



US00D713622S

(12) **United States Design Patent**
Steel

(10) **Patent No.:** **US D713,622 S**
(45) **Date of Patent:** **** Sep. 23, 2014**

- (54) **CAP**
- (71) Applicant: **Ned F. Steel**, Berthoud, CO (US)
- (72) Inventor: **Ned F. Steel**, Berthoud, CO (US)
- (**) Term: **14 Years**
- (21) Appl. No.: **29/474,032**
- (22) Filed: **May 6, 2014**
- (51) **LOC (10) Cl.** **02-03**
- (52) **U.S. Cl.**
USPC **D2/882; D2/866**
- (58) **Field of Classification Search**
CPC A42B 1/006; A42B 1/02
USPC D2/865, 866, 878, 879, 880, 881, 882,
D2/883, 884, 886, 888, 891, 893, 894,
D2/895; D24/110.3, 110.4; 2/171, 183,
2/175.1, 175.3, 175.7, 195.1, 195.2,
2/195.3, 195.4, 195.7, 200.1, 209.11,
2/209.12, 209.13, 209.3, 209.4, 209.7;
128/207.11
See application file for complete search history.

D416,665	S	*	11/1999	Jones	D2/874
D425,688	S	*	5/2000	Richlin	D2/865
D427,751	S	*	7/2000	Richlin	D2/866
6,505,623	B1	*	1/2003	Hansen	128/207.11
D549,931	S	*	9/2007	Melton	D2/882
7,454,799	B2	*	11/2008	Wuensche et al.	2/172
D654,252	S	*	2/2012	Denny	D2/887
8,613,114	B1	*	12/2013	Olivares Velasco	2/411
2002/0095715	A1	*	7/2002	Hong	2/209.11
2003/0233696	A1	*	12/2003	Lee	2/195.2
2007/0271679	A1	*	11/2007	Wysopal	2/209.13
2009/0100559	A1	*	4/2009	Christian	2/10
2011/0041238	A1	*	2/2011	Brzoska	2/209.13
2011/0099690	A1	*	5/2011	Higgins et al.	2/171

* cited by examiner

Primary Examiner — Karen E Eldridge Powers

(74) *Attorney, Agent, or Firm* — William E. Hein

(57) **CLAIM**

The ornamental design for a cap, as shown and described.

DESCRIPTION

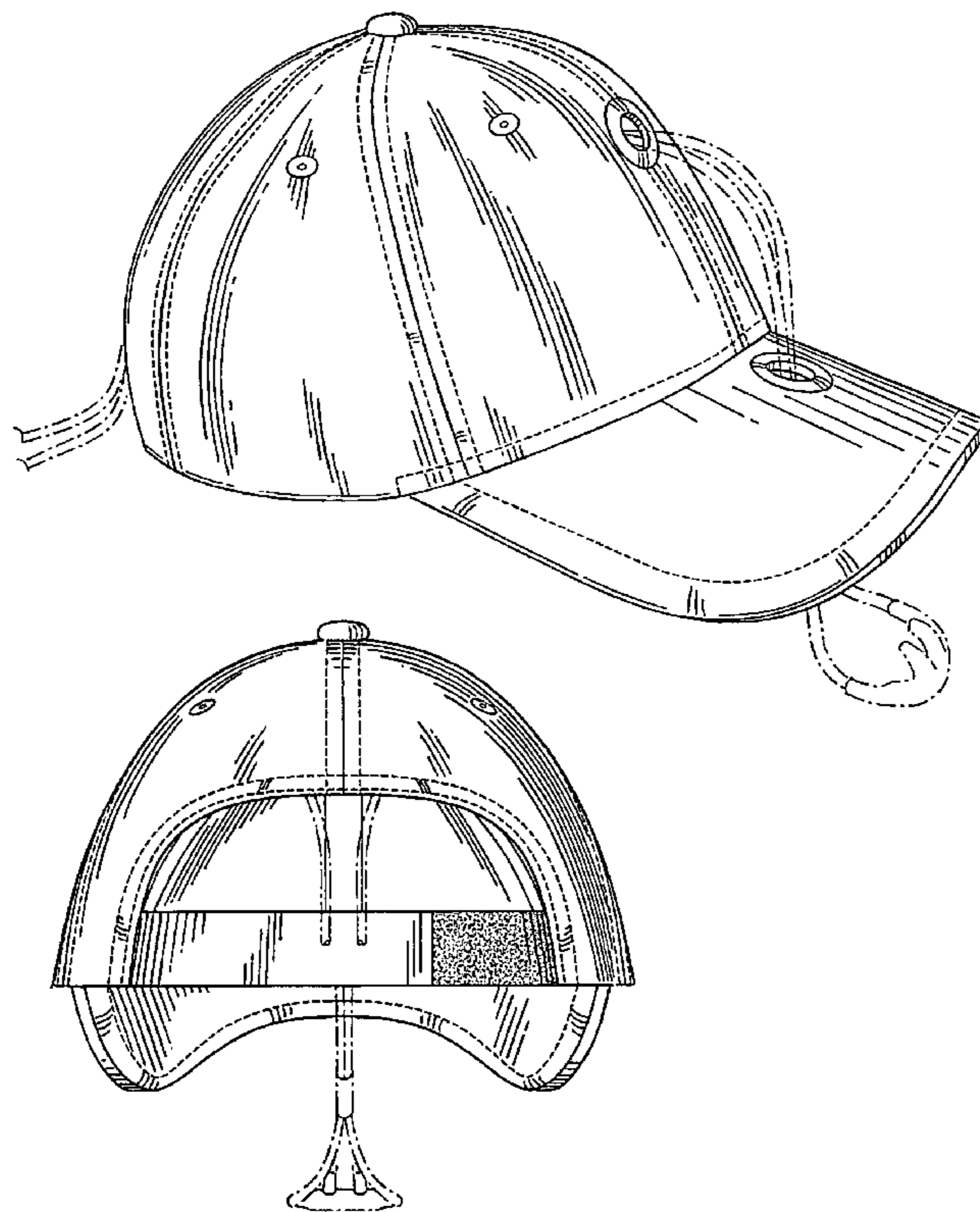
FIG. 1 is a perspective view of a cap showing my new design;
 FIG. 2 is a left side elevation view;
 FIG. 3 is a right side elevation view;
 FIG. 4 is a front elevation view;
 FIG. 5 is a rear elevation view;
 FIG. 6 is a top plan view; and,
 FIG. 7 is a bottom plan view.

The broken lines showing an oxygen line and nasal cannula are for the purpose of illustrating environmental structure forming no part of the claimed design.

1 Claim, 4 Drawing Sheets

(56) **References Cited**
U.S. PATENT DOCUMENTS

4,628,543	A	*	12/1986	Hunt	2/19
5,507,205	A	*	4/1996	Ruimi	74/558
5,509,145	A	*	4/1996	Stevenson et al.	2/195.1
D394,136	S	*	5/1998	Richlin	D2/866
5,901,371	A	*	5/1999	Lee	2/10



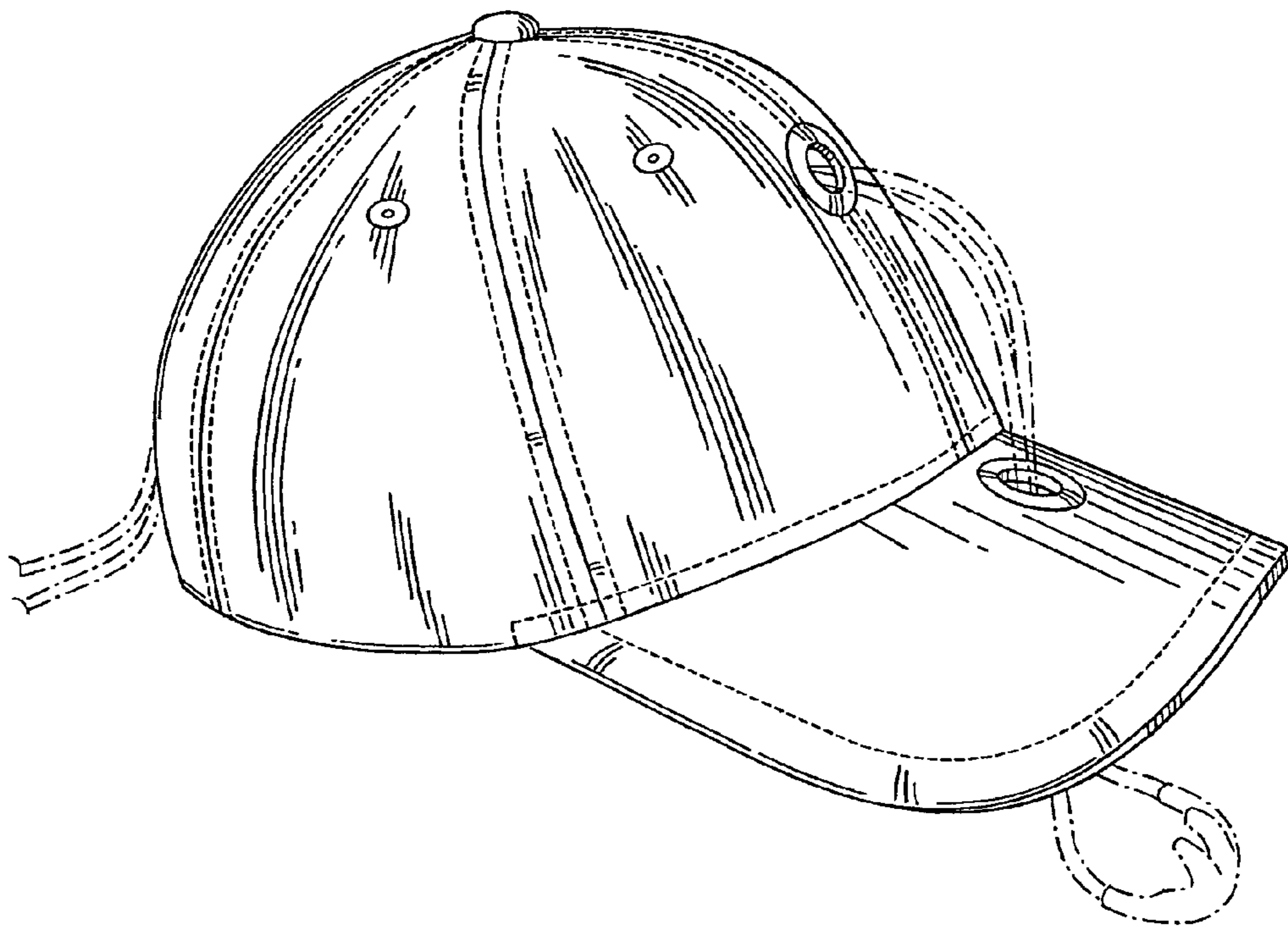


FIG.1

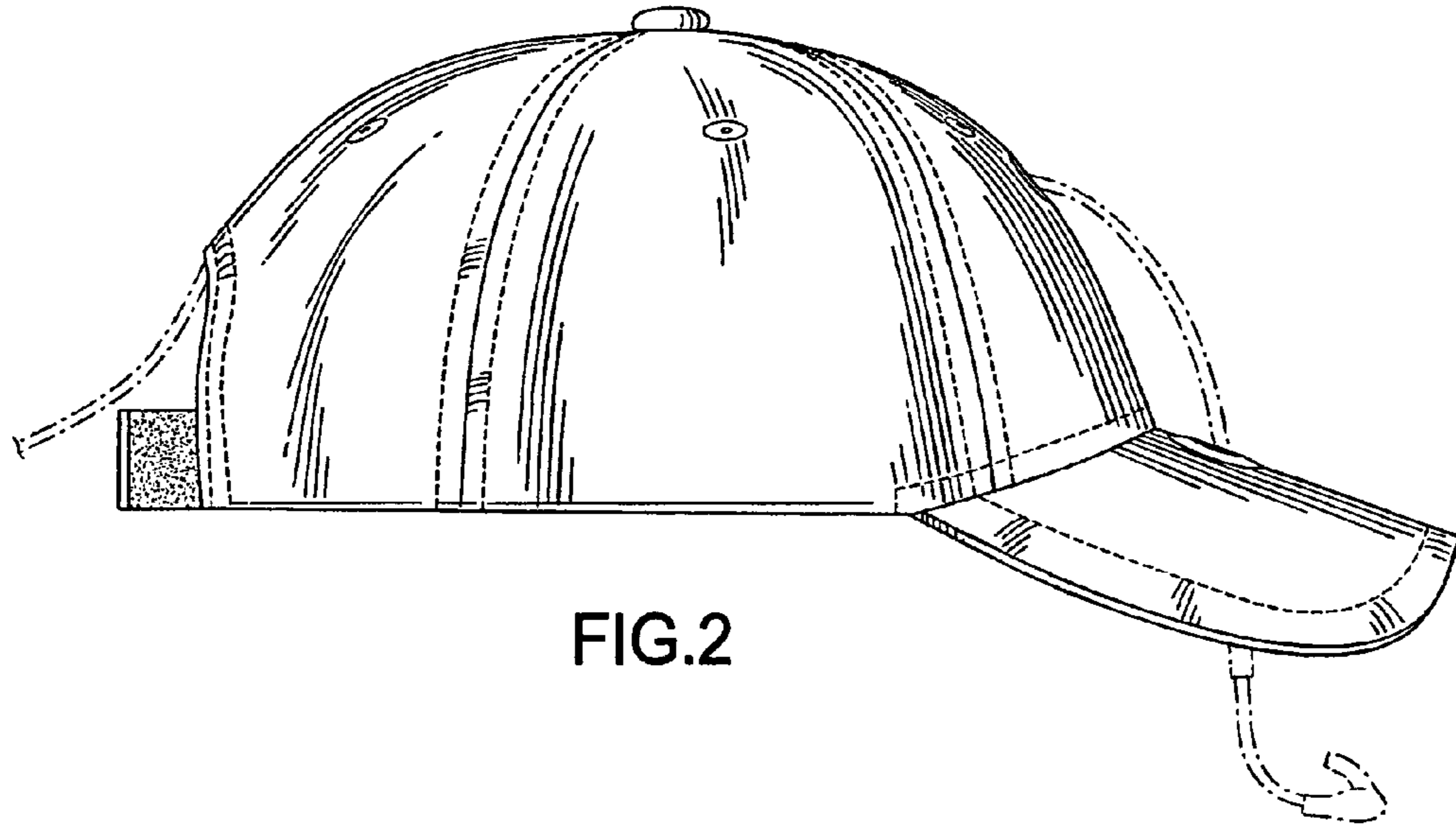


FIG.2

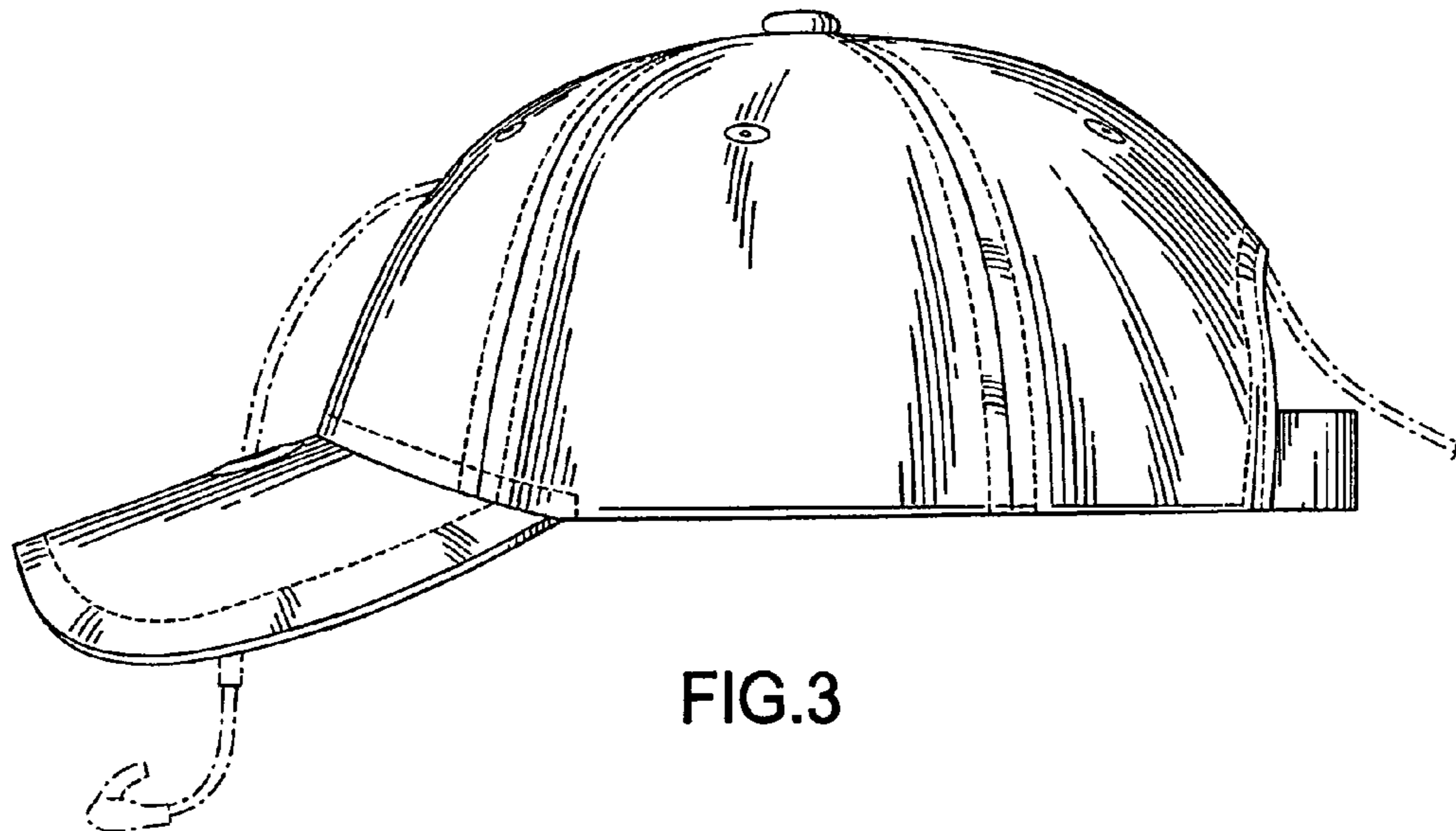


FIG.3

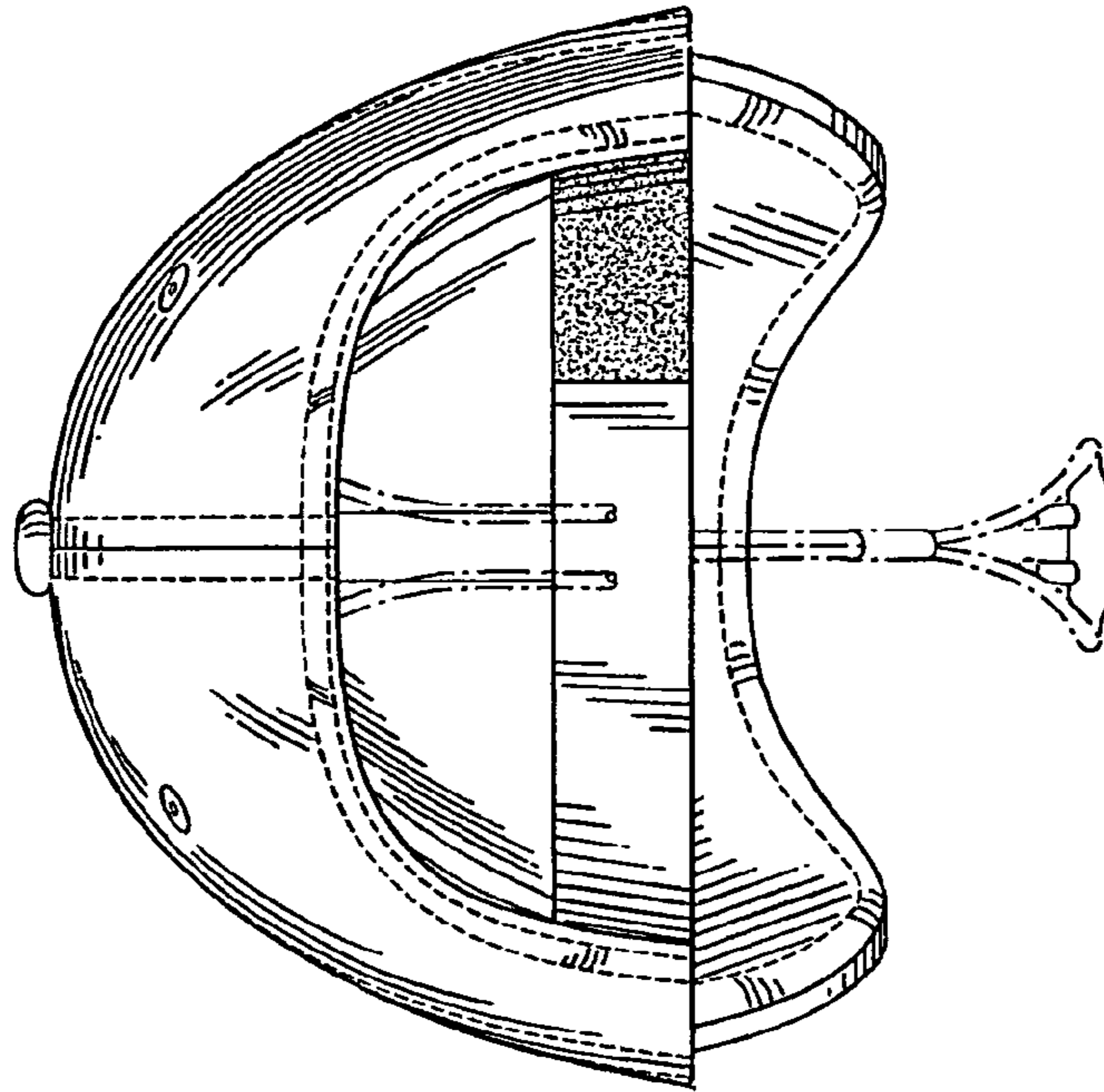


FIG.5

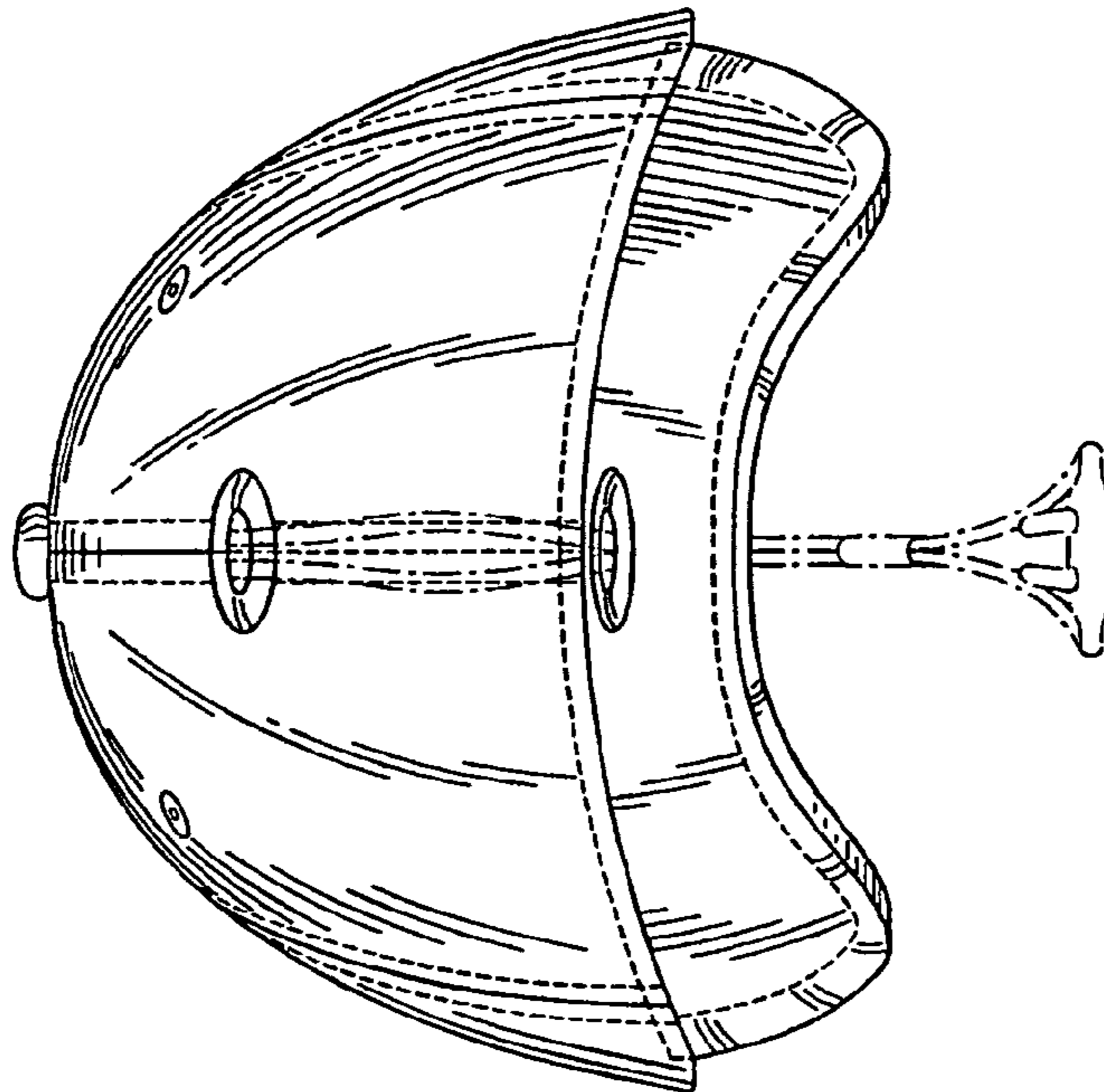


FIG.4

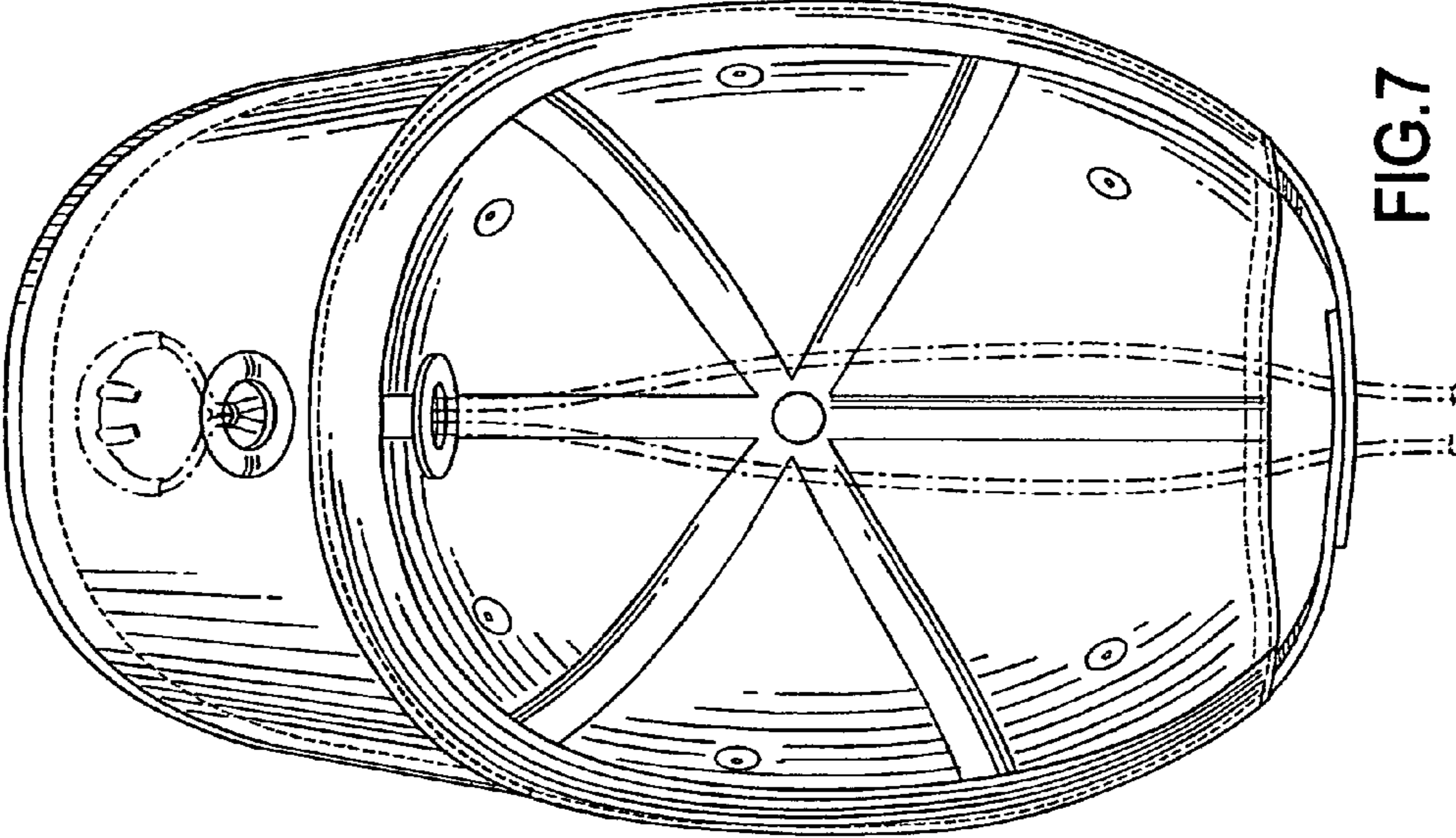


FIG.7

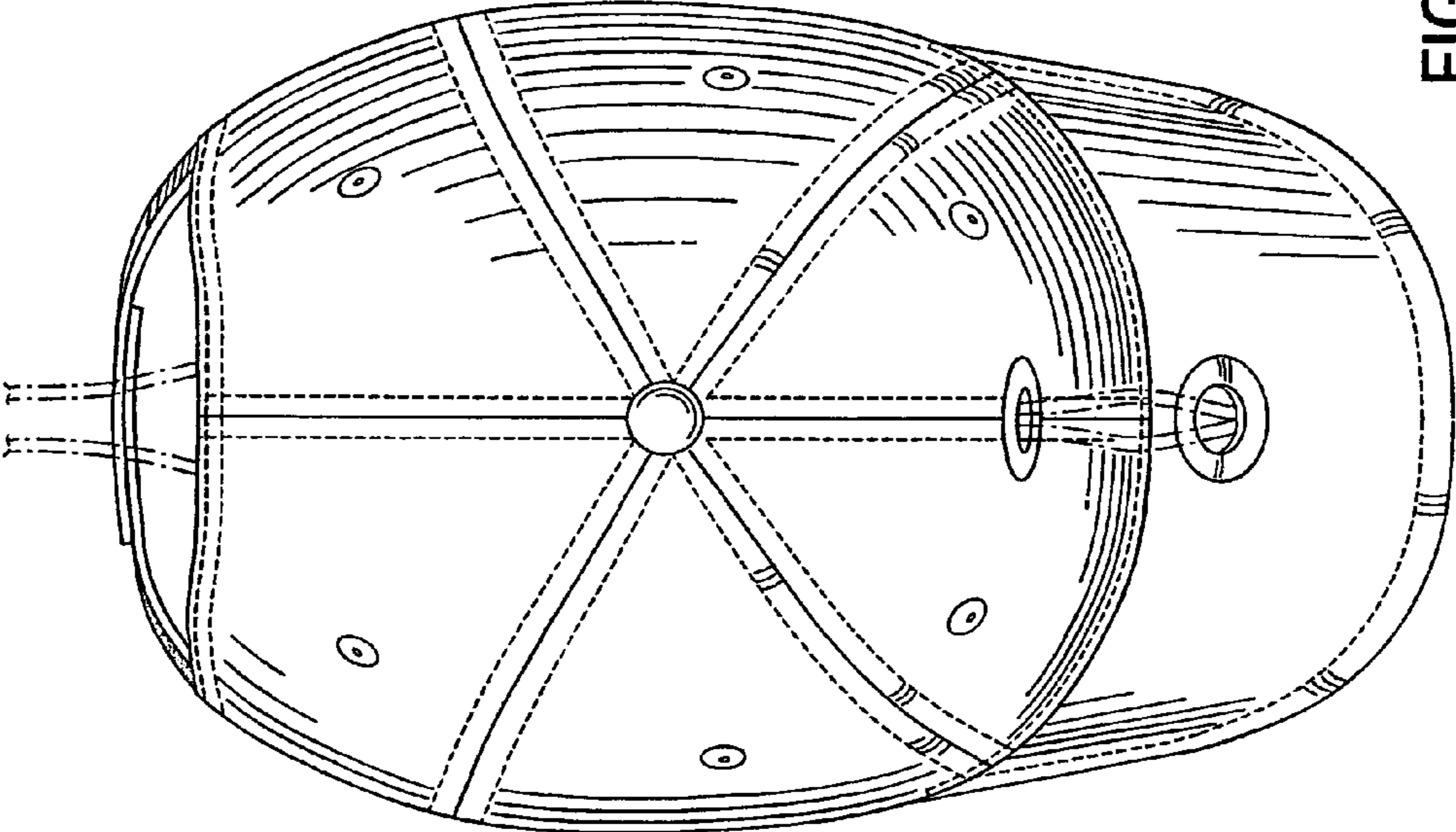


FIG.6