



US00D713614S

(12) **United States Design Patent**
Steele

(10) **Patent No.:** **US D713,614 S**

(45) **Date of Patent:** **** Sep. 16, 2014**

- (54) **WALL-MOUNT MAILBOX**
- (71) Applicant: **Architectural Mailboxes, LLC**,
Redondo Beach, CA (US)
- (72) Inventor: **Craig R. Steele**, Hawthorne, CA (US)
- (73) Assignee: **Architectural Mailboxes, LLC**,
Redondo Beach, CA (US)
- (**) Term: **14 Years**
- (21) Appl. No.: **29/451,474**
- (22) Filed: **Apr. 2, 2013**
- (51) **LOC (10) Cl.** **99-00**
- (52) **U.S. Cl.**
USPC **D99/33**
- (58) **Field of Classification Search**
CPC A47G 29/14; A47G 29/141; A47G 29/16;
A47G 29/12; A47G 29/1201; A47G 29/1203;
A47G 29/1207; A47G 29/1209; A47G
29/1218; A45C 1/12; E05G 1/005; E05G
2700/00; E05G 2700/02; G07F 9/06; G07D
11/0006; G07D 11/0009; G07C 13/02
USPC D99/28, 29, 31, 32, 33, 99; D8/330,
D8/331; D20/1, 2, 6; 109/1 R, 1 V, 45, 58,
109/59 R, 66; 70/63, 77, 78; 232/1 A, 1 R,
232/1 C, 1 D, 1 E, 4 R, 2, 6, 17, 19, 20, 21,
232/24, 27, 30, 31, 45; 312/35, 215
See application file for complete search history.

D145,608 S *	9/1946	Alerks	D99/33
D148,958 S *	3/1948	Robinette	D99/33
D154,470 S *	7/1949	Gieseler	D99/33
2,578,691 A *	12/1951	Gieseler	232/38
2,578,692 A *	12/1951	Gieseler	232/19
D169,076 S *	3/1953	Lindberg	D99/33
D170,642 S *	10/1953	Lindberg	D99/33
D170,875 S *	11/1953	Levine	D99/33
D183,942 S *	11/1958	Masso	D99/33
2,860,830 A *	11/1958	Mrenza	232/17
D189,169 S *	11/1960	Blumenthal	D99/33
3,325,091 A *	6/1967	Marillo	232/17
3,749,302 A *	7/1973	White	232/19
D410,850 S *	6/1999	Lio	D99/33
D442,348 S *	5/2001	Cavero et al.	D99/33
D444,609 S *	7/2001	Cavero et al.	D99/33
D450,170 S *	11/2001	Gaines et al.	D99/33
D678,655 S *	3/2013	Farentinos et al.	D99/33

* cited by examiner

Primary Examiner — Elizabeth J Oswecki

(74) *Attorney, Agent, or Firm* — Vista IP Law Group LLP

(57) **CLAIM**

The ornamental design for a wall-mount mailbox, as shown and described.

DESCRIPTION

FIG. 1 is a front perspective view of a wall-mount mailbox showing my new design;
 FIG. 2 is a front view thereof;
 FIG. 3 is a back view thereof;
 FIG. 4 is a right side view thereof;
 FIG. 5 is a left side view thereof;
 FIG. 6 is a top plan view thereof; and,
 FIG. 7 is a bottom plan view thereof.

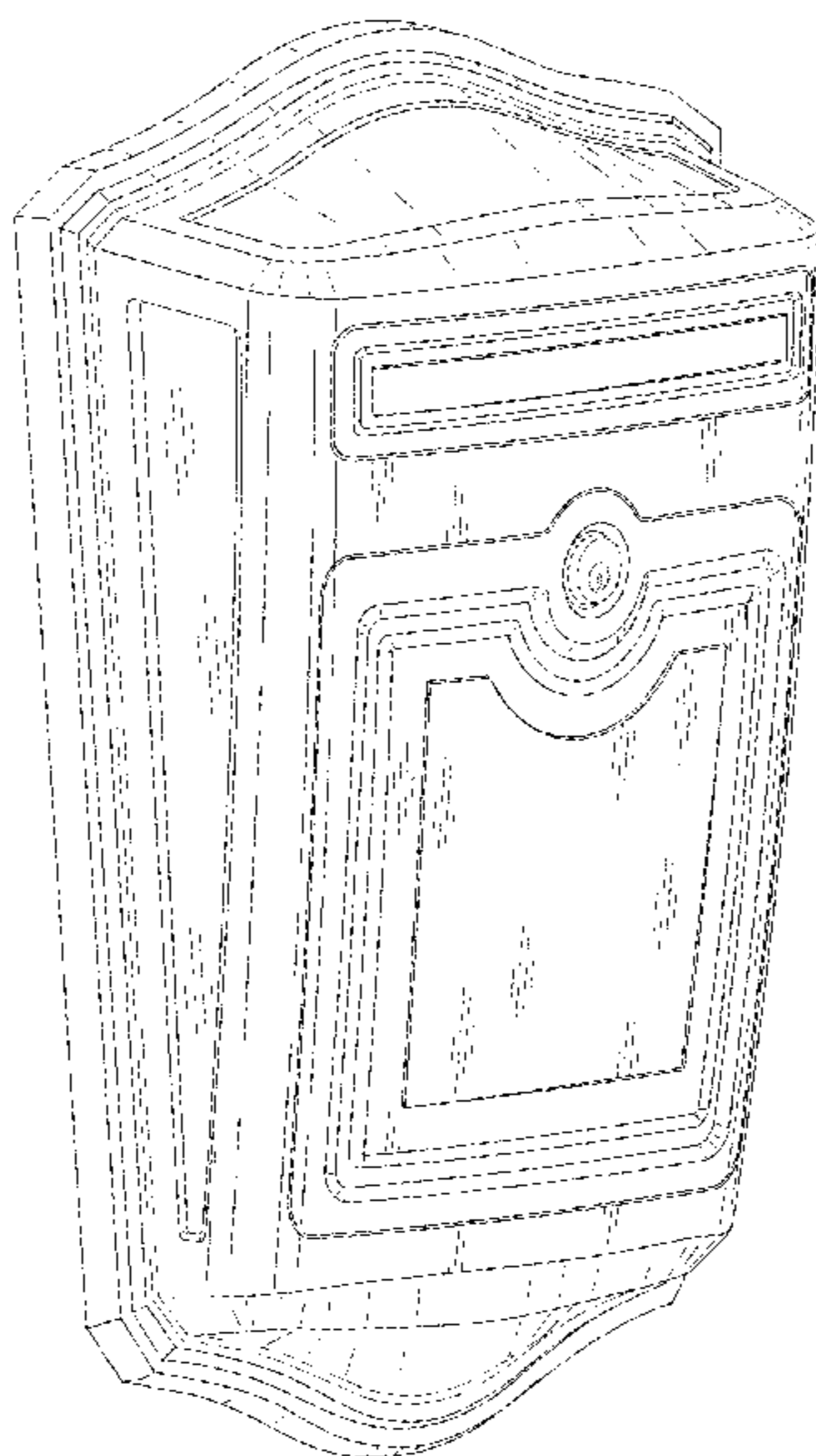
The dotted lines in the drawings form no part of the claimed design, but are shown to help illustrate an environment in which the claimed design may be used.

1 Claim, 5 Drawing Sheets

(56) **References Cited**

U.S. PATENT DOCUMENTS

D39,569 S *	9/1908	Baldwin	D99/33
D42,095 S *	1/1912	Baldwin	D99/33
D83,008 S *	1/1931	Reimer	D99/33
D84,494 S *	6/1931	Reimer	D99/33
D144,631 S *	5/1946	Ocone	D99/33



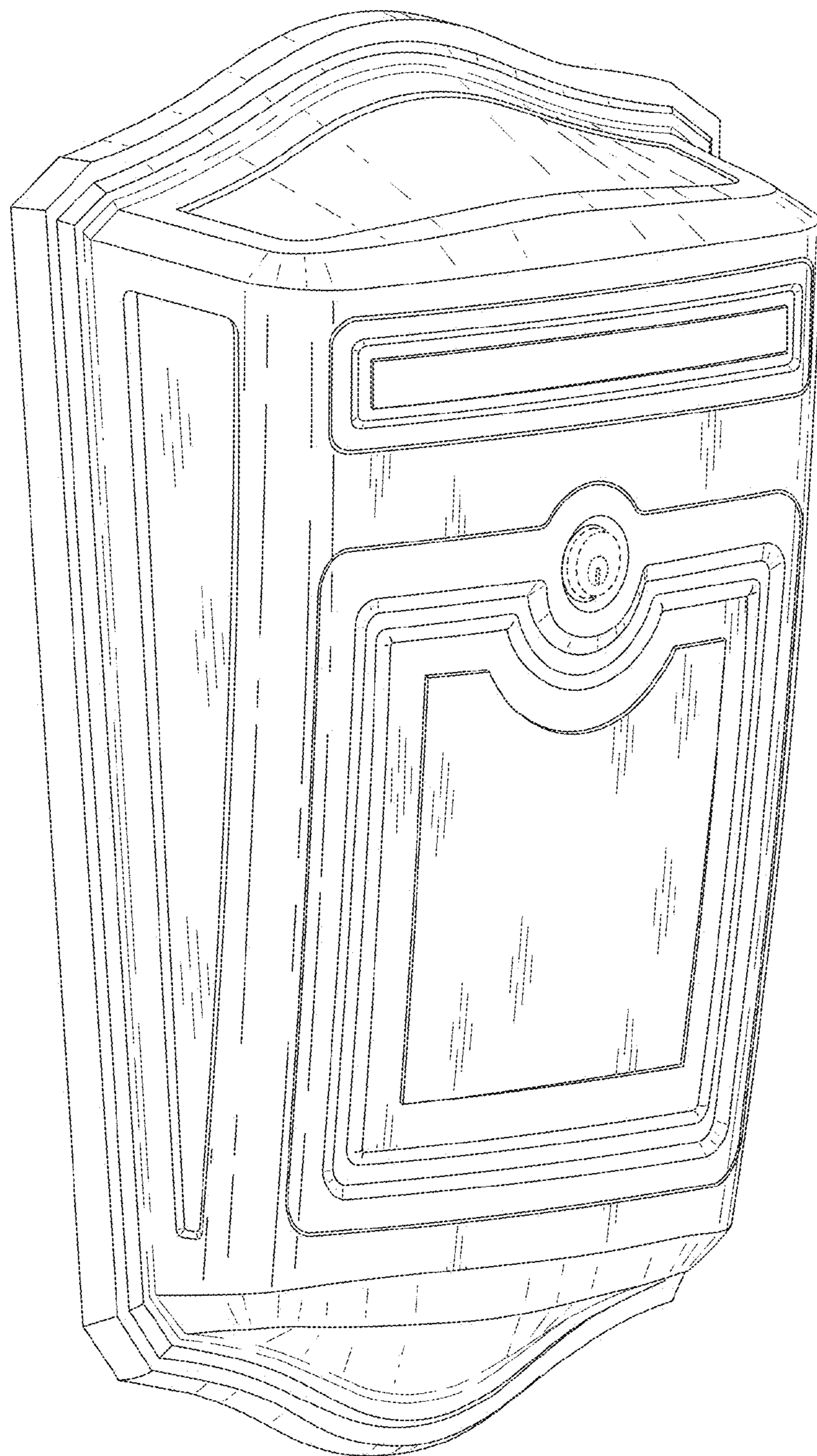


Fig. 1

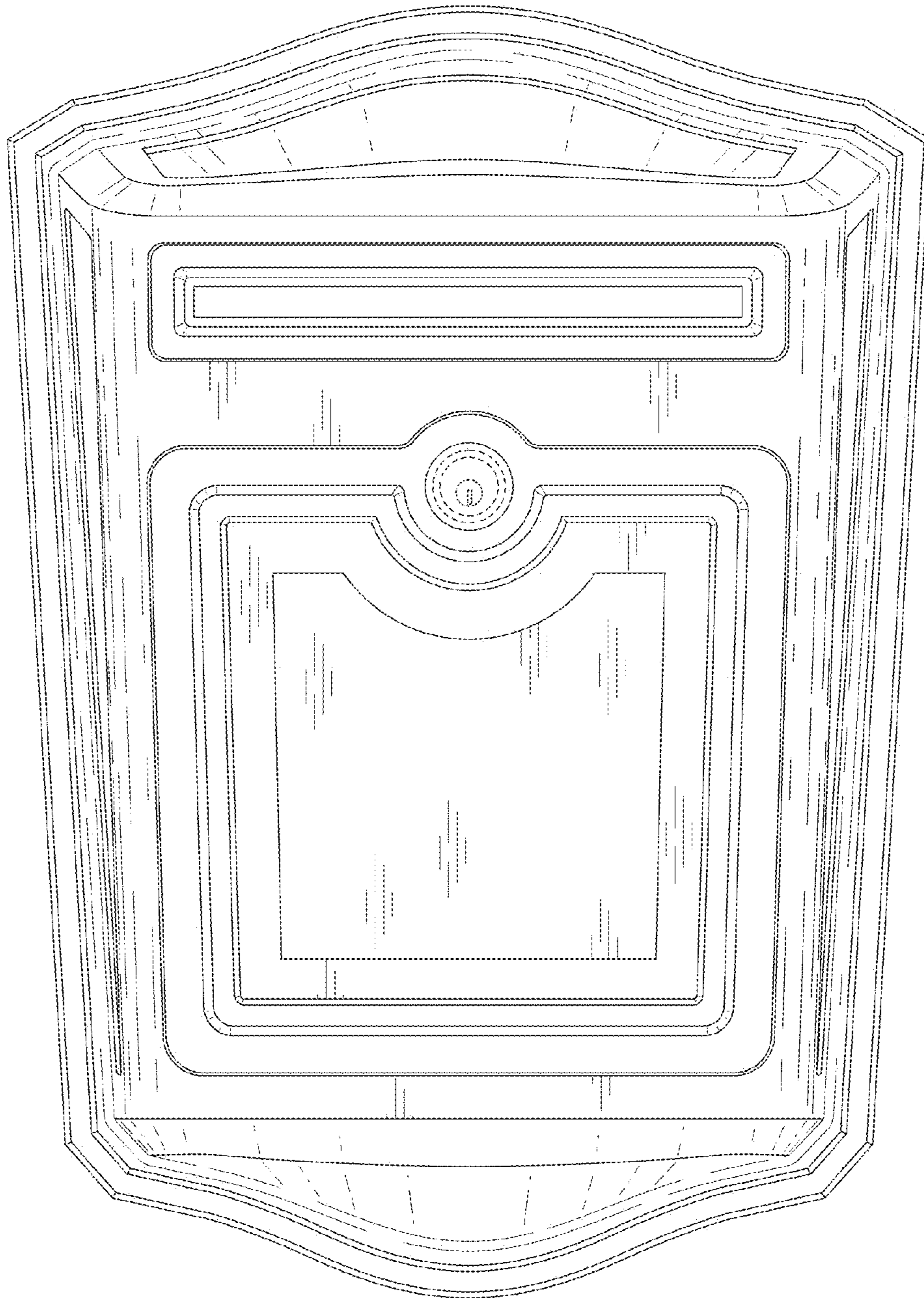


Fig. 2

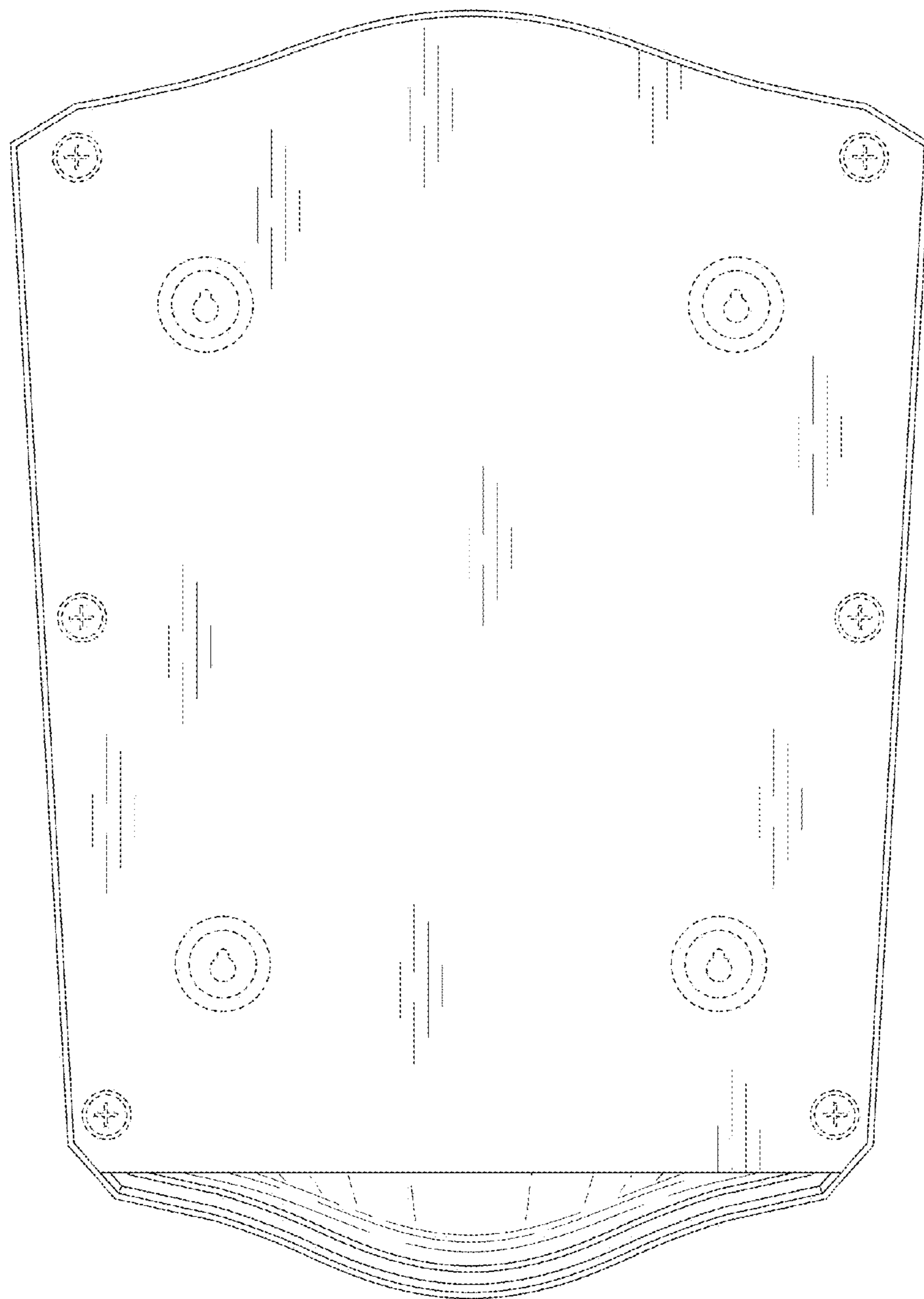


Fig. 3

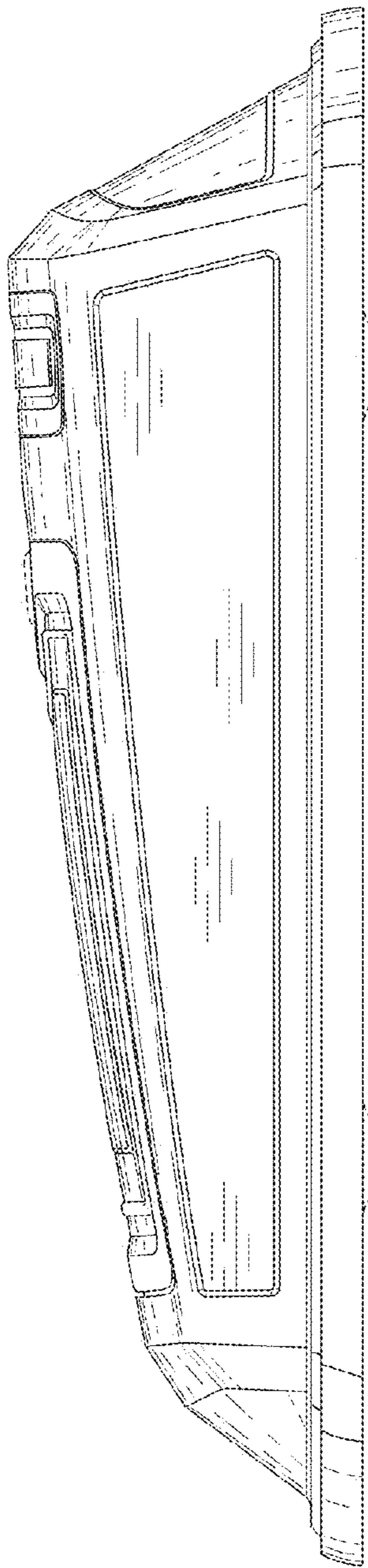


Fig. 4

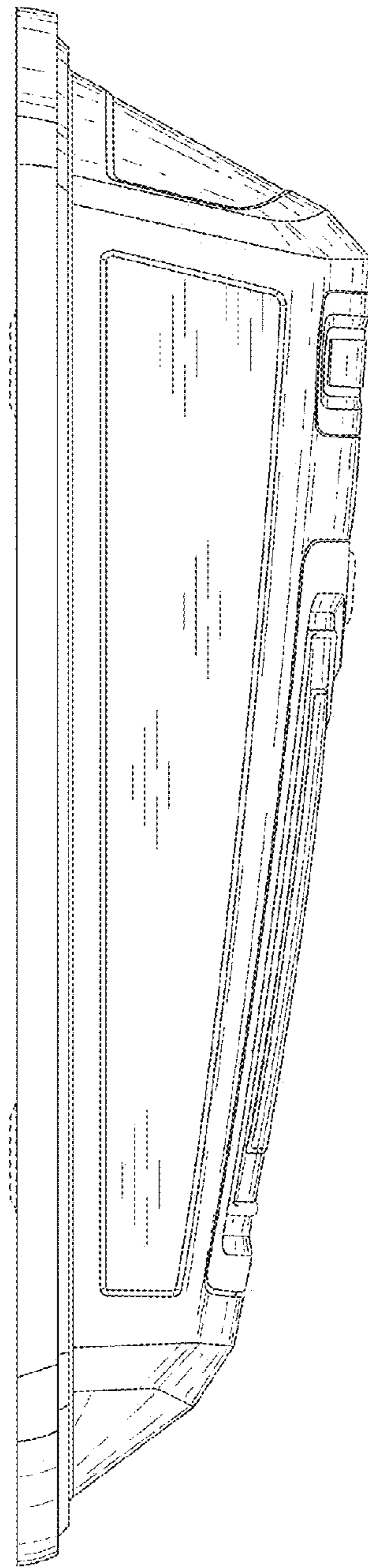


Fig. 5

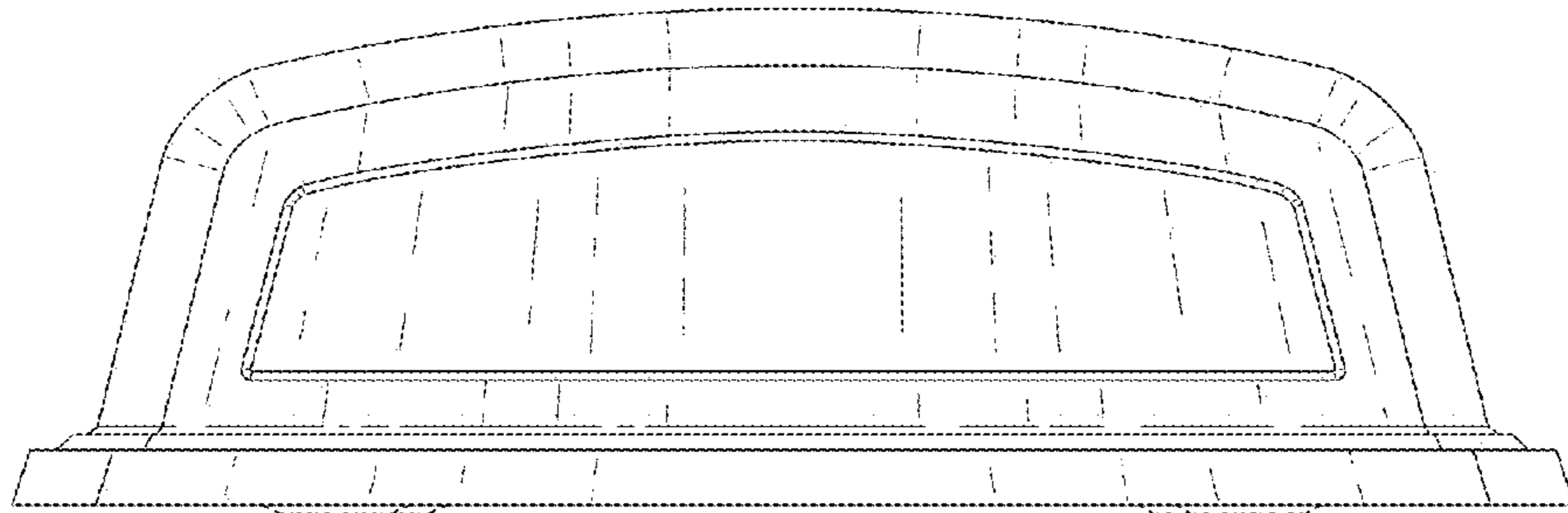


Fig. 6

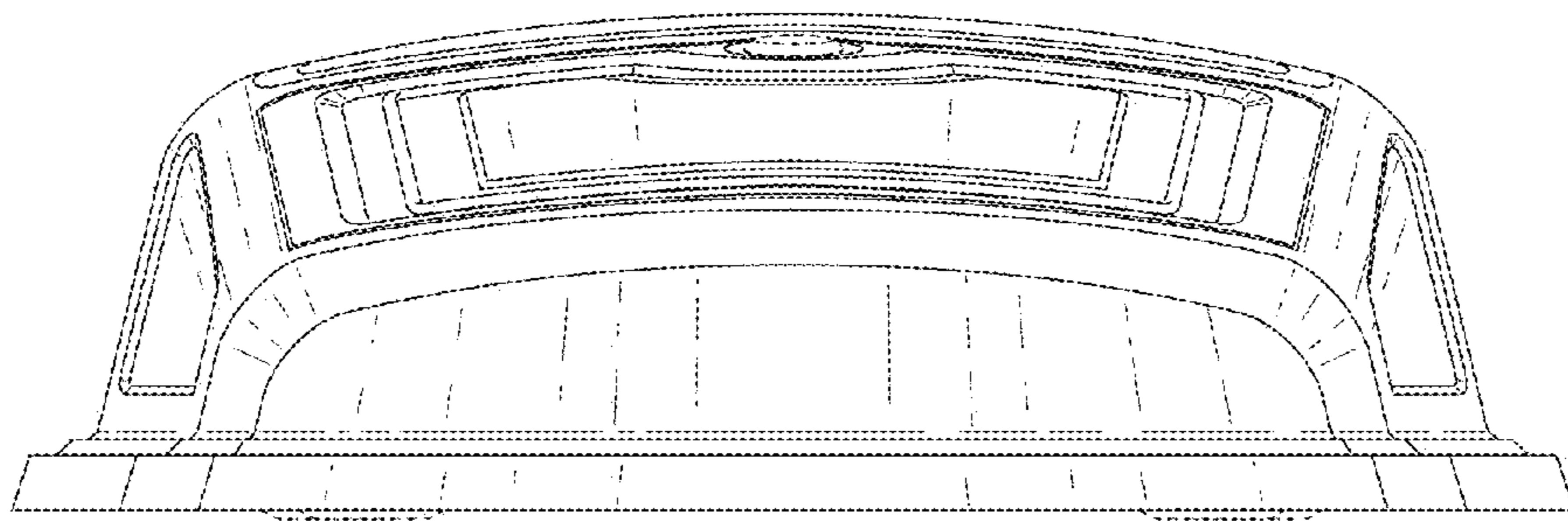


Fig. 7