



US00D713613S

(12) **United States Design Patent**
Miles

(10) **Patent No.:** **US D713,613 S**

(45) **Date of Patent:** **** Sep. 16, 2014**

(54) **ENGINE HOIST**

(71) Applicant: **Jerry A. Miles**, Bivins, TX (US)

(72) Inventor: **Jerry A. Miles**, Bivins, TX (US)

(**) Term: **14 Years**

(21) Appl. No.: **29/442,602**

(22) Filed: **Apr. 2, 2013**

(51) **LOC (10) Cl.** **12-05**

(52) **U.S. Cl.**
USPC **D34/33**

(58) **Field of Classification Search**

CPC B66C 23/50; B66C 23/36; B66C 23/48;
B66C 23/62; B66C 19/02; B66F 9/12; B66F
9/18; B66F 9/06; B66F 9/122; B66F 3/24;
B66F 3/0625; D66B 9/0869
USPC D34/28, 31, 33, 34, 35; 414/496, 550,
414/563, 543, 569; 452/187, 189; 254/325,
254/266, 2 R, 8 R; 212/294, 295, 901;
187/200, 244, 243

See application file for complete search history.

(56) **References Cited**

U.S. PATENT DOCUMENTS

3,854,594	A *	12/1974	Brookes	212/299
3,952,893	A *	4/1976	Kolesar	414/462
4,556,358	A *	12/1985	Harlan	414/550
4,635,903	A	1/1987	Broyden et al.		
4,710,090	A *	12/1987	DeLuca et al.	414/550
5,211,297	A *	5/1993	Vandervalk	212/294
D341,242	S *	11/1993	Thorby	D34/33
5,662,451	A *	9/1997	Muzzi et al.	414/540

5,752,799	A *	5/1998	Carey et al.	414/543
5,791,858	A *	8/1998	Sasser	414/462
5,979,602	A	11/1999	Grout		
D429,051	S *	8/2000	Porter	D34/33
6,202,868	B1 *	3/2001	Murray	212/294
7,014,172	B2	3/2006	Kataoka		
7,537,088	B2	5/2009	Spitsbergen		
D683,515	S *	5/2013	Decker	D34/33
2013/0075353	A1 *	3/2013	Thompson	212/180

* cited by examiner

Primary Examiner — Cynthia Ramirez

(74) *Attorney, Agent, or Firm* — Paul R. Martin

(57) **CLAIM**

The ornamental design for an engine hoist, as shown and described.

DESCRIPTION

FIG. 1 is perspective view of the engine hoist of my new design.

FIG. 2 is a front elevational view thereof. The opposite or back side elevational view is a mirror image thereof.

FIG. 3 is an elevational view of right end thereof, as shown in FIG. 2.

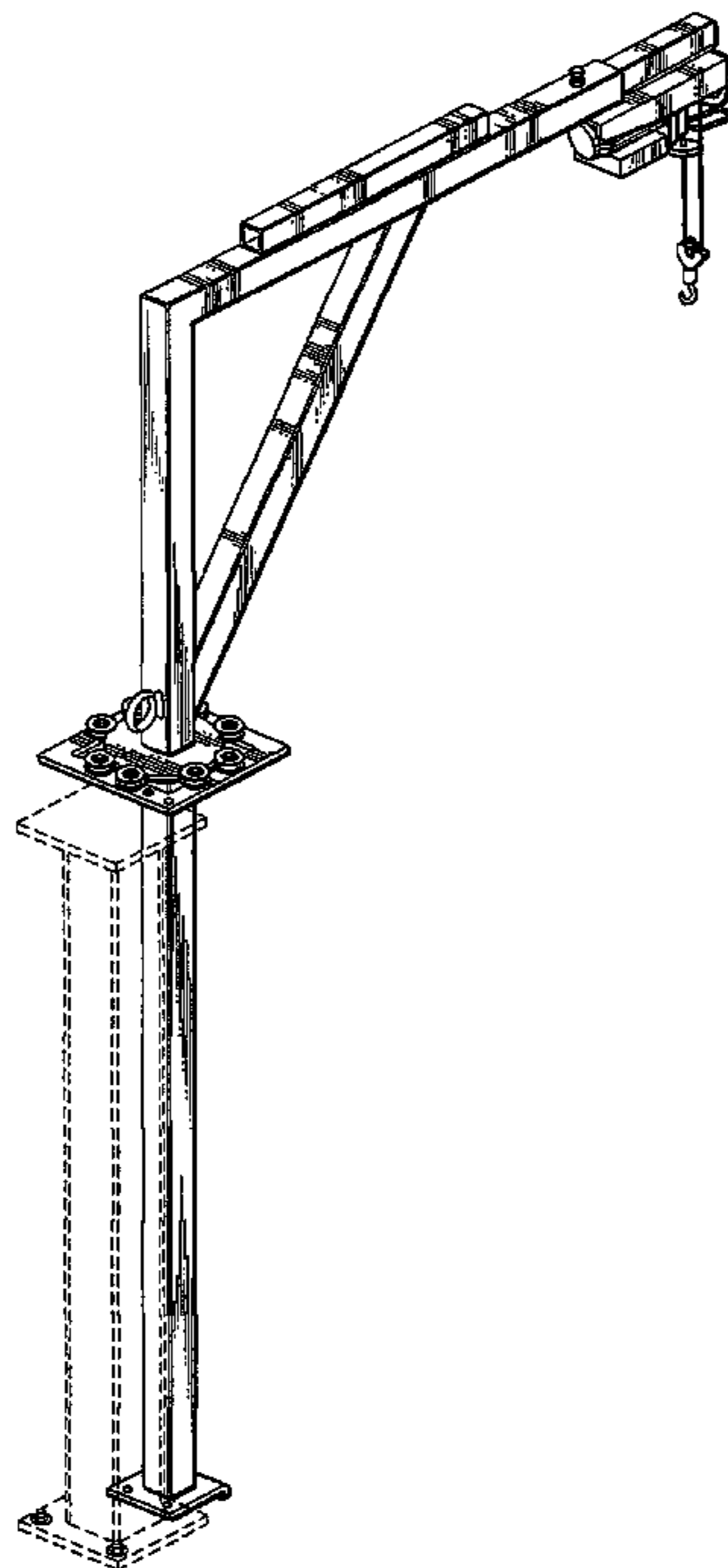
FIG. 4 is an elevational view of the left end thereof, as shown in FIG. 2.

FIG. 5 is a top plan view thereof; and,

FIG. 6 is a bottom plan view thereof.

The broken line supporting structure shown in FIG. 1, is an environmental element, and is not part of my new design.

1 Claim, 4 Drawing Sheets



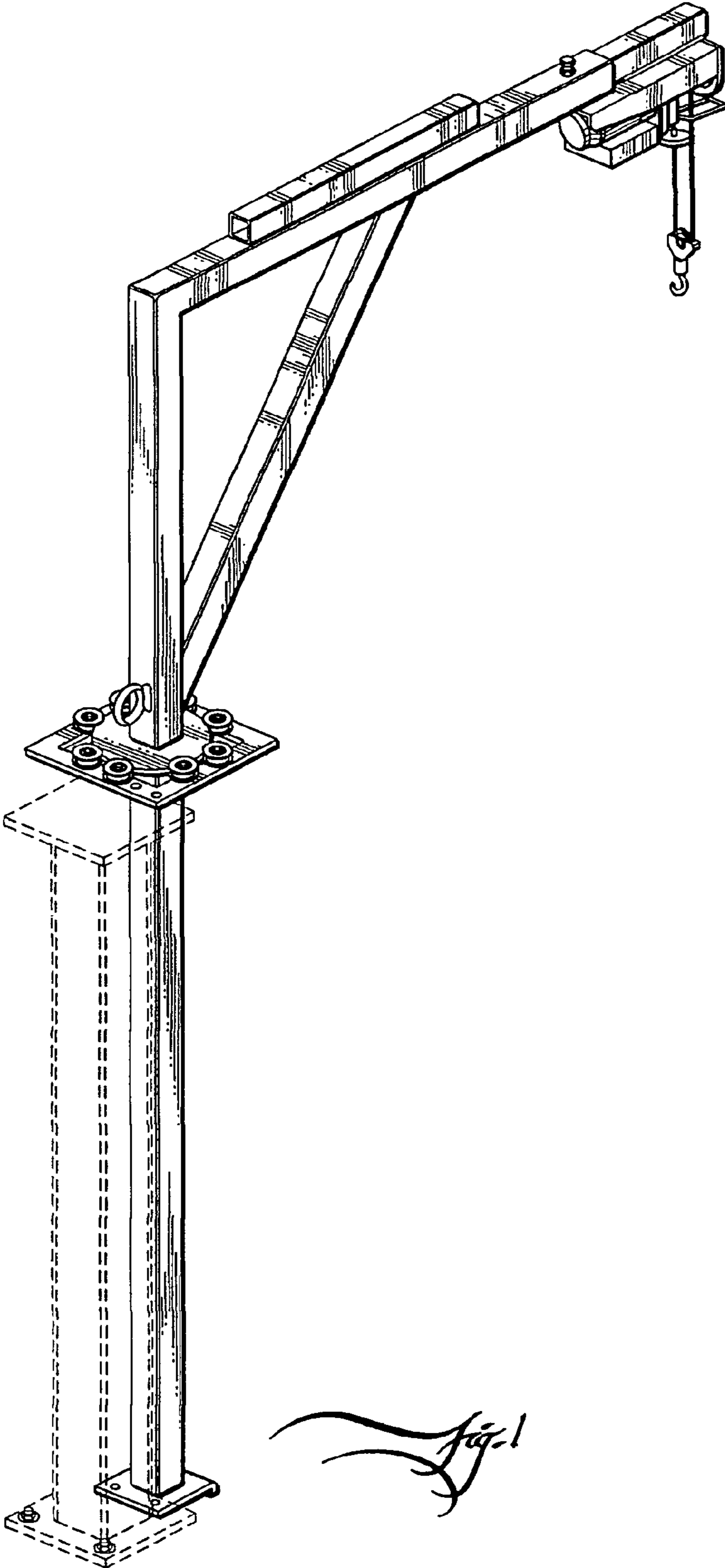
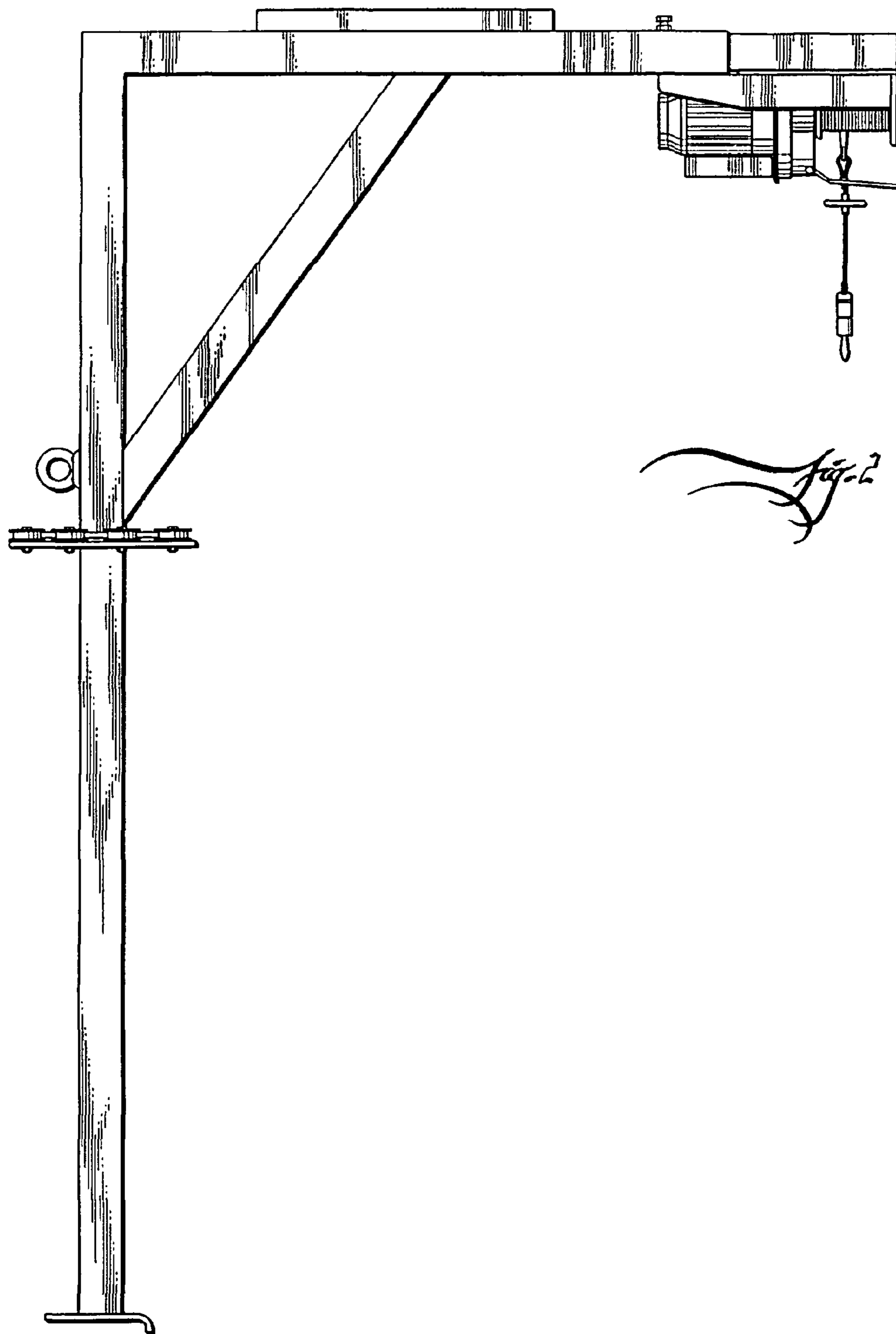


Fig. 1



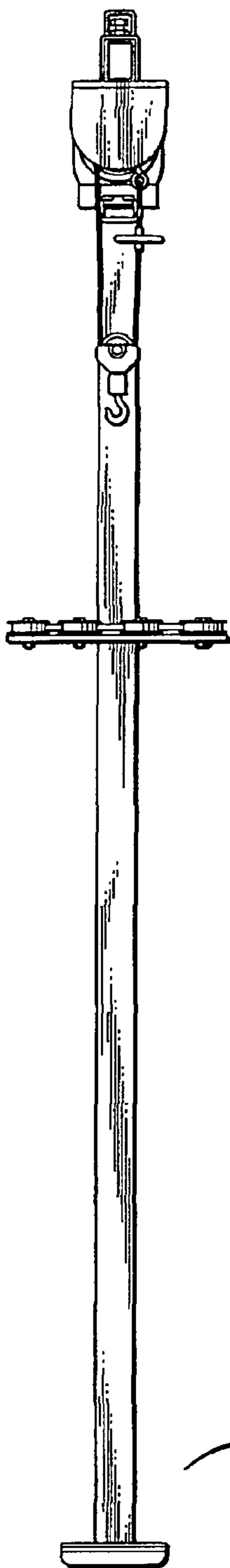


Fig. 3

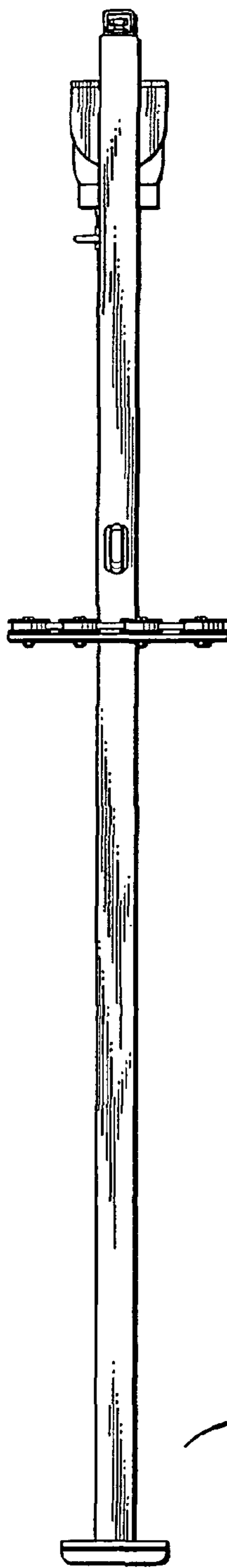


Fig. 4

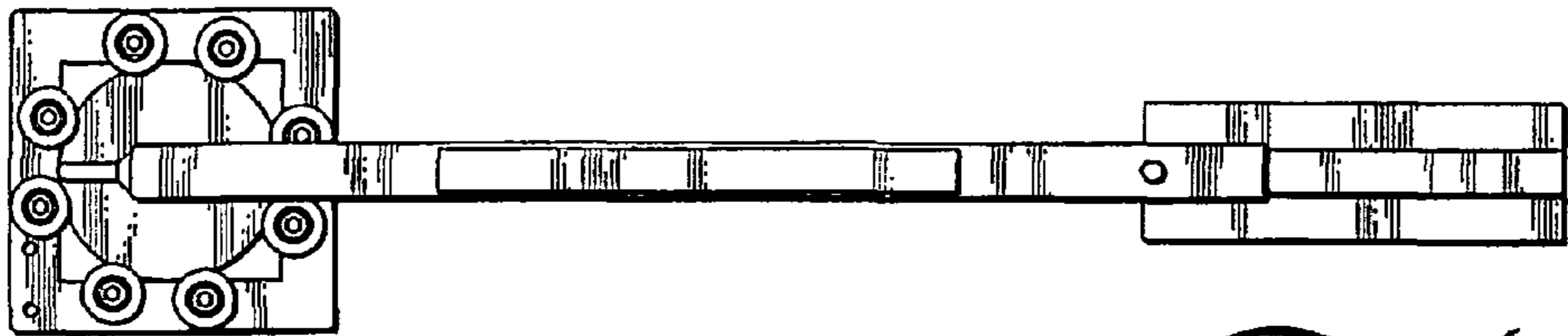


Fig. 5

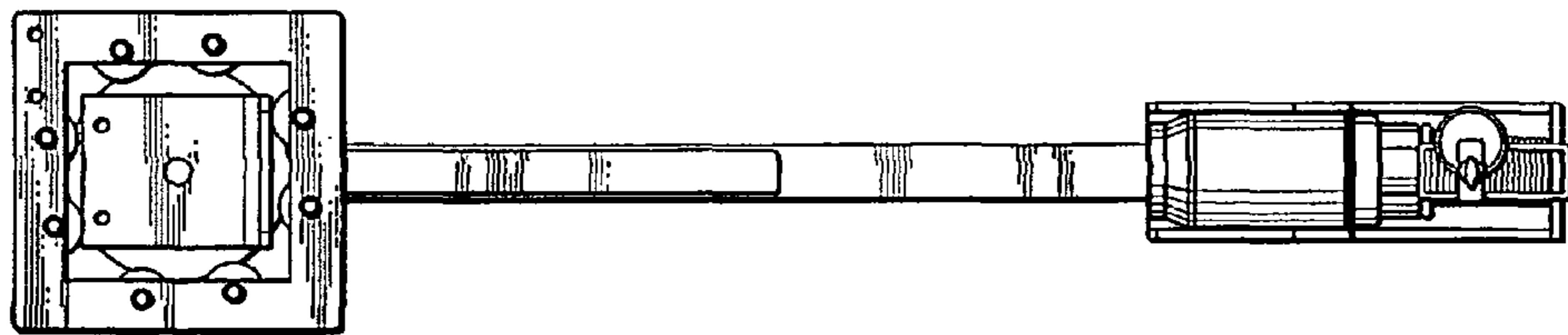


Fig. 6