



US00D713611S

(12) **United States Design Patent**  
**Yun et al.**

(10) **Patent No.:** **US D713,611 S**

(45) **Date of Patent:** **\*\* Sep. 16, 2014**

(54) **VACUUM CLEANER**

(71) Applicant: **Samsung Electronics Co., Ltd.**,  
Suwon-si (KR)

(72) Inventors: **Deok-Sang Yun**, Ahnsan-Si (KR);  
**Yeon-Young Nam**, Goyang-Si (KR);  
**Dong-Won Chun**, Paju-Si (KR)

(73) Assignee: **Samsung Electronics Co., Ltd.**,  
Suwon-si (KR)

(\*\*) Term: **14 Years**

(21) Appl. No.: **29/454,361**

(22) Filed: **May 9, 2013**

(30) **Foreign Application Priority Data**

Nov. 28, 2012 (KR) ..... 30-2012-0057007

(51) **LOC (10) Cl.** ..... **15-05**

(52) **U.S. Cl.**  
USPC ..... **D32/31**

(58) **Field of Classification Search**  
USPC ..... D32/21, 23-24, 31; 15/327.1-327.7,  
15/352, 353, 321, 347, 329; 55/429,  
55/DIG. 3, 337; D12/204, 207, 209, 13,  
D12/215; D21/563

See application file for complete search history.

(56) **References Cited**

U.S. PATENT DOCUMENTS

D445,226	S	*	7/2001	Jupp	.....	D32/21
6,484,350	B2	*	11/2002	Yung	.....	15/327.1
D534,696	S	*	1/2007	Choi	.....	D32/21
D550,908	S	*	9/2007	Shin	.....	D32/21
D550,909	S	*	9/2007	Shin	.....	D32/21
D550,910	S	*	9/2007	Shin	.....	D32/21
D552,310	S	*	10/2007	Shin	.....	D32/21
D556,400	S	*	11/2007	Houghton	.....	D32/21
7,555,808	B2	*	7/2009	Oh et al.	.....	15/327.2
D646,030	S	*	9/2011	Carr et al.	.....	D32/21
D646,031	S	*	9/2011	Carr et al.	.....	D32/21
2002/0069476	A1	*	6/2002	Yung	.....	15/352
2003/0208875	A1	*	11/2003	Ito et al.	.....	15/327.2
2006/0101610	A1	*	5/2006	Oh et al.	.....	15/327.2

\* cited by examiner

*Primary Examiner* — Ruth McInroy

(74) *Attorney, Agent, or Firm* — NSIP Law

(57) **CLAIM**

We claim the ornamental design for a vacuum cleaner, as shown and described.

**DESCRIPTION**

FIG. 1 is a perspective view of a vacuum cleaner, showing our new design;  
FIG. 2 is a front view thereof;  
FIG. 3 is a rear view thereof;  
FIG. 4 is a left-side view thereof;  
FIG. 5 is a right-side view thereof;  
FIG. 6 is a top plan view thereof; and,  
FIG. 7 is a bottom plan view thereof.  
The broken lines are for environmental purposes only and form no part of the claimed design.

**1 Claim, 7 Drawing Sheets**

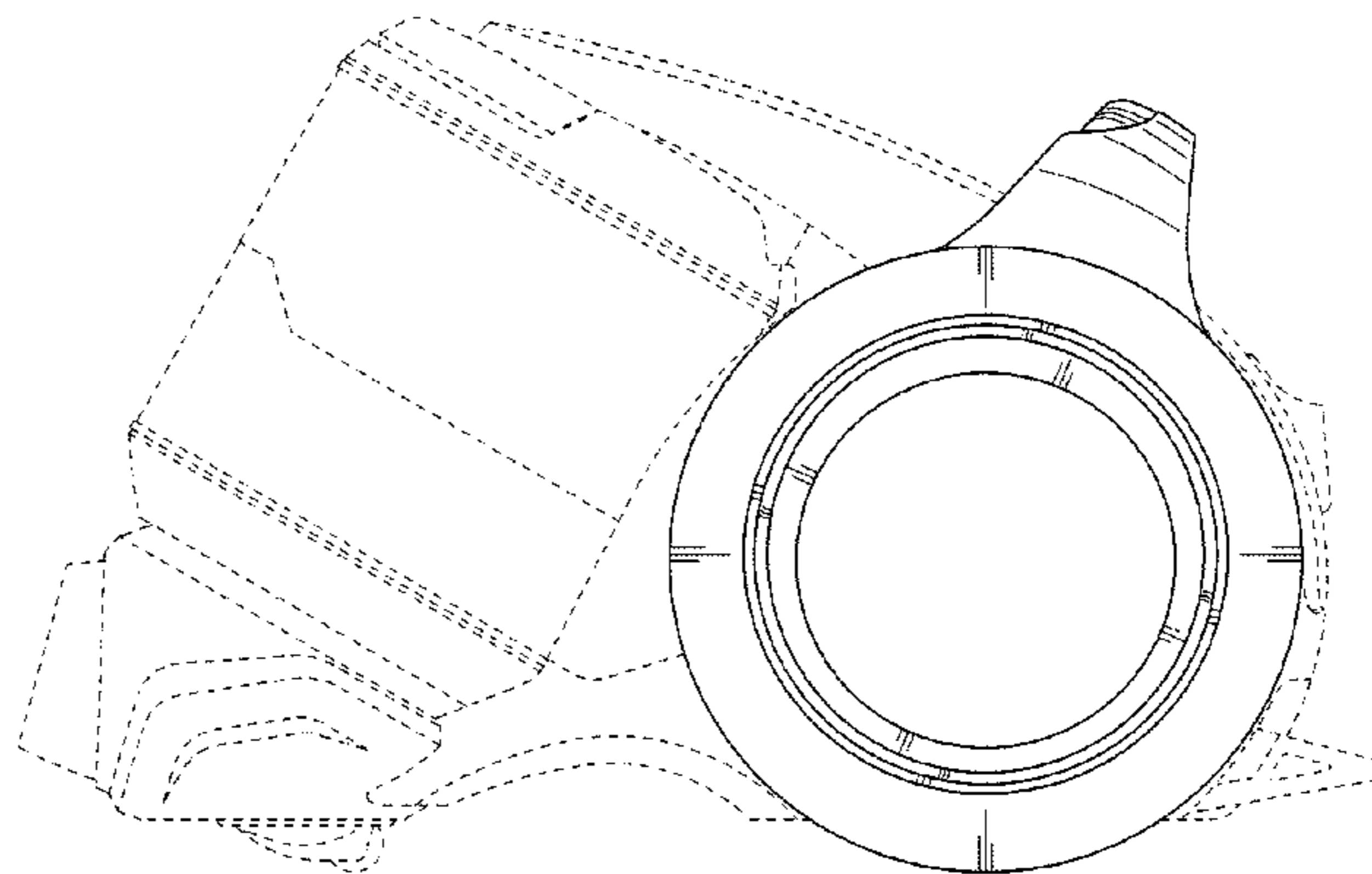
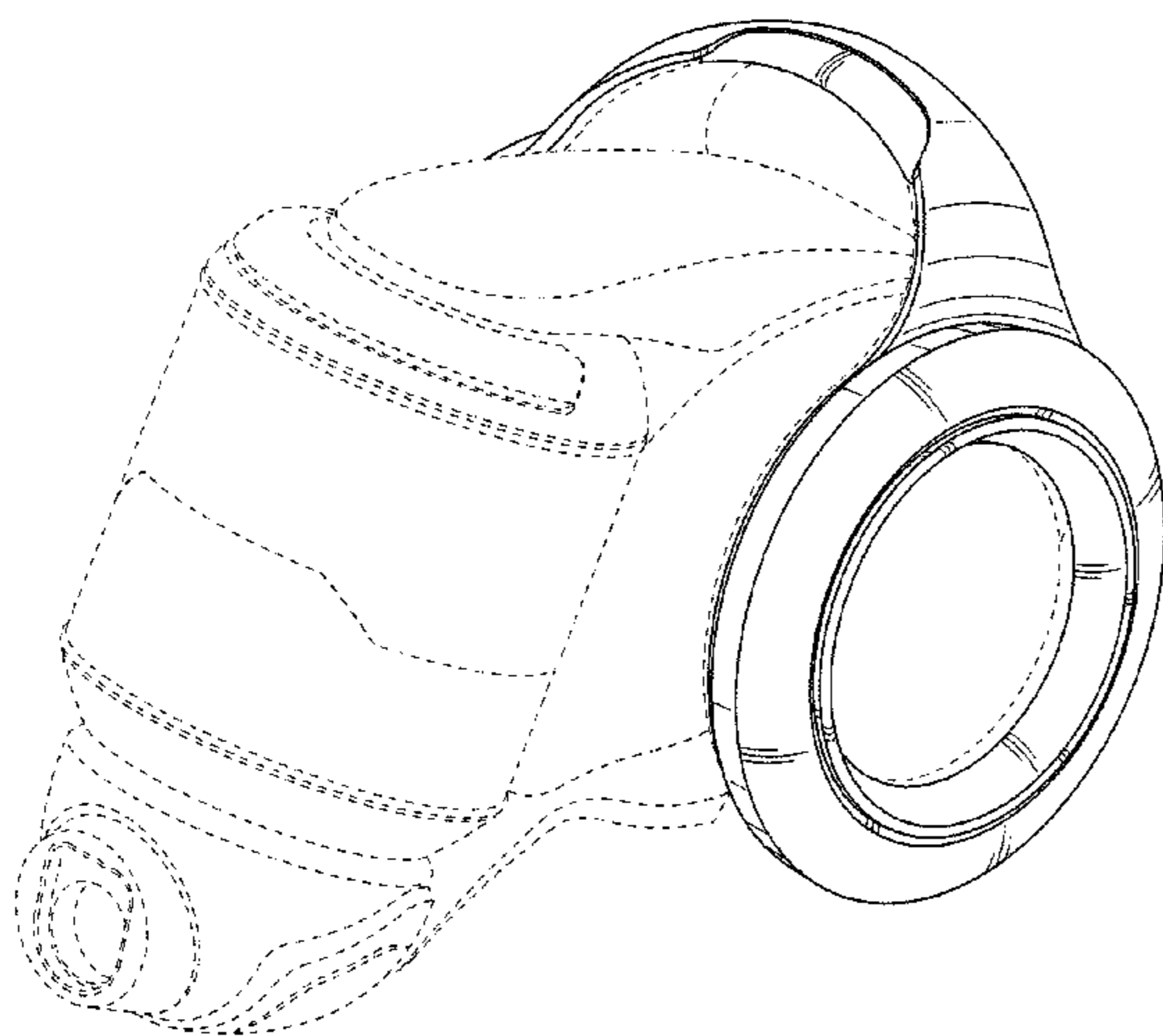


FIG. 1

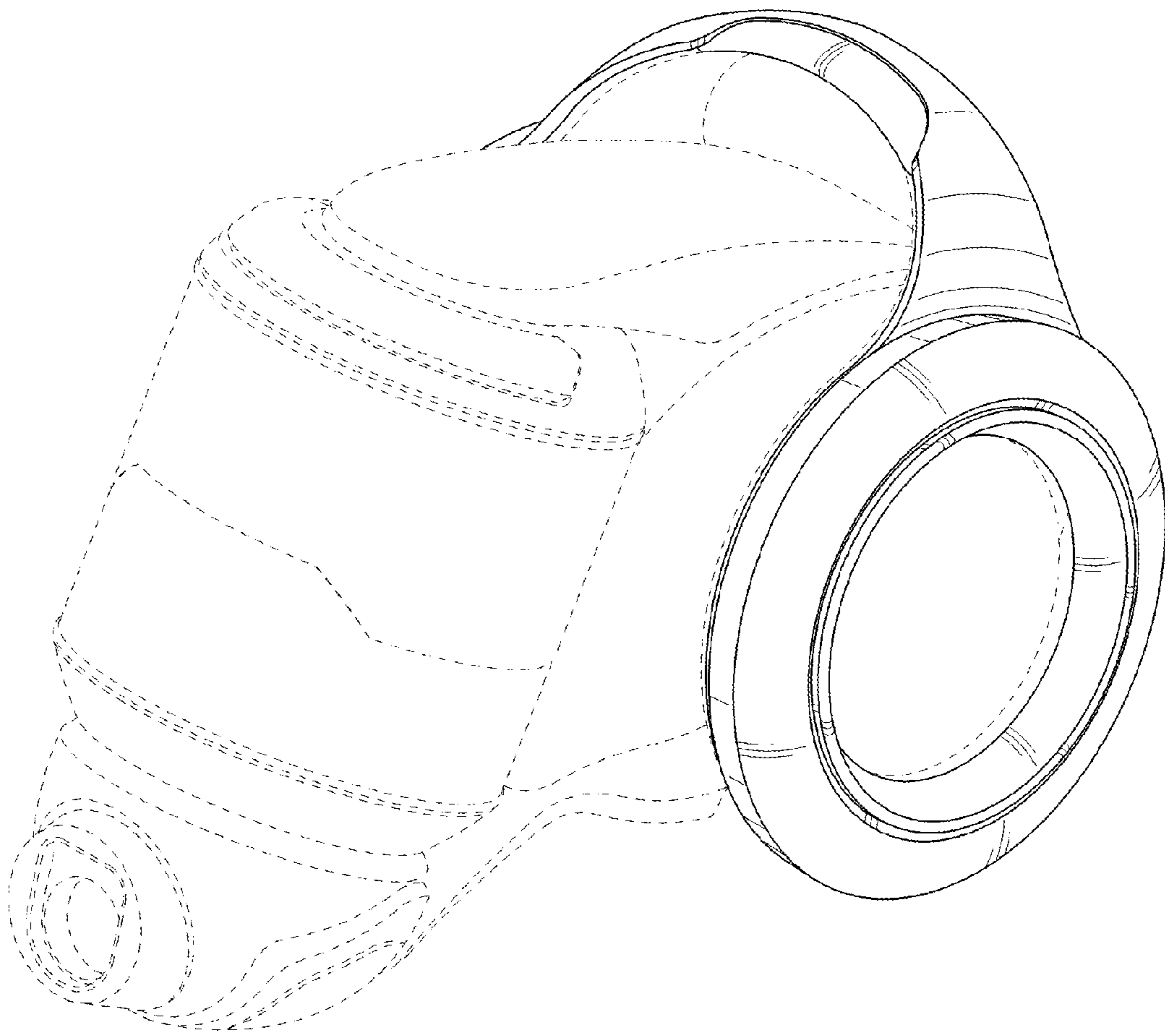


FIG. 2

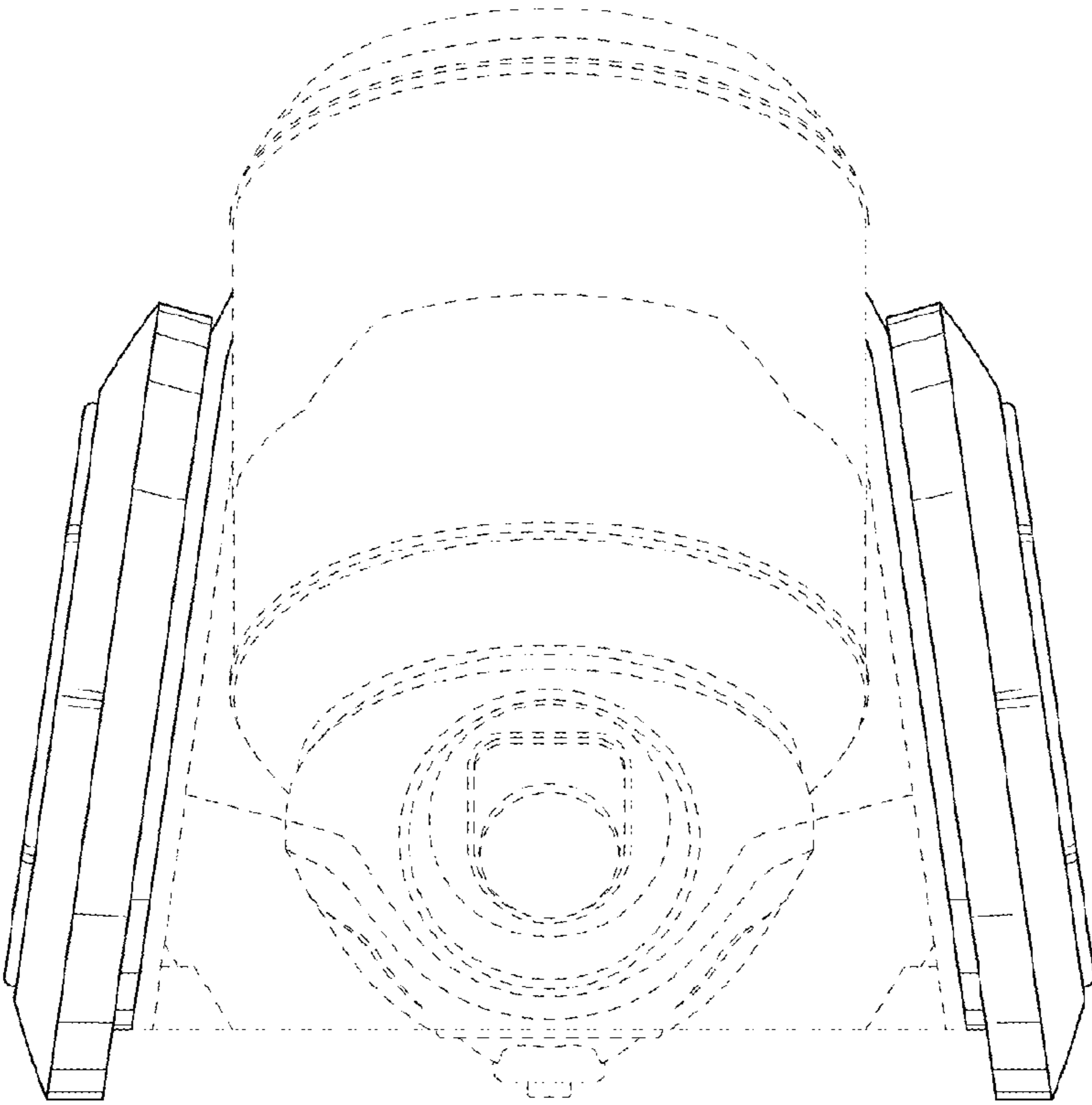


FIG. 3

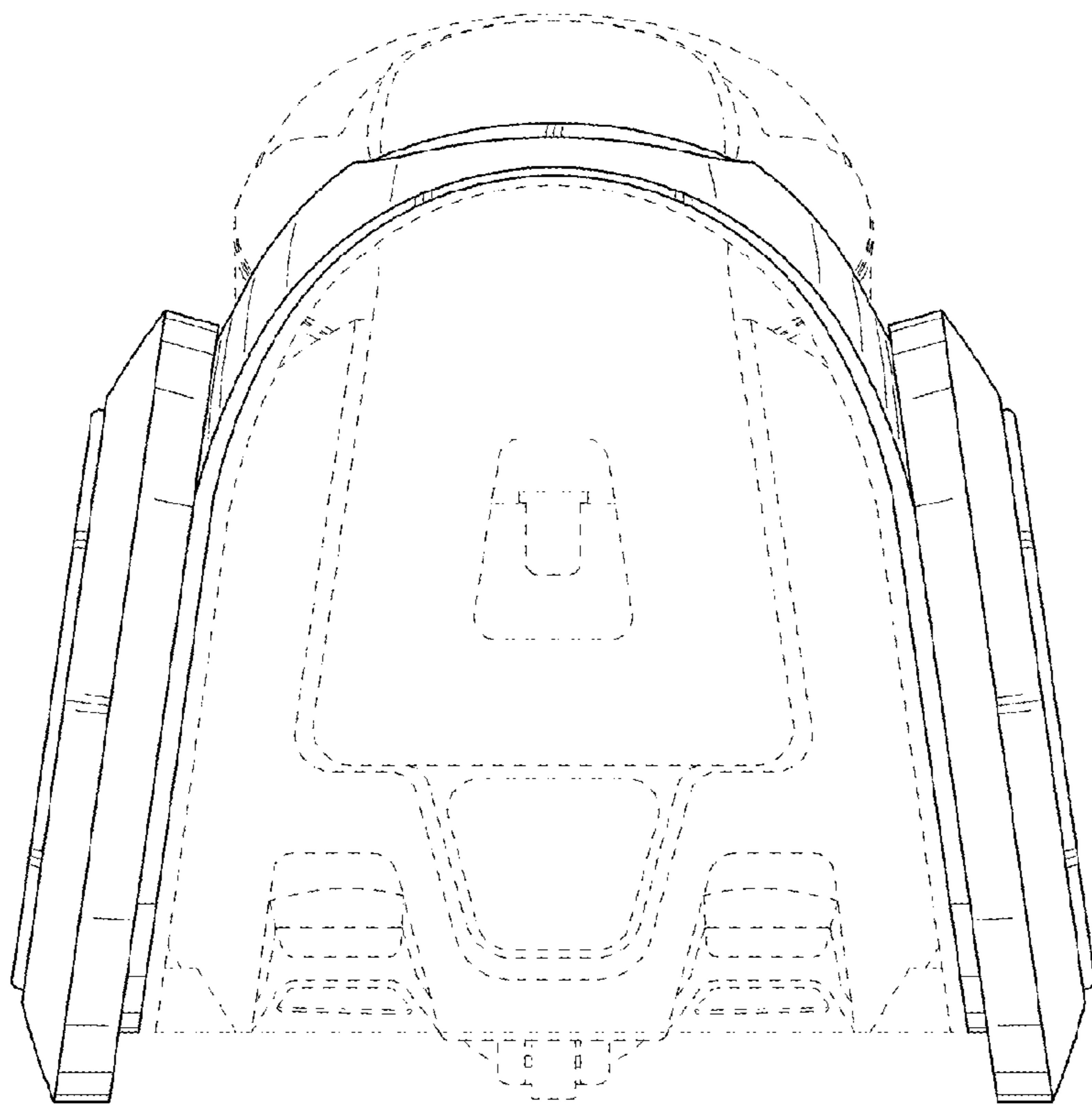


FIG. 4

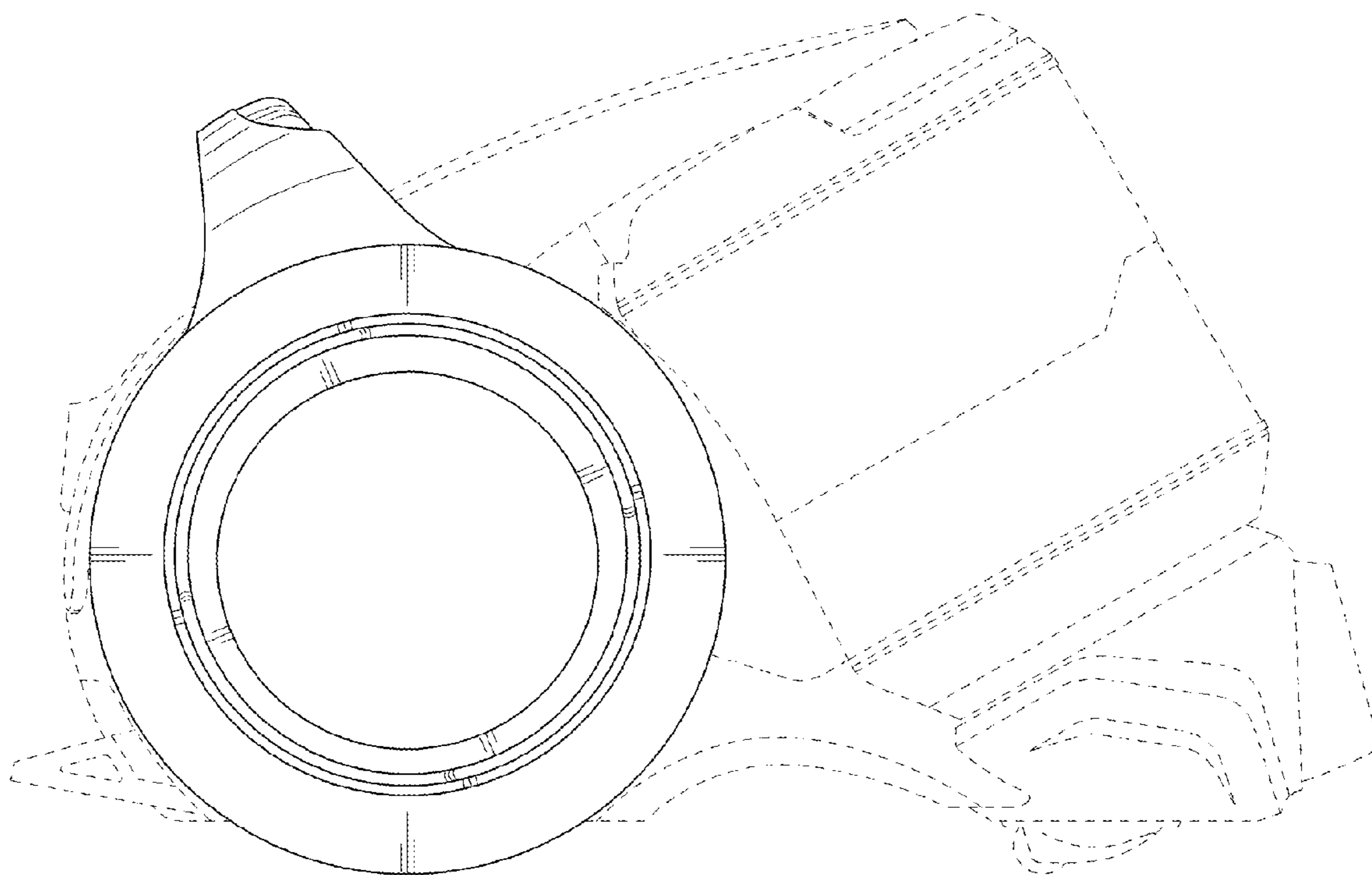


FIG. 5

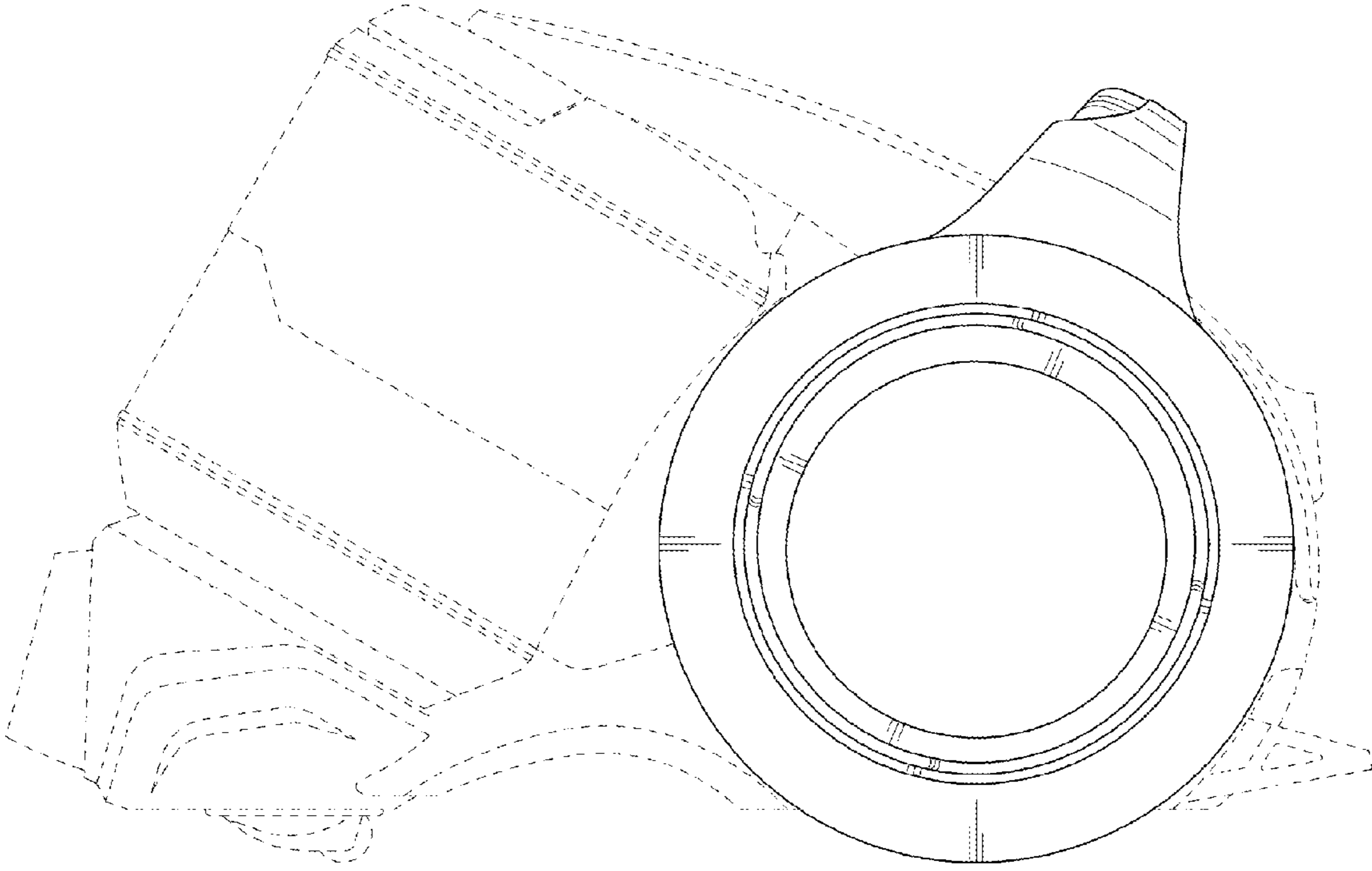


FIG. 6

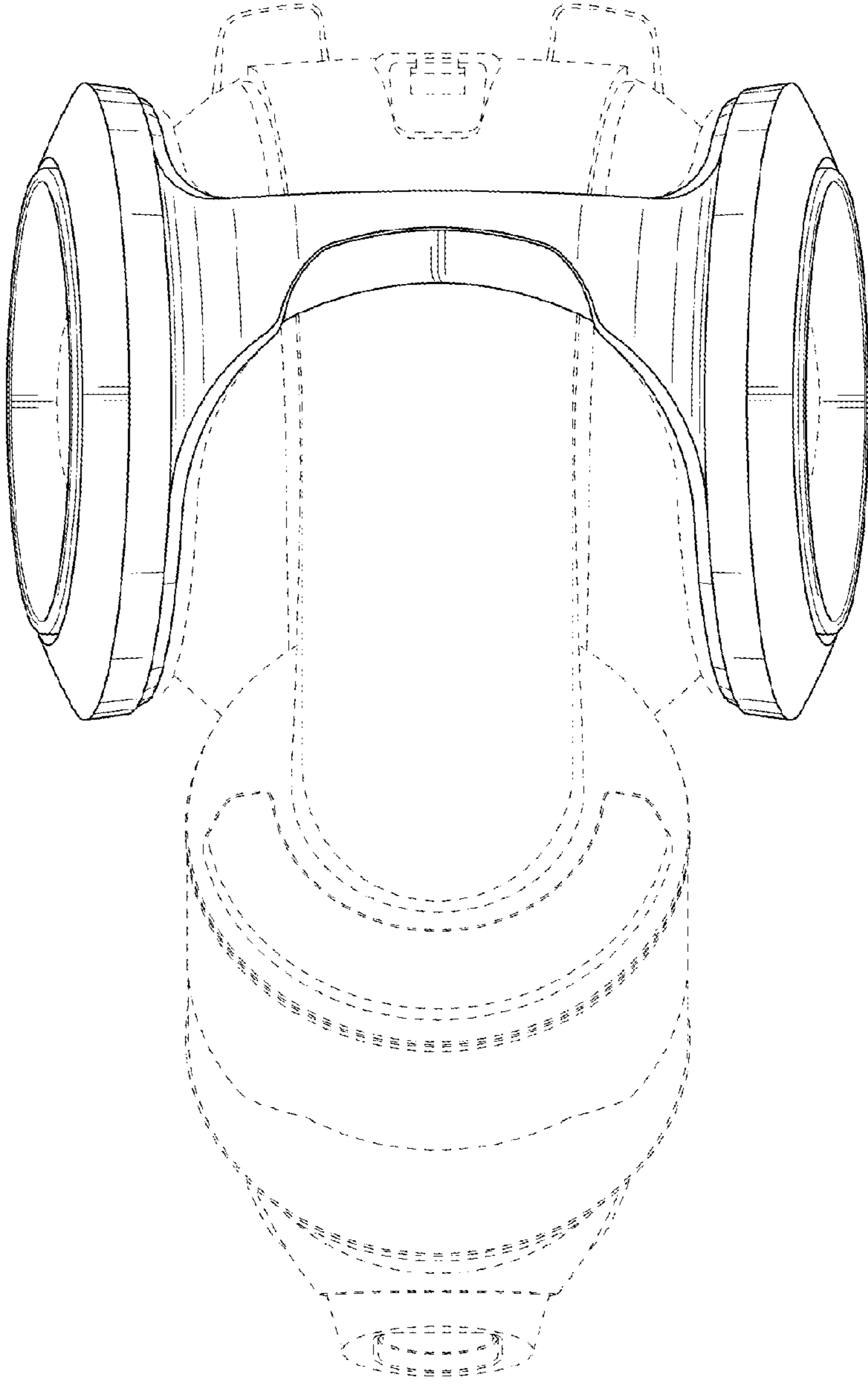


FIG. 7

