



US00D713610S

(12) **United States Design Patent**
Geyer et al.

(10) **Patent No.:** **US D713,610 S**
(45) **Date of Patent:** **** Sep. 16, 2014**

(54) **DOOR OF WASHING AND/OR DRYING MACHINE**

8,266,816 B2 * 9/2012 Lim 34/90
2006/0265899 A1 * 11/2006 Renzo 34/603
2008/0189974 A1 * 8/2008 Dittmer et al. 34/132
2009/0120140 A1 * 5/2009 Choi et al. 68/5 C

(71) Applicant: **BSH Bosch und Siemens Hausgeräte GmbH, Munich (DE)**

* cited by examiner

(72) Inventors: **Johannes Geyer, Haar (DE); Florian Metz, Unterföhring (DE); Roger Münstermann, München (DE); Carsten Weber, Aalen (DE)**

Primary Examiner — T. Chase Nelson
Assistant Examiner — Kathleen M Sims
(74) *Attorney, Agent, or Firm* — Nixon & Vanderhye P.C.

(73) Assignee: **BSH Bosch und Siemens Hausgeraete GmbH, Munich (DE)**

(57) **CLAIM**
The ornamental design for a door of washing and/or drying machine, as shown and described.

(**) Term: **14 Years**

DESCRIPTION

(21) Appl. No.: **29/462,540**

(22) Filed: **Aug. 6, 2013**

Related U.S. Application Data

(62) Division of application No. 29/414,612, filed on Mar. 1, 2012, now Pat. No. Des. 690,479.

(30) **Foreign Application Priority Data**

Sep. 2, 2011 (EM) 001293732

(51) **LOC (10) Cl.** **15-05**

(52) **U.S. Cl.**
USPC **D32/25**

(58) **Field of Classification Search**
USPC D32/1, 5-6, 8, 10, 25; 68/3 R, 4, 5 R,
68/12.01, 12.07-12.08, 212; 34/87-88,
34/523, 524

See application file for complete search history.

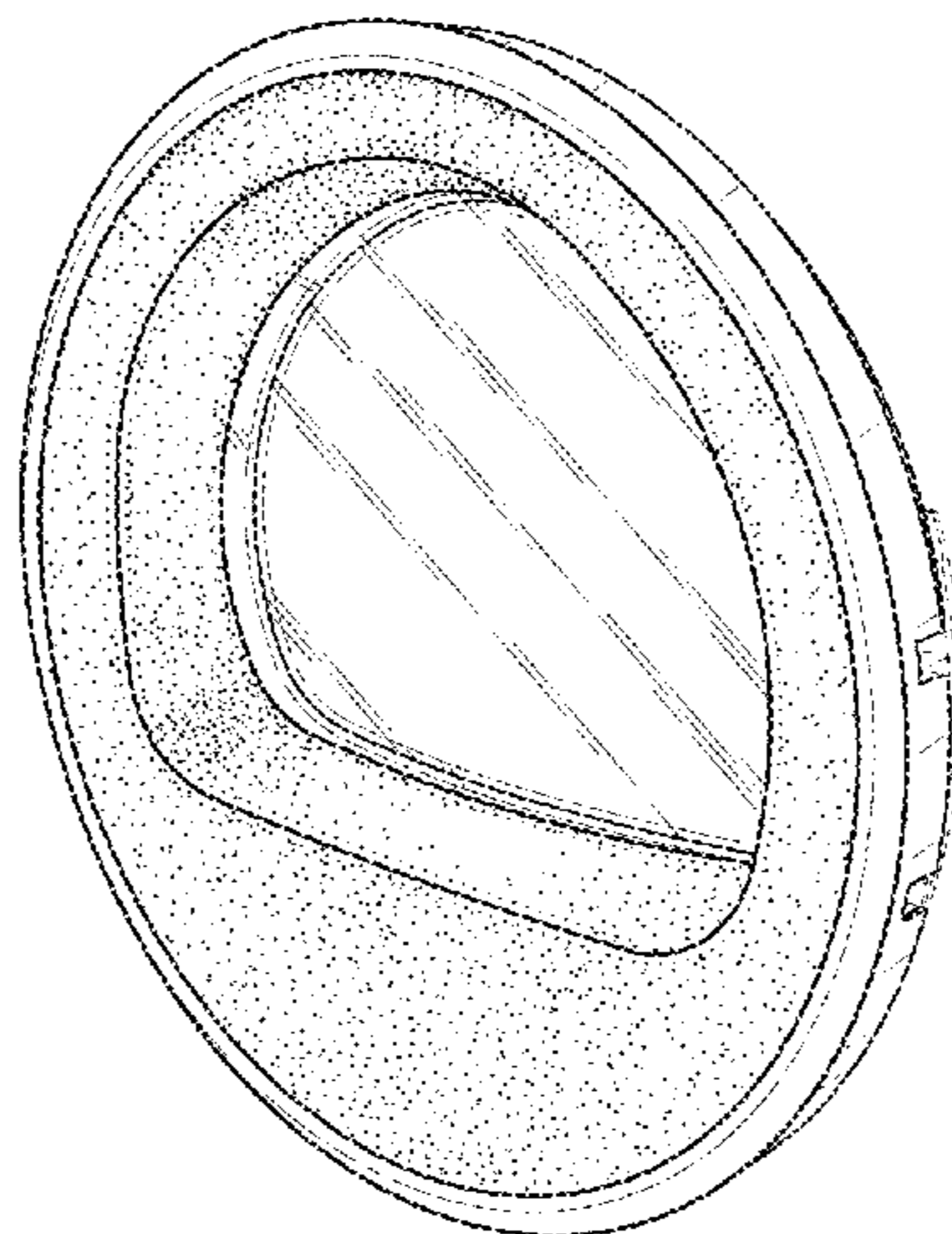
(56) **References Cited**

U.S. PATENT DOCUMENTS

5,113,562 A * 5/1992 Studt 29/401.1
D550,409 S * 9/2007 Wilday D32/6
7,946,054 B2 * 5/2011 Dittmer et al. 34/63

FIG. 1 is a front perspective view of a door of washing and/or drying machine according to a first embodiment showing our new ornamental design;
FIG. 2 is a front view thereof;
FIG. 3 is a rear view thereof;
FIG. 4 is a top view thereof;
FIG. 5 is a bottom view thereof;
FIG. 6 is a right side view thereof;
FIG. 7 is a left hand side view thereof;
FIG. 8 is another perspective view thereof;
FIG. 9 is a front perspective view of a door of washing and/or drying machine according to a second embodiment showing our new ornamental design;
FIG. 10 is a front view thereof;
FIG. 11 is a rear view thereof;
FIG. 12 is a top view thereof;
FIG. 13 is a bottom view thereof;
FIG. 14 is a right side view thereof;
FIG. 15 is a left hand side view thereof; and,
FIG. 16 is another perspective view thereof.
The use of stippling in various figures, e.g., FIGS. 1-8, indicates a contrast in appearance/material.
The broken lines include surrounding environmental structure and do not form part of the claimed design.

1 Claim, 8 Drawing Sheets



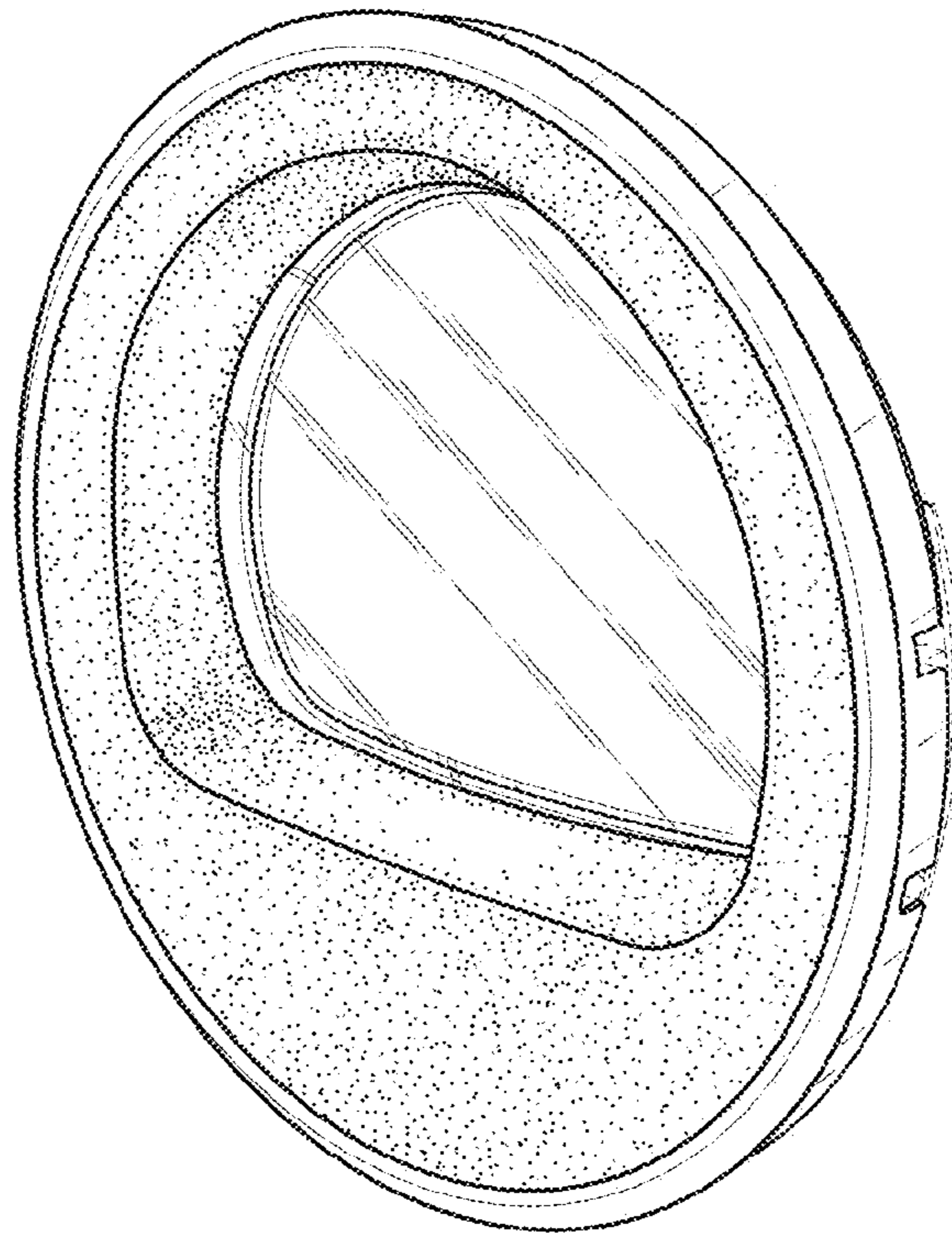


FIG. 1

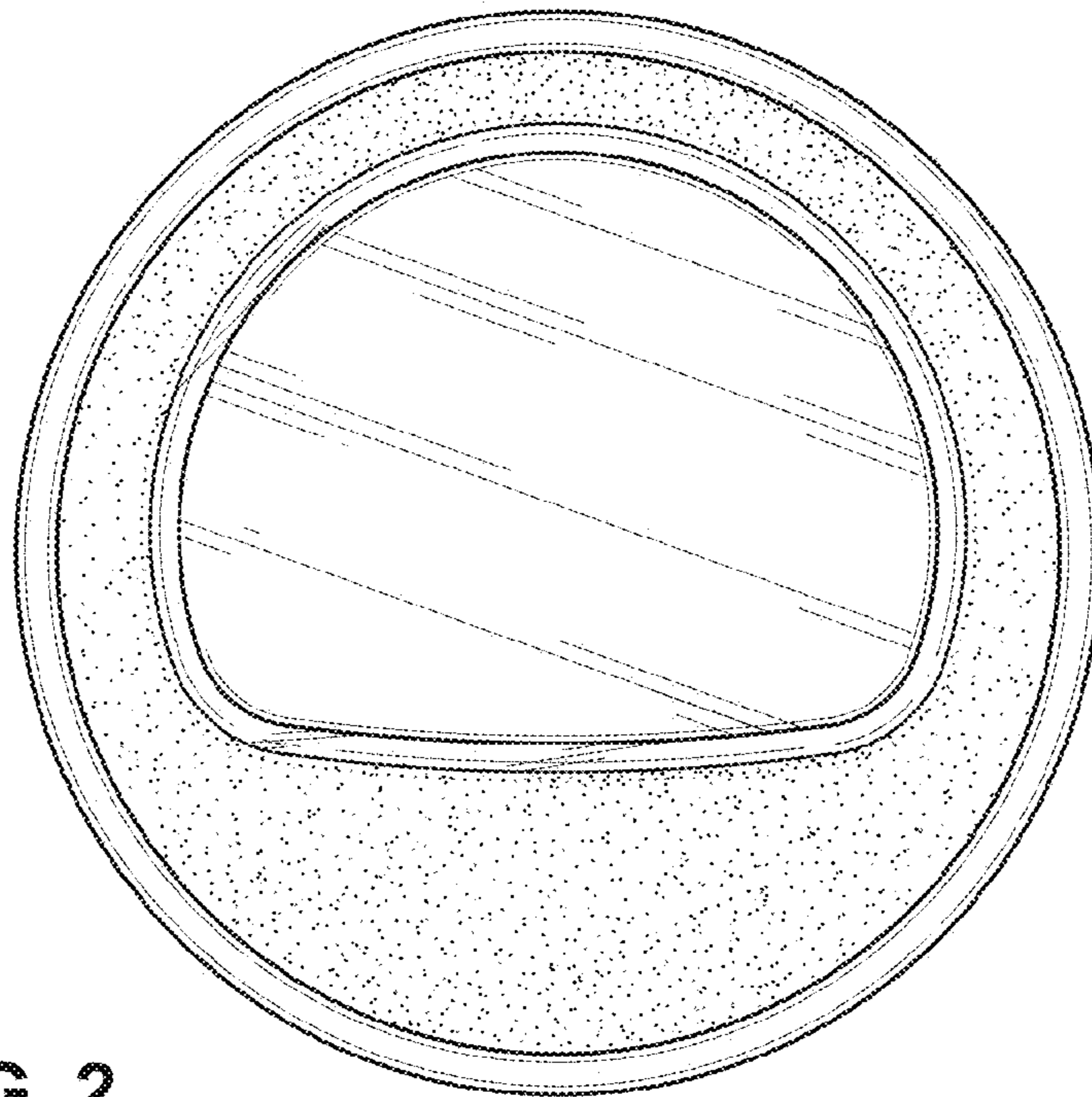


FIG. 2

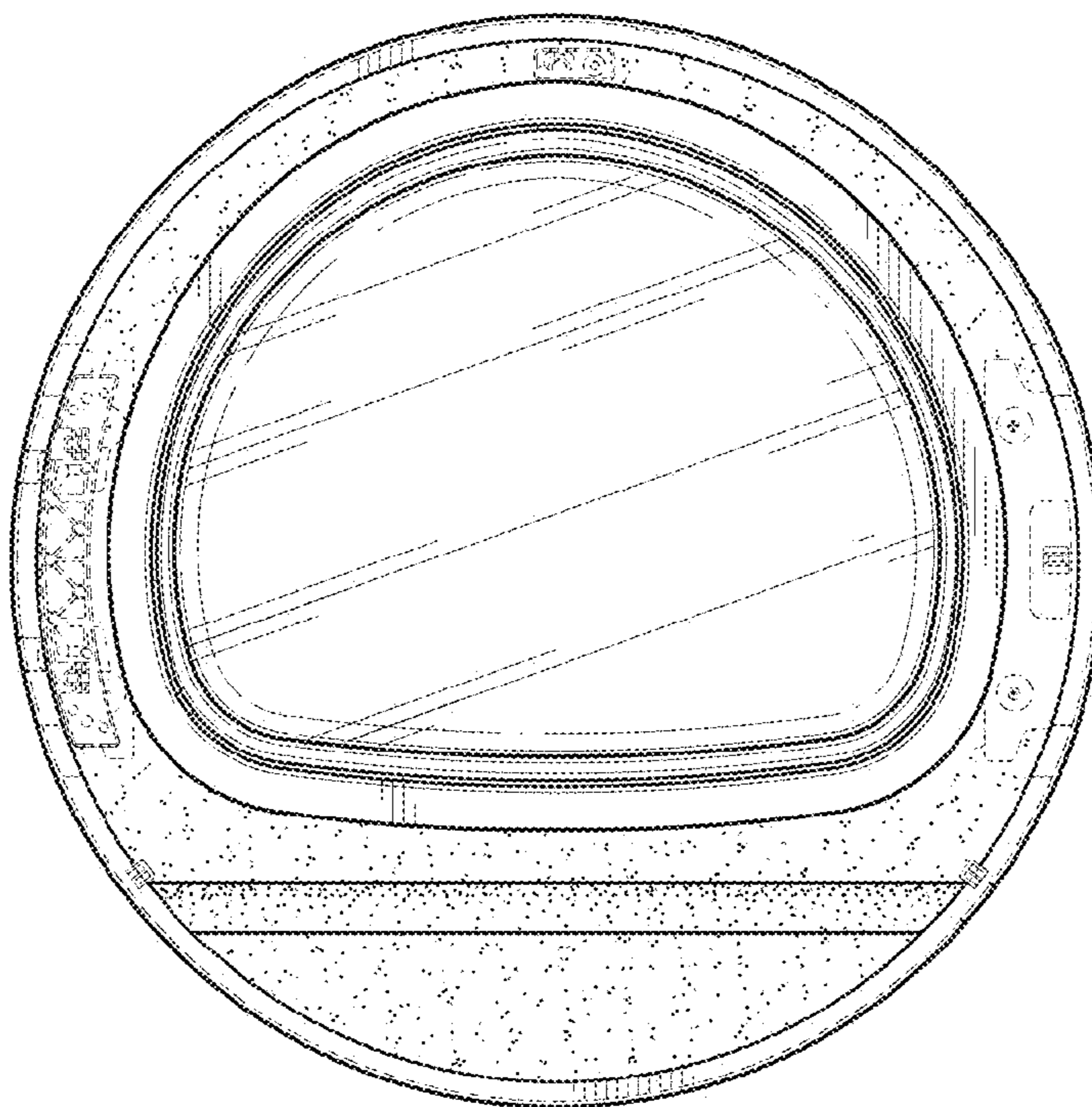


FIG. 3

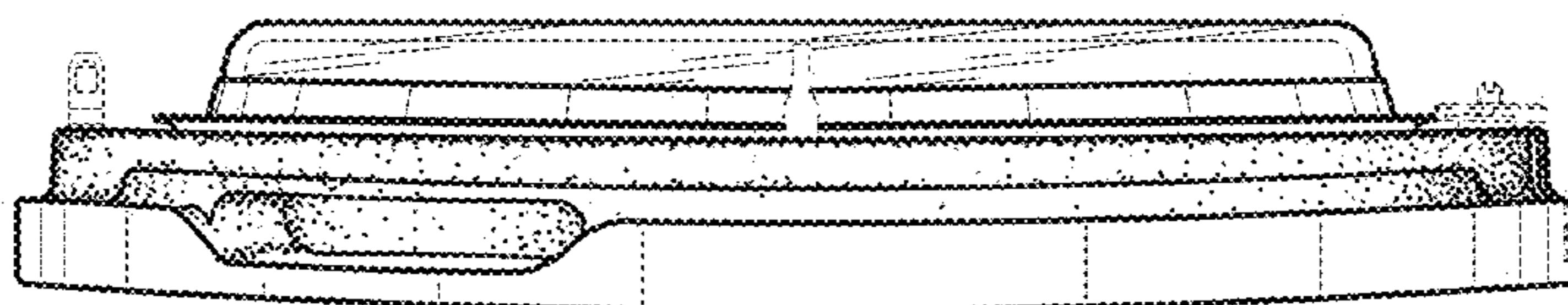


FIG. 4

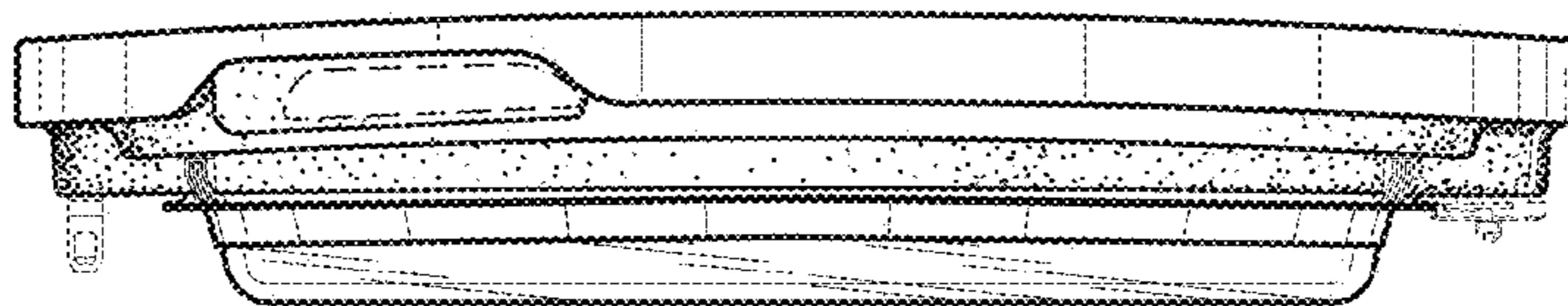


FIG. 5

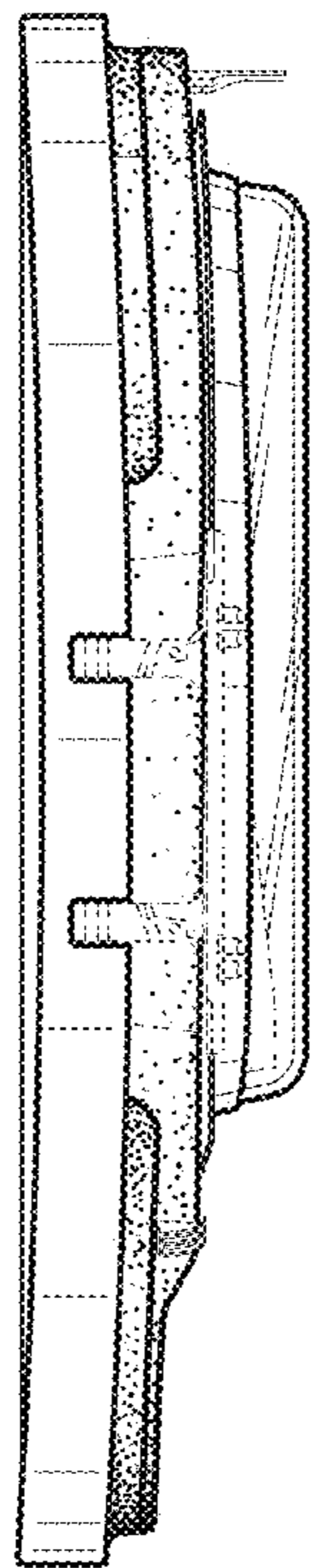


FIG. 6

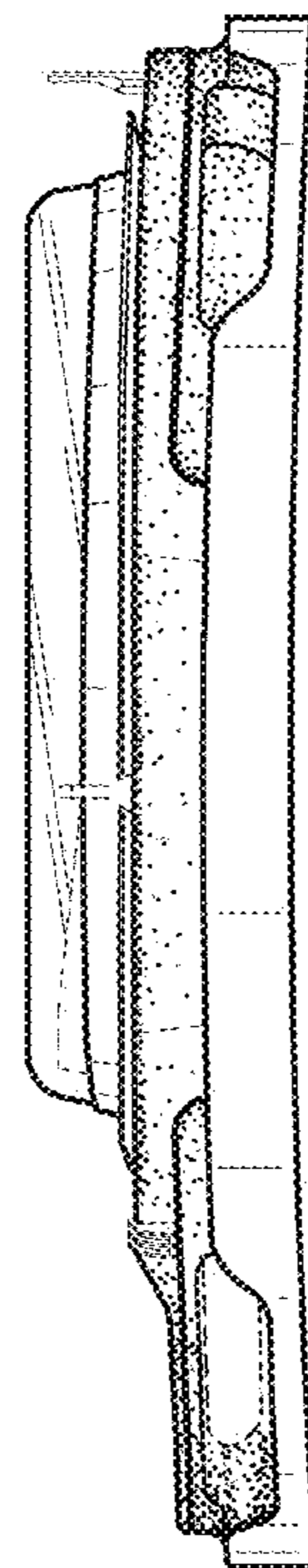


FIG. 7

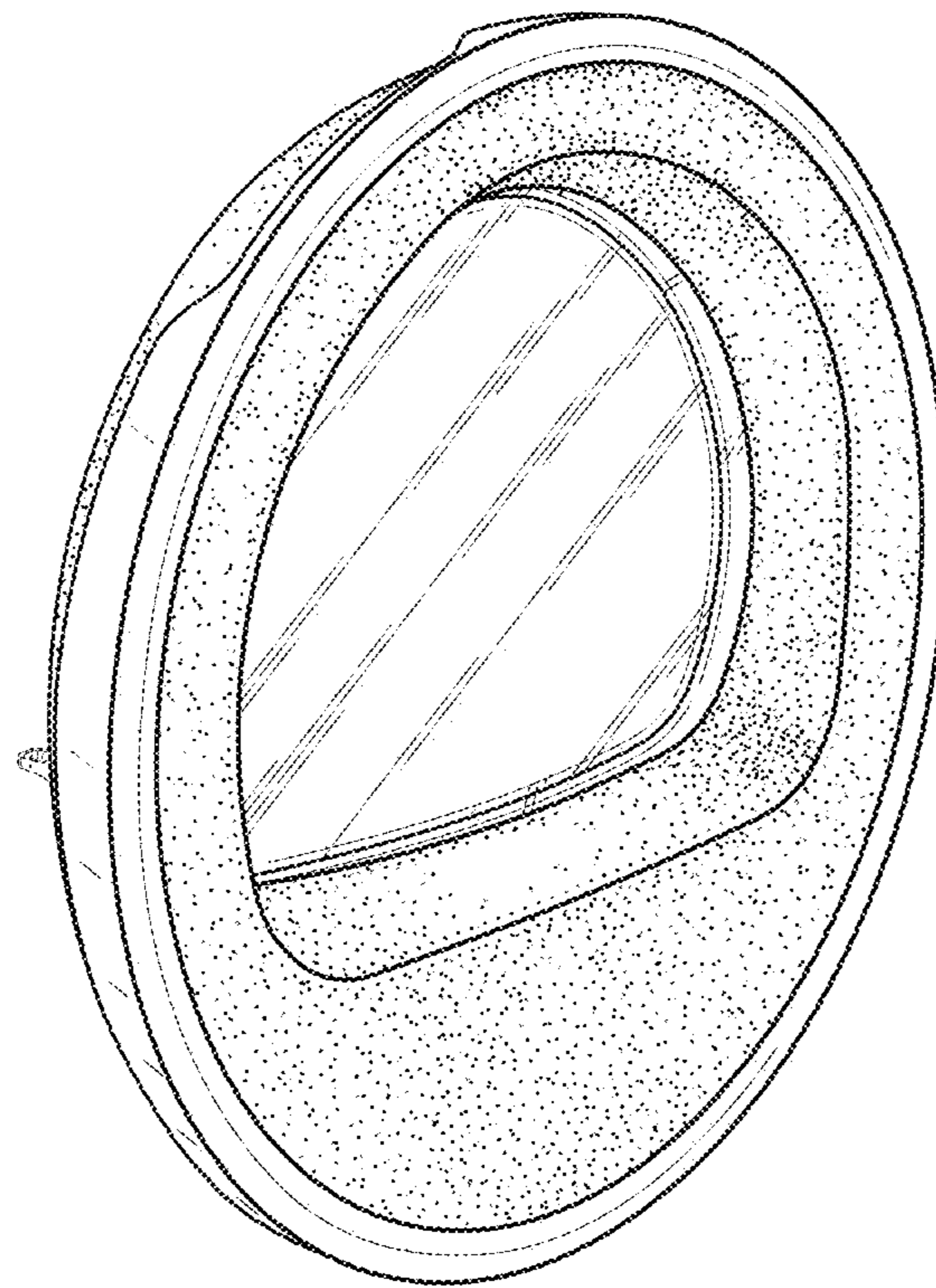


FIG. 8

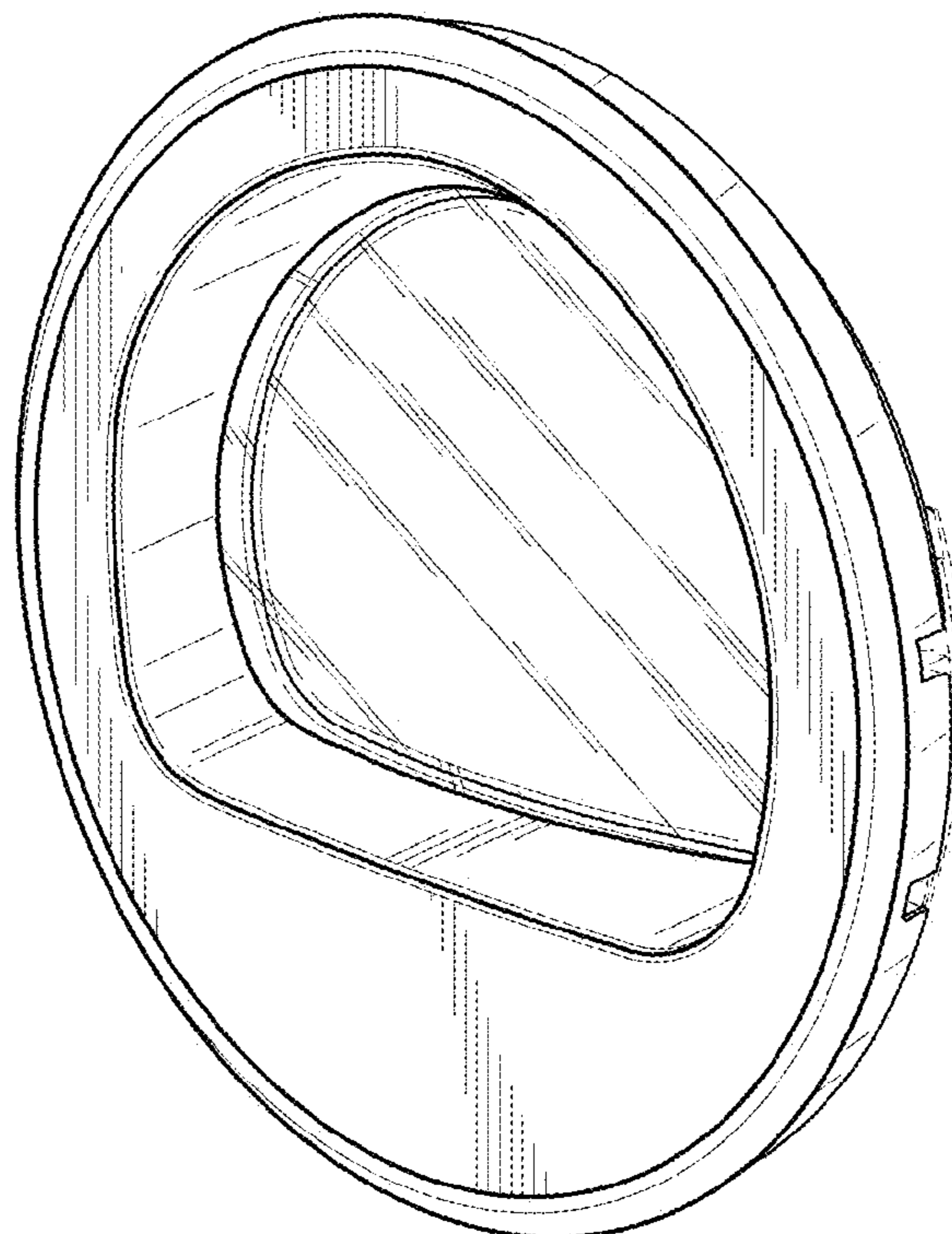


FIG. 9

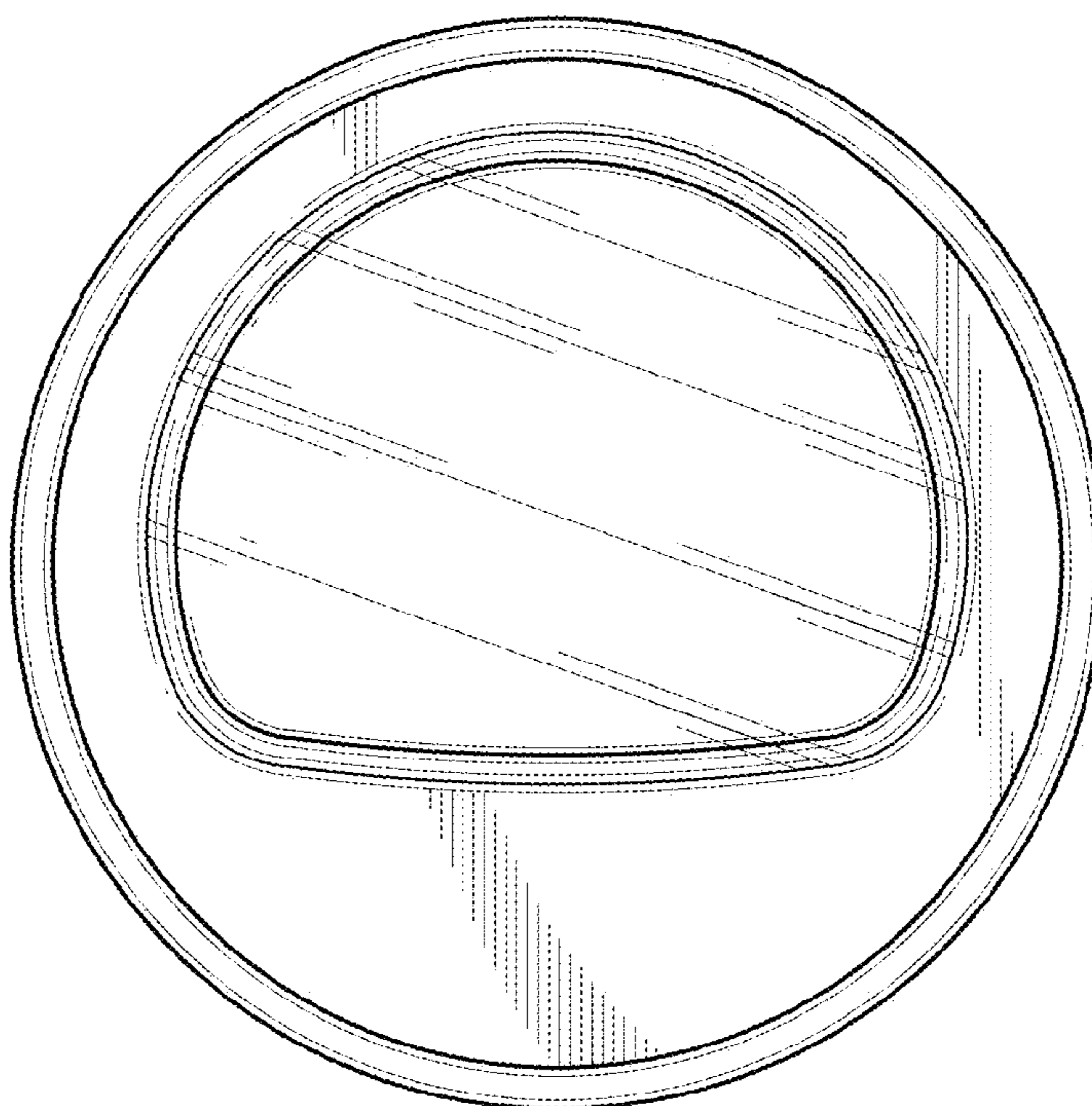


FIG. 10

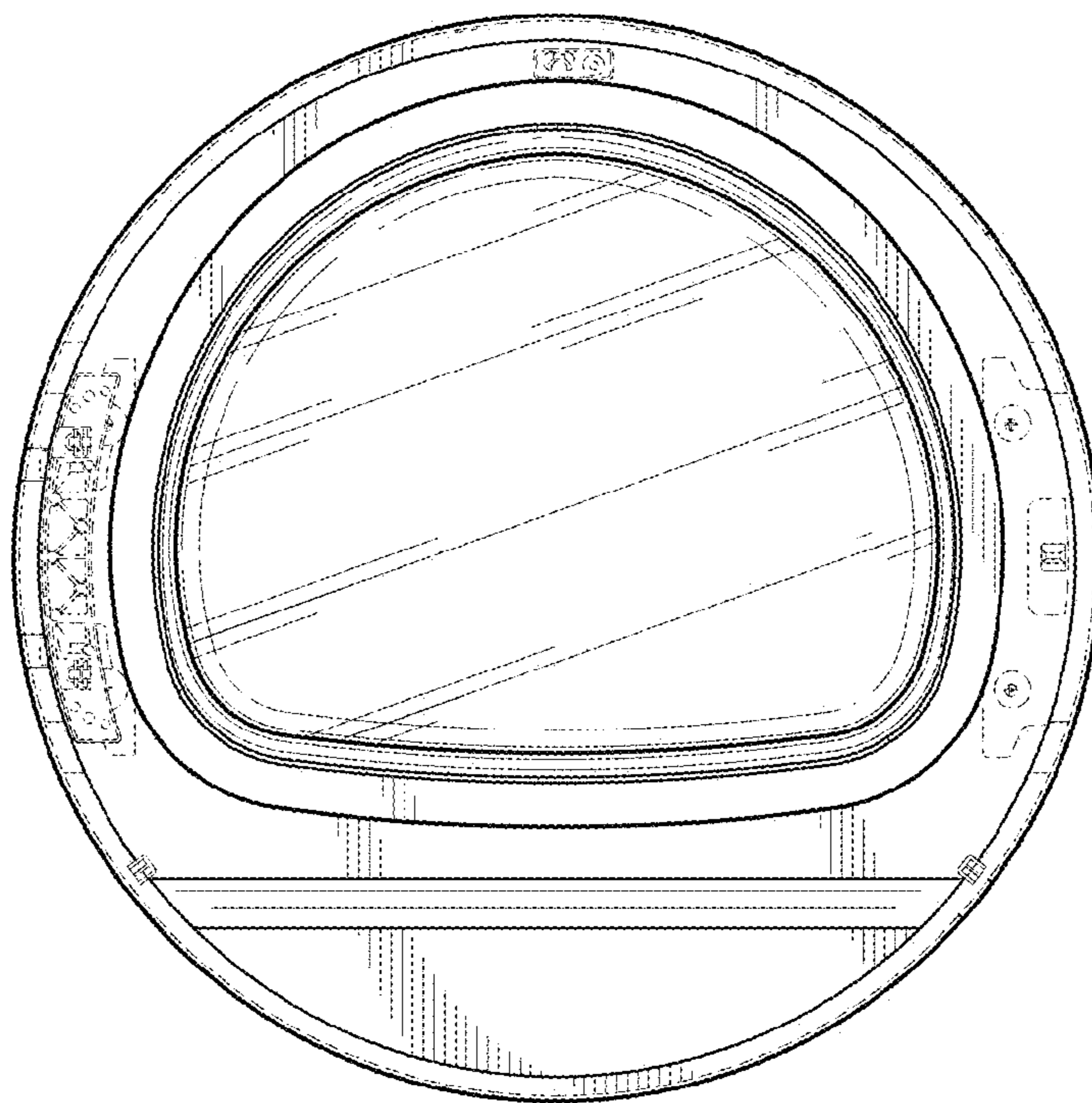


FIG. 11

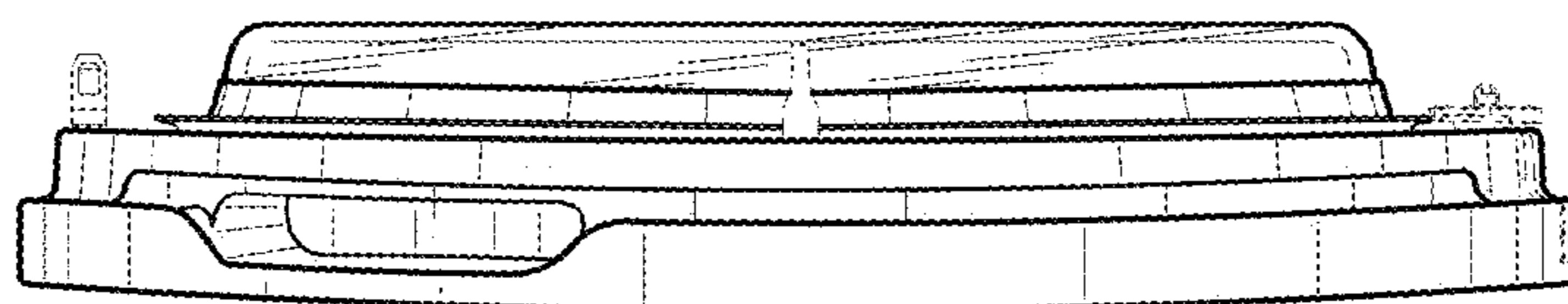


FIG. 12



FIG. 13

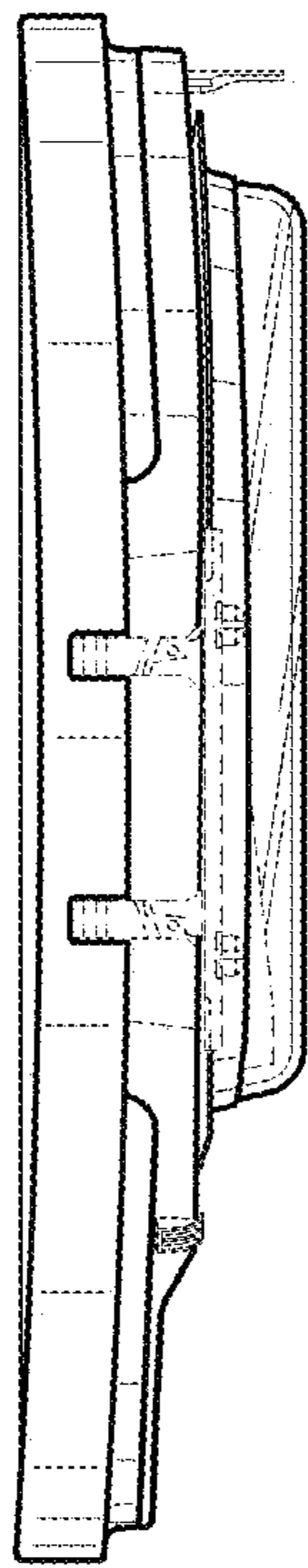


FIG. 14

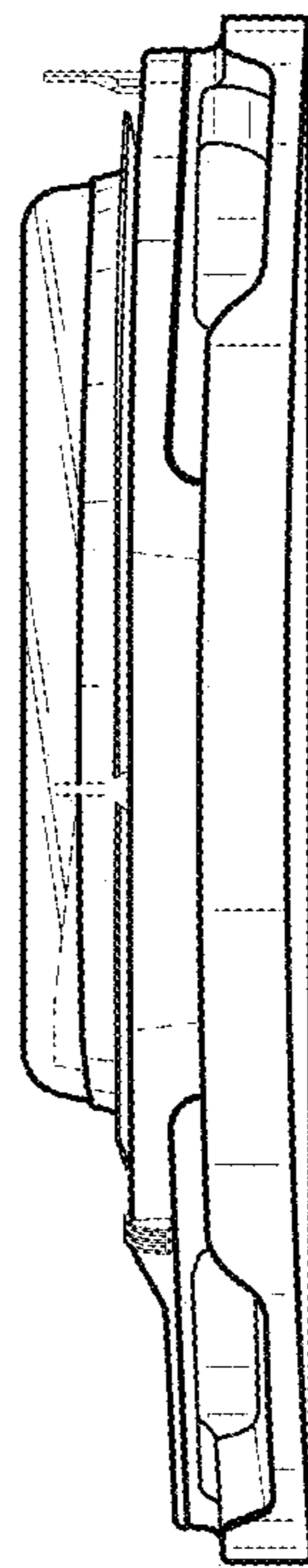


FIG. 15

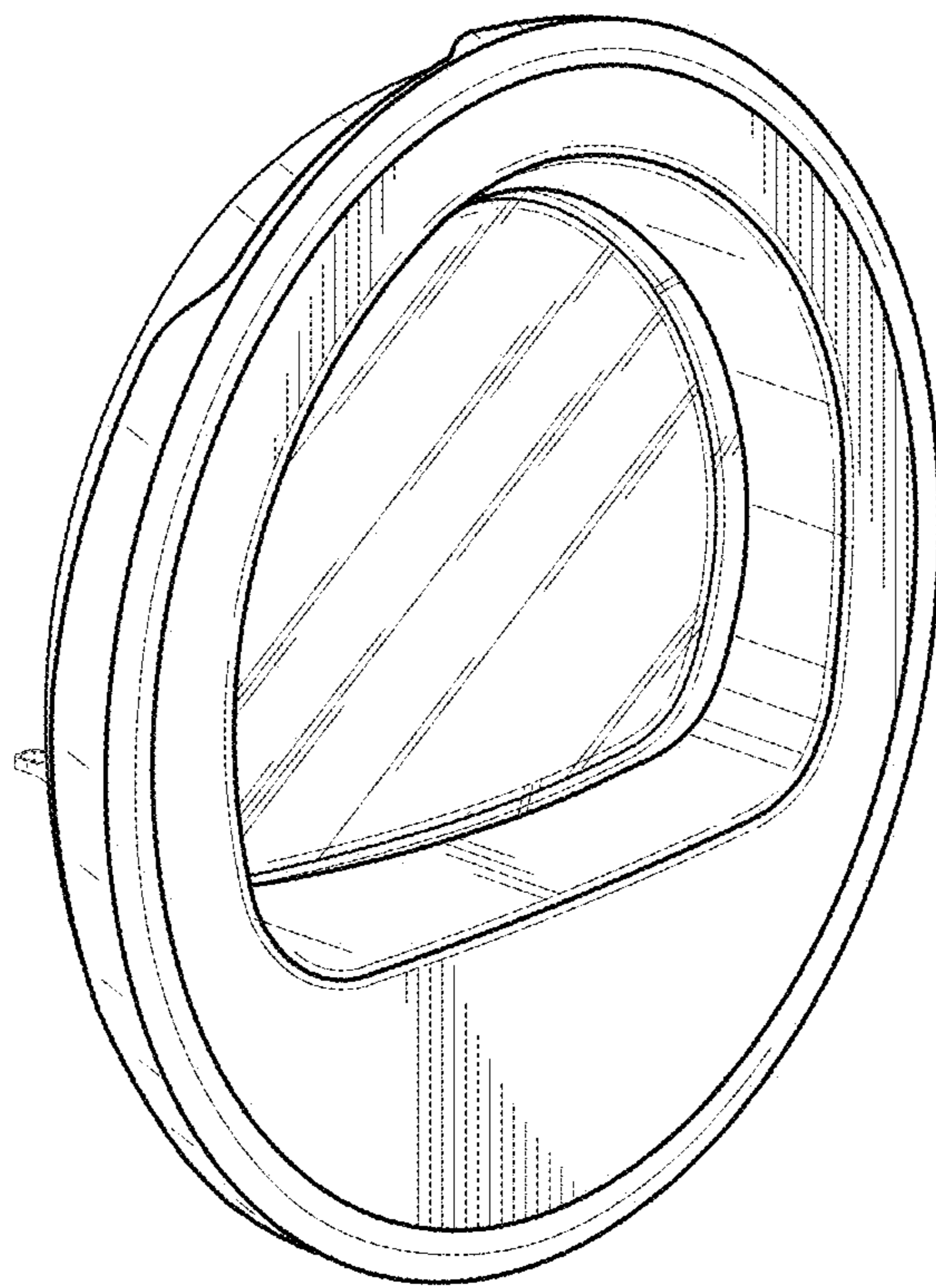


FIG. 16