



US00D713608S

(12) **United States Design Patent**
Jönsson et al.

(10) **Patent No.:** **US D713,608 S**

(45) **Date of Patent:** **** Sep. 16, 2014**

- (54) **BASKET**
- (71) Applicant: **Granuldisk AB**, Malmö (SE)
- (72) Inventors: **Mats Jönsson**, Skurup (SE); **Per Ovesen**, Klagstorp (SE)
- (73) Assignee: **Granuldisk AB**, Malmö (SE)
- (**) Term: **14 Years**
- (21) Appl. No.: **29/445,769**
- (22) Filed: **Feb. 15, 2013**
- (51) **LOC (10) Cl.** **15-05**
- (52) **U.S. Cl.**
USPC **D32/3**
- (58) **Field of Classification Search**
USPC D32/1, 2, 3, 25, 55; D3/309–314;
134/56 D, 57 D, 58 D, 201;
220/487–488, 507, 518, 555;
206/507–509; 211/41.8–41.9
See application file for complete search history.

- 2,553,880 A * 5/1951 Stigler 220/555
- 2,622,758 A * 12/1952 Dean 220/488
- D212,305 S * 9/1968 Hilleman D32/3
- D212,709 S * 11/1968 Maslow D32/3
- 3,511,387 A * 5/1970 Maslow 211/41.8
- D355,742 S * 2/1995 Jackson D34/6
- D400,712 S * 11/1998 Hampshire D3/309
- D421,786 S * 3/2000 Madrid D23/209

* cited by examiner

Primary Examiner — T. Chase Nelson

Assistant Examiner — Kathleen M Sims

(74) *Attorney, Agent, or Firm* — Thomas|Horstemeyer, LLP

(57) **CLAIM**

The ornamental design for a basket, as shown and described.

DESCRIPTION

FIG. 1 is a top perspective view of our new basket;
 FIG. 2 is a side elevational view of our new basket of FIG. 1;
 FIG. 3 is a side elevational view of our new basket, opposite that of FIG. 1;
 FIG. 4 is another side elevational view of our basket of FIG. 1;
 FIG. 5 is a side elevational view of our basket, opposite that of FIG. 4;
 FIG. 6 is a top plan view of our basket of FIG. 1; and,
 FIG. 7 is a bottom plan view of our basket of FIG. 1.

1 Claim, 7 Drawing Sheets

(56) **References Cited**

U.S. PATENT DOCUMENTS

- 1,968,658 A * 7/1934 Stoddard 220/488
- 1,997,451 A * 4/1935 Burkle 220/488
- 2,032,156 A * 2/1936 Stoddard 220/488
- 2,060,468 A * 11/1936 Mitchell 220/676
- 2,152,456 A * 3/1939 Barrie 220/487



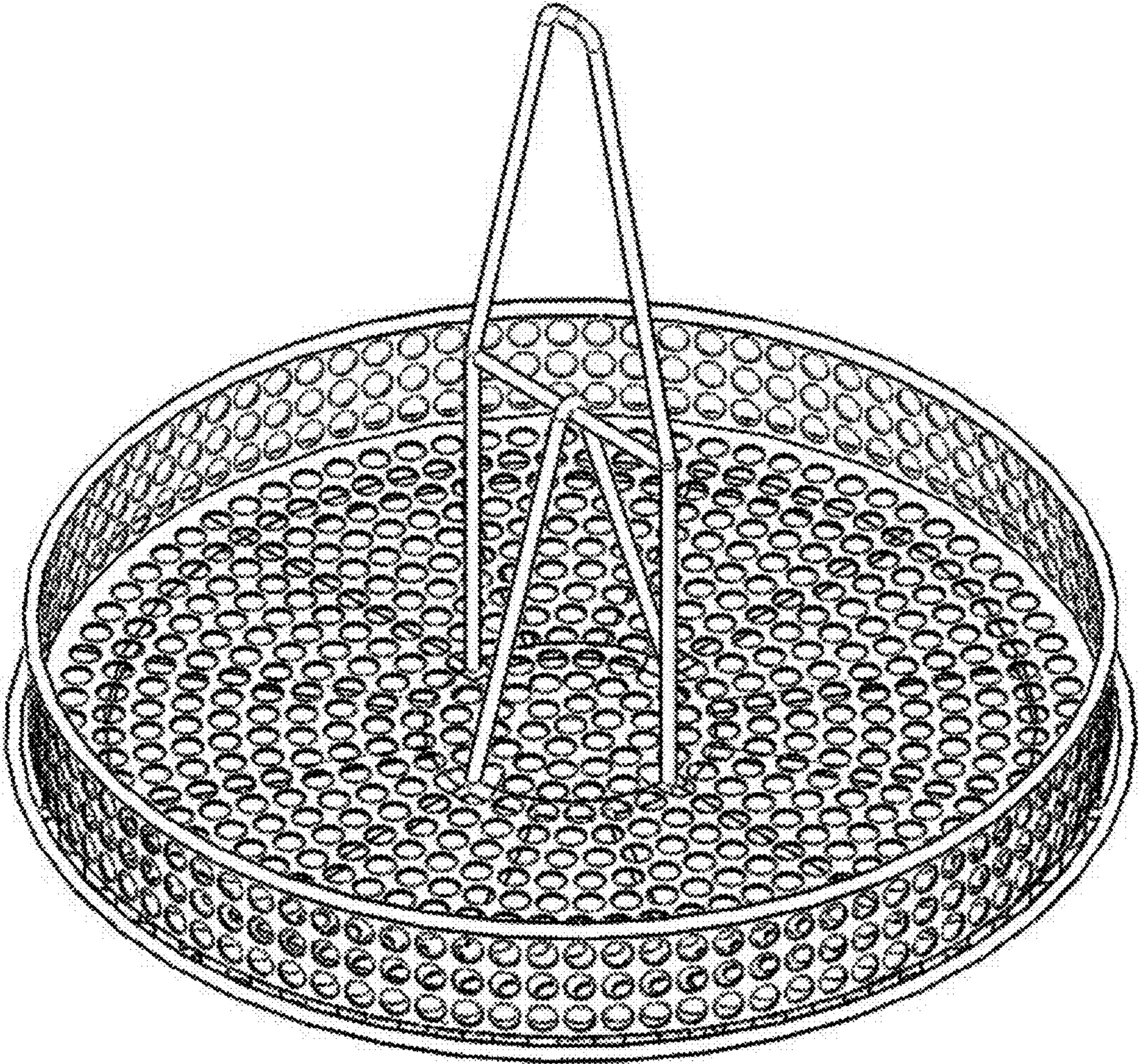


FIG. 1

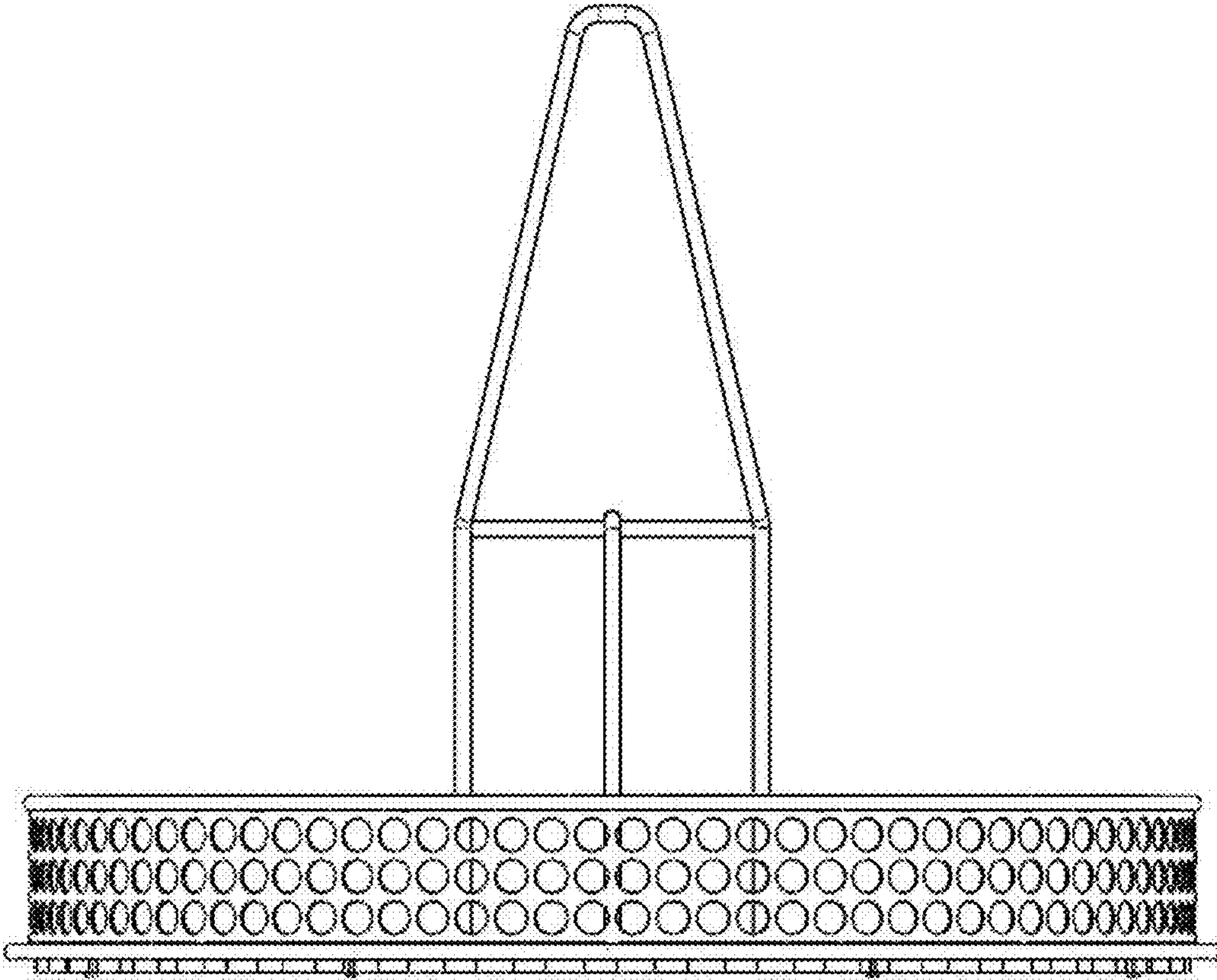


FIG. 2

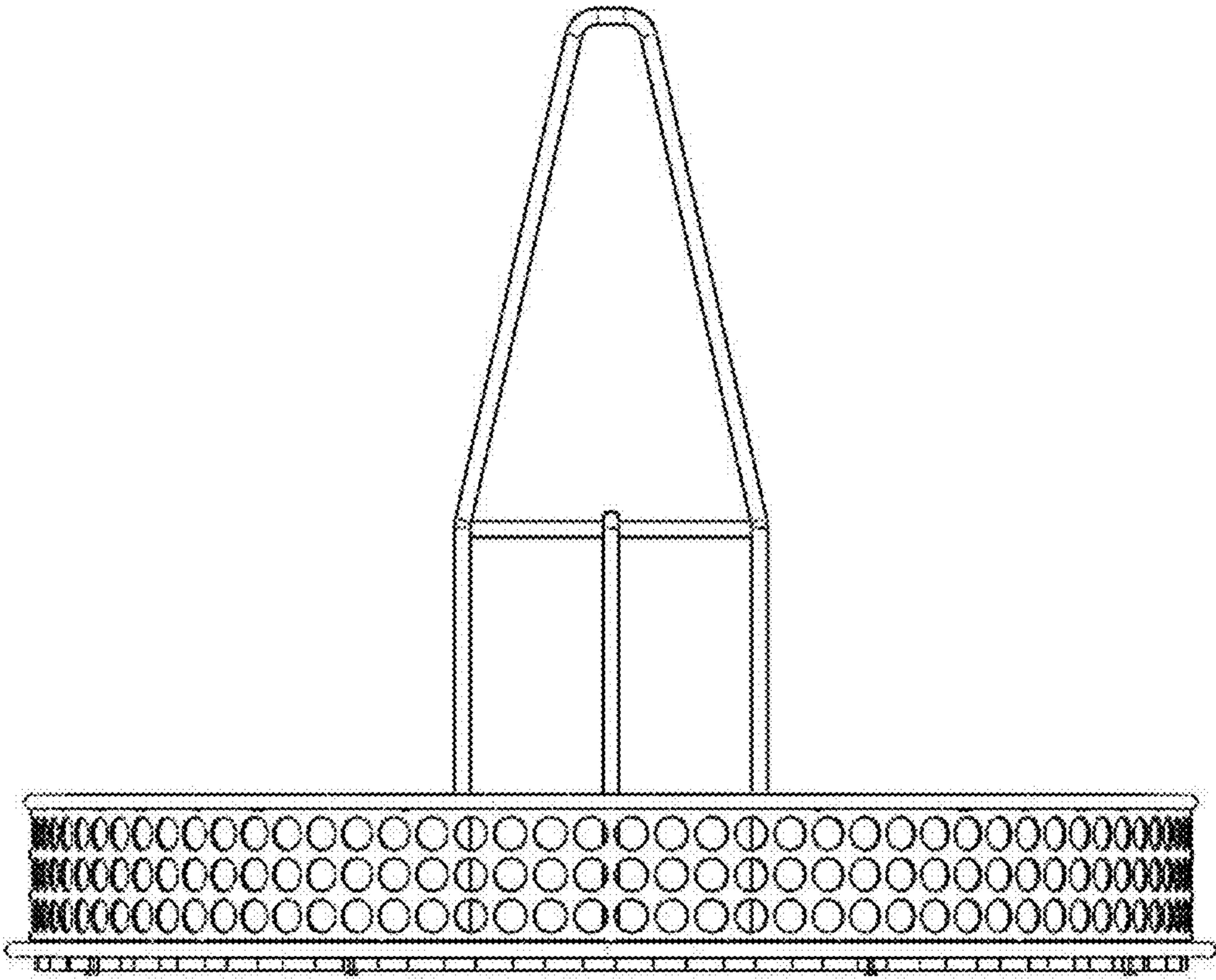


FIG. 3

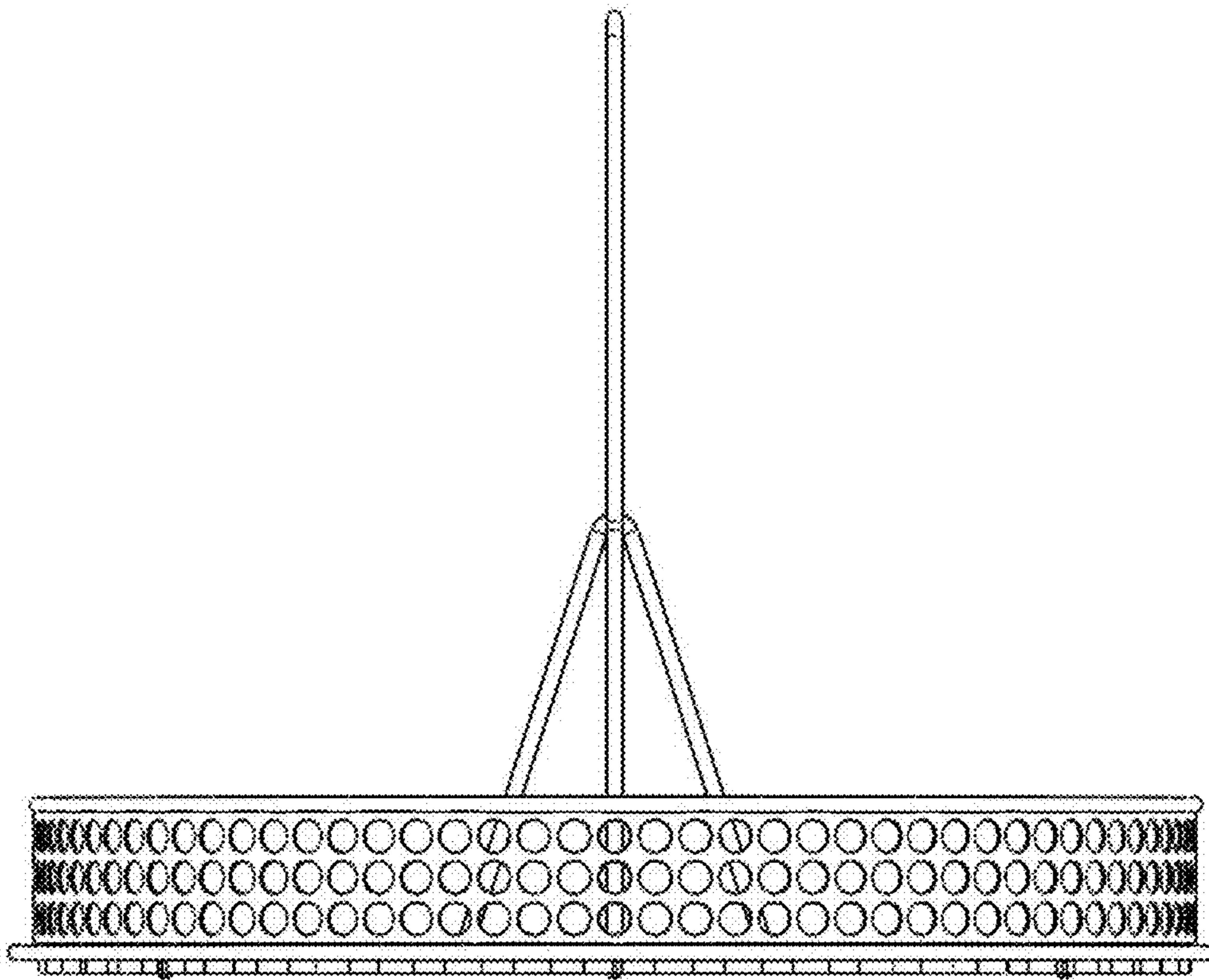


FIG. 4

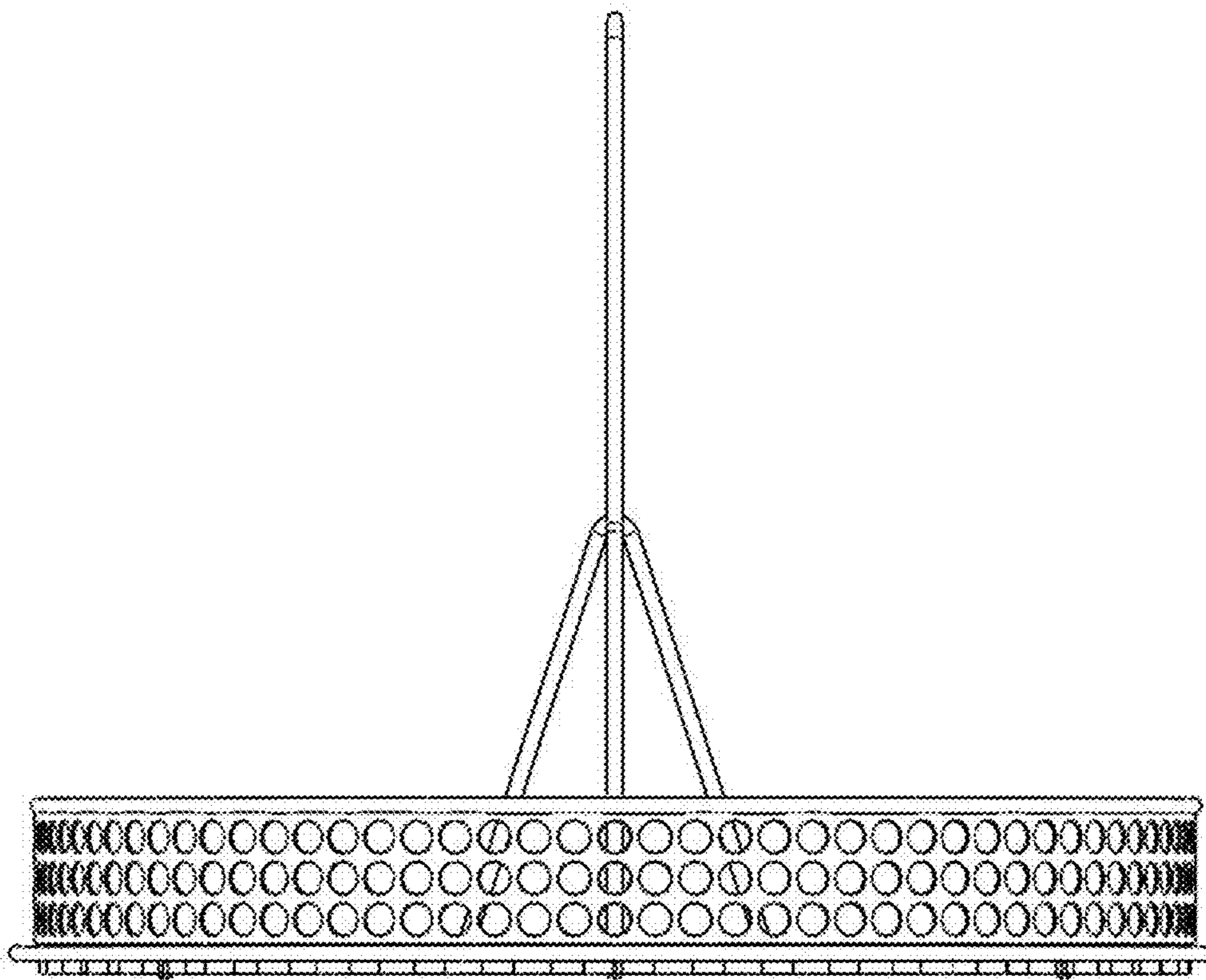


FIG. 5

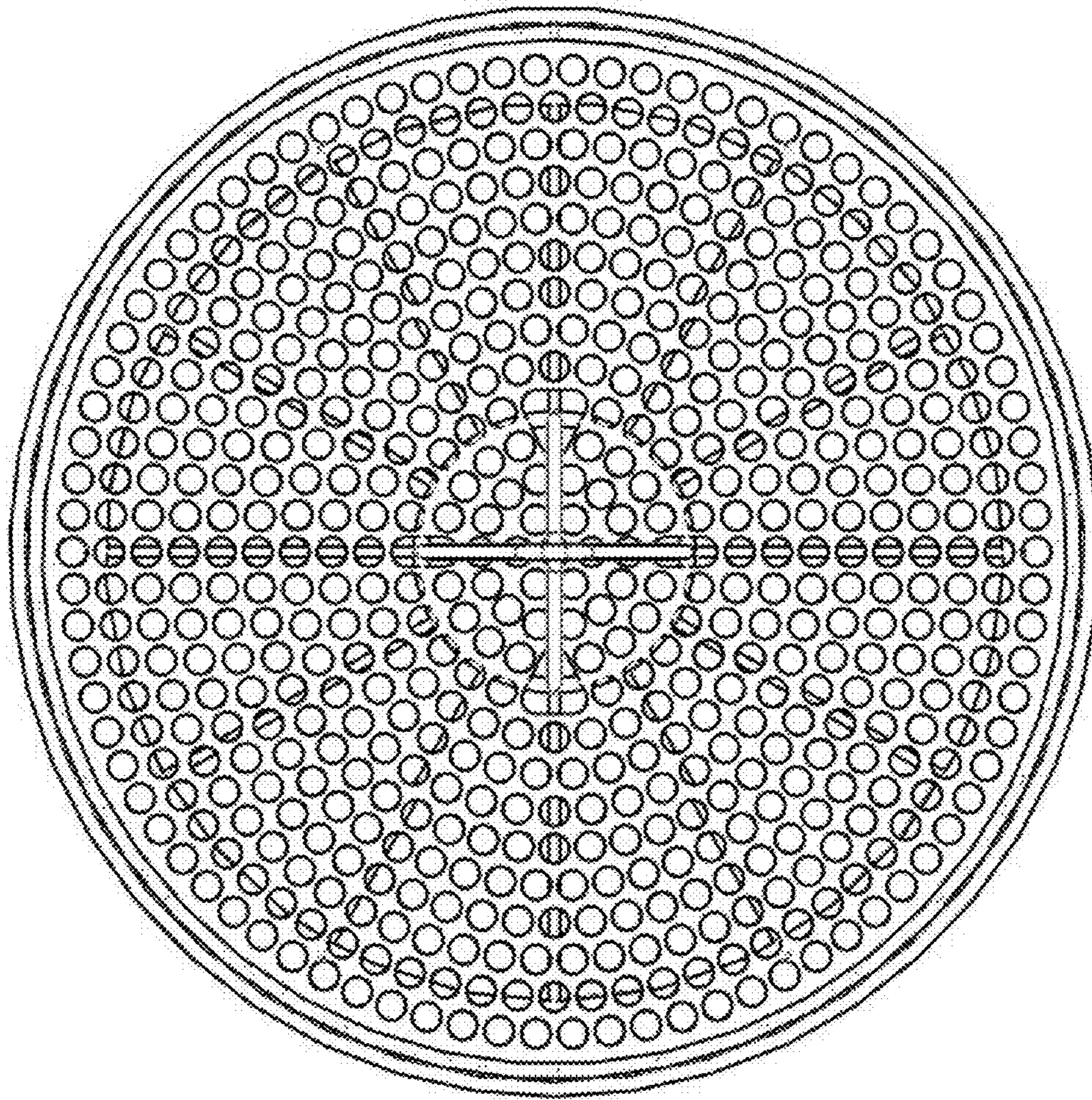


FIG. 6

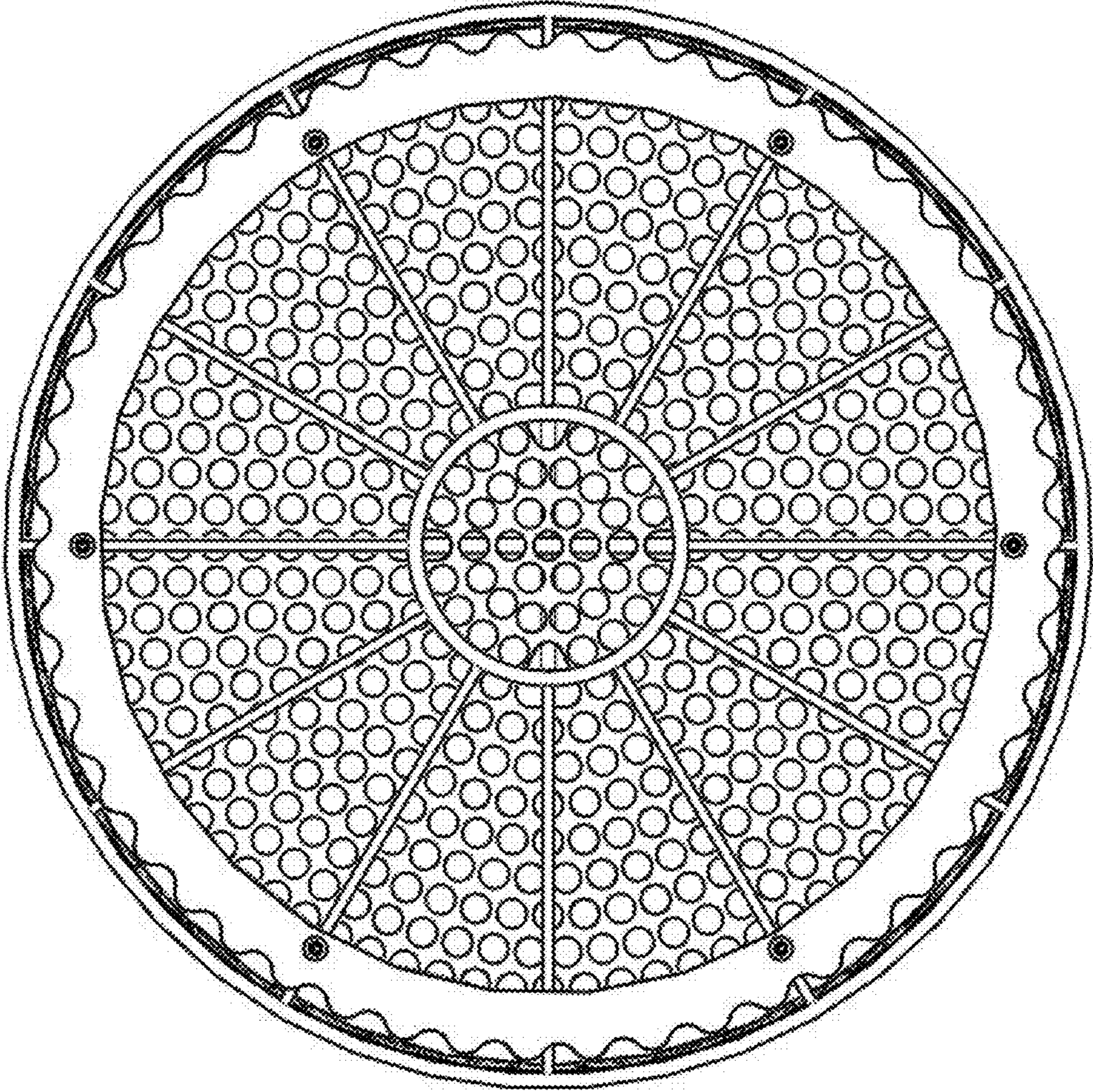


FIG. 7