



US00D713601S

(12) **United States Design Patent**
Fahsel

(10) **Patent No.:** **US D713,601 S**
(45) **Date of Patent:** **** Sep. 16, 2014**

(54) **DECORATIVE TOOTH PICK**
(71) Applicant: **Susan Fahsel**, Lake Tapps, WA (US)
(72) Inventor: **Susan Fahsel**, Lake Tapps, WA (US)
(73) Assignee: **Susan Fahsel**, Lake Tapps, WA (US)
(**) Term: **14 Years**

(21) Appl. No.: **29/466,877**
(22) Filed: **Sep. 12, 2013**
(51) **LOC (10) Cl.** **28-03**
(52) **U.S. Cl.**
CPC **A61C 15/02** (2013.01)
USPC **D28/65**
(58) **Field of Classification Search**
CPC A61C 15/02
USPC D28/31, 56, 65-68, 73; D24/152;
433/141, 146-147; 132/322-329
See application file for complete search history.

(56) **References Cited**
U.S. PATENT DOCUMENTS
2,070,976 A * 2/1937 Petersen 294/61
D192,282 S * 2/1962 Newmans D28/10

D207,245 S * 3/1967 Lynn D7/683
3,772,809 A * 11/1973 Schneller 40/637
D311,119 S * 10/1990 LaBarbera D7/684
D413,051 S * 8/1999 Torelli D7/684
8,465,069 B2 * 6/2013 McCartor 294/61

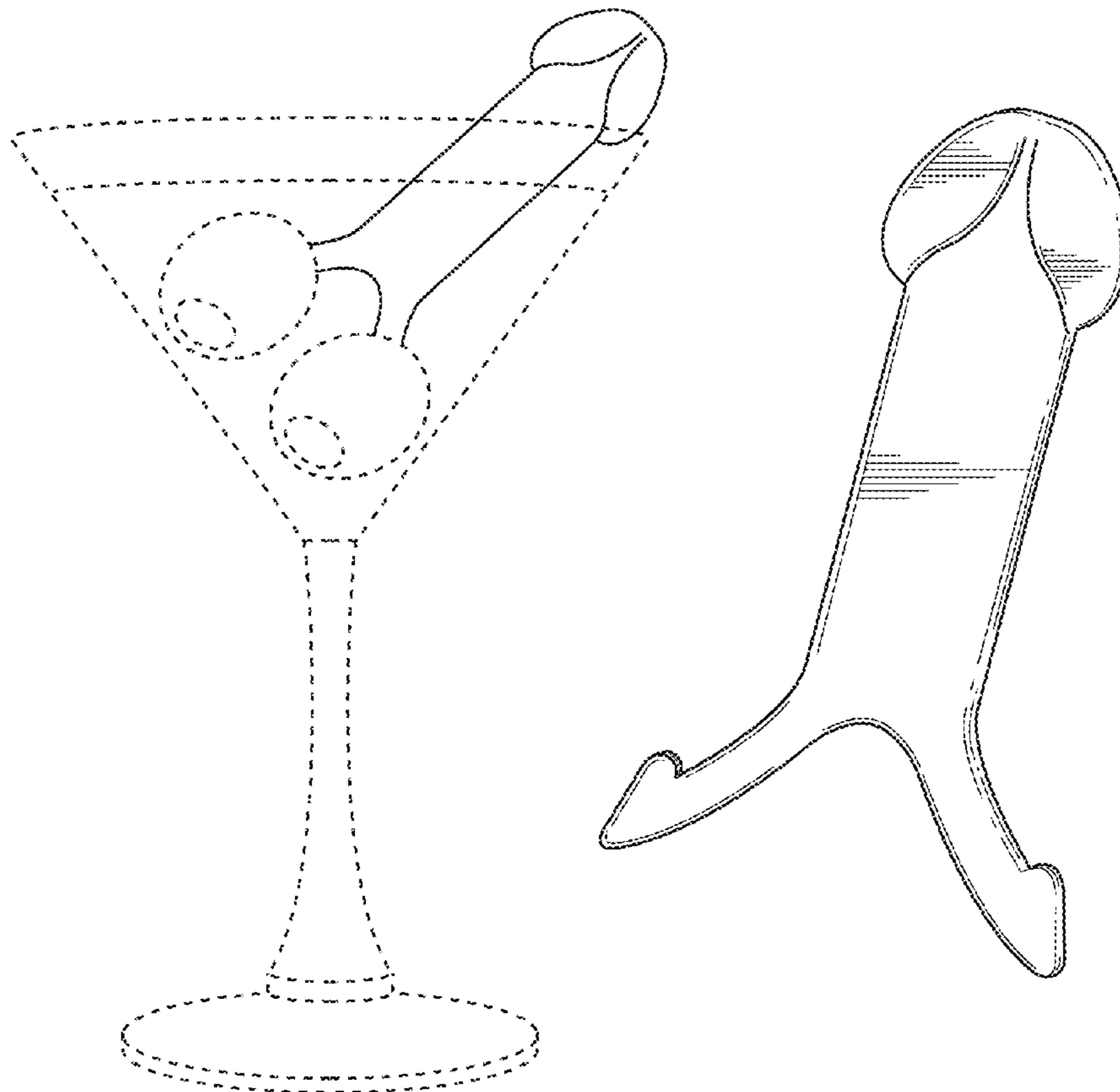
* cited by examiner
Primary Examiner — Zenia Bennett

(57) **CLAIM**
An ornamental design for a decorative tooth pick, as shown and described.

DESCRIPTION

FIG. 1 is a perspective view of the decorative tooth pick in the environment of a martini glass.
FIG. 2 is a perspective front view of the decorative tooth pick.
FIG. 3 is a top view of the decorative tooth pick.
FIG. 4 is a bottom view of the decorative tooth pick.
FIG. 5 is a front view of the decorative tooth pick.
FIG. 6 is a rear view of the decorative tooth pick.
FIG. 7 is a right side view of the decorative tooth pick; and, FIG. 8 is a left side view of the decorative tooth pick.
The long dashed lines in FIG. 1 represent unclaimed subject matter comprising a martini glass, and two olives.

1 Claim, 2 Drawing Sheets



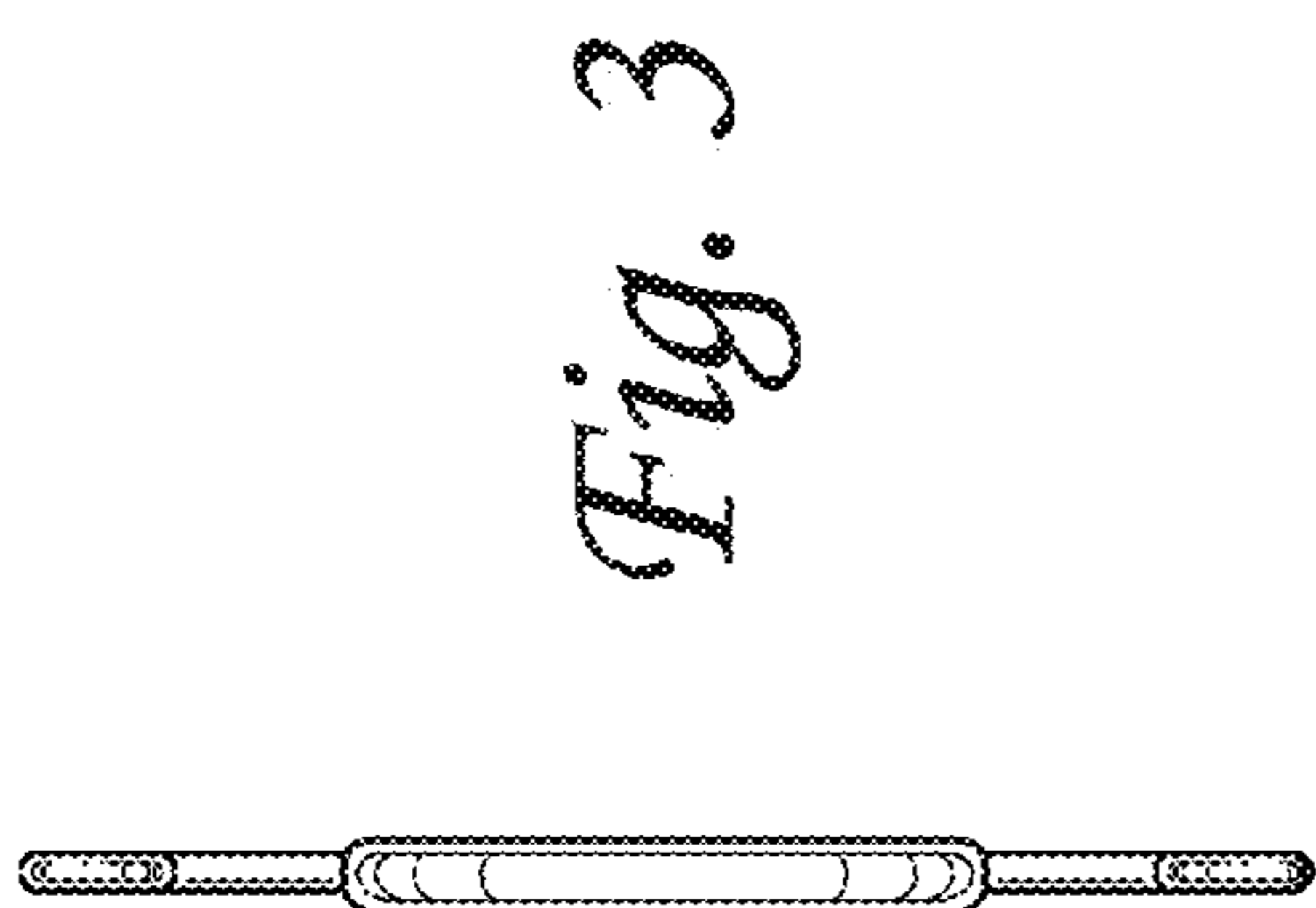


Fig. 3

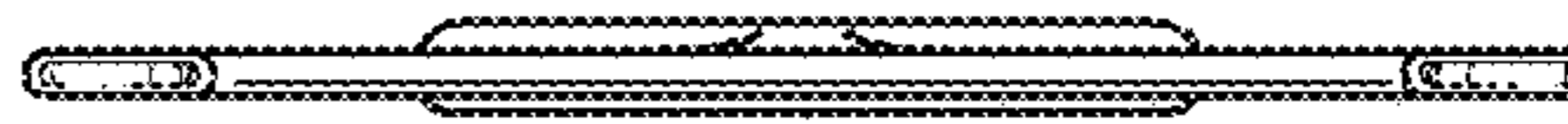


Fig. 4

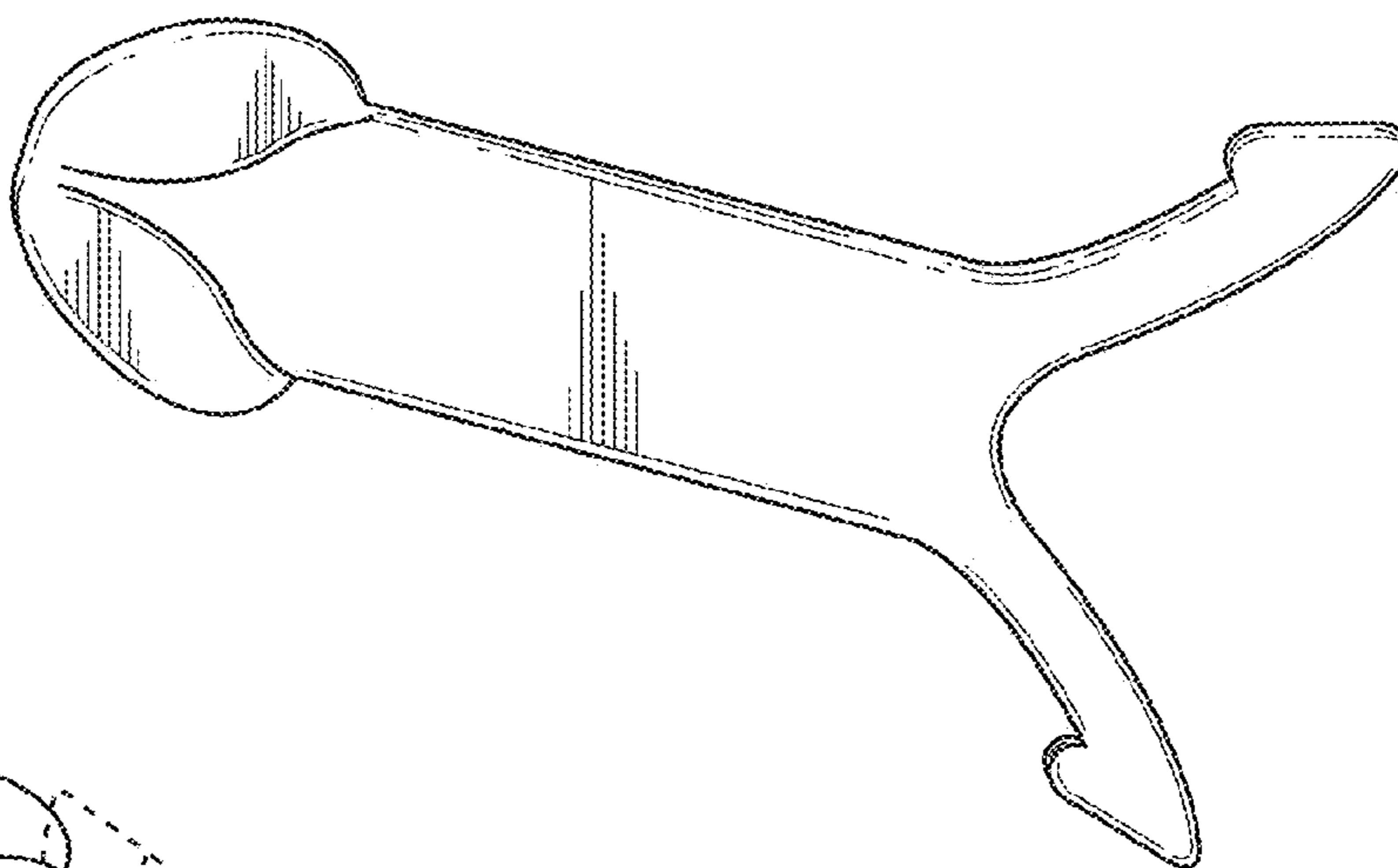


Fig. 2

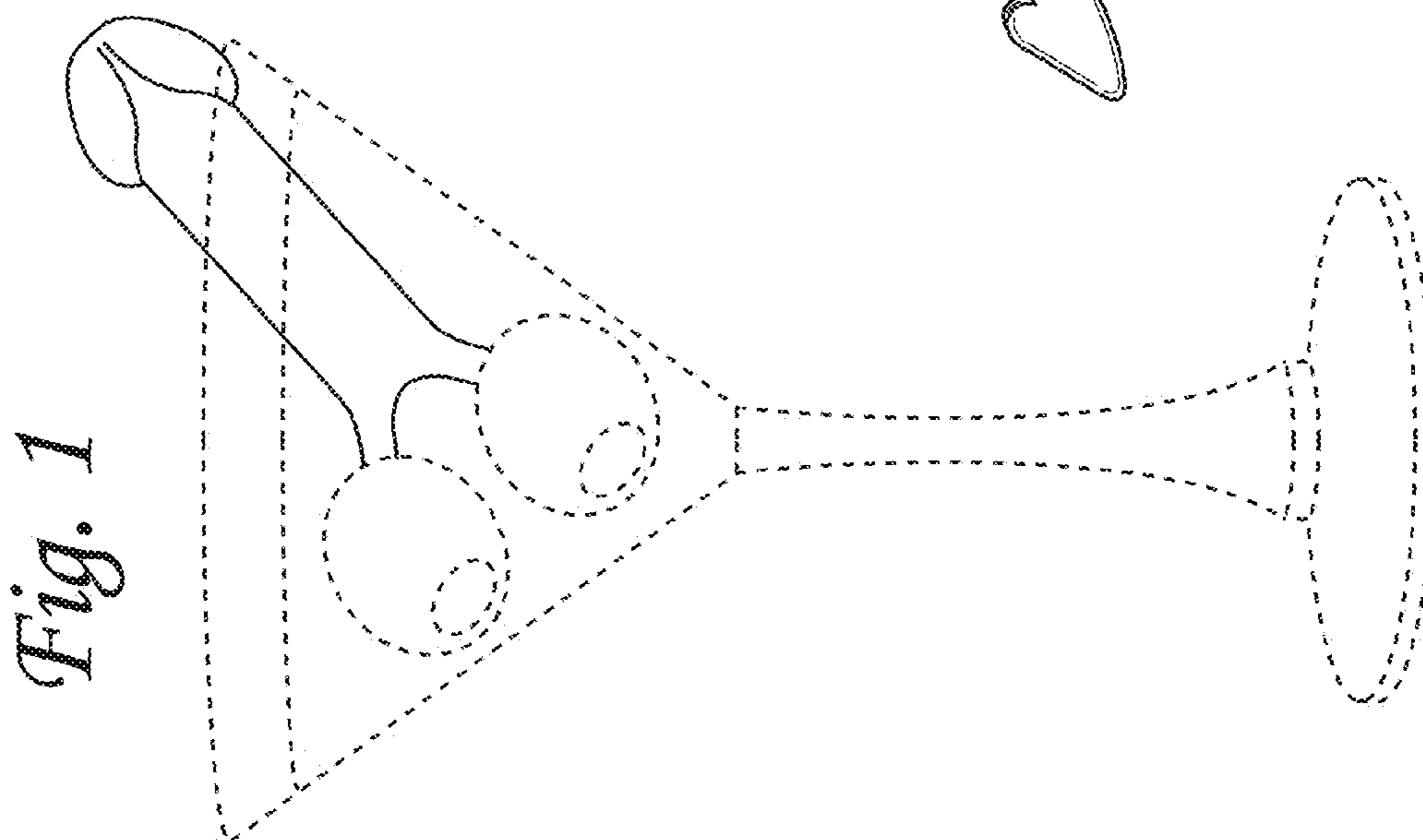


Fig. 1

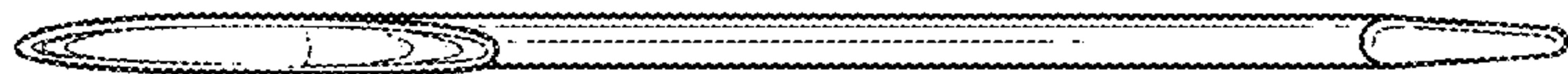


Fig. 7

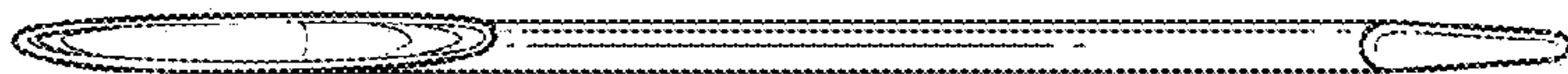


Fig. 8

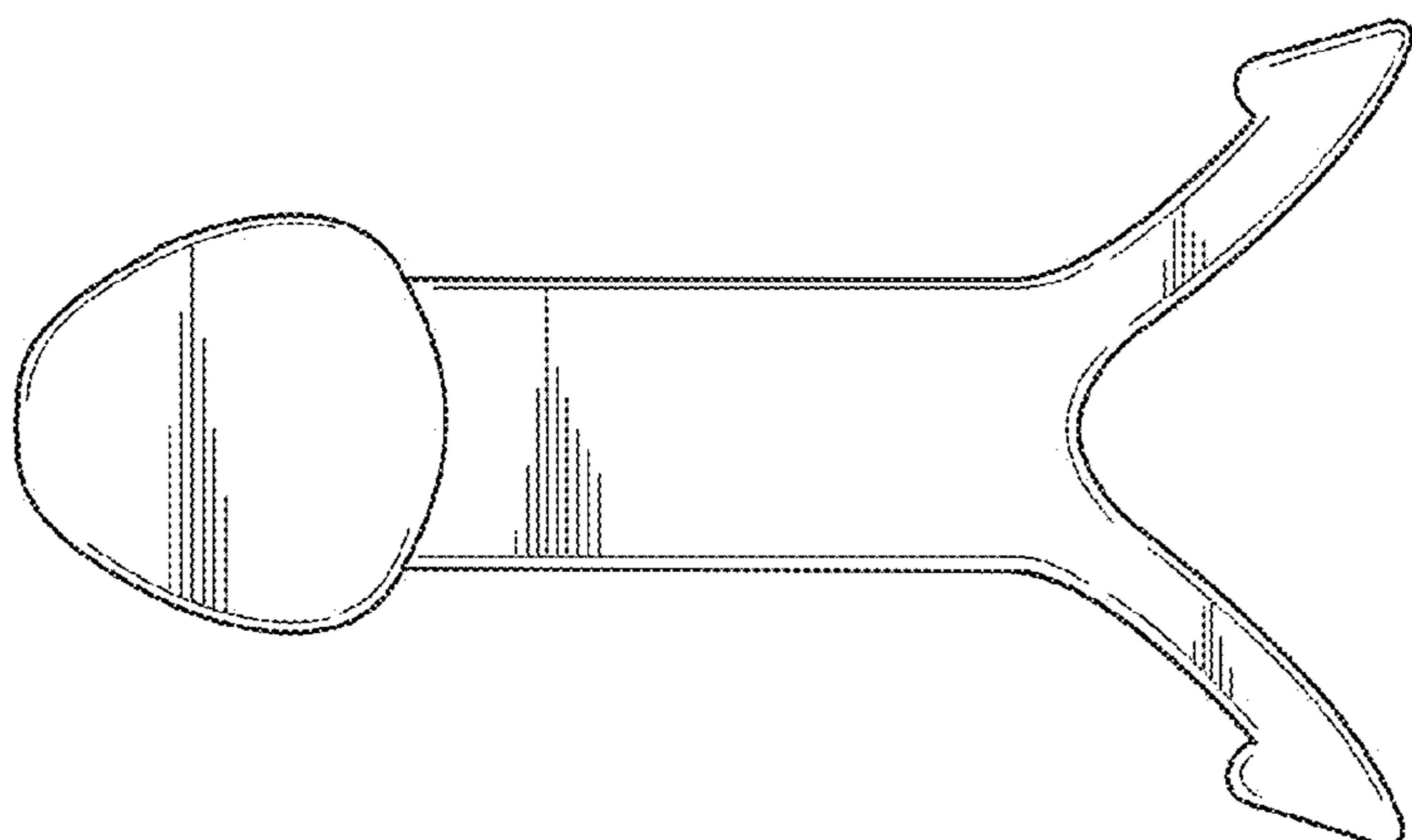


Fig. 6

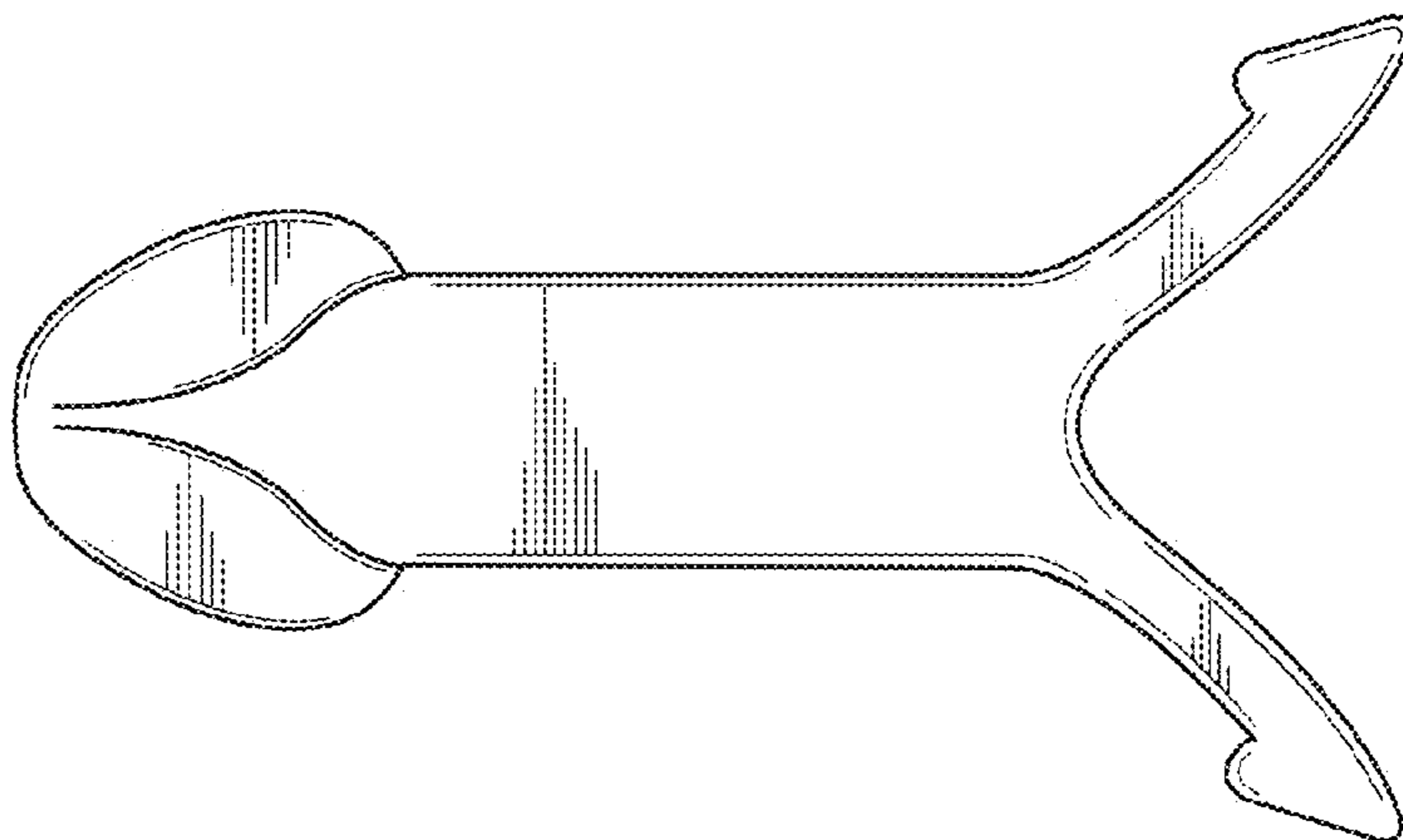


Fig. 5