



US00D713598S

(12) **United States Design Patent**
Ghiotti et al.

(10) **Patent No.:** **US D713,598 S**

(45) **Date of Patent:** **** Sep. 16, 2014**

(54) **CONTAINER FOR POUCHES OF SMOKELESS TOBACCO**

(75) Inventors: **Roberto Ghiotti**, Calderino di Monte San Pietro (IT); **Fulvio Boldrini**, Ferrara (IT)

(73) Assignee: **Azionaria Construzioni Macchine Automatiche A.C.M.A. S.p.A.** (IT)

(**) Term: **14 Years**

(21) Appl. No.: **29/388,822**

(22) Filed: **Apr. 1, 2011**

Related U.S. Application Data

(62) Division of application No. 29/365,192, filed on Jul. 6, 2010, now Pat. No. Des. 637,903.

(30) **Foreign Application Priority Data**

Jan. 21, 2010 (IT) BO2010O0001

(51) **LOC (10) Cl.** **27-06**

(52) **U.S. Cl.**
USPC **D27/186; D9/428**

(58) **Field of Classification Search**
USPC D27/172, 183, 184, 185, 186, 187, 189, D27/190, 191, 193; 131/112, 240.1, 241, 131/242, 329; D9/428, 756, 504, 737, 738, D9/772, 779, 780; 206/256, 242, 265, 37; D3/203.2, 203.3

See application file for complete search history.

(56) **References Cited**

U.S. PATENT DOCUMENTS

700,395 A * 5/1902 Wilcox 206/256
2,597,130 A 5/1952 Ross
D167,554 S * 8/1952 Bergman D27/121
3,334,731 A 8/1967 Dale
4,646,933 A * 3/1987 Jurczenia et al. 220/799

4,804,101 A * 2/1989 Heath 220/504
D332,328 S 1/1993 Lombardi
D409,086 S 5/1999 Brown et al.
D431,458 S 10/2000 Bried et al.
D451,666 S * 12/2001 Zastrow D3/203.3
D494,474 S * 8/2004 Houk et al. D9/504
D510,524 S * 10/2005 Houk et al. D9/503
D531,036 S * 10/2006 Bried et al. D9/504
7,326,428 B2 2/2008 Weir

(Continued)

OTHER PUBLICATIONS

Ghiotti—U.S. Appl. No. 90/013,127, filed Oct. 15, 2013.

(Continued)

Primary Examiner — Susan Bennett Hattan

Assistant Examiner — Janice Hallmark

(74) *Attorney, Agent, or Firm* — Timothy J. Klima; Shuttleworth & Ingersoll, PLC

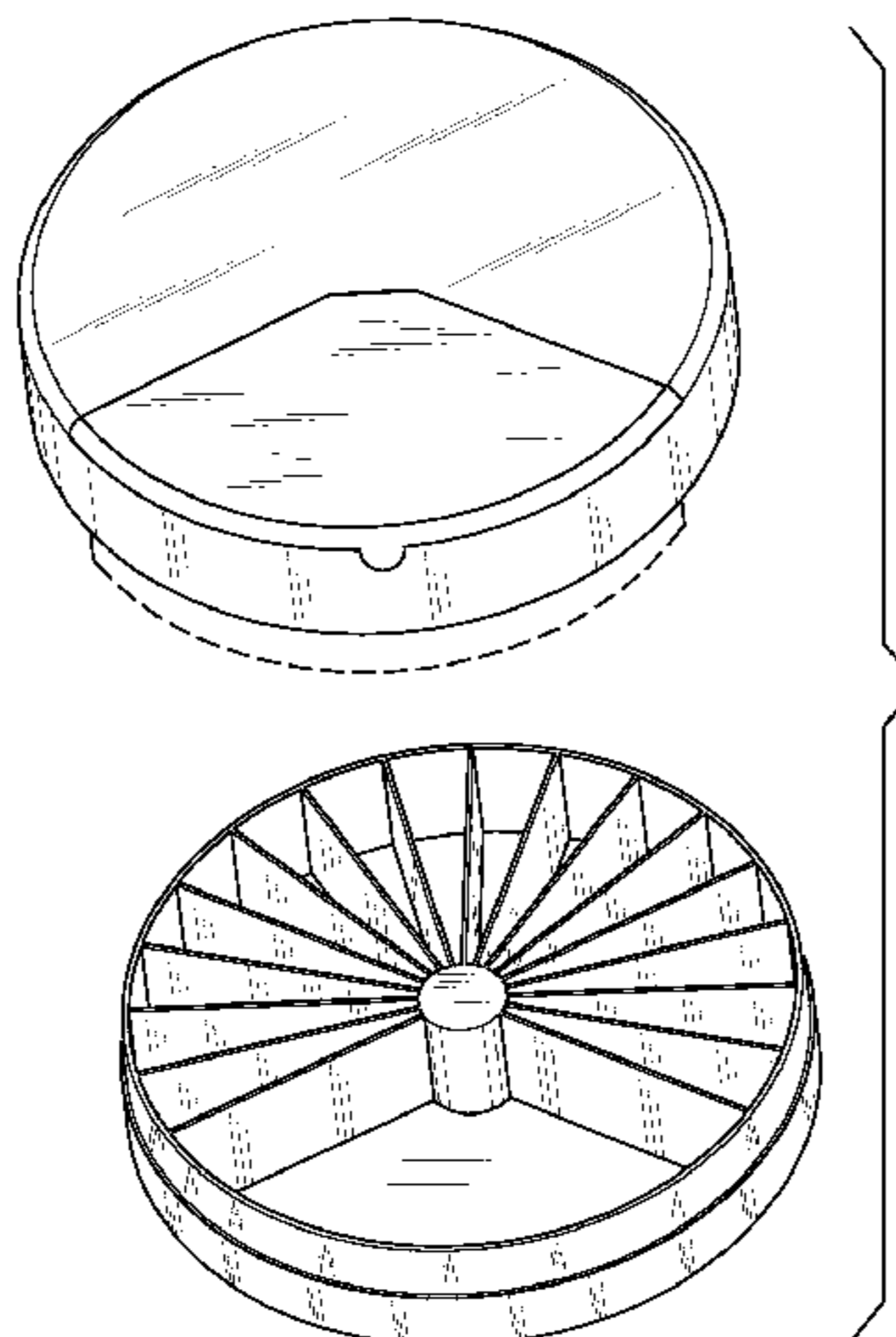
(57) **CLAIM**

The ornamental design for a container for pouches of smokeless tobacco, as shown and described.

DESCRIPTION

FIG. 1 is an exploded perspective view of a container for pouches of smokeless tobacco, showing our new design; FIG. 2 is a perspective view of the container with the lid in place showing the compartment open; FIG. 3 is a top plan view of the container, shown without the lid; FIG. 4 is an exploded side view of the container with the lid raised. FIG. 5 is a side view of the container with the compartment open; and, FIG. 6 is a side view of the container with the compartment closed. The broken lines in the drawings represent unclaimed environmental subject matter.

1 Claim, 1 Drawing Sheet



(56)

References Cited

U.S. PATENT DOCUMENTS

D581,809 S * 12/2008 Wichowski D9/772
 D600,441 S * 9/2009 Estrada D3/203.3
 D603,698 S * 11/2009 VerWeyst D9/500
 7,798,319 B1 * 9/2010 Bried et al. 206/242
 D626,687 S * 11/2010 Gibson et al. D27/183
 D637,903 S * 5/2011 Ghiotti et al. D9/428
 D641,257 S * 7/2011 Thiebaut et al. D9/738
 D651,519 S * 1/2012 Gibson et al. D9/529
 D660,693 S * 5/2012 Berggren D9/428
 D664,840 S * 8/2012 Jones et al. D9/423

8,250,975 B2 * 8/2012 Cronin et al. 100/233
 2005/0173272 A1 * 8/2005 Lemmons 206/256
 2006/0018786 A1 * 1/2006 Tolman et al. 422/5
 2006/0060480 A1 * 3/2006 Budd 206/266
 2009/0162506 A1 6/2009 Weir
 2010/0043812 A1 * 2/2010 Yount 131/329
 2010/0065076 A1 * 3/2010 Bergstrom et al. 131/329
 2010/0065077 A1 * 3/2010 Lofgreen-Ohrn et al. 131/329

OTHER PUBLICATIONS

Ghiotti—U.S. Appl. No. 90/013,128, filed Jan. 22, 2014.

* cited by examiner

FIG.1

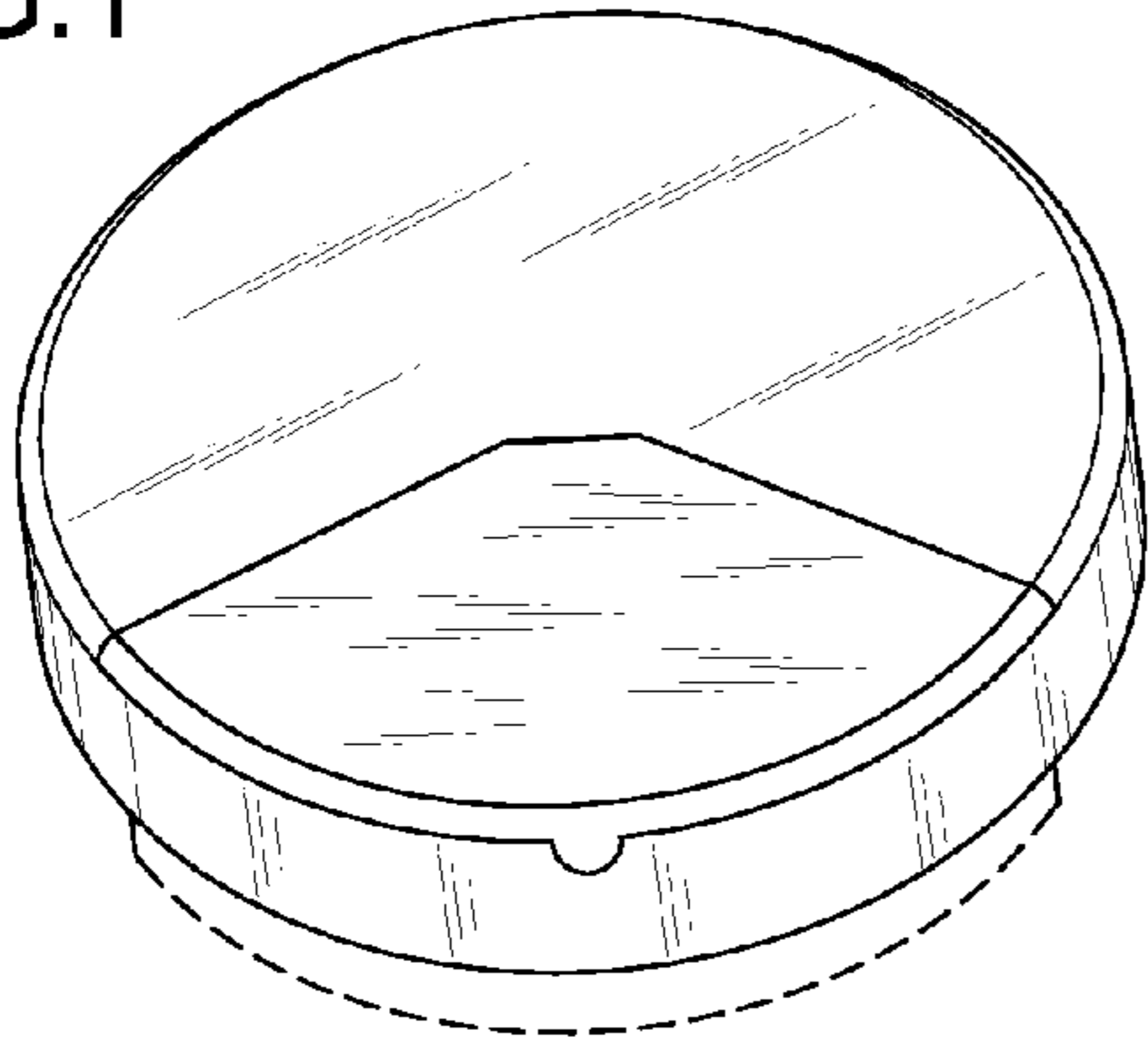


FIG.2

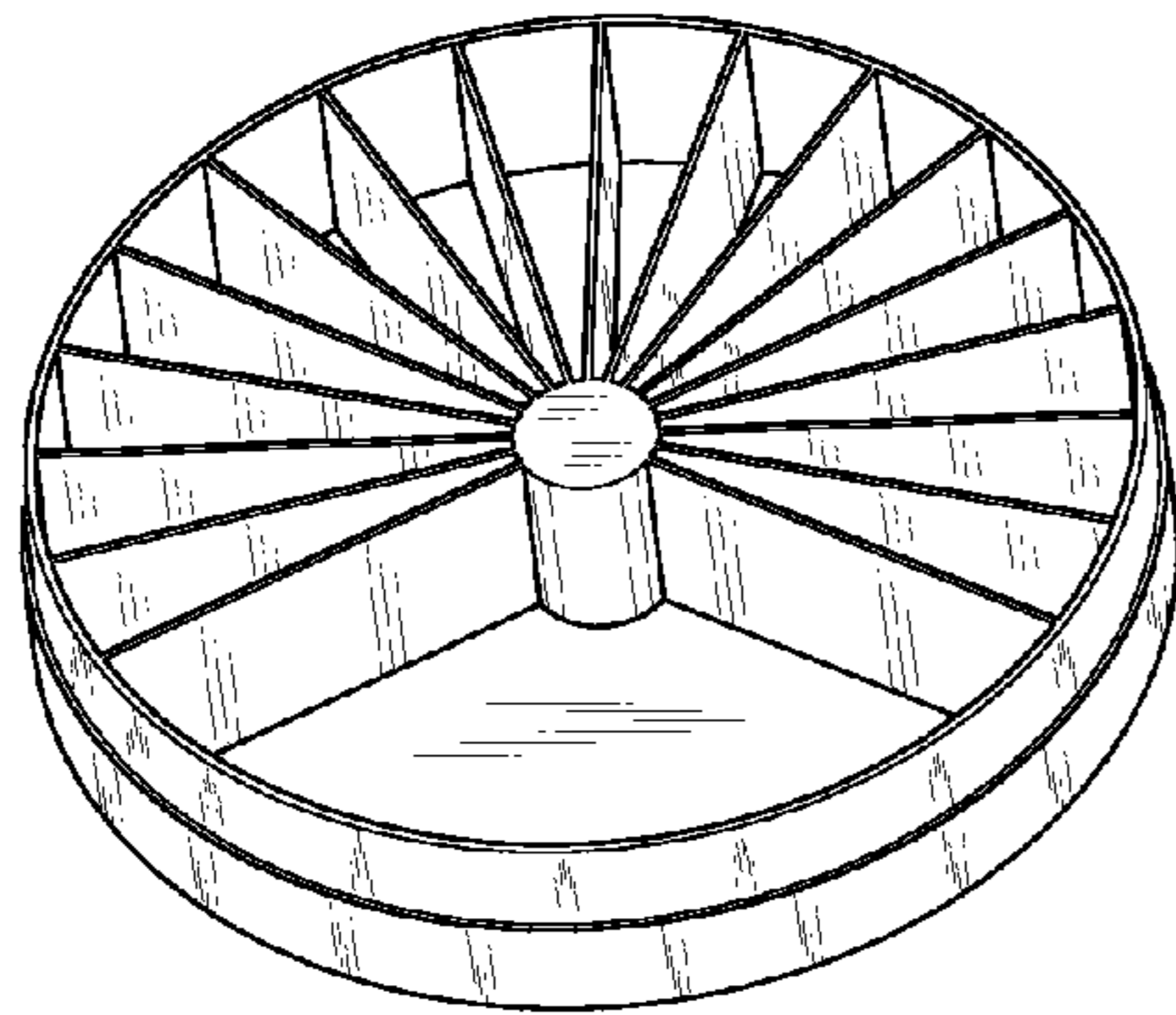
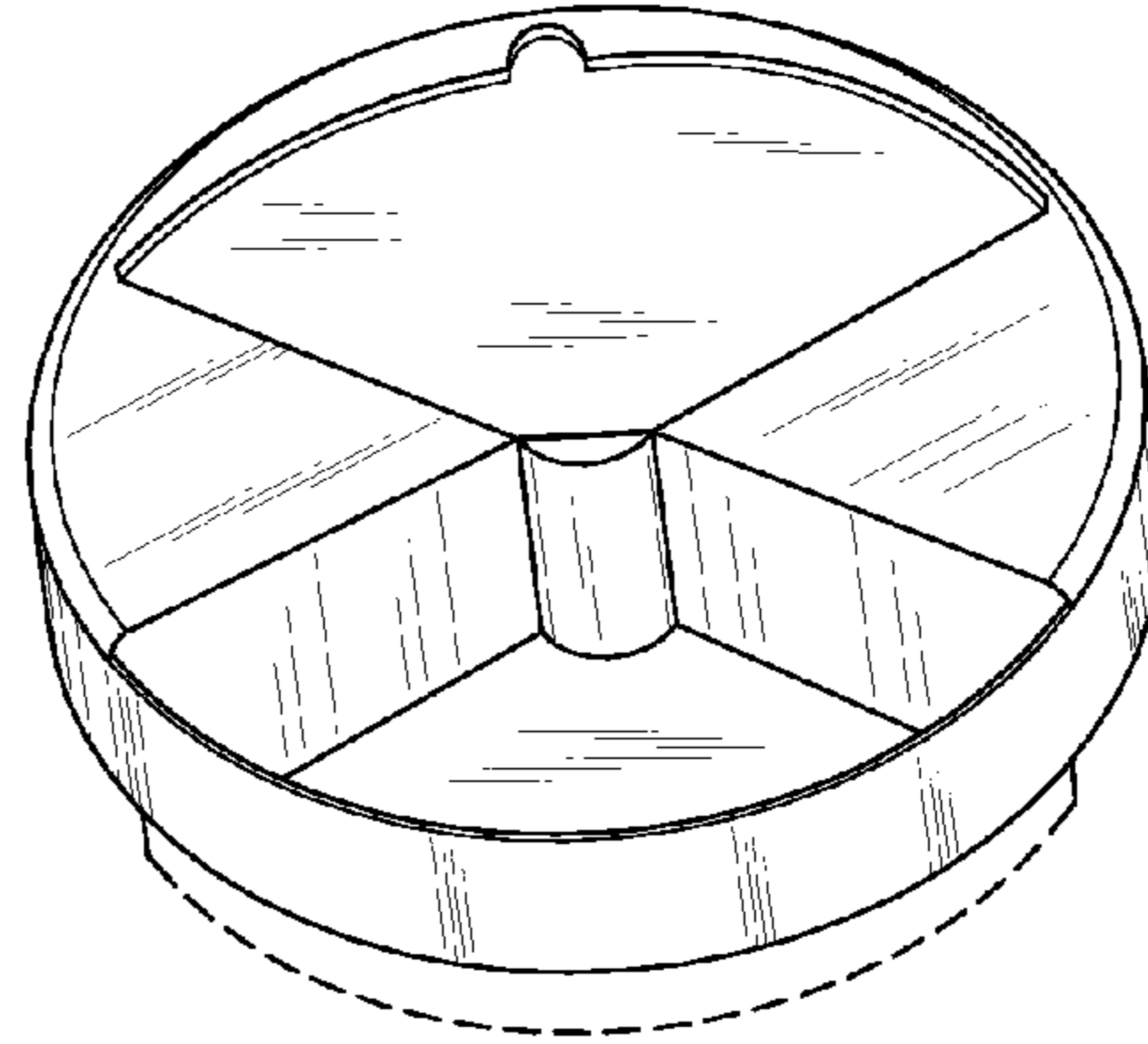


FIG.3

FIG.4

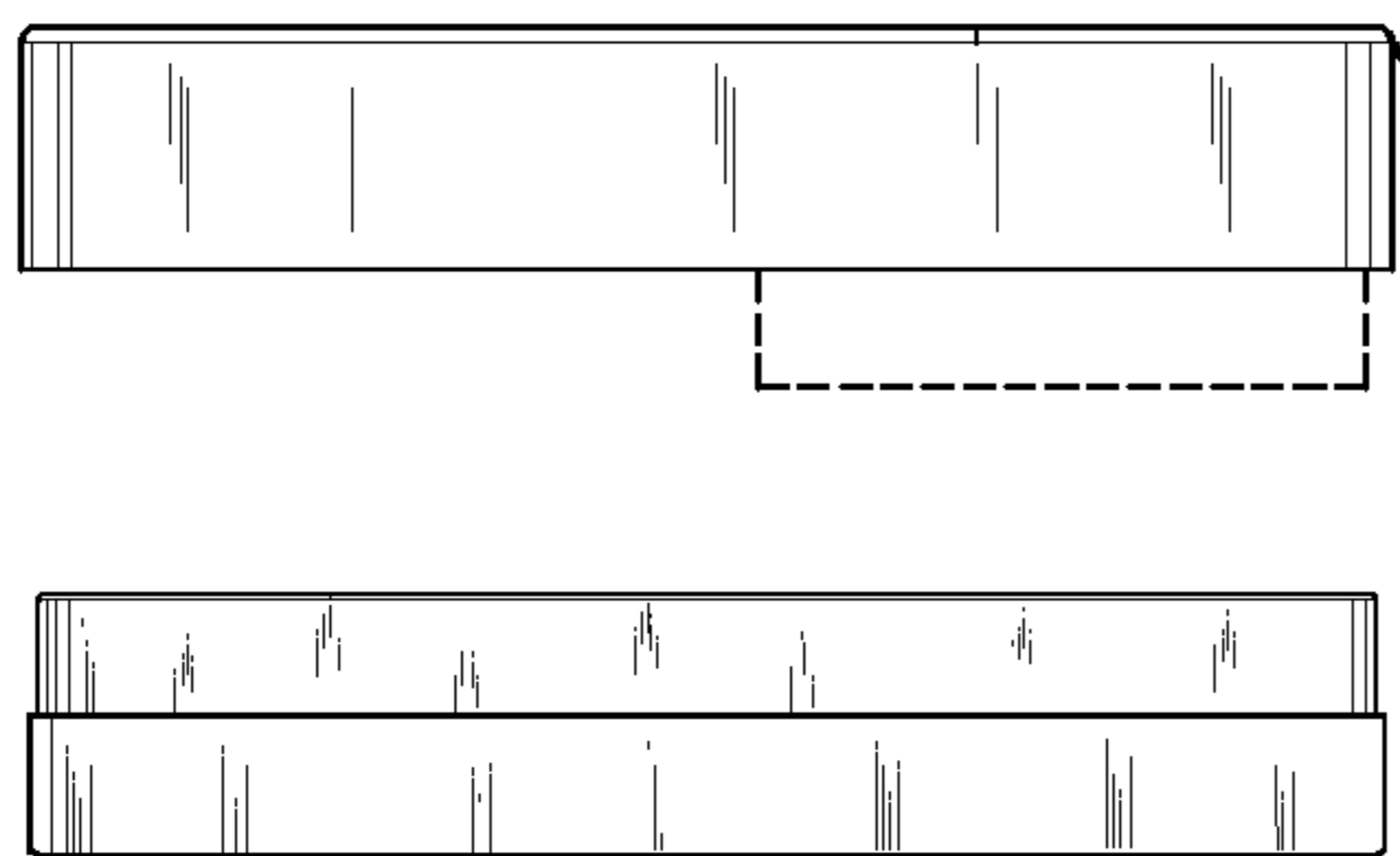


FIG.5

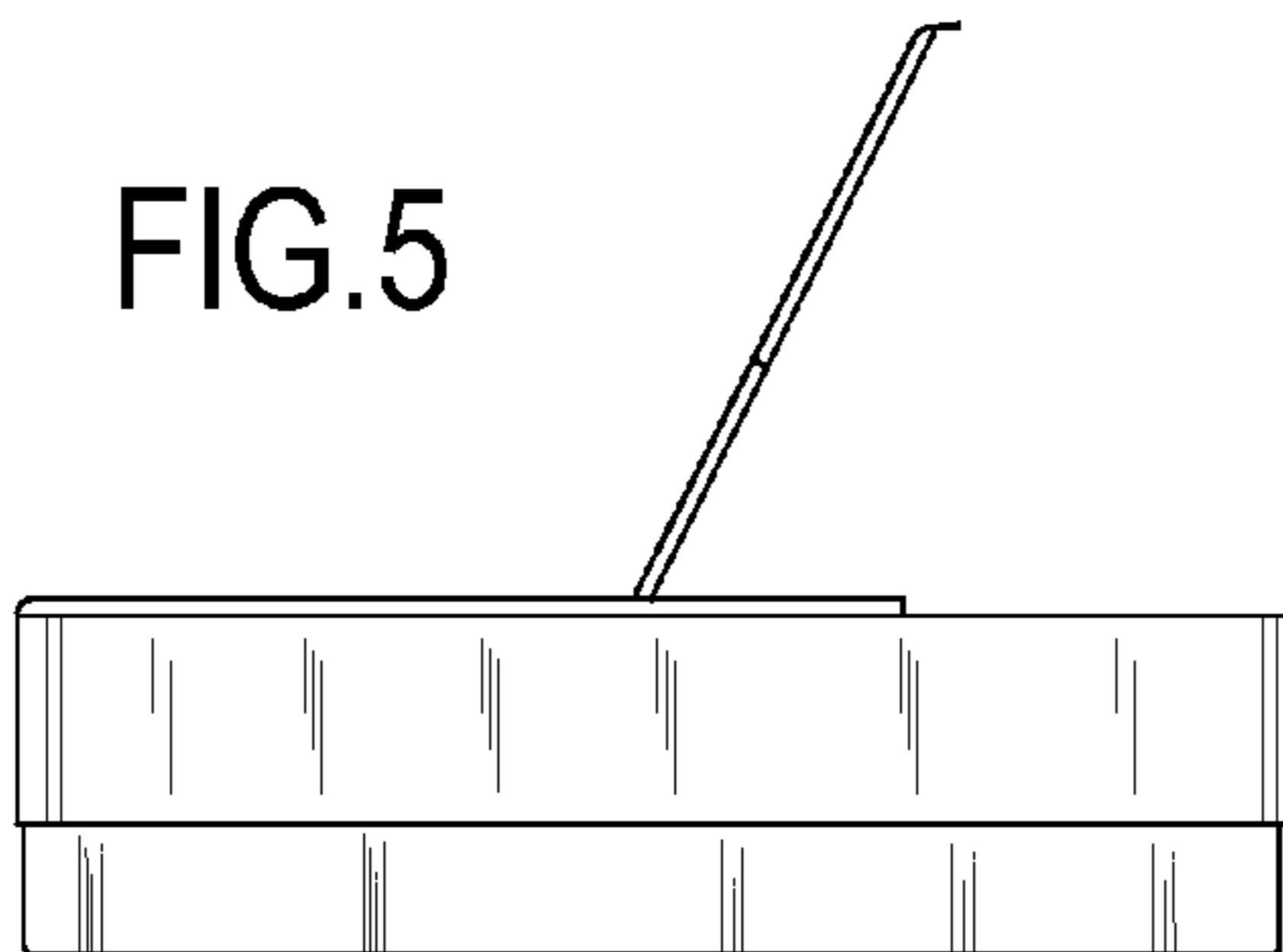


FIG.6

