



US00D713595S

(12) **United States Design Patent**
Lechtenberg et al.

(10) **Patent No.:** **US D713,595 S**

(45) **Date of Patent:** **** Sep. 16, 2014**

(54) **LIGHT FIXTURE**

(71) Applicants: **Rolf Martin Lechtenberg**, Dortmund (DE); **Henk Kosche**, Luedenscheid (DE)

(72) Inventors: **Rolf Martin Lechtenberg**, Dortmund (DE); **Henk Kosche**, Luedenscheid (DE)

(73) Assignee: **ErcO GmbH**, Luedenscheid (DE)

(**) Term: **14 Years**

(21) Appl. No.: **29/487,472**

(22) Filed: **Apr. 9, 2014**

(30) **Foreign Application Priority Data**

Oct. 14, 2013 (EM) 001386791

(51) **LOC (10) Cl.** **26-99**

(52) **U.S. Cl.**
USPC **D26/118**

(58) **Field of Classification Search**

CPC F21S 8/00; F21S 8/02; F21S 8/003;
F21S 8/026; F21S 8/03; F21S 8/038; F21S
8/04; F21S 8/043; F21S 6/00; F21V 21/02;
F21V 15/01; F21V 1/00; F21V 5/00; F21V
5/04; F21V 5/046

USPC D26/118, 119, 120, 64, 65, 72, 124,
D26/125, 138, 128, 132, 84, 85, 86, 87, 69,
D26/62, 1, 2, 113, 123, 134, 135, 89, 90, 24,
D26/145, 142, 74, 63, 88; 362/147, 364,
362/362, 365, 294, 249.03, 249.02, 282,
362/275, 190, 341, 249.01, 241; D13/179,
D13/180, 182

See application file for complete search history.

(56) **References Cited**

U.S. PATENT DOCUMENTS

2,932,018 A * 4/1960 Schwartz 362/486
D190,387 S * 5/1961 Wince D26/89

D322,135 S * 12/1991 Wierzbicki et al. D26/24
D473,667 S * 4/2003 Fromm D26/56
7,152,997 B1 * 12/2006 Kovacik et al. 362/249.05
D552,779 S * 10/2007 Starck D26/63
D572,396 S * 7/2008 Guercio D26/63
D597,693 S * 8/2009 Kauffman et al. D26/63
D613,441 S * 4/2010 Dworschak et al. D26/63
D628,737 S * 12/2010 van den Akker D26/89
D632,004 S * 2/2011 Waldmann D26/88
D641,098 S * 7/2011 Wildner D26/89
D645,594 S * 9/2011 Grawe D26/63
D656,654 S * 3/2012 Wauters D26/89
D662,254 S * 6/2012 Lin et al. D26/92
D663,881 S * 7/2012 Janssen D26/74
D668,374 S * 10/2012 Wauters D26/89
D681,867 S * 5/2013 Wegger et al. D26/124
D694,925 S * 12/2013 Fukasawa et al. D26/63
D698,974 S * 2/2014 Anisierowicz et al. D26/74
D700,726 S * 3/2014 Kim et al. D26/63
D702,393 S * 4/2014 Anisierowicz et al. D26/89
2008/0084698 A1 * 4/2008 Kinnune et al. 362/365

* cited by examiner

Primary Examiner — Kevin Rudzinski

(74) *Attorney, Agent, or Firm* — Andrew Wilford

(57) **CLAIM**

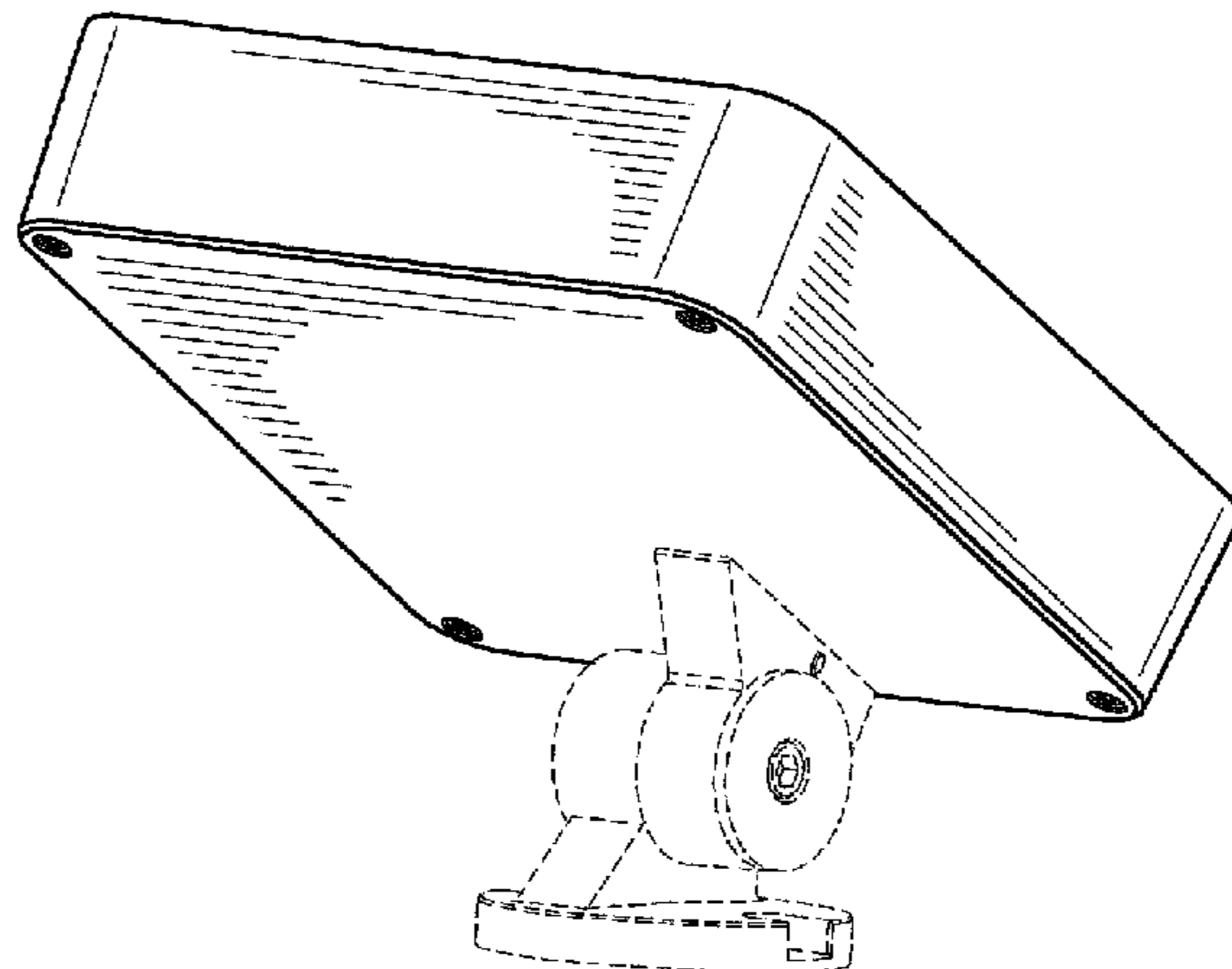
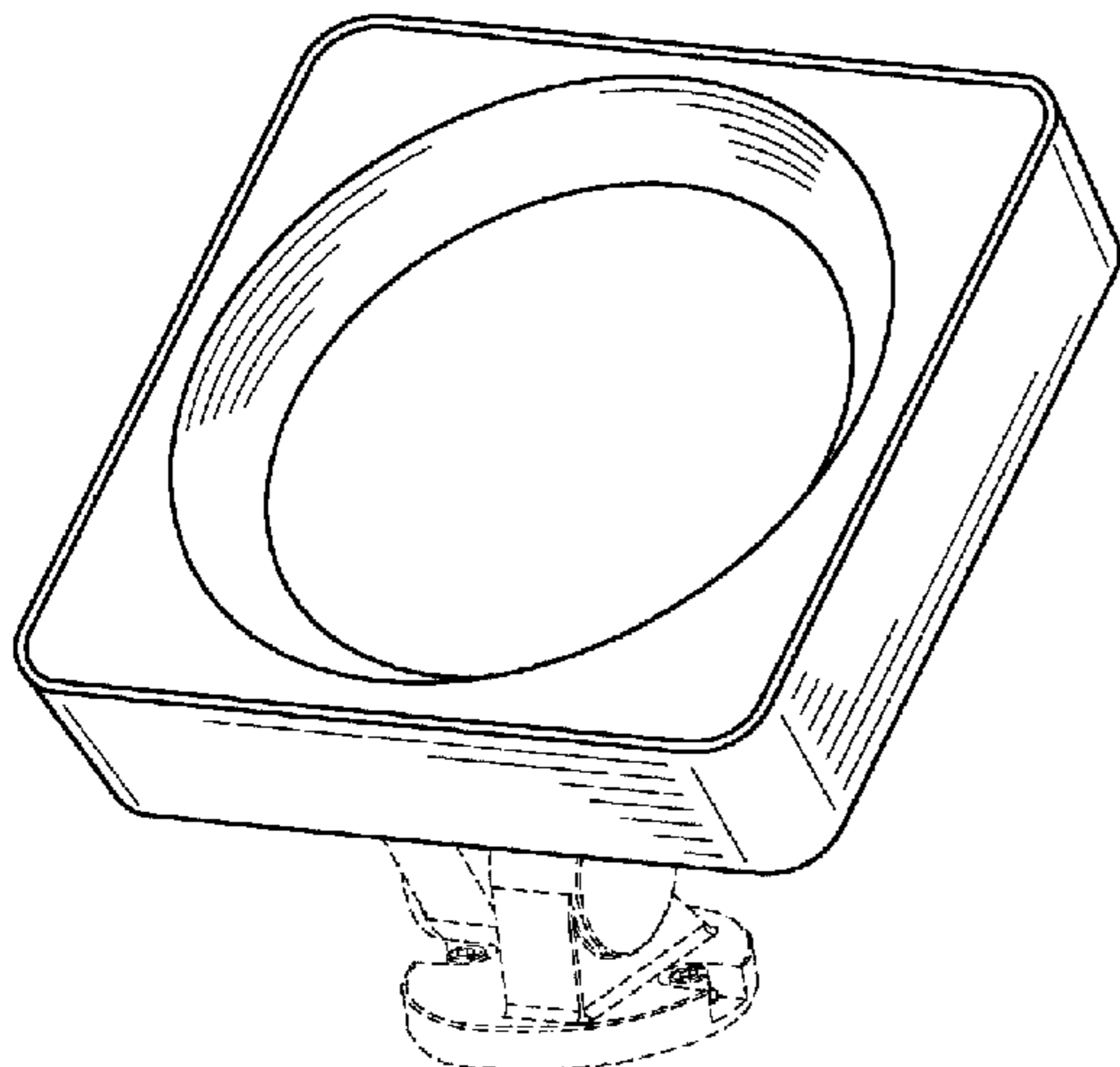
The ornamental design for a light fixture, as shown and described.

DESCRIPTION

FIG. 1 is a front perspective view of the invention;
FIG. 2 is a rear perspective view of the invention;
FIG. 3 is a front elevational view of the invention;
FIG. 4 is a left-side elevational view of the invention;
FIG. 5 is a right-side elevational view of the invention;
FIG. 6 is a bottom view of the invention; and,
FIG. 7 is a top view of the invention.

The instant invention is a generally parallelepipedal light fixture with a circular recessed lens on its front face and a disclaimed pivotal base fixed to its planar back face. An unillustrated light source inside the fixture projects a light beam out through the circular lens.

1 Claim, 3 Drawing Sheets



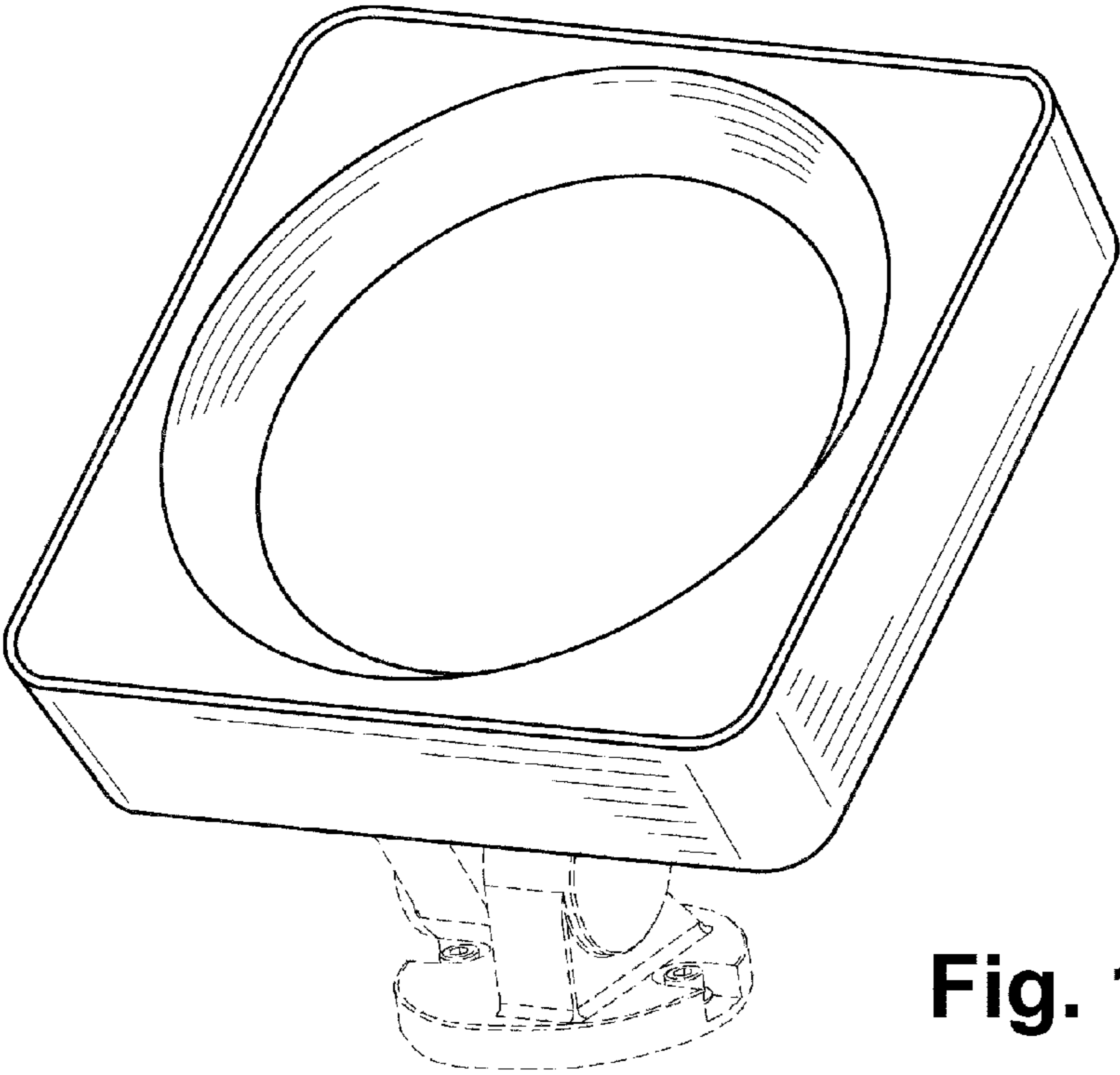


Fig. 1

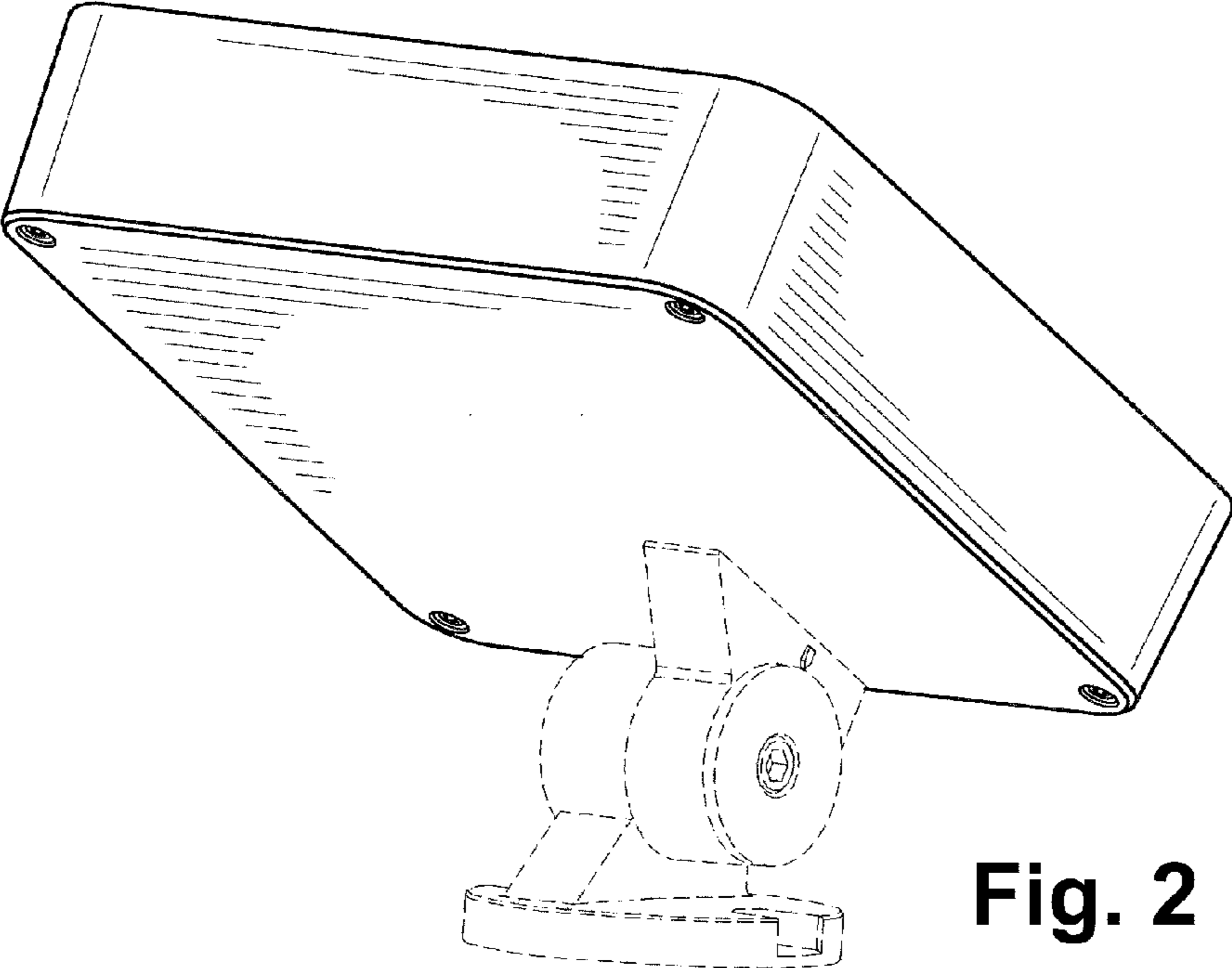


Fig. 2

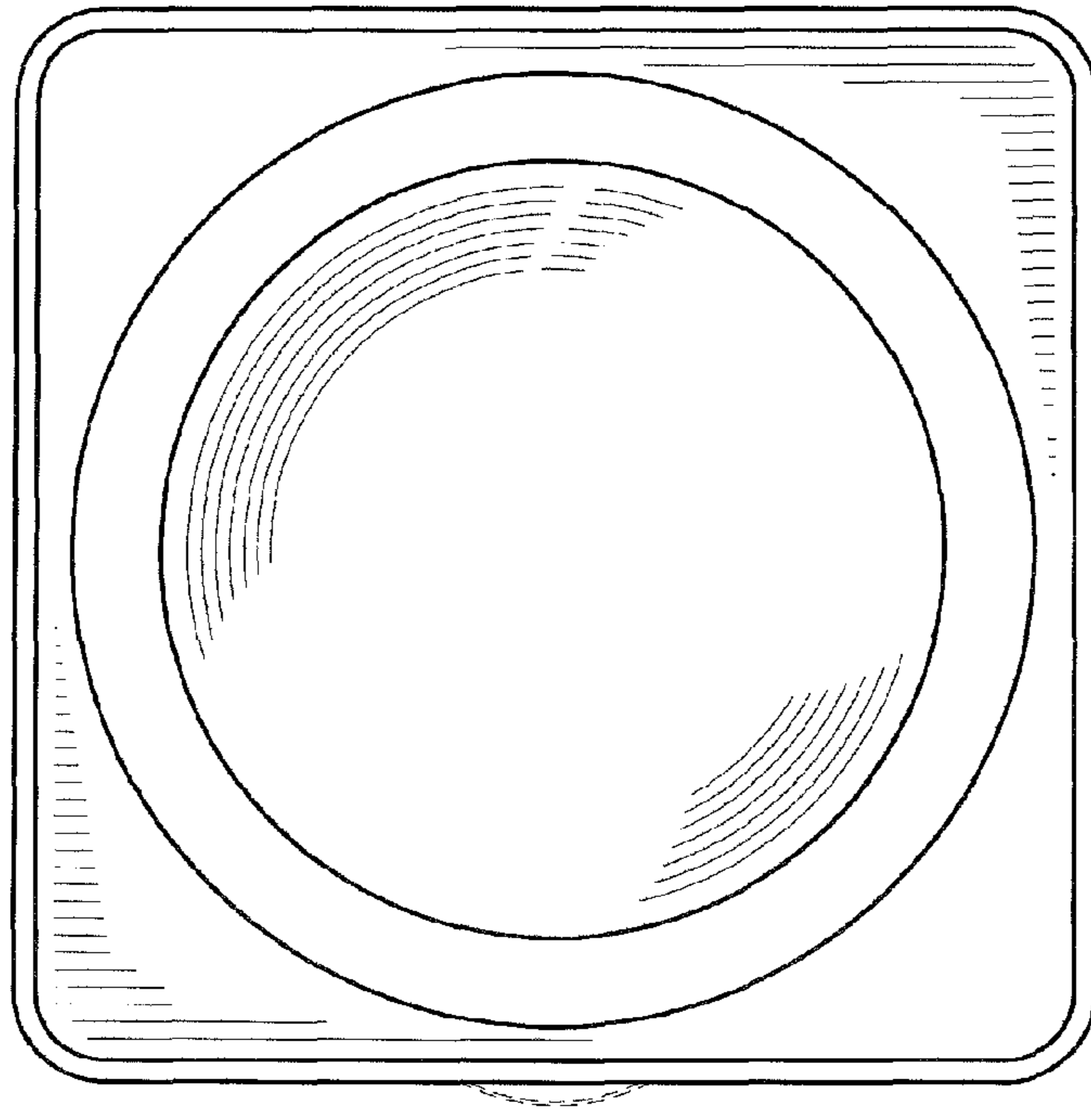


Fig. 3

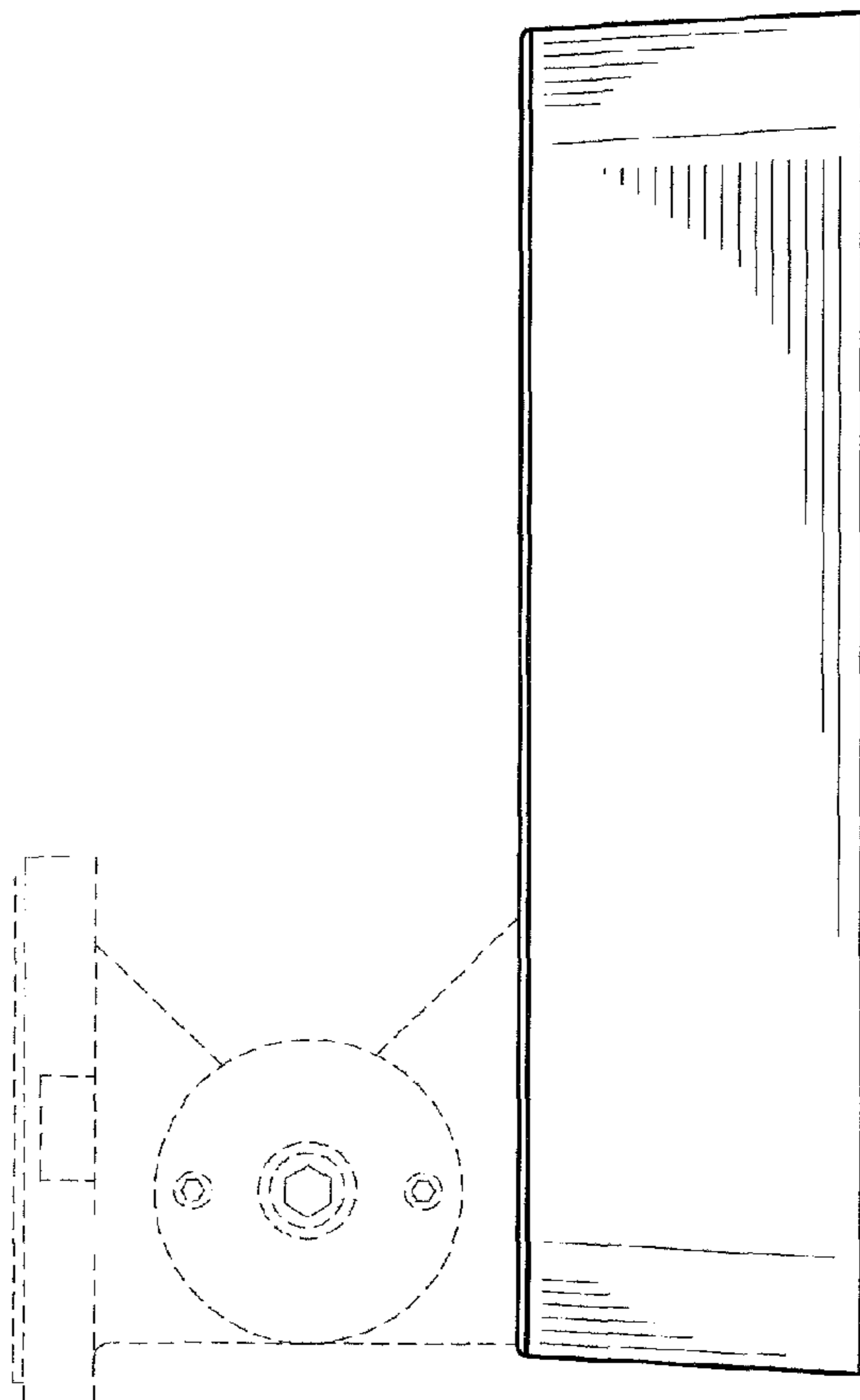


Fig. 4

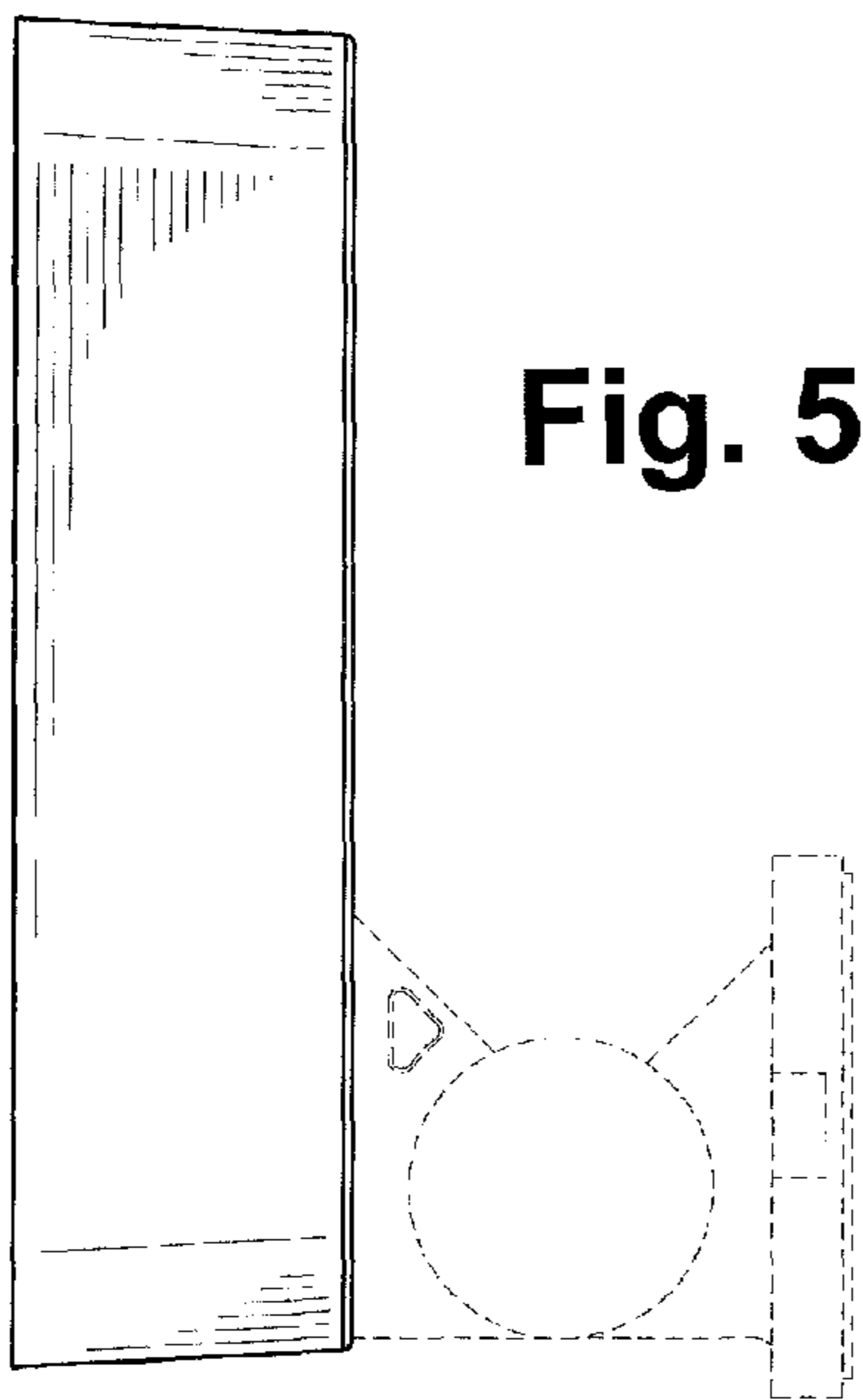


Fig. 5

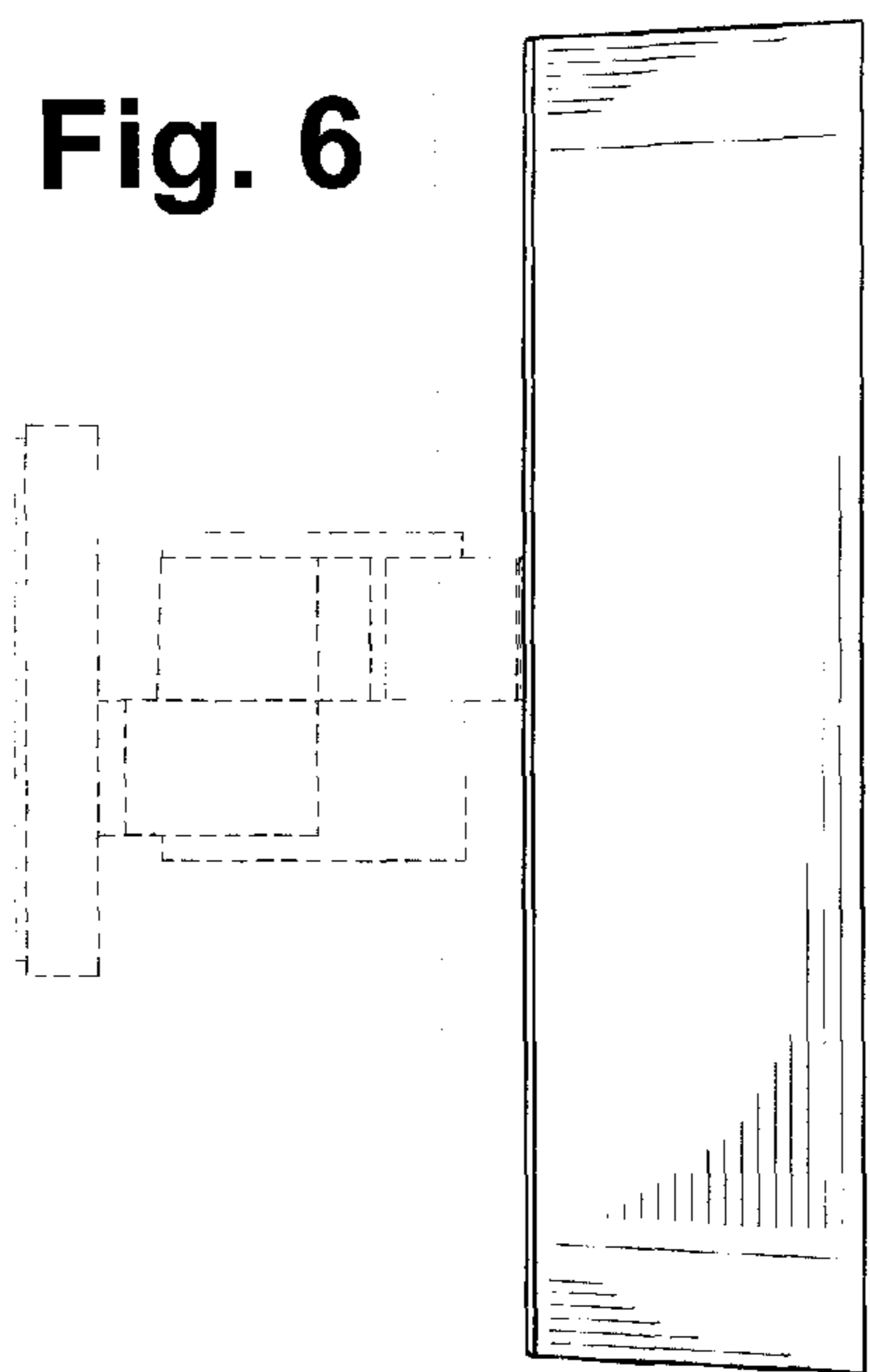


Fig. 6

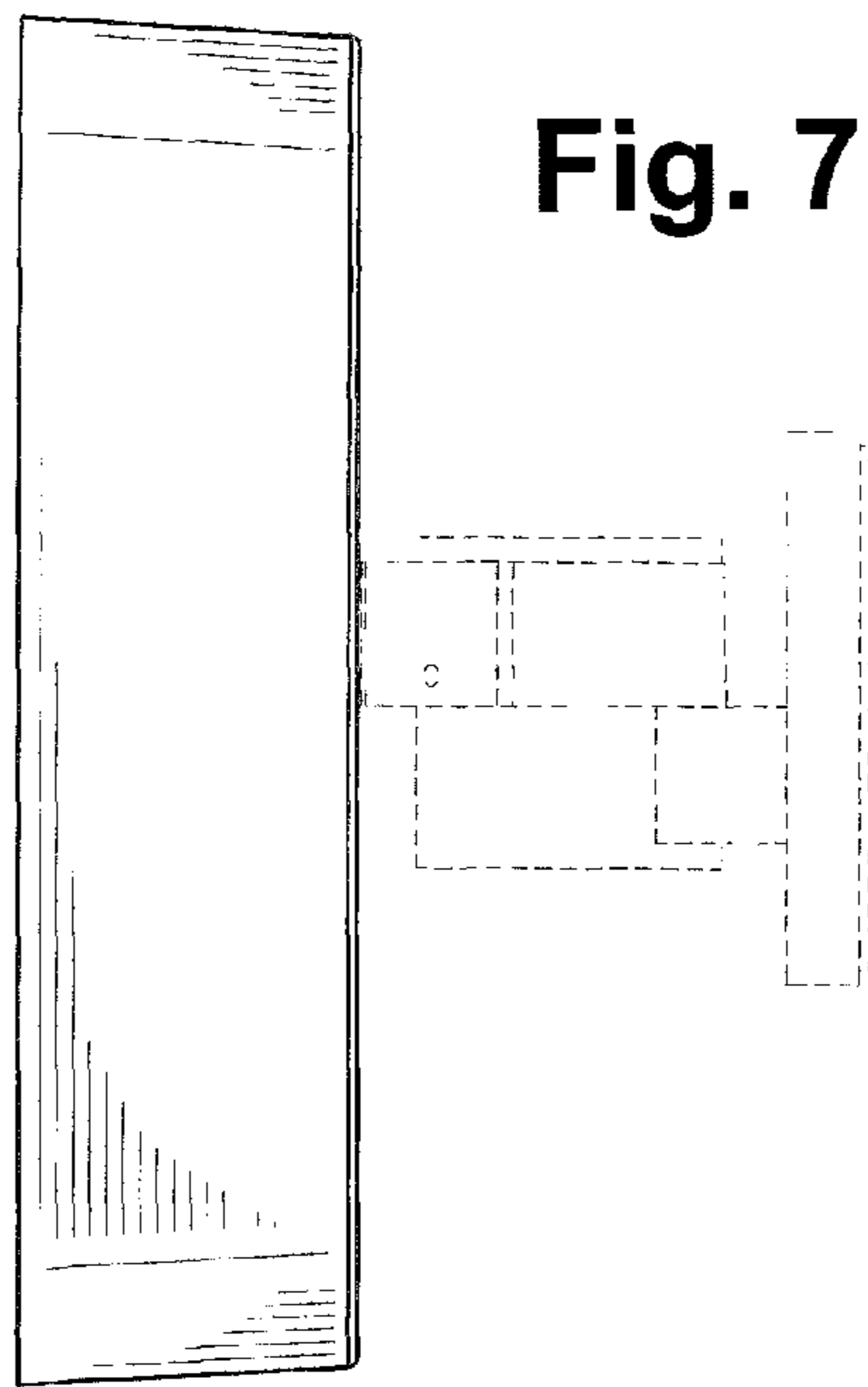


Fig. 7