



US00D713593S

(12) **United States Design Patent**  
**Smith**

(10) **Patent No.:** **US D713,593 S**  
(45) **Date of Patent:** **\*\* Sep. 16, 2014**

- (54) **OVERHEAD STREET LIGHT**
- (71) Applicant: **Evolucia Lighting, Inc.**, Sarasota, FL (US)
- (72) Inventor: **Carroll W. Smith**, Weston, FL (US)
- (73) Assignee: **Evolucia Lighting, Inc.**, Sarasota, FL (US)
- (\*\*) Term: **14 Years**
- (21) Appl. No.: **29/455,223**
- (22) Filed: **May 17, 2013**
- (51) **LOC (10) Cl.** ..... **26-99**
- (52) **U.S. Cl.**  
USPC ..... **D26/118**
- (58) **Field of Classification Search**  
USPC ..... D26/152, 113, 118, 119, 154, 61, 62, D26/65, 75, 16, 1, 2, 3, 120, 138, 128, 155, D26/76, 121, 124, 125, 123, 141, 142, 66, D26/68, 86, 71, 72, 77, 78, 151, 145, 74, 85, D26/89, 82, 84, 92, 87, 136, 63, 59, 58, 28, D26/88, 11, 9, 22, 81, 127, 129, 130, 131, D26/133, 134, 135, 55; D13/179, 180; 362/219, 223, 225, 347, 346, 373, 326, 362/283, 249.02, 362, 374, 375, 408, 327, 362/328, 404, 297, 147, 149, 249.03, 362/249.11; D23/377, 411, 413; D11/89, D11/90, 96, 157, 160; D99/27, 26  
See application file for complete search history.

- D545,988 S \* 7/2007 Goetz-Schaefer ..... D26/74
- D616,592 S \* 5/2010 Chen ..... D26/71
- 7,758,211 B2 \* 7/2010 Zheng et al. .... 362/249.02
- D624,686 S \* 9/2010 Toney et al. .... D26/72
- D627,911 S \* 11/2010 Mo et al. .... D26/72
- D634,875 S \* 3/2011 Jiang et al. .... D26/71
- D645,604 S \* 9/2011 Kauffman et al. .... D26/118
- D648,885 S \* 11/2011 Toratani ..... D26/71
- D650,513 S \* 12/2011 Blincoe et al. .... D26/118
- D672,492 S \* 12/2012 Butler et al. .... D26/71
- D687,585 S \* 8/2013 Kim et al. .... D26/72
- D688,405 S \* 8/2013 Kim et al. .... D26/72

(Continued)

*Primary Examiner* — Kevin Rudzinski  
(74) *Attorney, Agent, or Firm* — Holland & Hart LLP

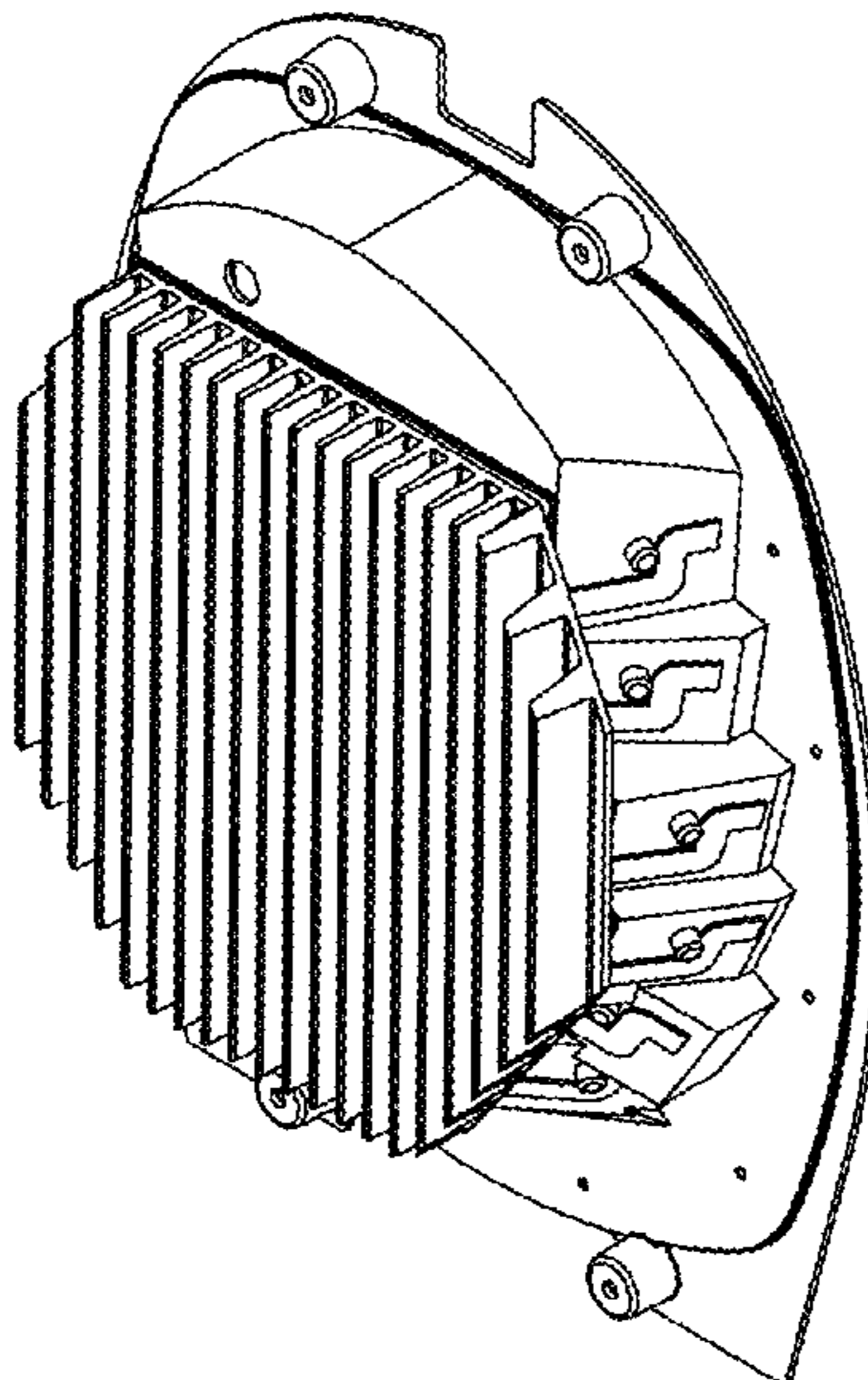
(57) **CLAIM**  
The ornamental design for an overhead street light, as shown and described.

**DESCRIPTION**

FIG. 1 is a top and front perspective view of the overhead street light, showing my new design;  
FIG. 2 is a top and rear perspective view of the design illustrated in FIG. 1;  
FIG. 3 is a front elevation view of the design illustrated in FIG. 1;  
FIG. 4 is a rear elevation view of the design illustrated in FIG. 1;  
FIG. 5 is a left side elevation view of the design illustrated in FIG. 1;  
FIG. 6 is a right side elevation view of the design illustrated in FIG. 1;  
FIG. 7 is a top view of the design illustrated in FIG. 1; and, FIG. 8 is a bottom view of the design illustrated in FIG. 1. The broken lines shown in FIG. 8 illustrate portions of the overhead street light that form no part of the claimed design.

**1 Claim, 8 Drawing Sheets**

- (56) **References Cited**  
U.S. PATENT DOCUMENTS  
D424,228 S \* 5/2000 Grossman ..... D26/71  
6,779,910 B1 \* 8/2004 Pelton ..... 362/364  
D545,457 S \* 6/2007 Chen ..... D26/2



(56)

**References Cited**

U.S. PATENT DOCUMENTS

D690,454 S \* 9/2013 Yu ..... D26/92  
2007/0247853 A1 \* 10/2007 Dorogi ..... 362/294  
2009/0213588 A1 \* 8/2009 Manes ..... 362/235

2009/0237930 A1 \* 9/2009 Li ..... 362/235  
2009/0237934 A1 \* 9/2009 Zeng et al. .... 362/249.03  
2009/0251898 A1 \* 10/2009 Kinnune et al. .... 362/249.02  
2010/0027269 A1 \* 2/2010 Lo et al. .... 362/294  
2011/0194281 A1 \* 8/2011 Josefowicz et al. .... 362/235

\* cited by examiner

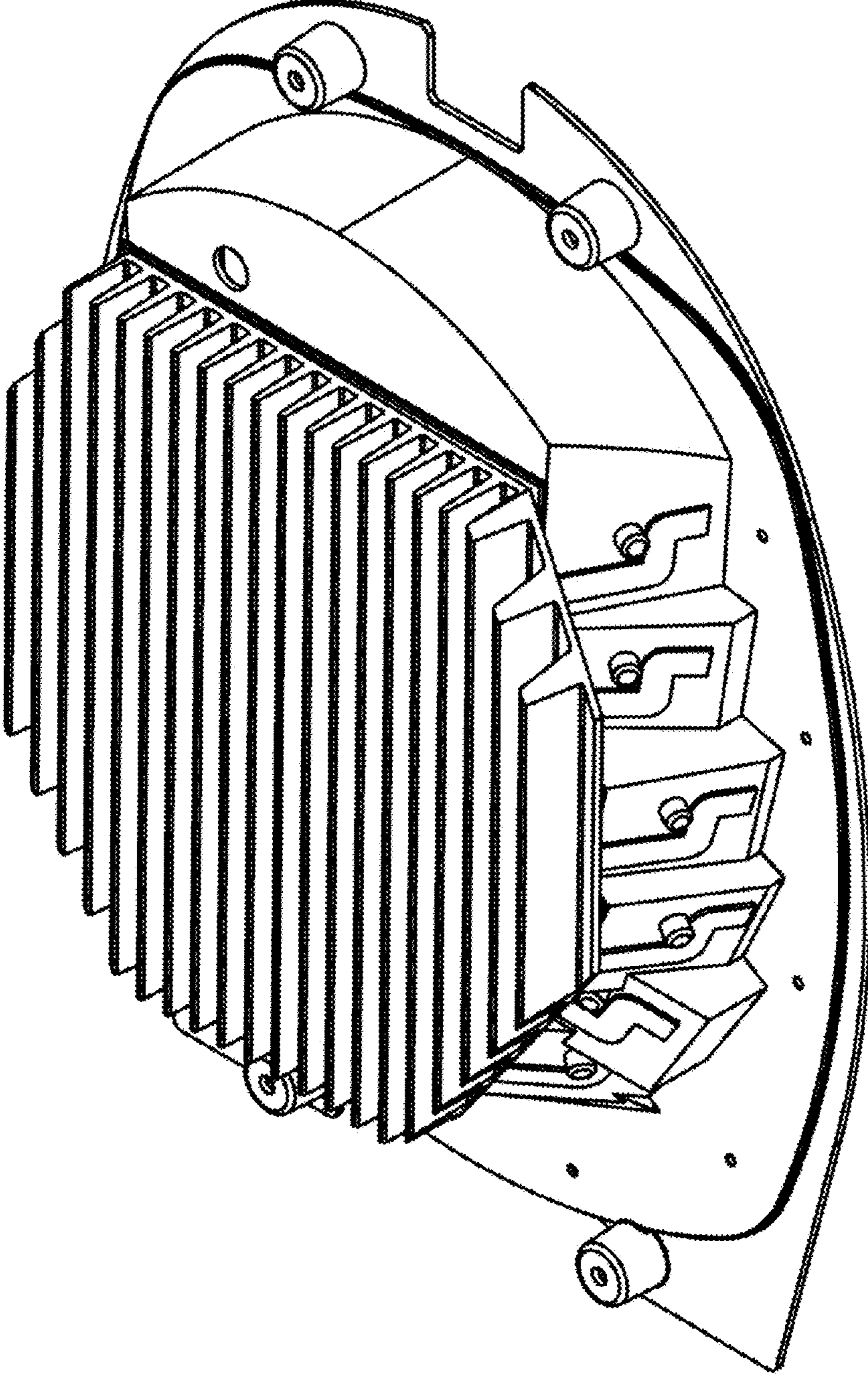


FIG. 1

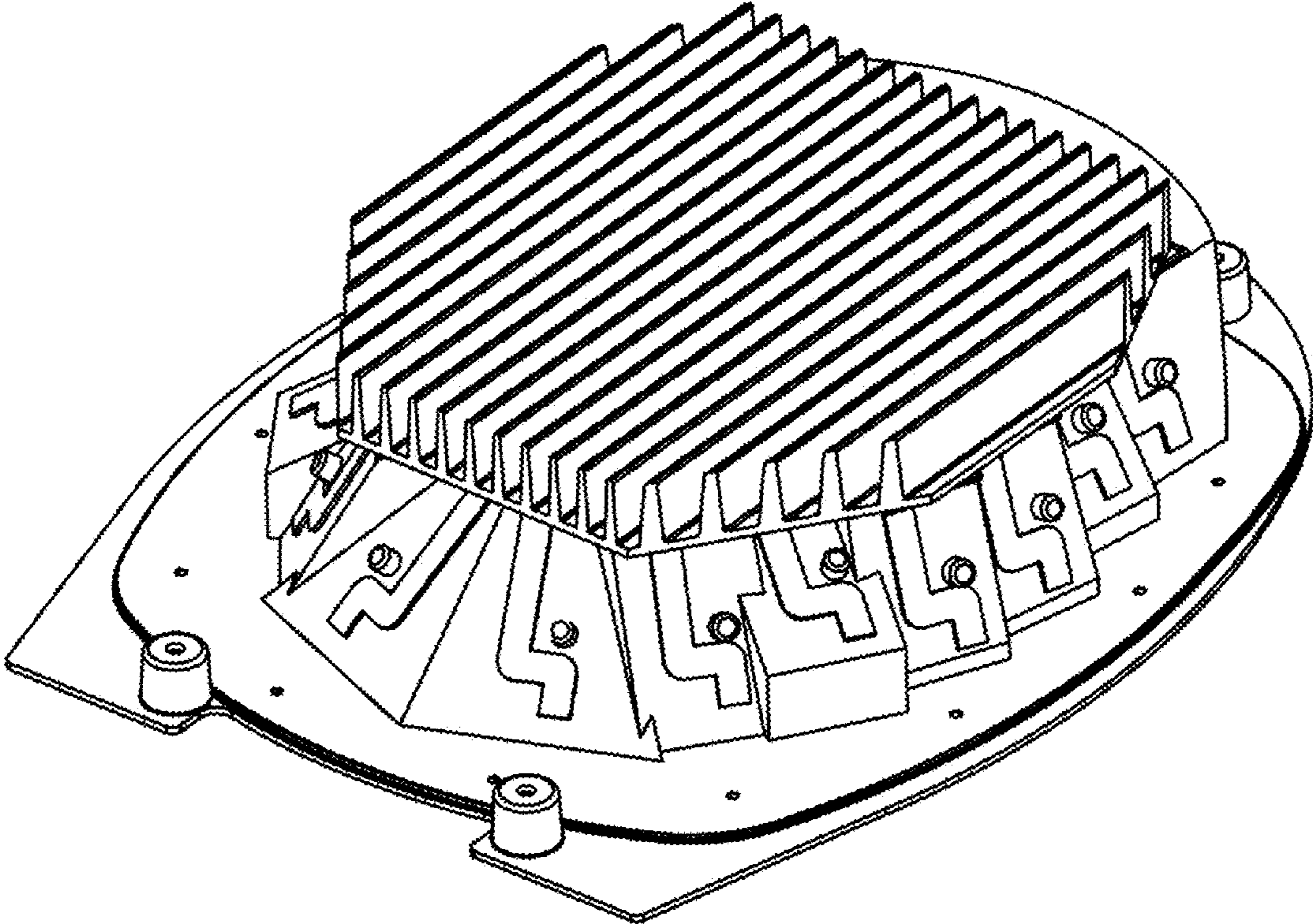


FIG. 2

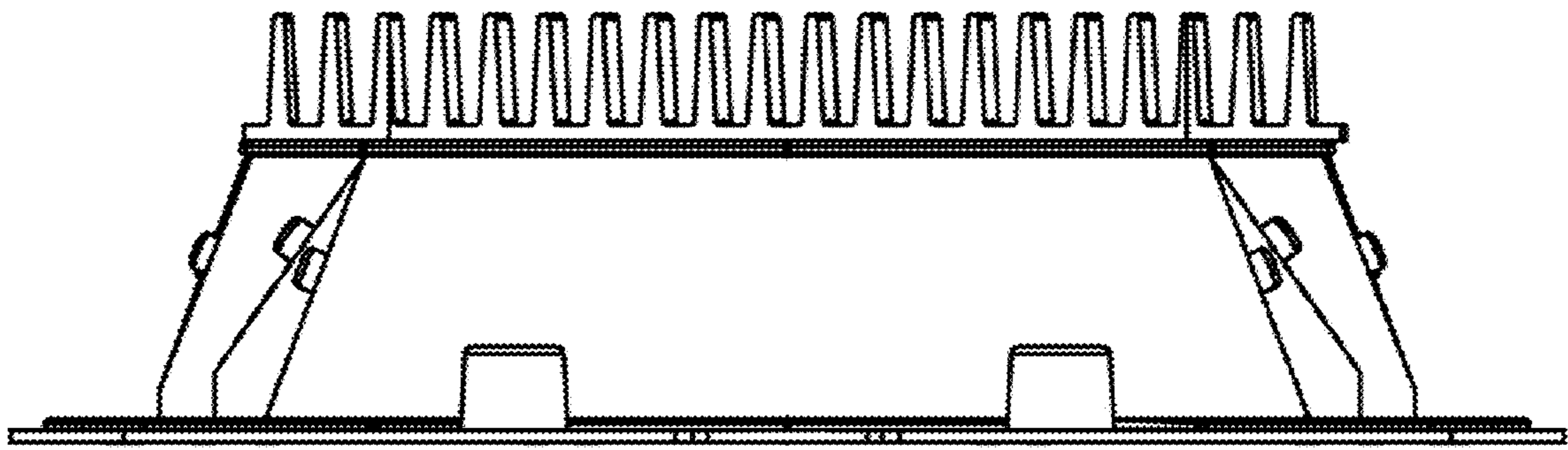


FIG. 3

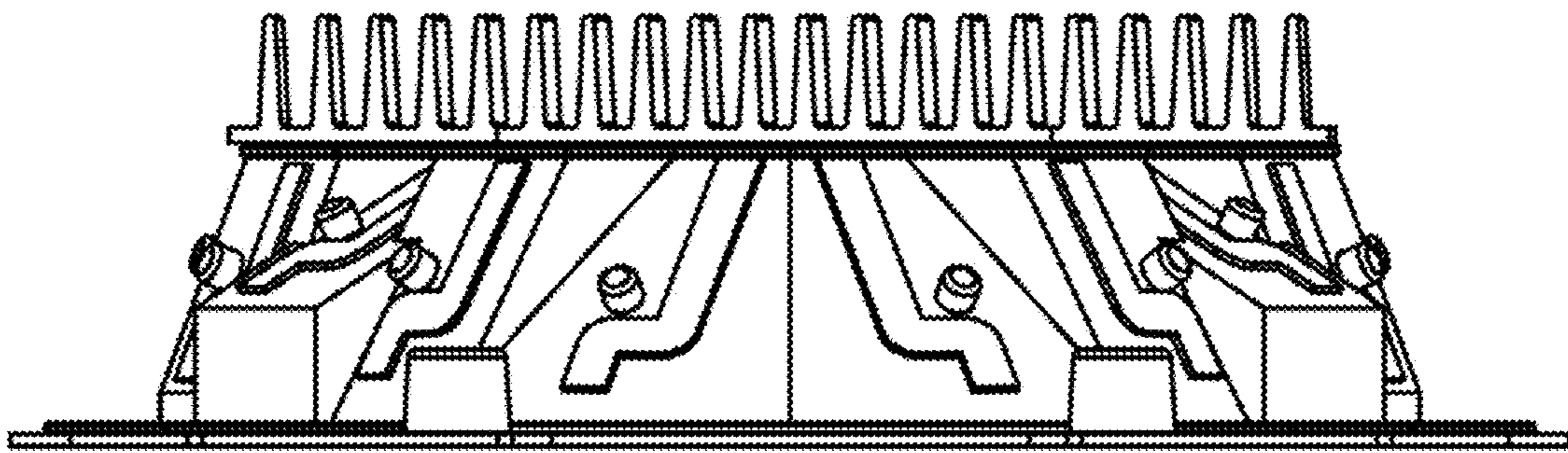


FIG. 4

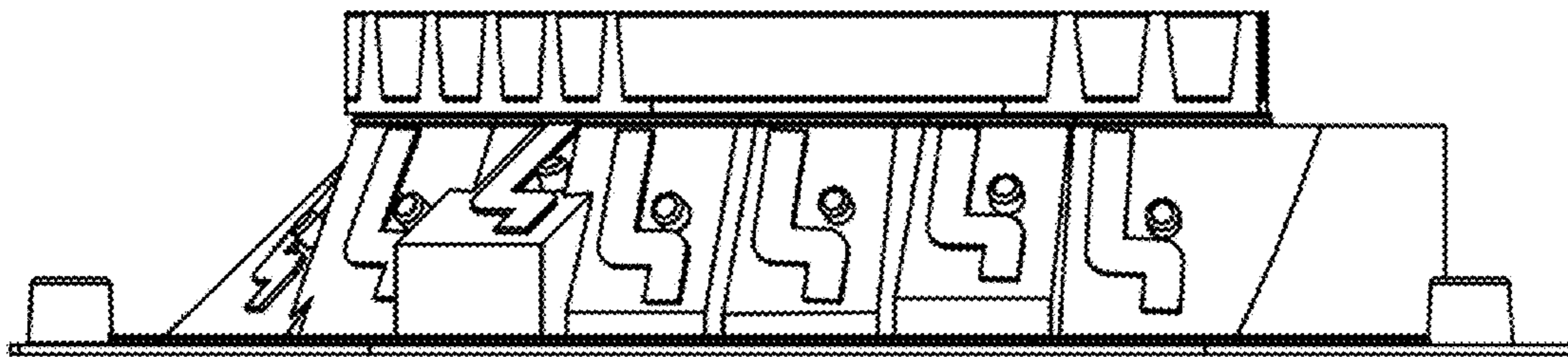


FIG. 5

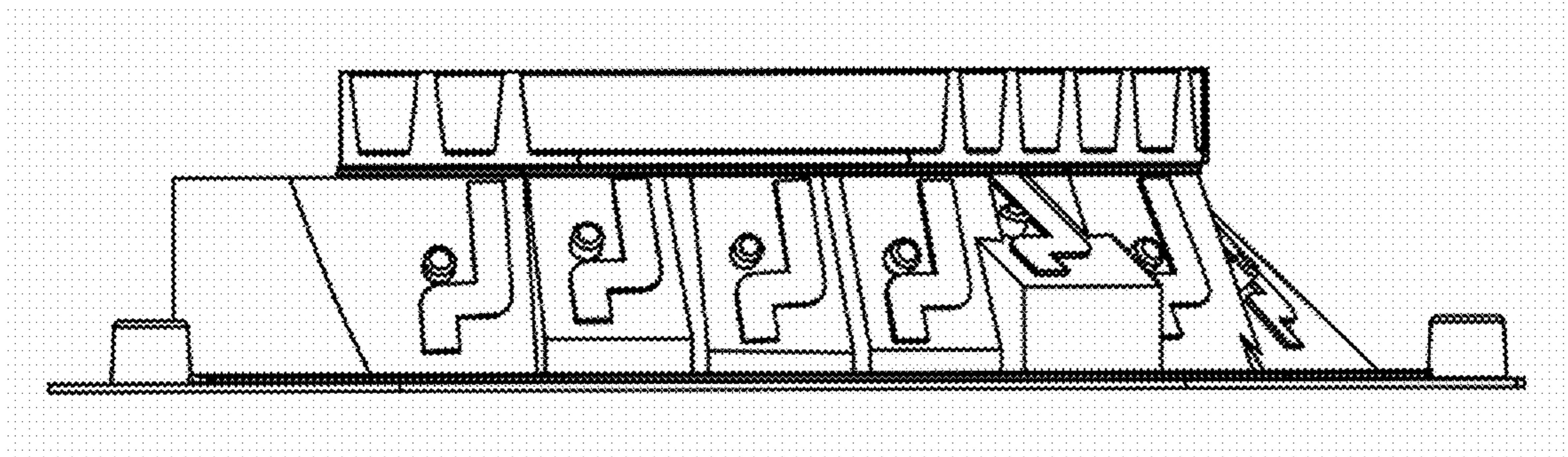


FIG. 6



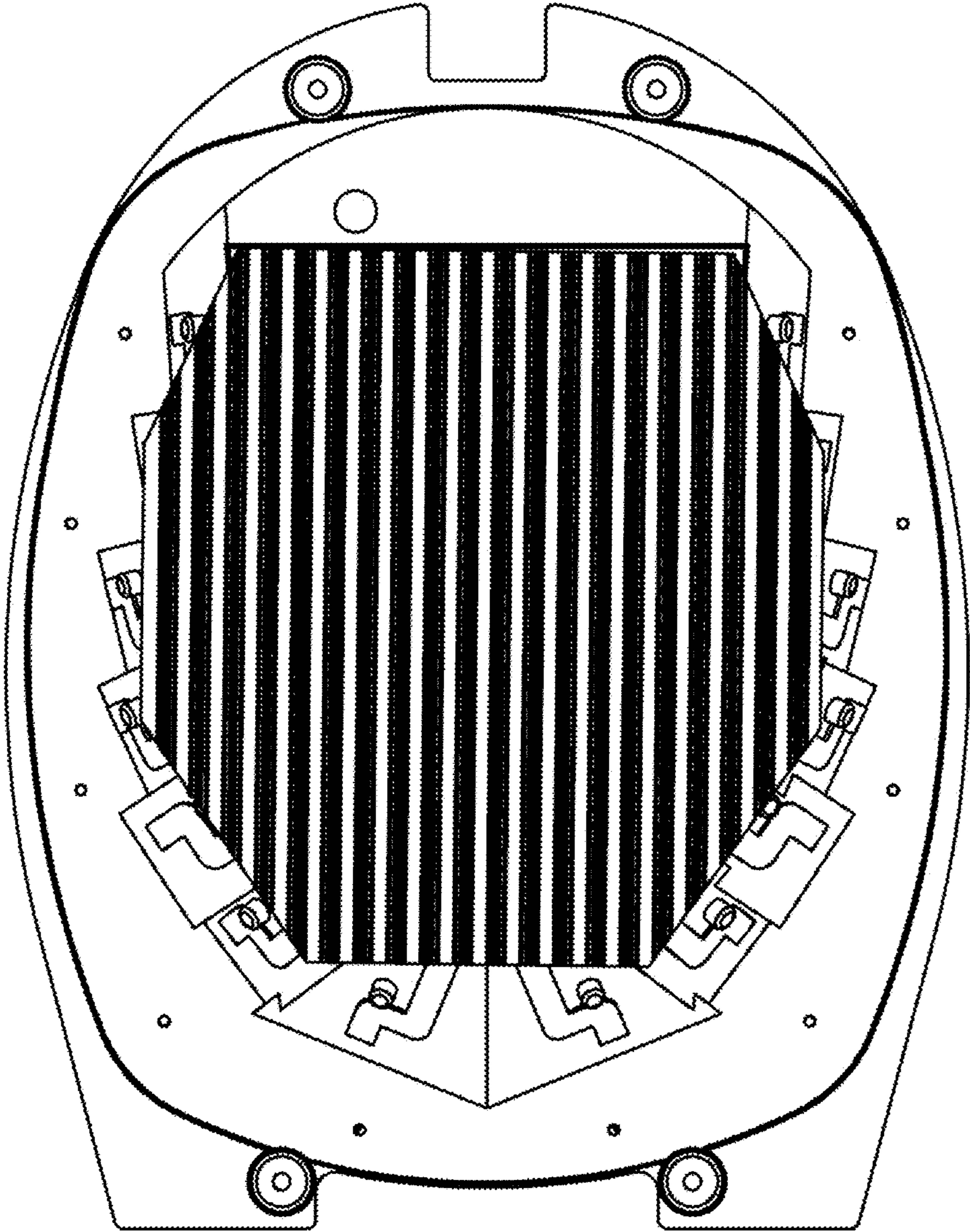


FIG. 7

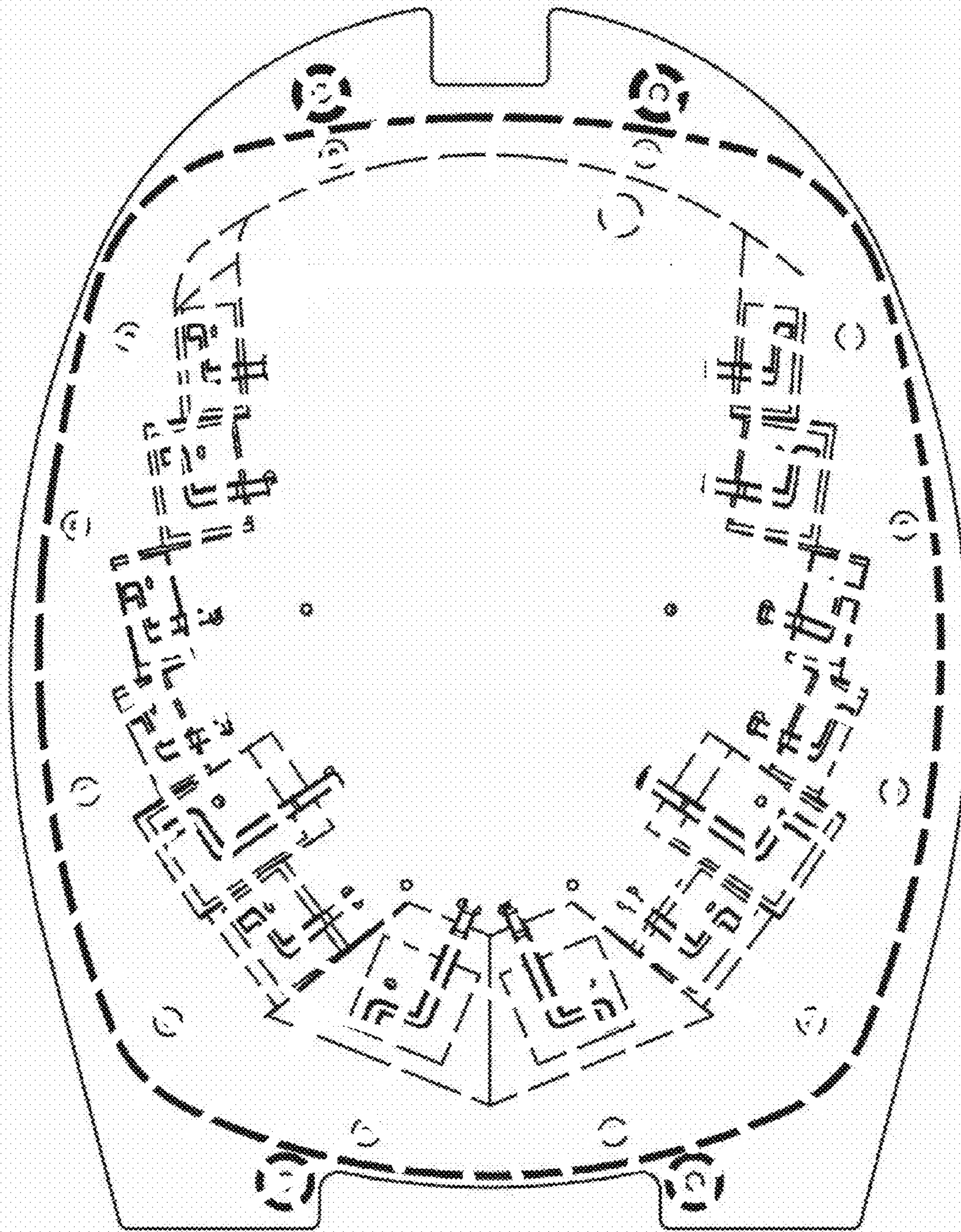


FIG. 8