



US00D713591S

(12) **United States Design Patent**  
**Blum et al.**

(10) **Patent No.:** **US D713,591 S**  
(45) **Date of Patent:** **\*\* Sep. 16, 2014**

- (54) **WALL MOUNTED LIGHTING FIXTURE**
- (71) Applicant: **ABL IP Holding, LLC**, Conyers, GA (US)
- (72) Inventors: **Darren Blum**, San Mateo, CA (US); **Michael Trung Tran**, Oakland, CA (US); **Peter Y. Y. Ngai**, Alamo, CA (US)
- (73) Assignee: **ABL IP Holding, LLC**, Conyers, GA (US)
- (\*\*) Term: **14 Years**
- (21) Appl. No.: **29/482,933**
- (22) Filed: **Feb. 24, 2014**

**Related U.S. Application Data**

- (63) Continuation-in-part of application No. 29/465,751, filed on Aug. 30, 2013.
- (51) **LOC (10) Cl.** ..... **26-03**
- (52) **U.S. Cl.**  
USPC ..... **D26/85**
- (58) **Field of Classification Search**  
CPC ..... F21S 8/04; F21V 21/02; F21V 29/02;  
F21V 17/08; F21V 17/10; F21V 17/06  
USPC ..... D26/72, 85, 87, 89, 120; 362/84, 147,  
362/350, 404-408, 432  
See application file for complete search history.

(56) **References Cited**

**U.S. PATENT DOCUMENTS**

D152,889 S *	3/1949	Kuhler	.....	D26/85
D424,232 S *	5/2000	Tihany	.....	D26/87
7,455,444 B2 *	11/2008	Chien	.....	362/643
D606,231 S *	12/2009	Sabernig	.....	D26/85
D606,701 S *	12/2009	Chandler	.....	D26/87
D608,935 S *	1/2010	Pedersen	.....	D26/85
D626,275 S *	10/2010	Sabernig	.....	D26/85

D642,319 S *	7/2011	Sprengers	.....	D26/85
D643,565 S *	8/2011	Gilad	.....	D26/87
D646,423 S *	10/2011	Chiu	.....	D26/85
D646,426 S *	10/2011	Wolk	.....	D26/85
D666,762 S *	9/2012	Gilad	.....	D26/87
D666,763 S *	9/2012	Gilad	.....	D26/87
D669,207 S *	10/2012	Chen	.....	D26/87
8,313,215 B1 *	11/2012	Wawak-Umscheid	.....	362/432
		et al.	.....	D26/87
D676,997 S *	2/2013	Tang et al.	.....	D26/87

(Continued)

**OTHER PUBLICATIONS**

Nomi—OLED sconce from Acuity Brands. Webpage from oled-info.com dated Jun. 1, 2014. Visited Jun. 2, 2014.\*

(Continued)

*Primary Examiner* — Clare E Heflin

(74) *Attorney, Agent, or Firm* — Beeson Skinner Beverly, LLP

(57) **CLAIM**

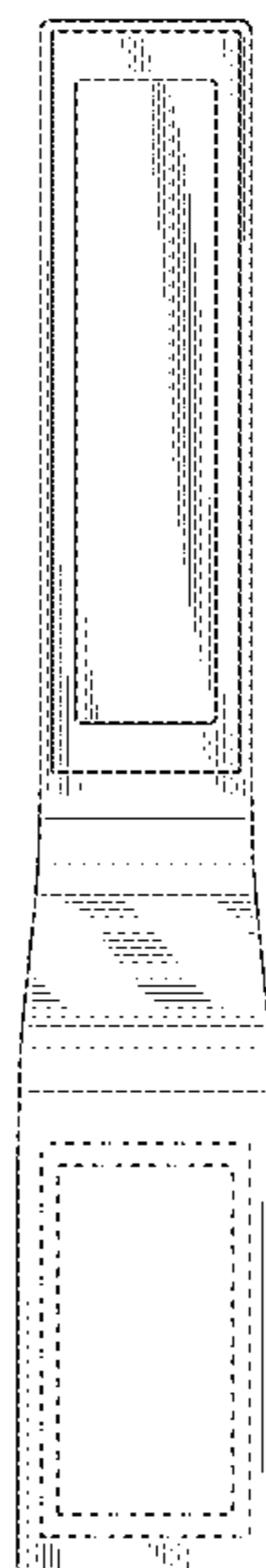
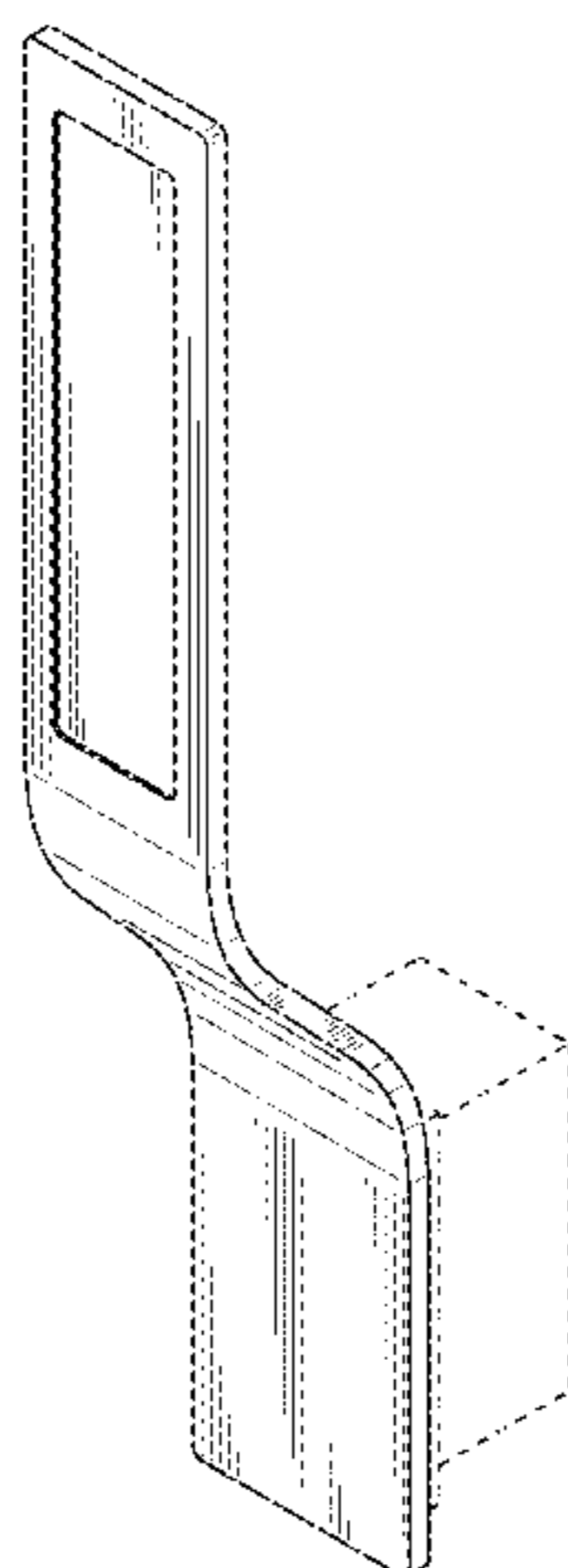
The ornamental design for a wall mounted lighting fixture, as shown and described.

**DESCRIPTION**

FIG. 1 is a top front perspective view of a wall mounted lighting fixture showing our new design; FIG. 2 is a front elevational view thereof; FIG. 3 is a right side elevational view thereof, the left side being a mirror image; FIG. 4 is a rear end elevational view thereof; FIG. 5 is a bottom plan view thereof; and, FIG. 6 is a top plan view thereof.

The broken lines shown in FIGS. 1 and 3-6 represent a junction box mounted in a wall to which the claimed wall mounted lighting fixture is attached. The junction box forms no part of the claimed design.

**1 Claim, 3 Drawing Sheets**



(56)

**References Cited**

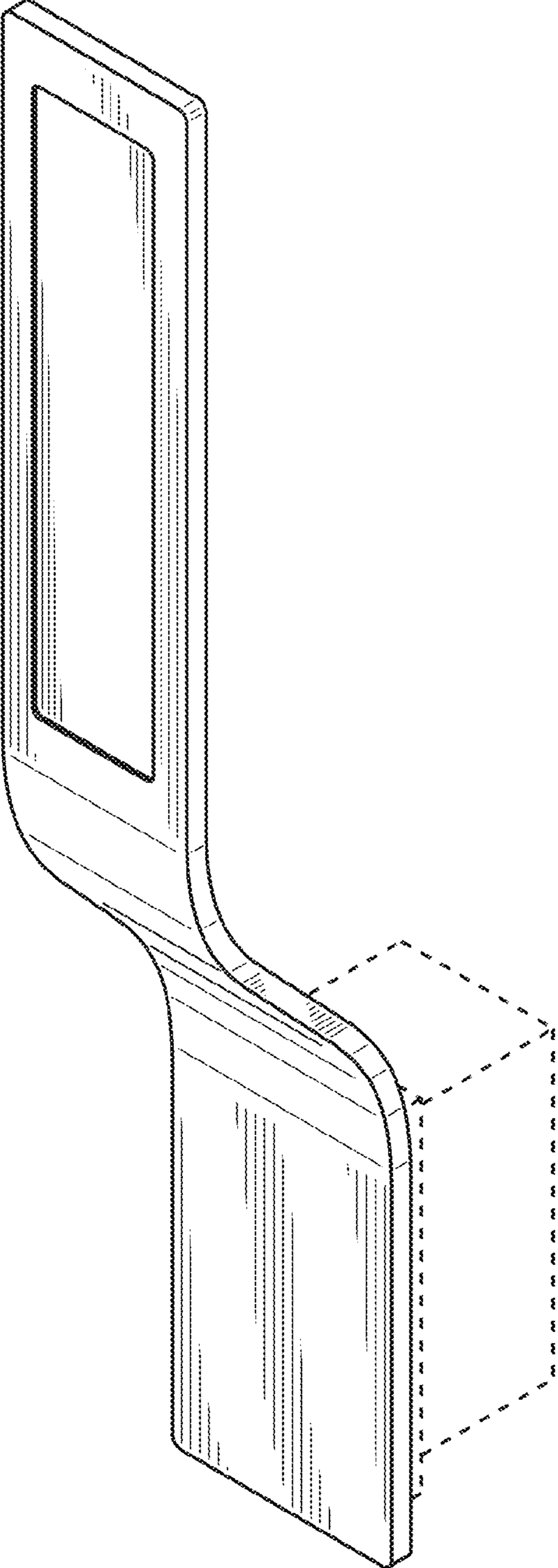
U.S. PATENT DOCUMENTS

8,430,530 B2 \* 4/2013 Aurongzeb et al. .... 362/84  
D685,945 S \* 7/2013 Lindsley et al. .... D26/85  
D697,248 S \* 1/2014 Martin ..... D26/85  
D703,864 S \* 4/2014 Blum et al. .... D26/87

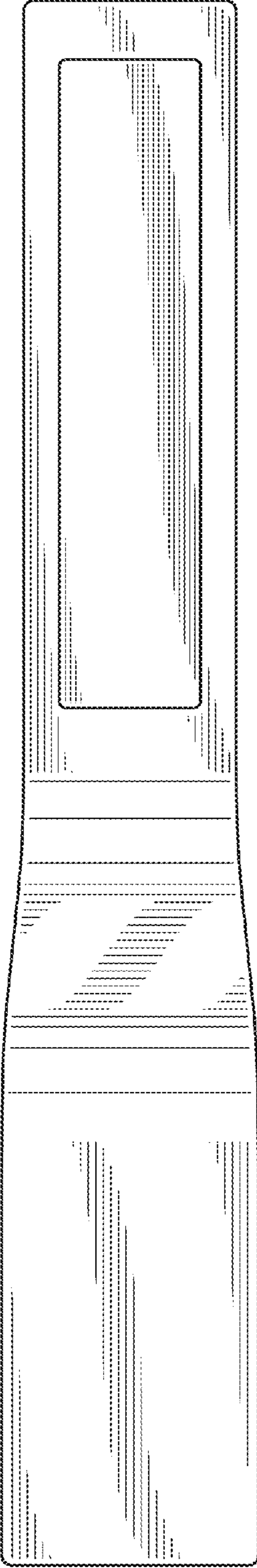
OTHER PUBLICATIONS

Vela—OLED Wall Light from [ylighting.com](http://ylighting.com), visited Jun. 2, 2014.\*  
Blade—11 inch Wall Light from [ylighting.com](http://ylighting.com), visited Jun. 2, 2014.\*  
Glacier—21 inch wall light from [ylighting.com](http://ylighting.com), visited Jun. 2, 2014.\*

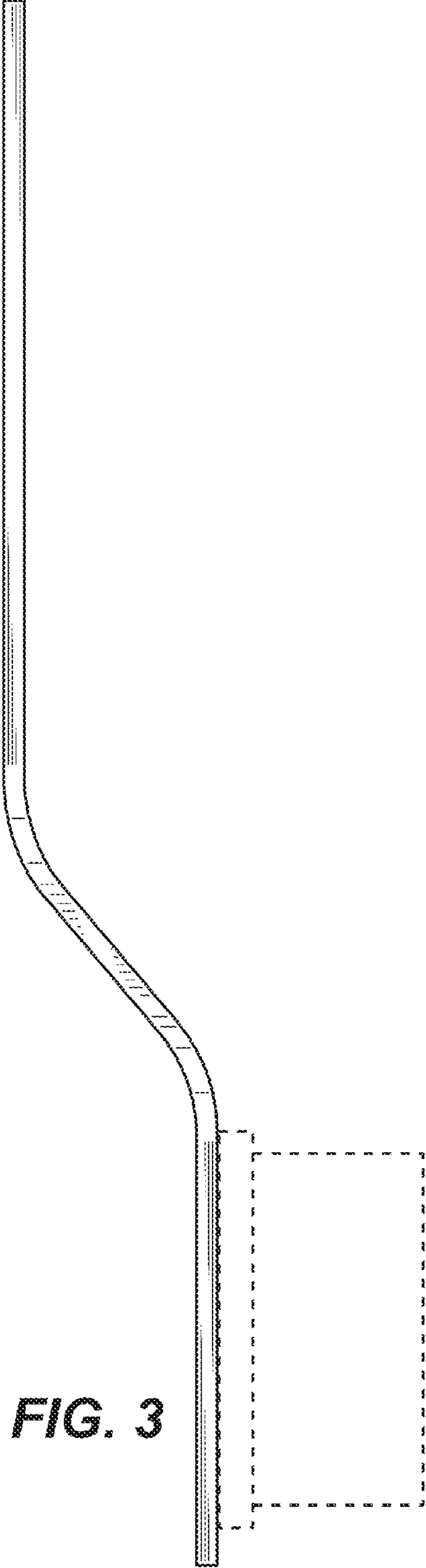
\* cited by examiner



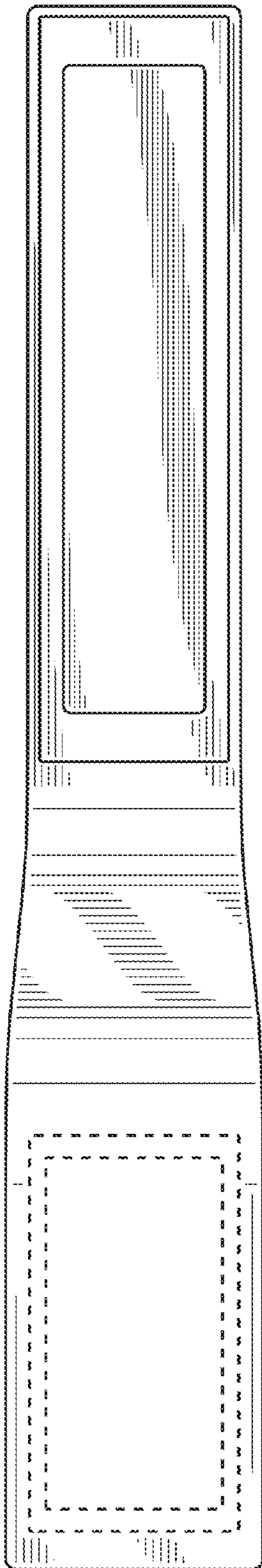
**FIG. 1**



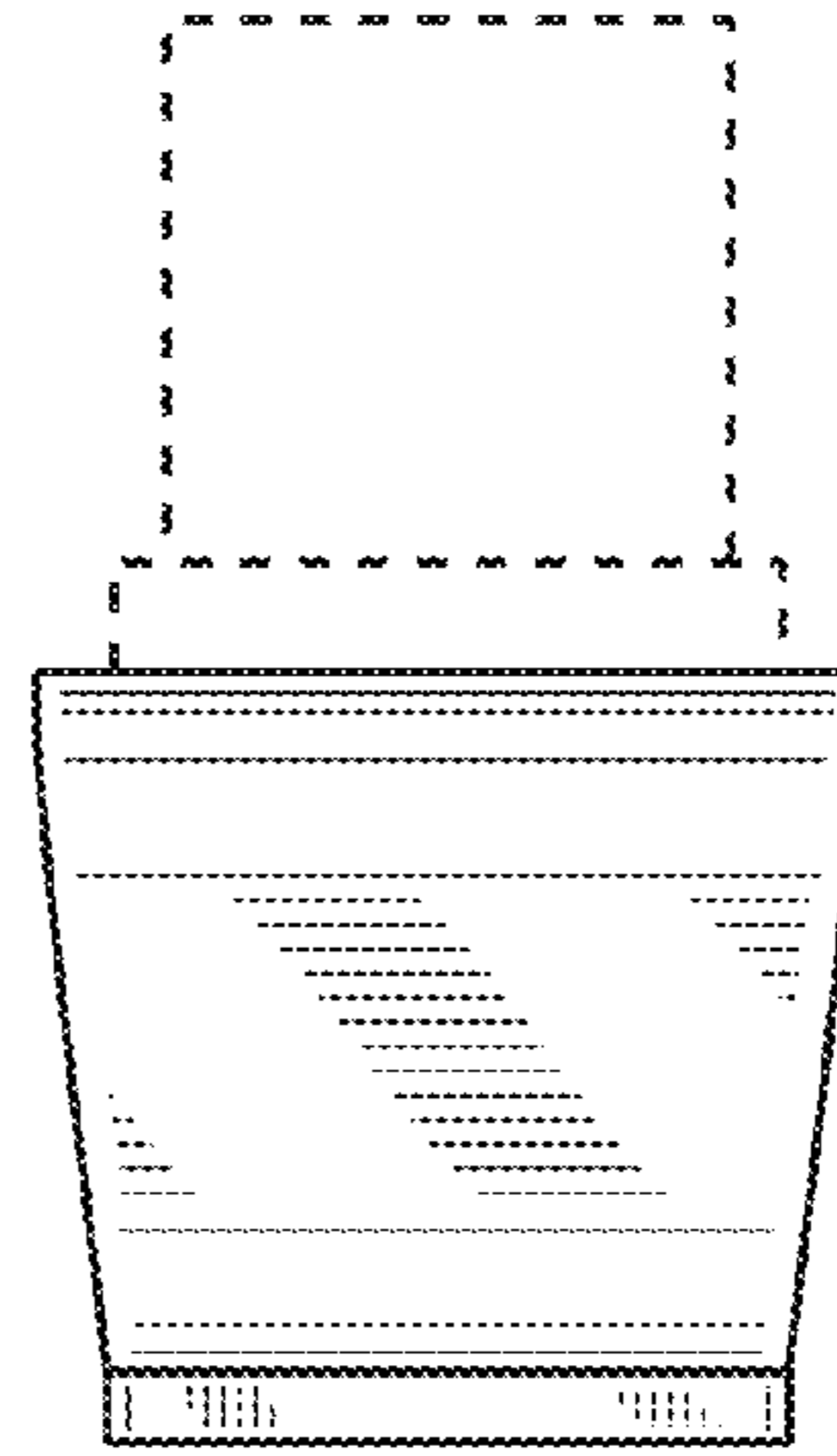
**FIG. 2**



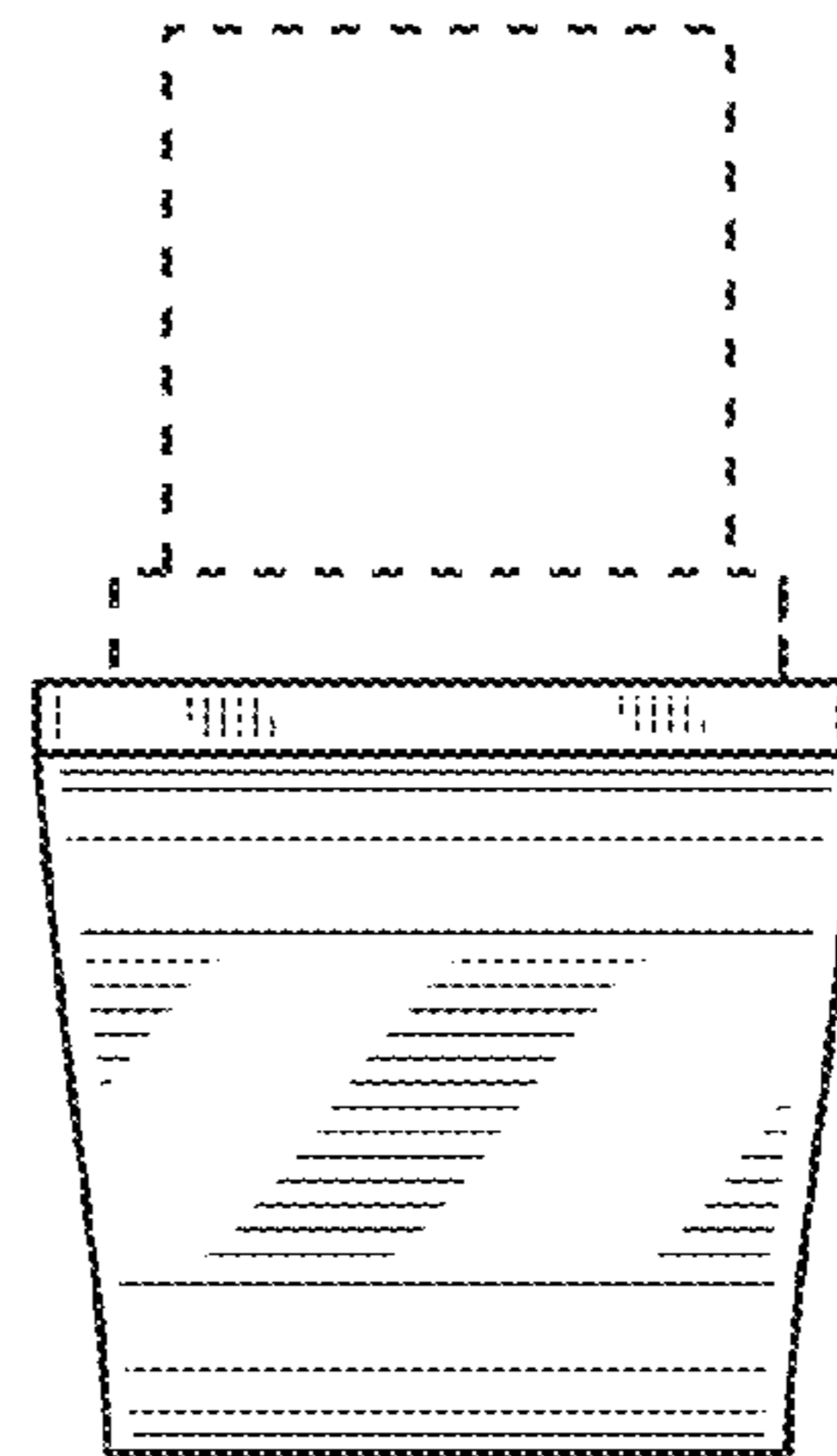
**FIG. 3**



**FIG. 4**



**FIG. 5**



**FIG. 6**