



US00D713590S

(12) **United States Design Patent**
Orozco

(10) **Patent No.:** **US D713,590 S**
(45) **Date of Patent:** **** Sep. 16, 2014**

(54) **LIGHT FIXTURE**

(71) Applicant: **Quoizel, Inc.**, Goose Creek, SC (US)

(72) Inventor: **Sergio J. Orozco**, West New York, NJ (US)

(73) Assignee: **Quoizel, Inc.**, Goose Creek, SC (US)

(**) Term: **14 Years**

(21) Appl. No.: **29/473,839**

(22) Filed: **Nov. 26, 2013**

(51) **LOC (10) Cl.** **26-03**

(52) **U.S. Cl.**
USPC **D26/85; D26/87**

(58) **Field of Classification Search**
USPC D26/67, 68, 72, 85, 87, 92, 118;
362/147, 350, 356, 363, 432
See application file for complete search history.

(56) **References Cited**

U.S. PATENT DOCUMENTS

D67,175 S *	4/1925	Wolter	D26/87
D73,386 S *	8/1927	Lipschultz	D26/87
D166,966 S *	6/1952	Huegel	D26/87
D457,978 S *	5/2002	Cheong	D26/67
D458,704 S	6/2002	Orozco		
D461,580 S *	8/2002	Hsu	D26/85
D464,163 S	10/2002	Orozco		
D473,674 S	4/2003	Orozco		
D481,819 S *	11/2003	Cheong et al.	D26/72
D483,143 S	12/2003	Orozco		
D483,515 S	12/2003	Radulescu		
D500,382 S	12/2004	Phillips		

D510,153 S	9/2005	Phillips		
D574,534 S	8/2008	Lastimosa		
D653,379 S *	1/2012	Chen	D26/87
D653,380 S *	1/2012	Chen	D26/87
D667,161 S *	9/2012	Chen	D26/87
D669,622 S	10/2012	Orozco		
D684,293 S	6/2013	Lastimosa		

* cited by examiner

Primary Examiner — Clare E Heflin

(74) *Attorney, Agent, or Firm* — Nelson Mullins Riley & Scarborough, LLP

(57) **CLAIM**

The ornamental design for a light fixture, substantially as shown and described.

DESCRIPTION

FIG. 1 is a perspective view of a light fixture embodying the design of the present invention.

FIG. 2 is a left side elevational view of the light fixture illustrated in FIG. 1.

FIG. 3 is a right side elevational view of the light fixture illustrated in FIG. 1.

FIG. 4 is a front side elevational view of the light fixture illustrated in FIG. 1.

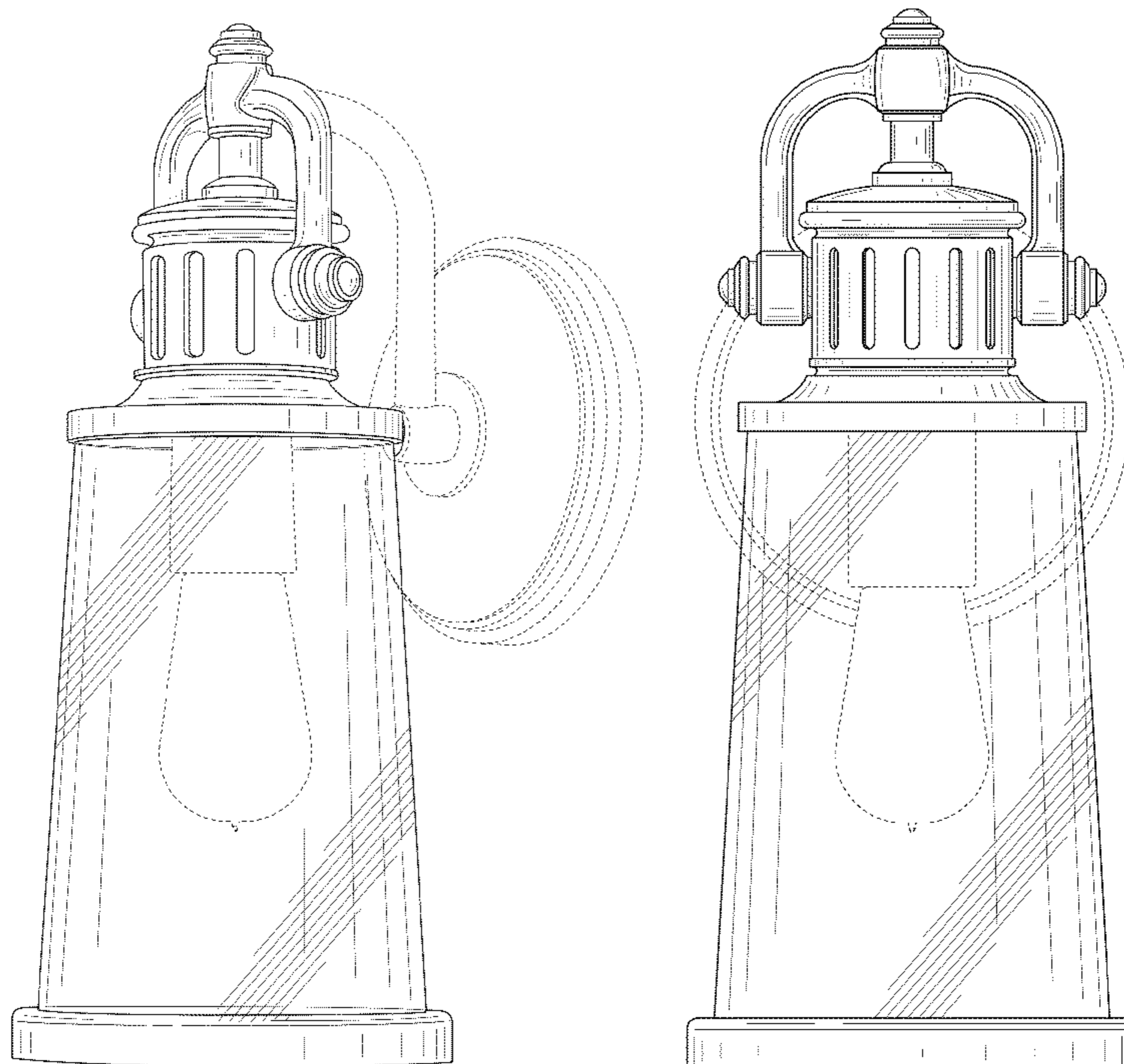
FIG. 5 is a back side elevational view of the light fixture illustrated in FIG. 1.

FIG. 6 is a top view of the light fixture illustrated in FIG. 1; and,

FIG. 7 is a bottom view of the light fixture illustrated in FIG. 1.

The portions shown in broken lines form no part of the claimed design.

1 Claim, 6 Drawing Sheets



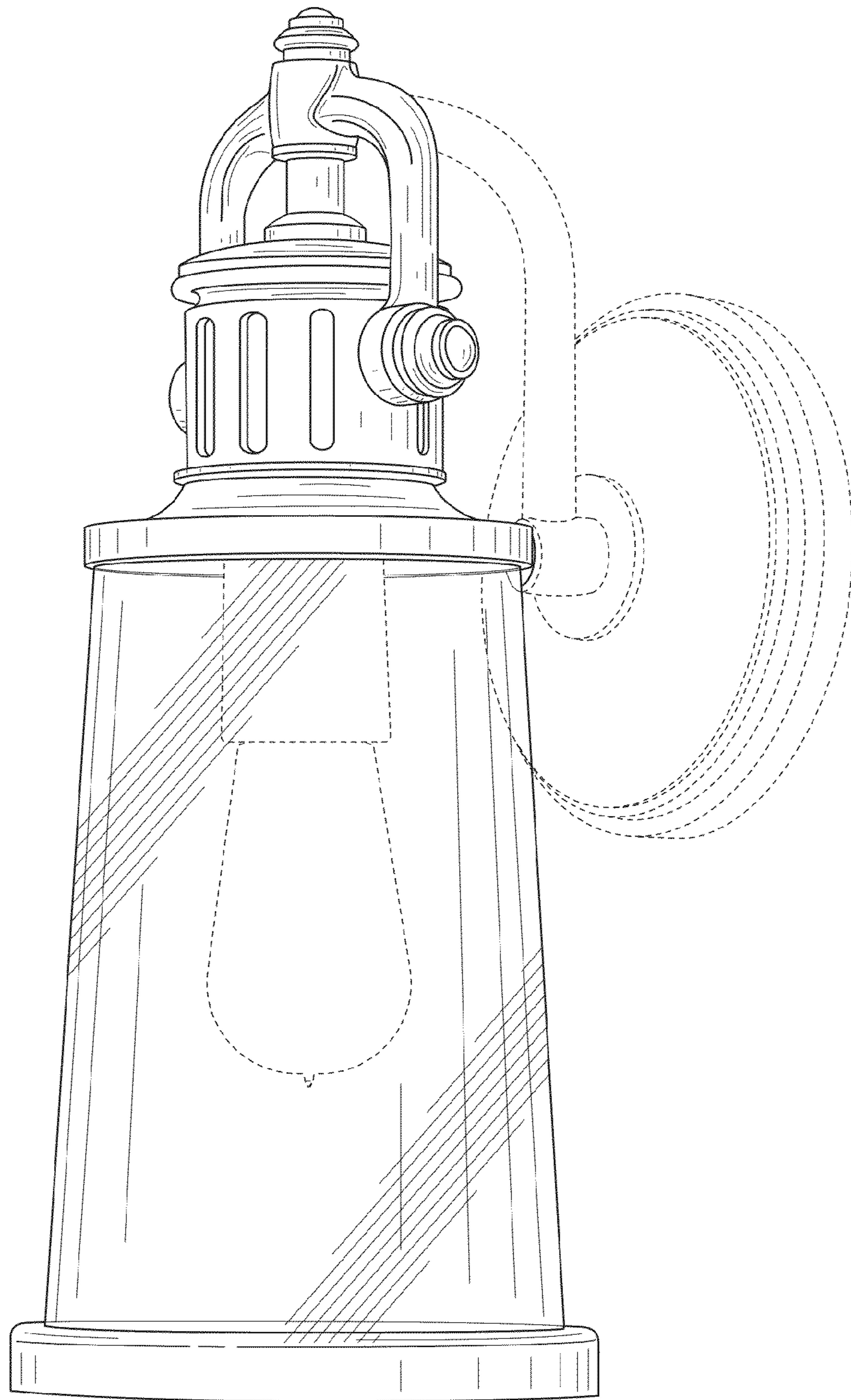


FIG. 1

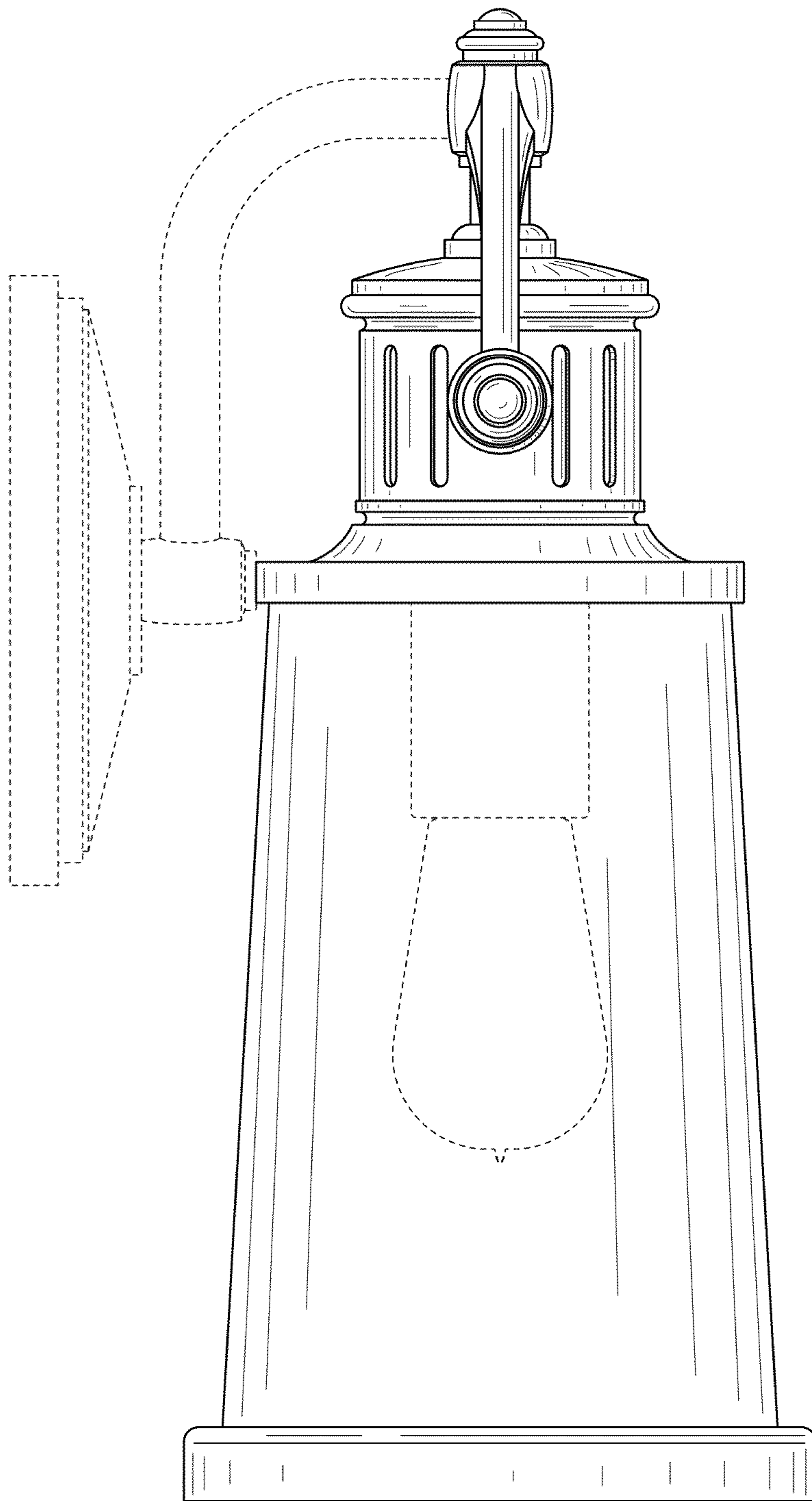


FIG. 2

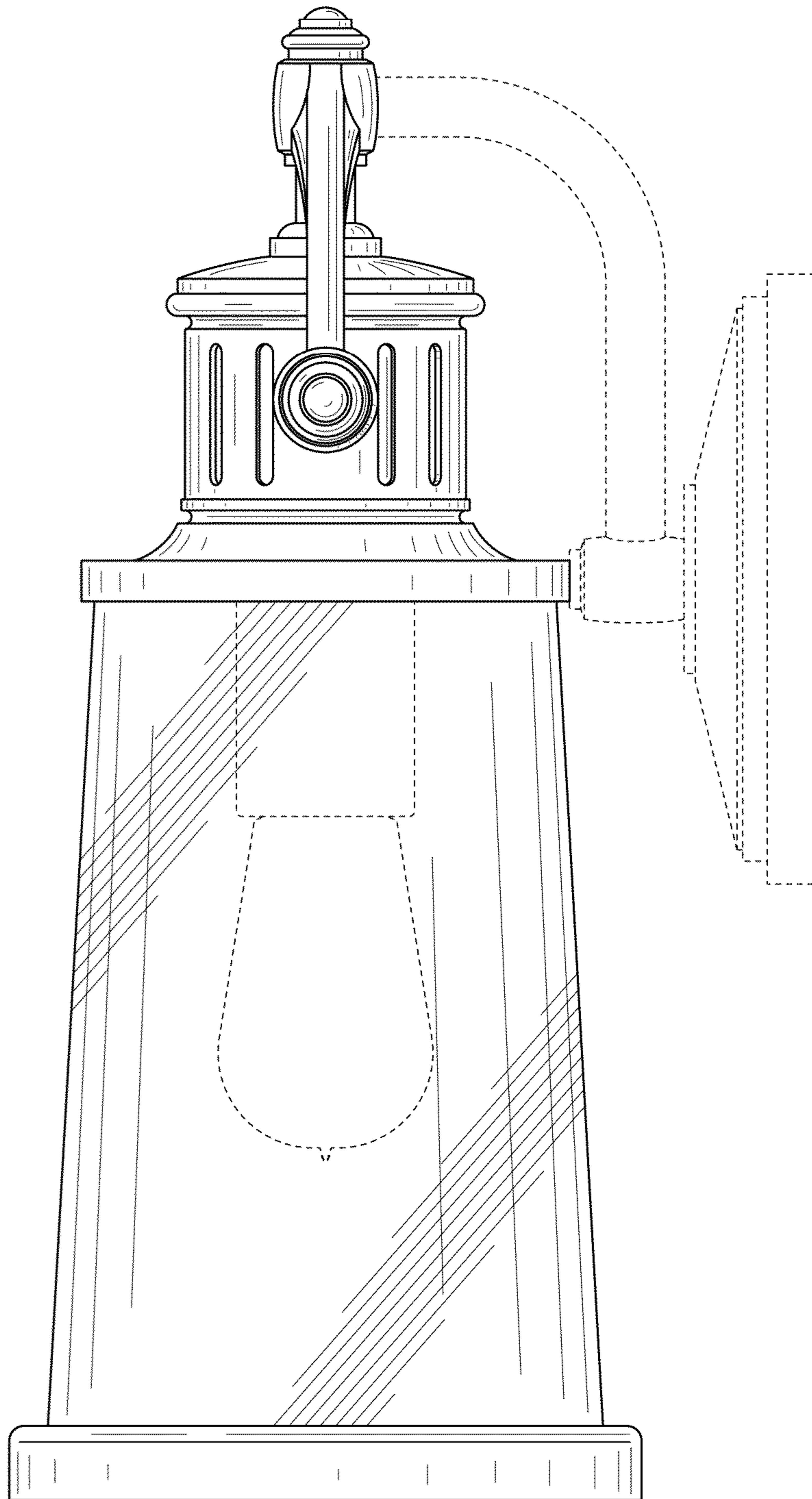


FIG. 3

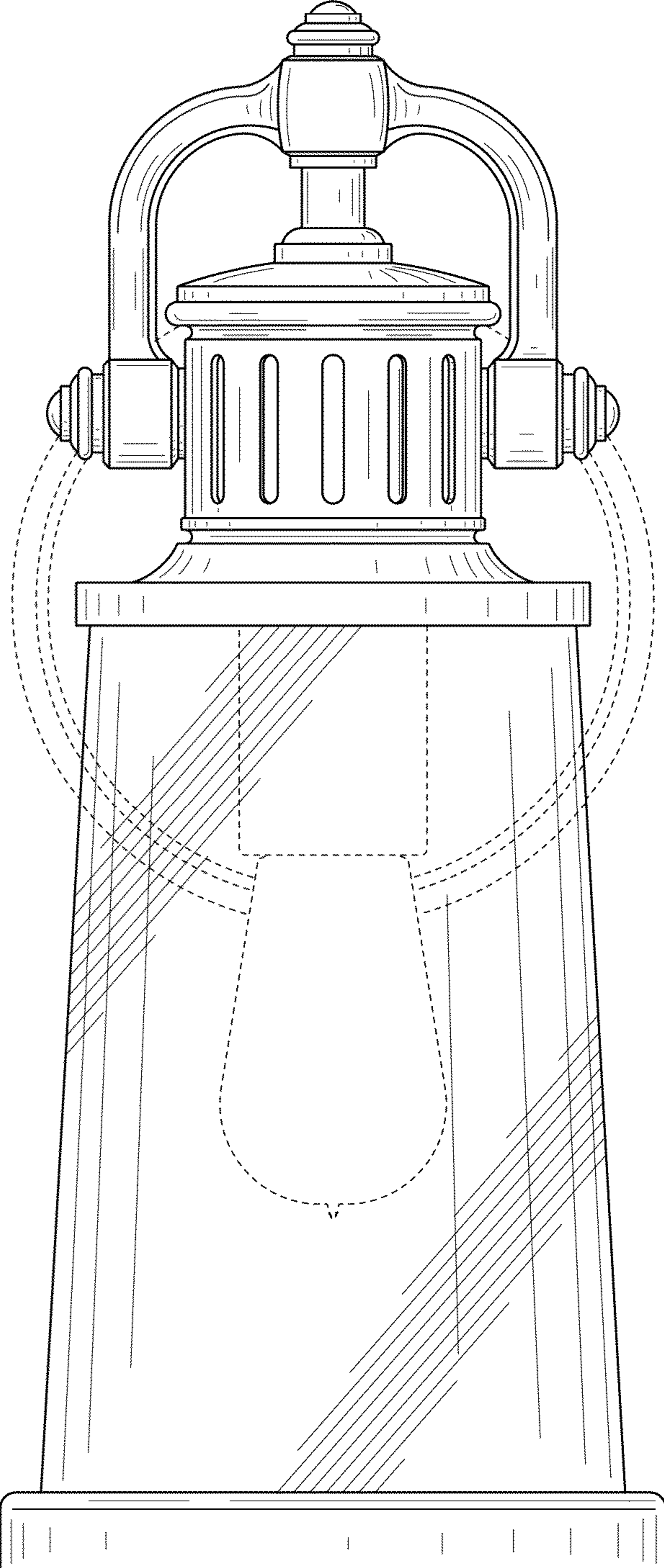


FIG. 4

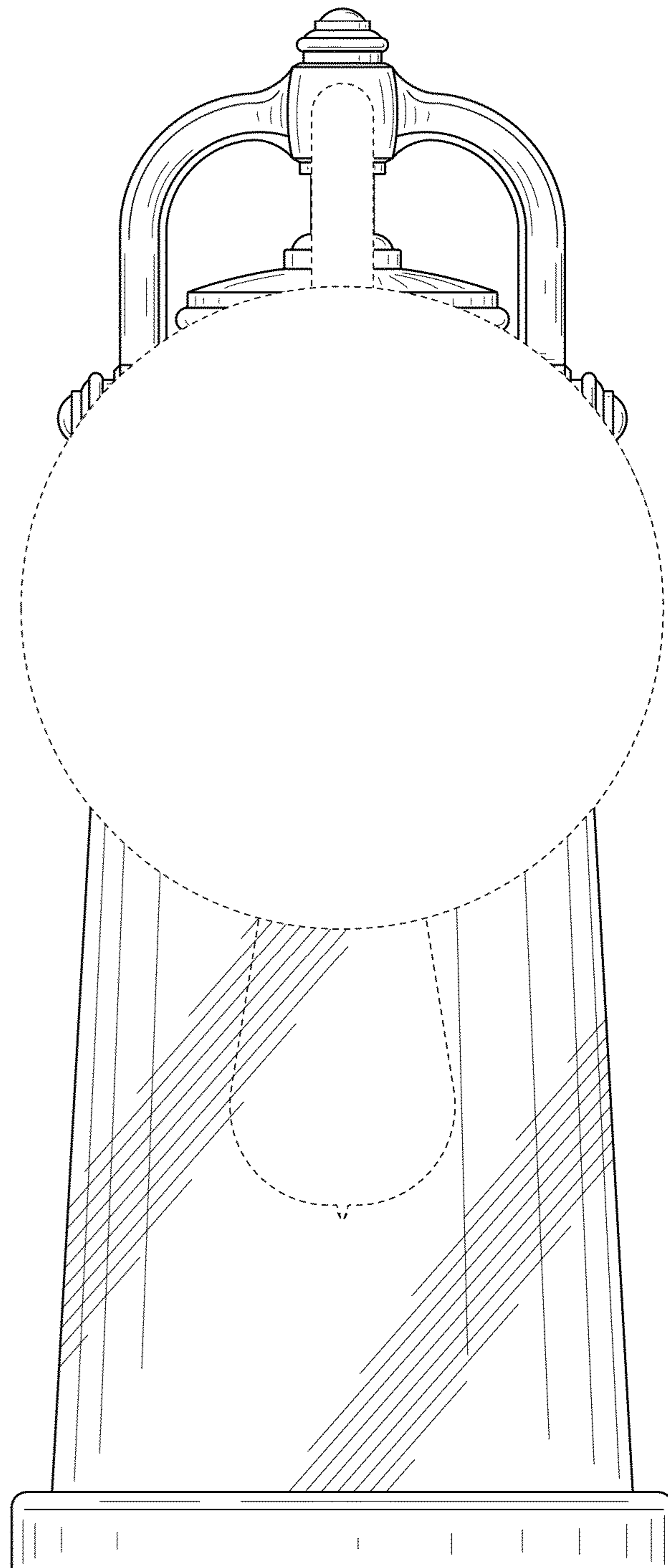


FIG. 5

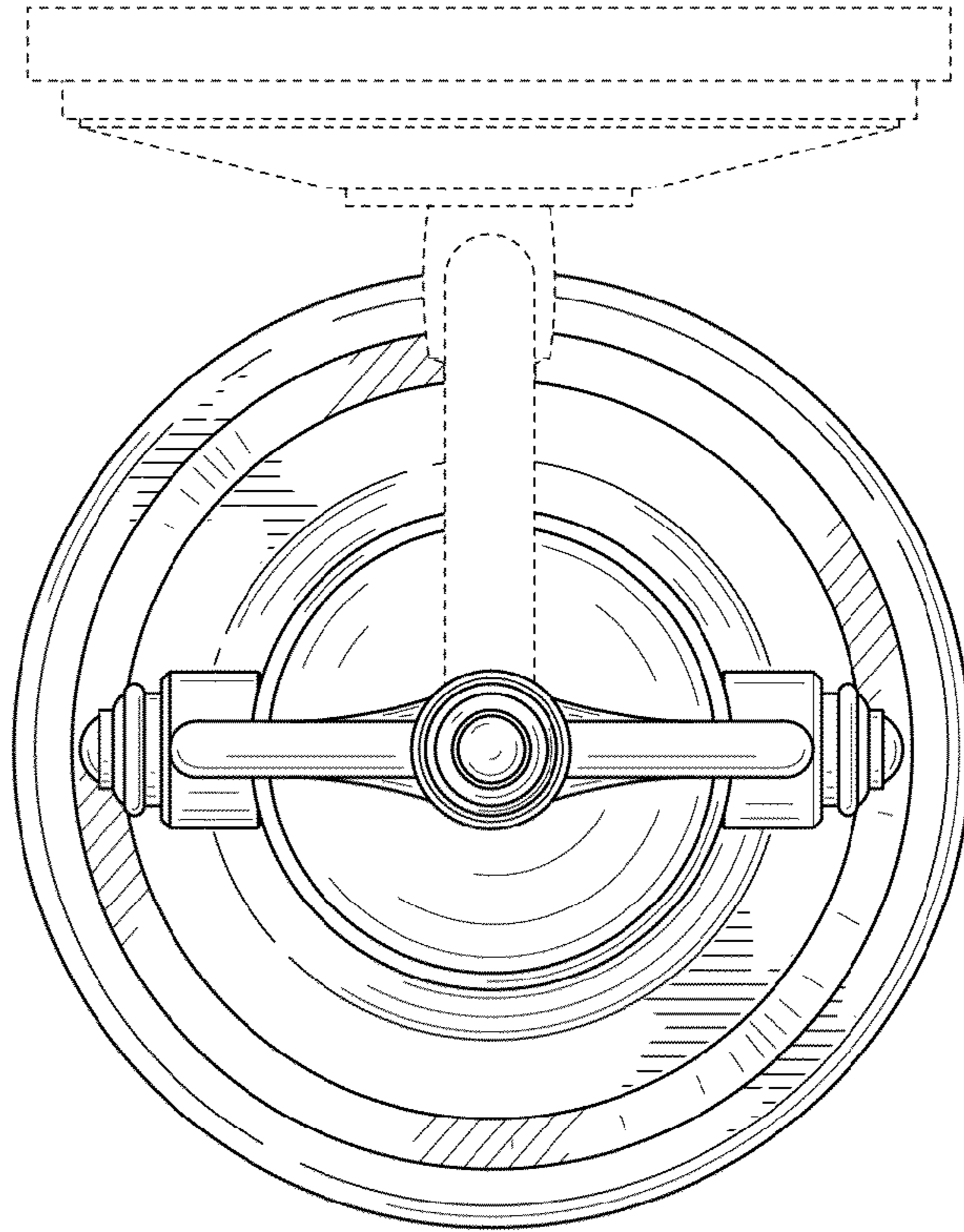


FIG. 6

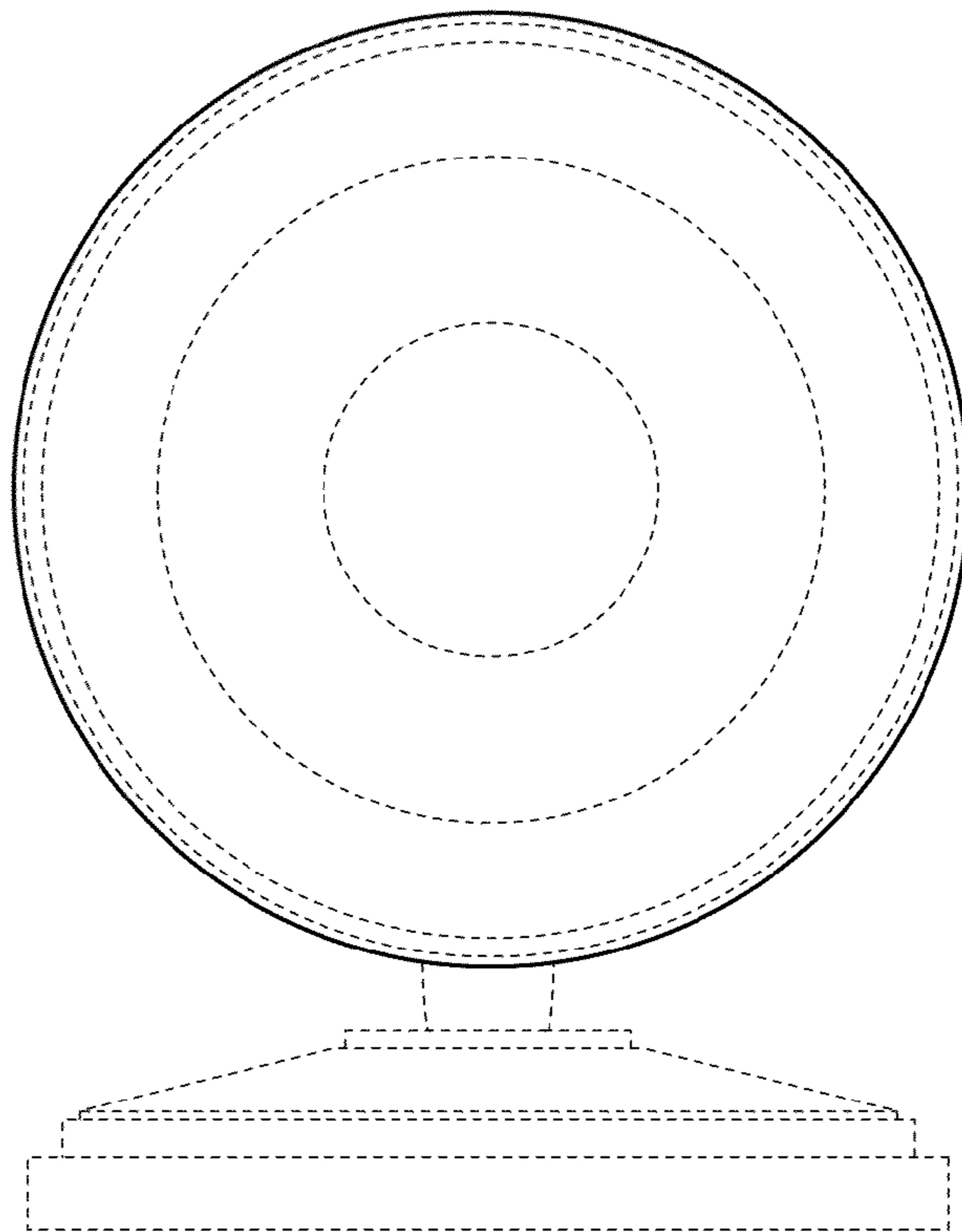


FIG. 7