

US00D713589S

(12) **United States Design Patent**
Blum et al.

(10) **Patent No.:** **US D713,589 S**
(45) **Date of Patent:** **** Sep. 16, 2014**

- (54) **WALL MOUNTED LIGHTING FIXTURE**
- (71) Applicant: **ABL IP Holding, LLC**, Conyers, GA (US)
- (72) Inventors: **Darren Blum**, San Mateo, CA (US); **Michael Trung Tran**, Oakland, CA (US); **Peter Y. Y. Ngai**, Alamo, CA (US)
- (73) Assignee: **ABL IP Holding, LLC**, Conyers, GA (US)
- (**) Term: **14 Years**
- (21) Appl. No.: **29/465,751**
- (22) Filed: **Aug. 30, 2013**
- (51) **LOC (10) Cl.** **26-03**
- (52) **U.S. Cl.**
USPC **D26/85**
- (58) **Field of Classification Search**
USPC D26/72, 85, 87, 89, 120; 362/84, 147, 362/350, 404-408, 432
See application file for complete search history.

- 8,313,215 B1 * 11/2012 Wawak-Umscheid et al. 362/432
- D676,997 S * 2/2013 Tang et al. D26/87
- 8,430,530 B2 * 4/2013 Aurongzeb et al. 362/84
- D685,945 S * 7/2013 Lindsley et al. D26/85
- D697,248 S * 1/2014 Martin D26/85
- D703,864 S * 4/2014 Blum et al. D26/87

OTHER PUBLICATIONS

Nomi—OLED sconce from Acuity Brands. Webpage from oled-info.com dated Jun. 1, 2014. Visited Jun. 2, 2014.*
 Vela—OLED Wall Light from ylighting.com, visited Jun. 2, 2014.*
 Blade—11 inch Wall Light from ylighting.com, visited Jun. 2, 2014.*
 Glacier—21 inch wall light from ylighting.com, visited Jun. 2, 2014.*

* cited by examiner

Primary Examiner — Clare E Heflin

(74) *Attorney, Agent, or Firm* — Beeson Skinner Beverly, LLP

(57) **CLAIM**

The ornamental design for a wall mounted lighting fixture, as shown and described.

DESCRIPTION

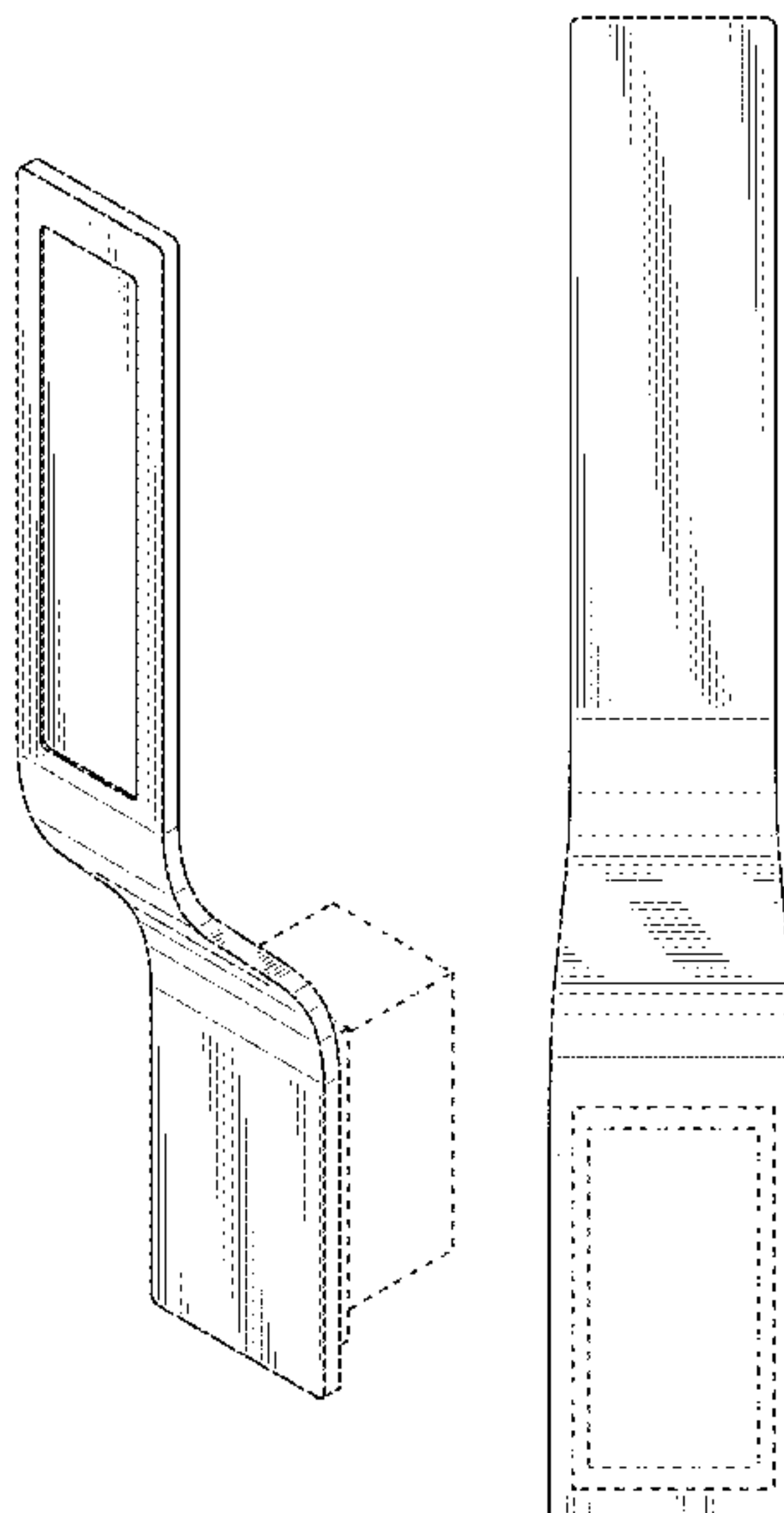
FIG. 1 is a top front perspective view of a wall mounted lighting fixture showing our new design;
 FIG. 2 is a front elevational view thereof;
 FIG. 3 is a right side elevational view thereof, the left side being a mirror image;
 FIG. 4 is a rear end elevational view thereof;
 FIG. 5 is a bottom plan view thereof; and,
 FIG. 6 is a top plan view thereof.
 The broken lines shown in FIGS. 1 and 3-6 represent a junction box mounted in a wall to which the claimed wall mounted lighting fixture is attached. The junction box forms no part of the claimed design.

1 Claim, 3 Drawing Sheets

(56) **References Cited**

U.S. PATENT DOCUMENTS

- D152,889 S * 3/1949 Kuhler D26/85
- D424,232 S * 5/2000 Tihany D26/87
- 7,455,444 B2 * 11/2008 Chien 362/643
- D606,231 S * 12/2009 Sabernig D26/85
- D606,701 S * 12/2009 Chandler D26/87
- D608,935 S * 1/2010 Pedersen D26/85
- D626,275 S * 10/2010 Sabernig D26/85
- D642,319 S * 7/2011 Sprengers D26/85
- D643,565 S * 8/2011 Gilad D26/87
- D646,423 S * 10/2011 Chiu D26/85
- D646,426 S * 10/2011 Wolk D26/85
- D666,762 S * 9/2012 Gilad D26/87
- D666,763 S * 9/2012 Gilad D26/87
- D669,207 S * 10/2012 Chen D26/87



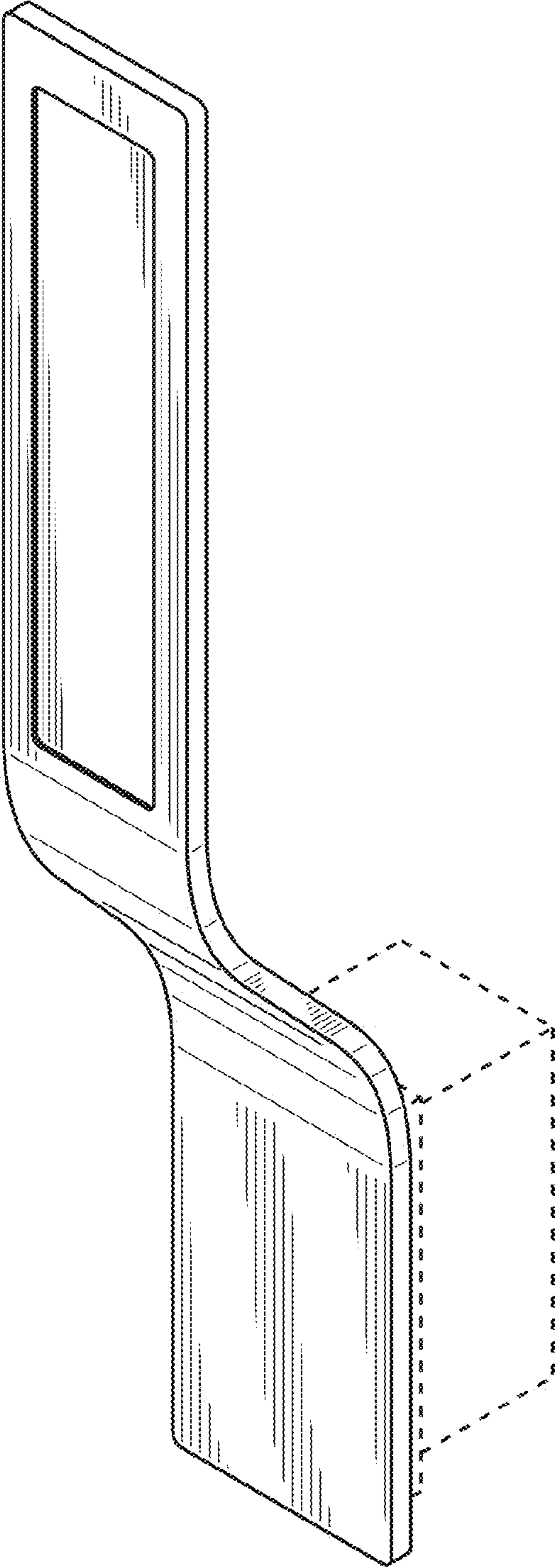


FIG. 1

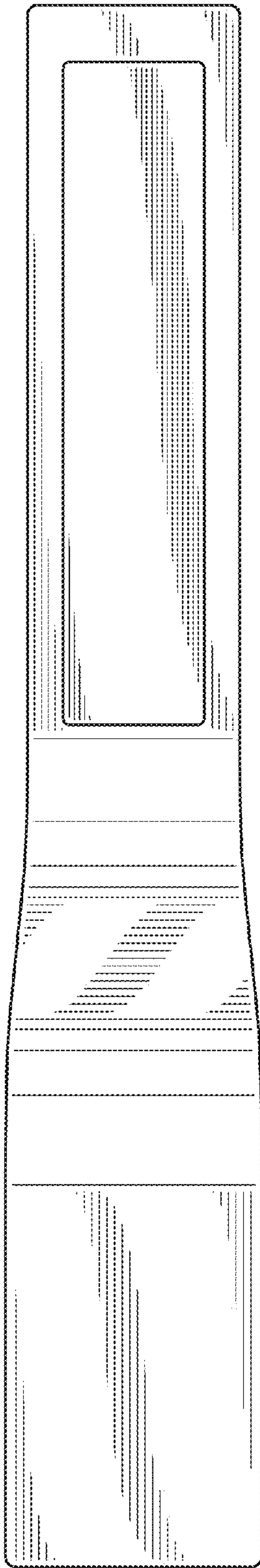


FIG. 2

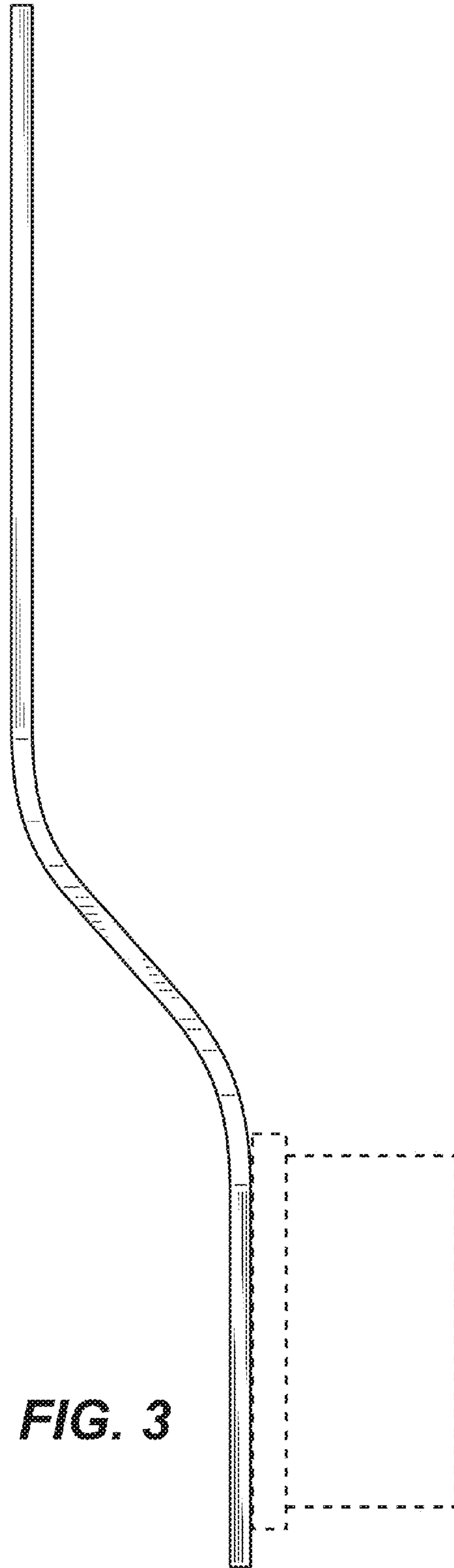


FIG. 3

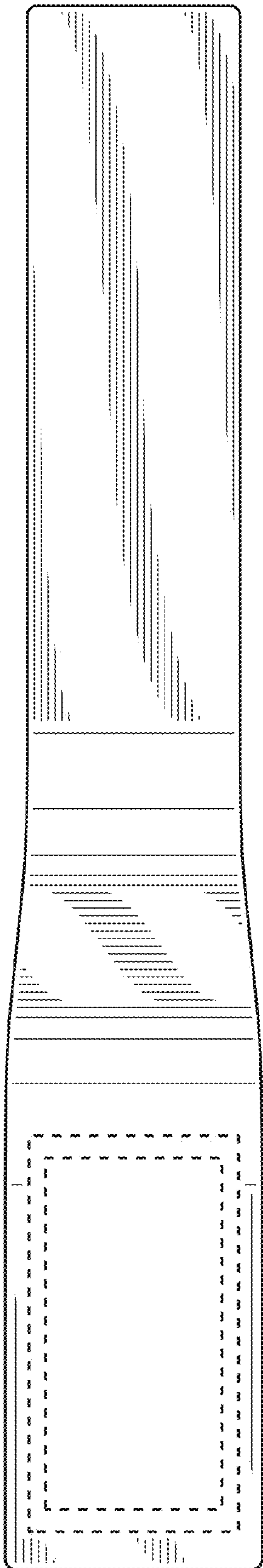


FIG. 4

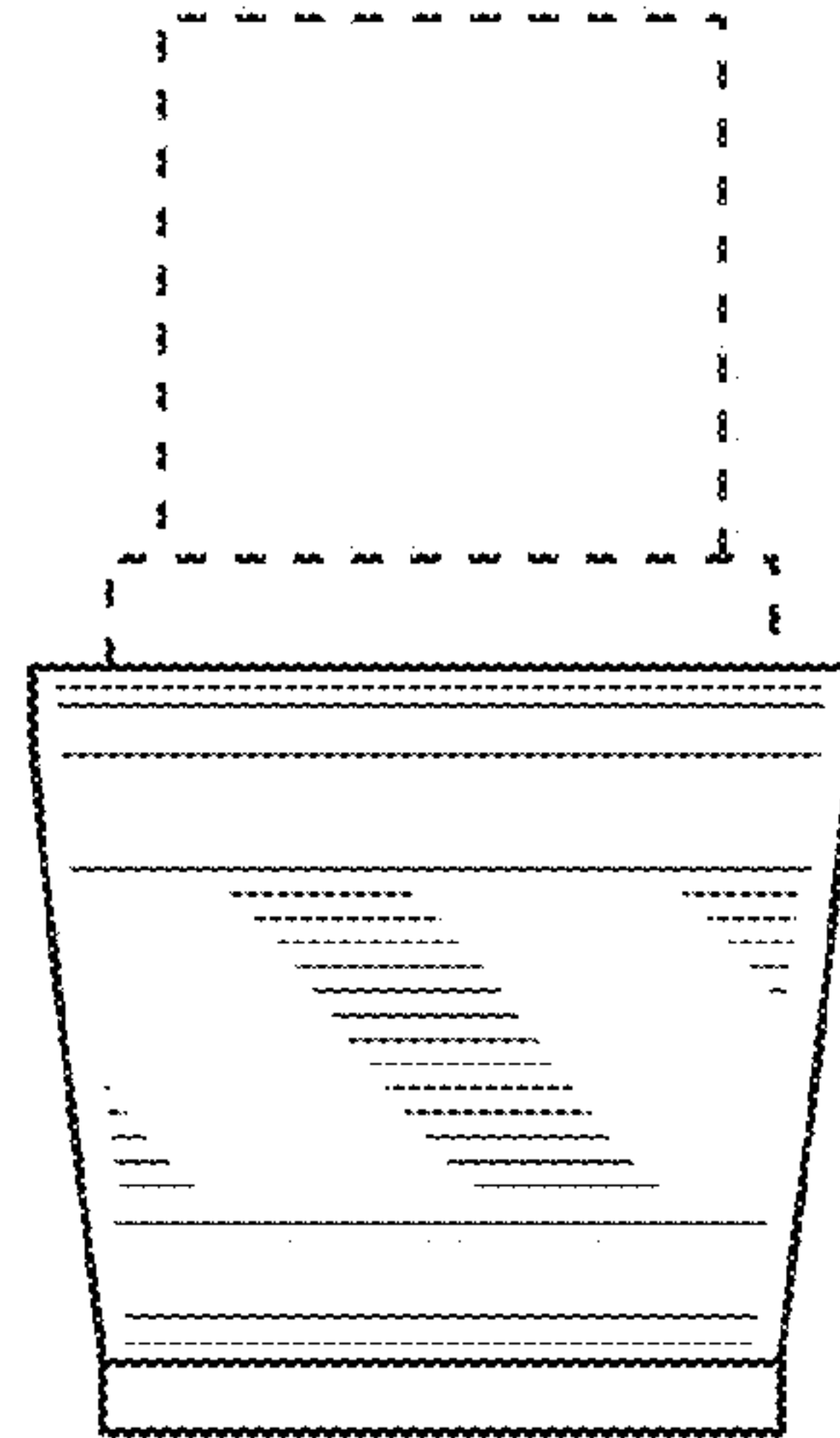


FIG. 5

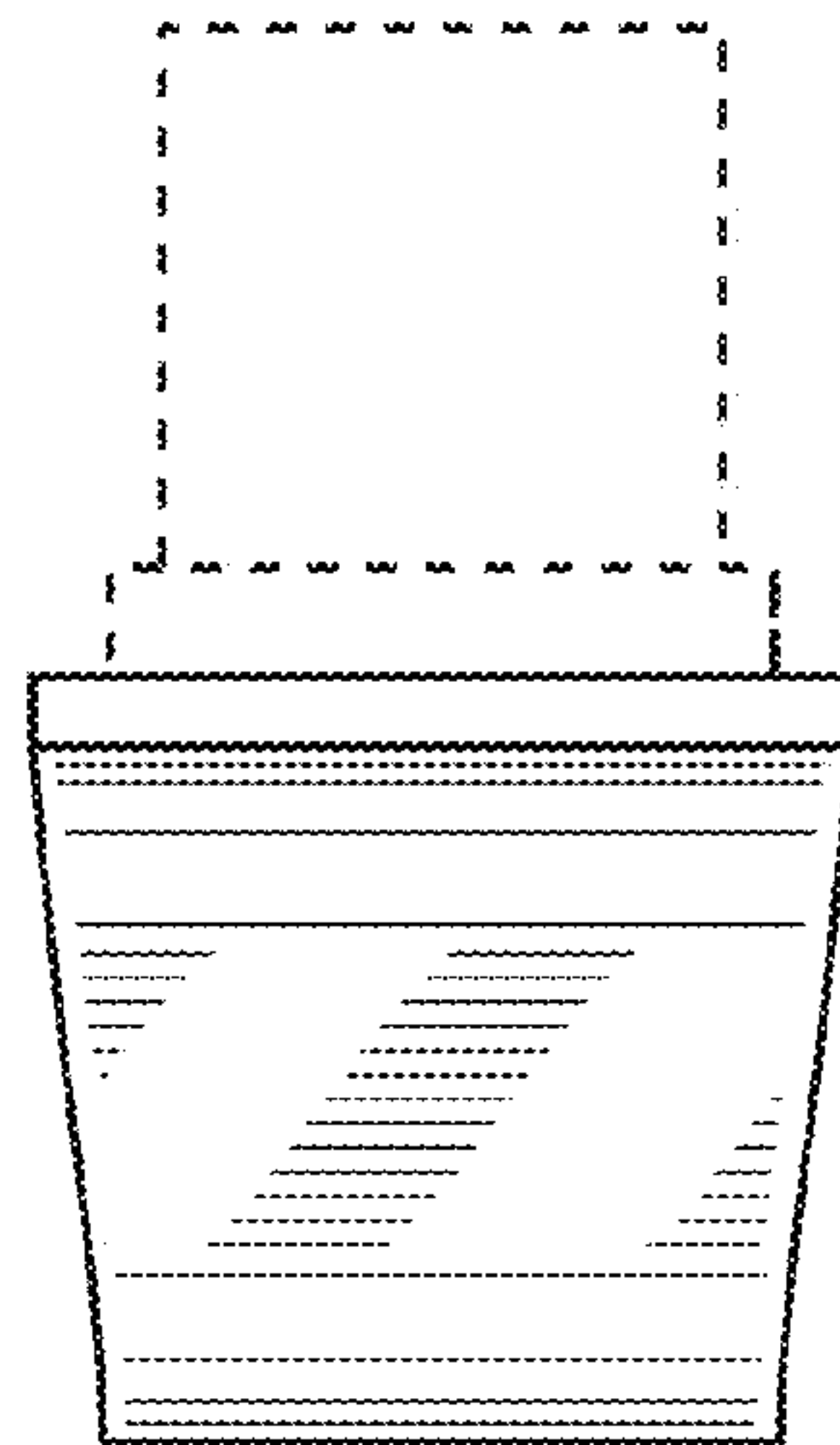


FIG. 6