



US00D713588S

(12) **United States Design Patent**
Clark

(10) **Patent No.:** **US D713,588 S**

(45) **Date of Patent:** **** Sep. 16, 2014**

(54) **LIGHT FIXTURE**

(71) Applicant: **Quoizel, Inc.**, Goose Creek, SC (US)

(72) Inventor: **Ed Clark**, Mount Pleasant, SC (US)

(73) Assignee: **Quoizel, Inc.**, Goose Creek, SC (US)

(**) Term: **14 Years**

(21) Appl. No.: **29/443,441**

(22) Filed: **Jan. 17, 2013**

(51) **LOC (10) Cl.** **26-03**

(52) **U.S. Cl.**
USPC **D26/85; D26/87**

(58) **Field of Classification Search**
USPC D26/67, 68, 72, 85, 87, 92, 118;
362/147, 350, 356, 363, 432
See application file for complete search history.

(56) **References Cited**

U.S. PATENT DOCUMENTS

D71,869 S *	1/1927	Friedman	D26/87
D73,618 S *	10/1927	Miller	D26/87
D313,868 S *	1/1991	Shyu	D26/87
D436,207 S *	1/2001	Pham	D26/72
D442,319 S *	5/2001	Hsu	D26/87
D458,704 S	6/2002	Orozco		
D464,163 S	10/2002	Orozco		
D473,674 S	4/2003	Orozco		
D483,143 S	12/2003	Orozco		
D483,515 S *	12/2003	Radulescu	D26/87
D500,382 S	12/2004	Phillips		
D510,153 S	9/2005	Phillips		
D512,176 S *	11/2005	Flores	D26/118
D534,297 S *	12/2006	Chen	D26/87
D570,028 S *	5/2008	Curtin	D26/85
D574,534 S	8/2008	Lastimoso		

D646,834 S *	10/2011	Chen	D26/87
D652,561 S *	1/2012	Chen	D26/87
D653,379 S *	1/2012	Chen	D26/87
D669,622 S	10/2012	Orozco		
D684,293 S	6/2013	Lastimoso		
D693,954 S *	11/2013	Keng	D26/85

* cited by examiner

Primary Examiner — Clare E Heflin

(74) *Attorney, Agent, or Firm* — Nelson Mullins Riley & Scarborough, LLP

(57) **CLAIM**

The ornamental design for a light fixture, substantially as shown and described.

DESCRIPTION

FIG. 1 is a perspective view of a light fixture embodying the design of the present invention.

FIG. 2 is a front side elevational view of the light fixture illustrated in FIG. 1.

FIG. 3 is a back side elevational view of the light fixture illustrated in FIG. 1.

FIG. 4 is a left side elevational view of the light fixture illustrated in FIG. 1.

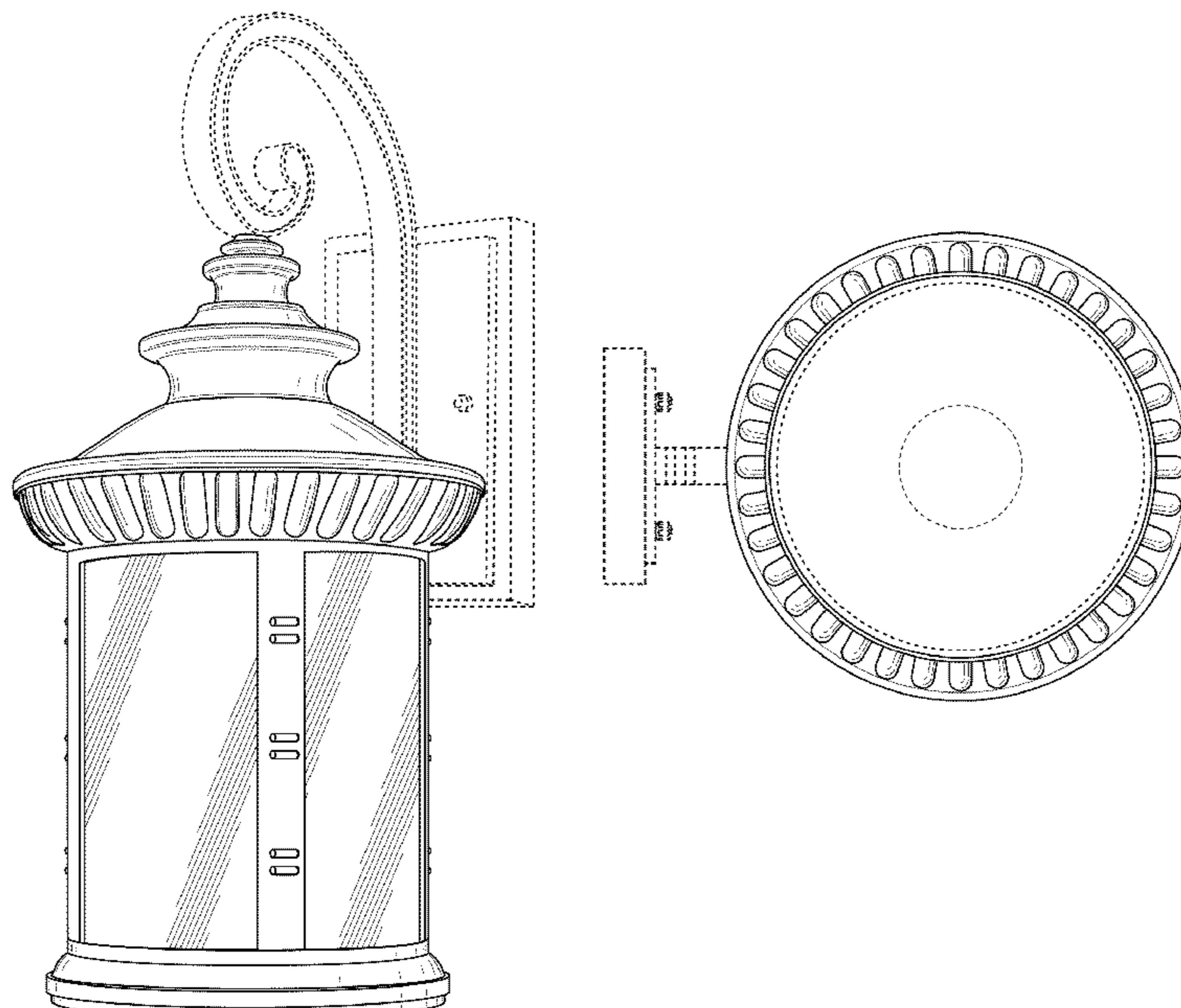
FIG. 5 is a right side elevational view of the light fixture illustrated in FIG. 1.

FIG. 6 is a top view of the light fixture illustrated in FIG. 1; and,

FIG. 7 is a bottom view of the light fixture illustrated in FIG. 1.

The portions shown in broken lines form no part of the claimed design.

1 Claim, 7 Drawing Sheets



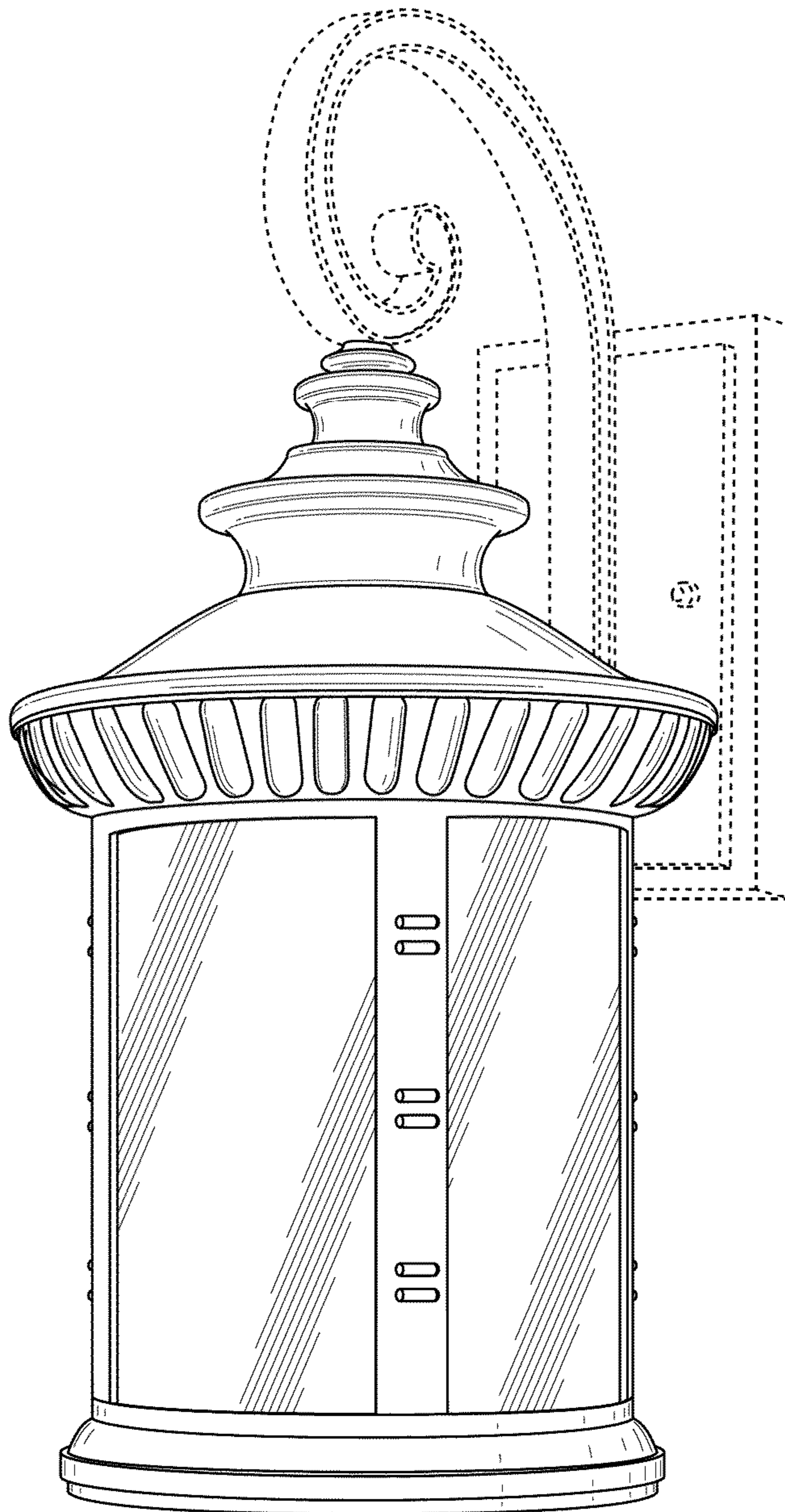


FIG. 1

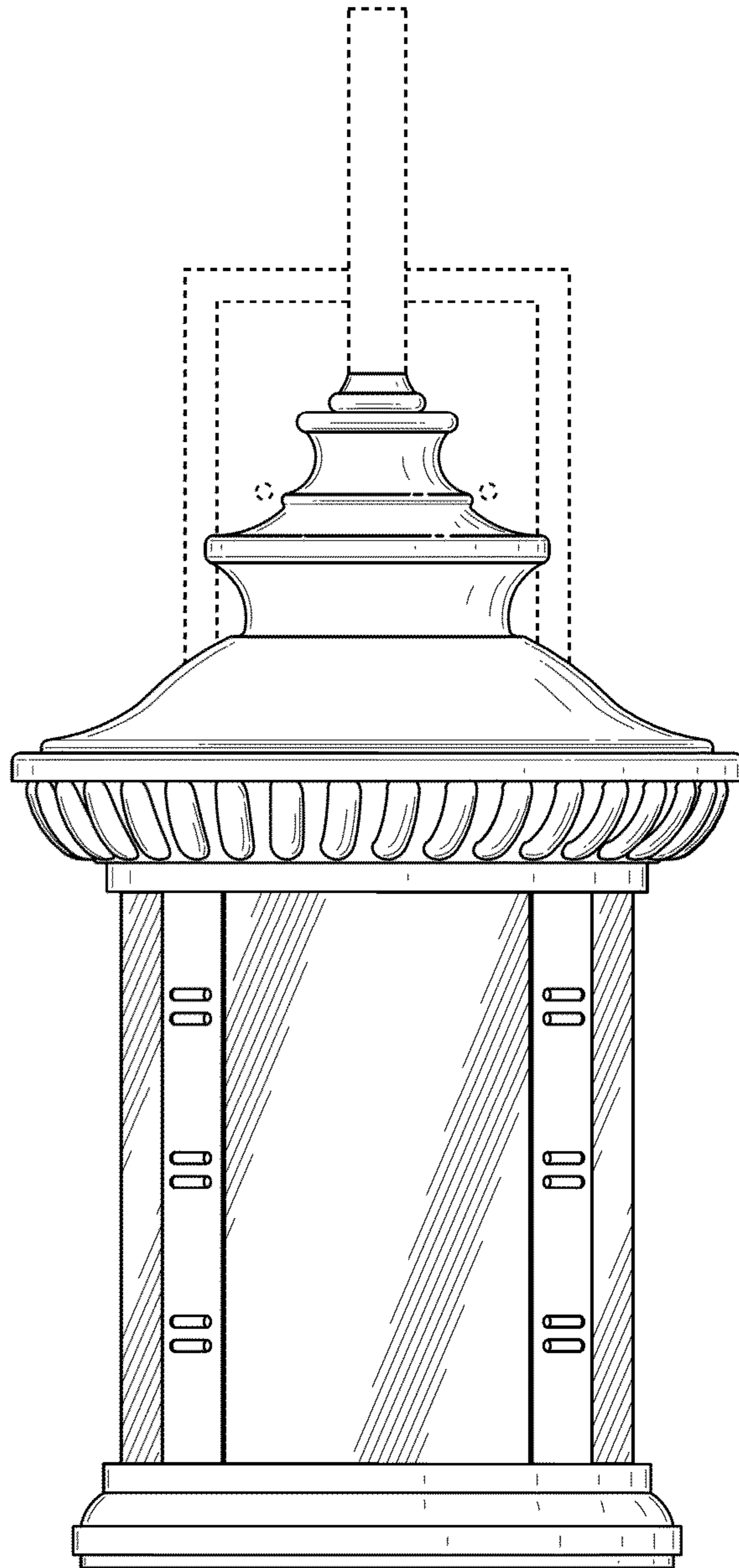


FIG. 2

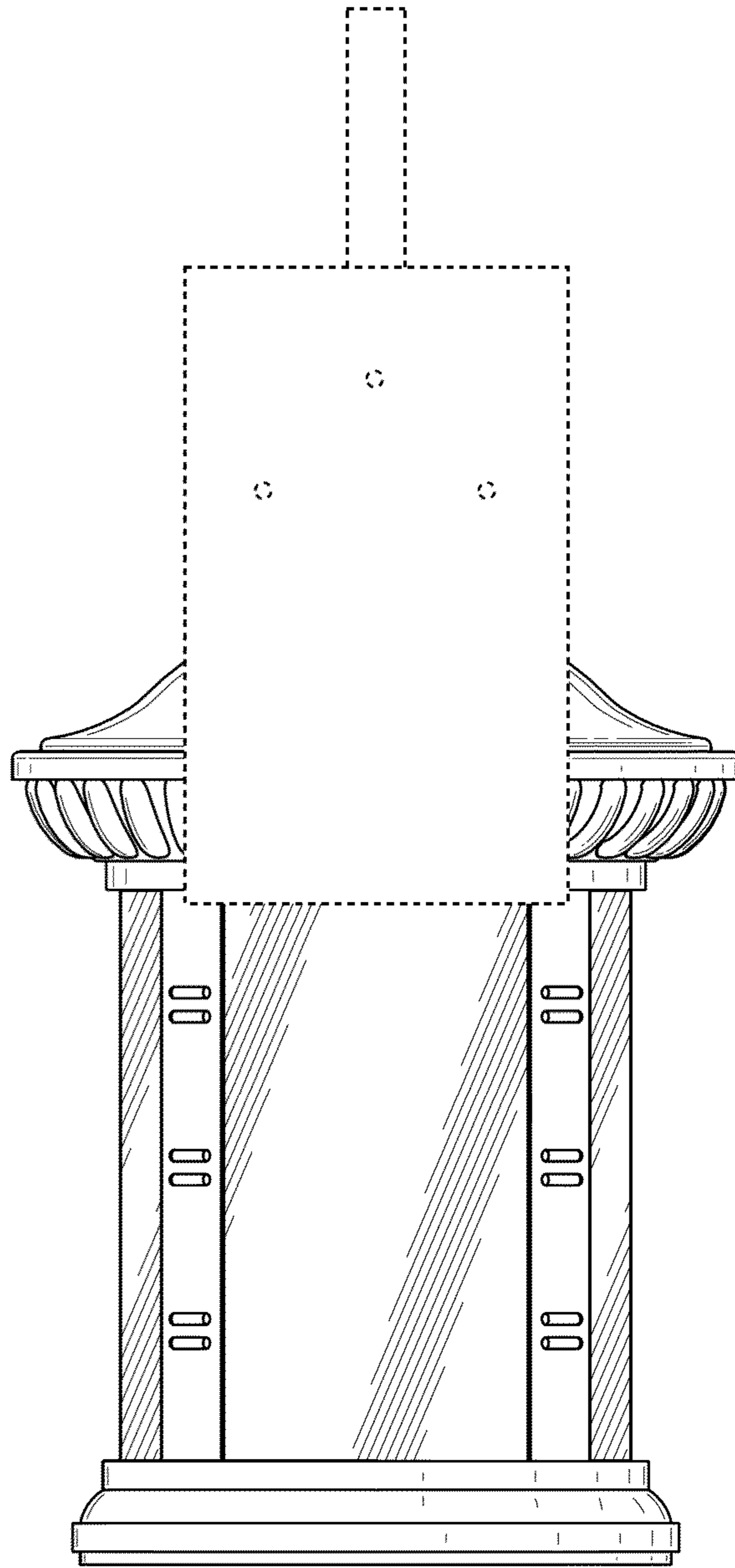


FIG. 3

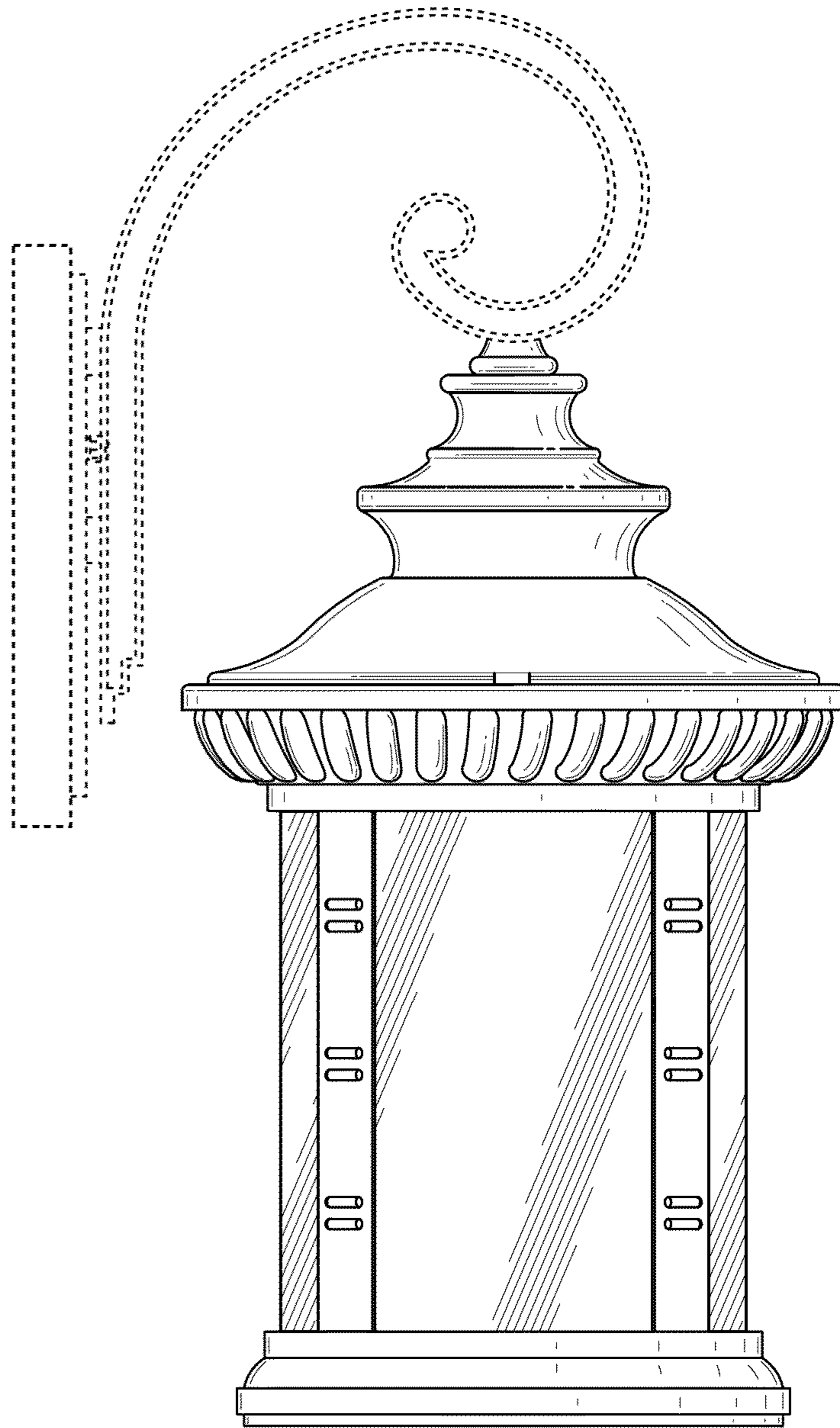


FIG. 4

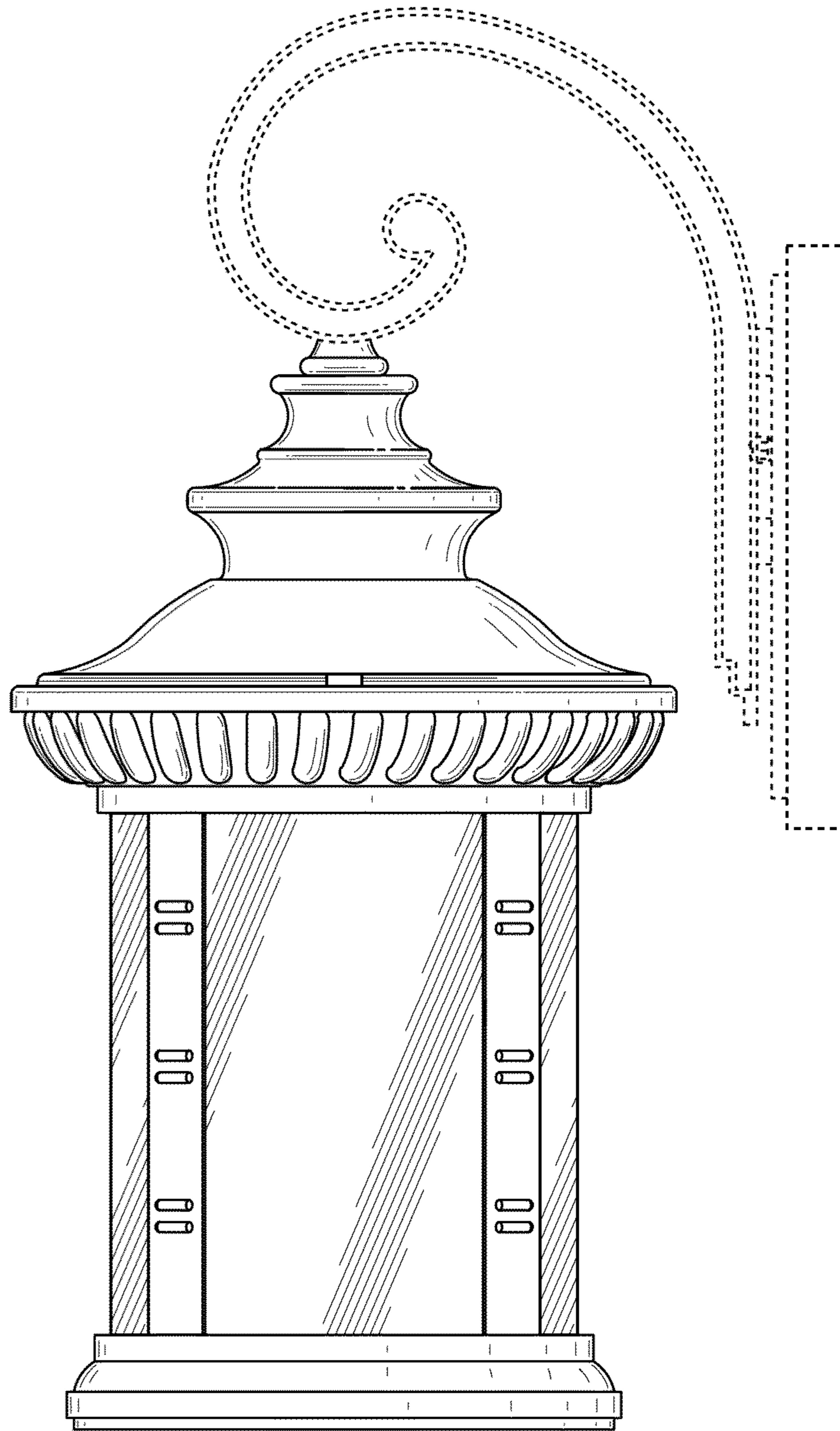


FIG. 5

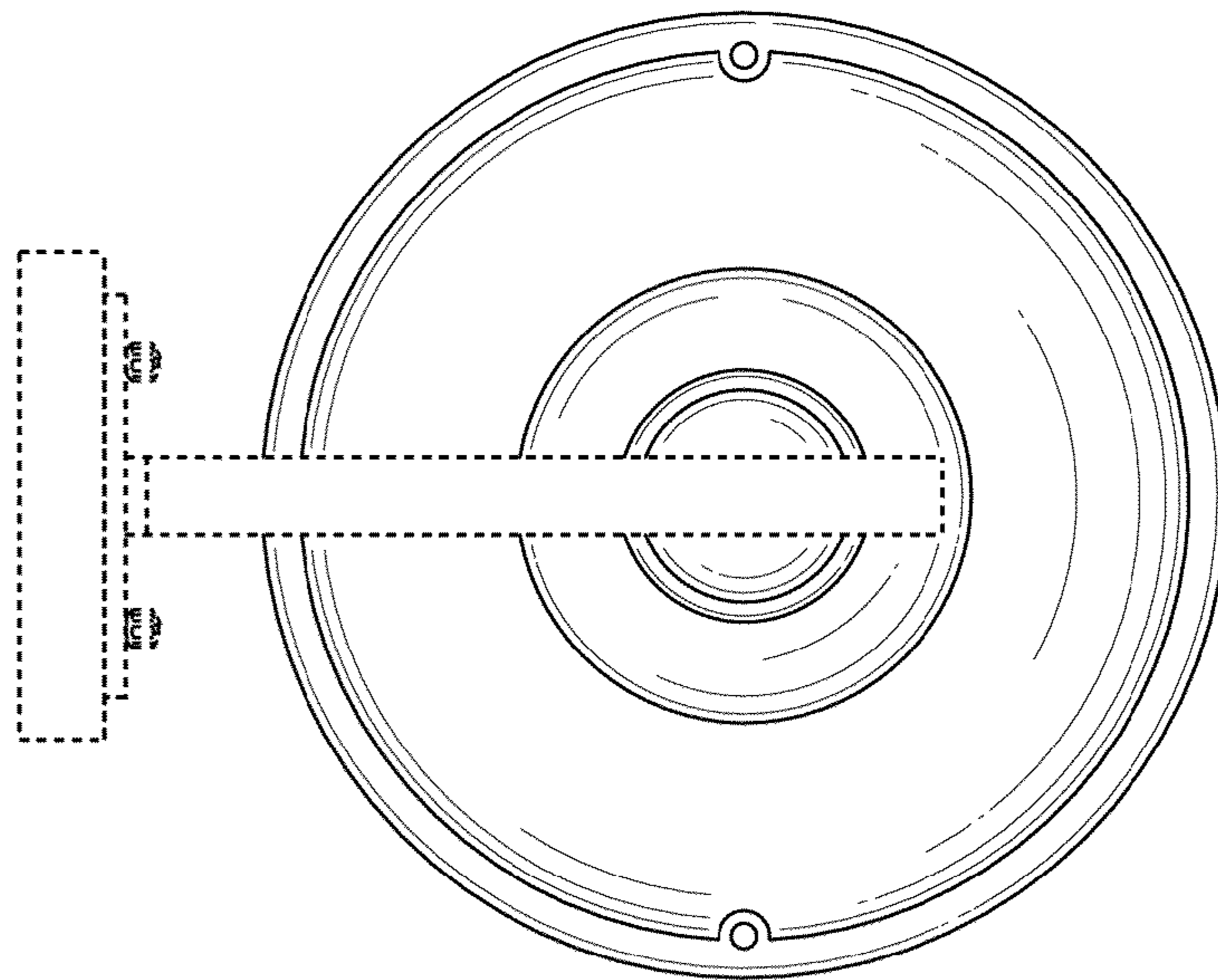


FIG. 6

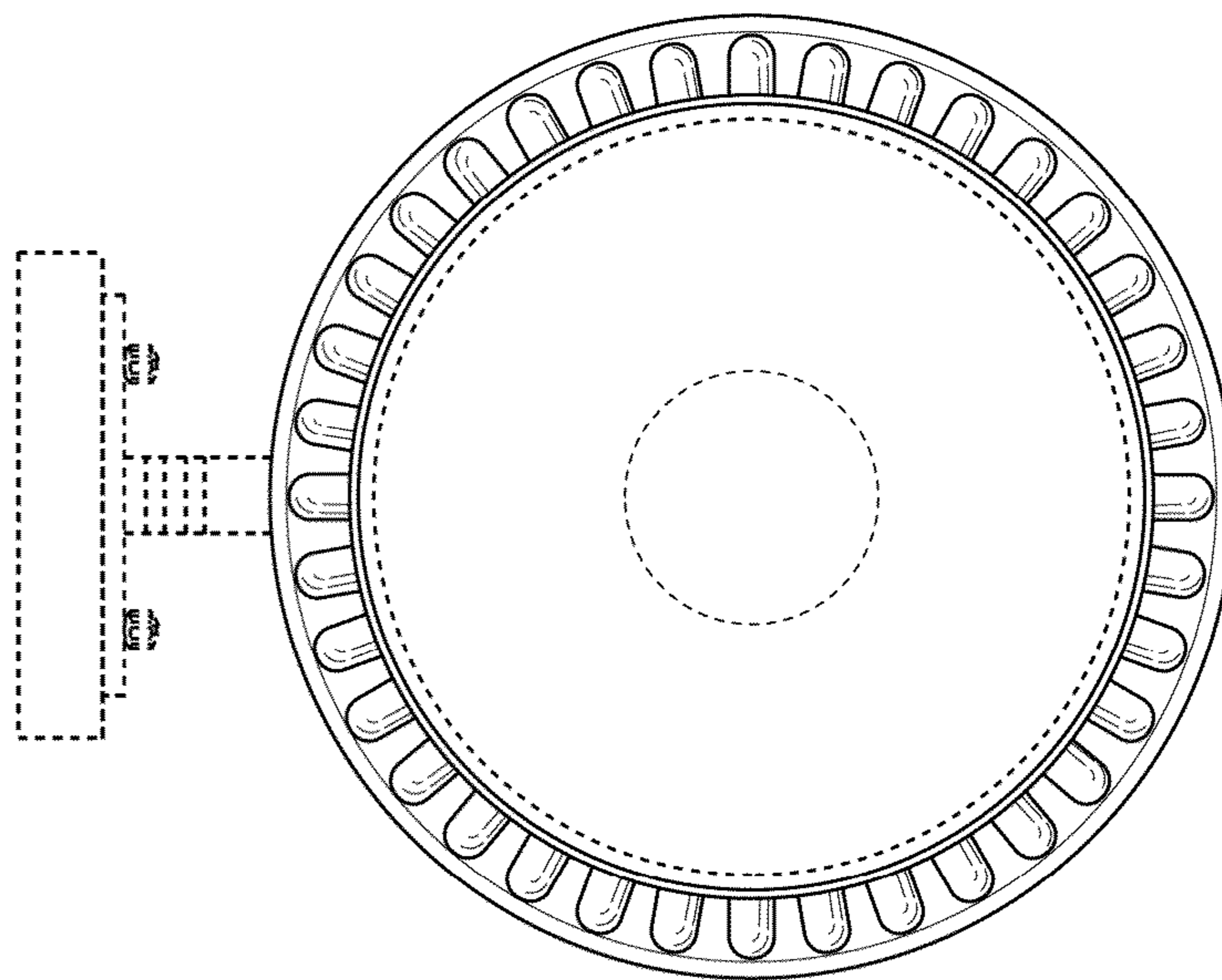


FIG. 7