



US00D713587S

(12) **United States Design Patent**
Clark et al.

(10) **Patent No.:** **US D713,587 S**

(45) **Date of Patent:** **** Sep. 16, 2014**

(54) **LIGHT FIXTURE**

(71) Applicant: **Quoizel, Inc.**, Goose Creek, SC (US)

(72) Inventors: **Ed Clark**, Mount Pleasant, SC (US);
Rex Zhou, Foshan (CN)

(73) Assignee: **Quoizel, Inc.**, Goose Creek, SC (US)

(**) Term: **14 Years**

(21) Appl. No.: **29/443,430**

(22) Filed: **Jan. 17, 2013**

(51) **LOC (10) Cl.** **26-03**

(52) **U.S. Cl.**
USPC **D26/85**; D26/87

(58) **Field of Classification Search**
USPC D26/67, 68, 72, 85, 87, 92, 118;
362/147, 350, 356, 363, 432
See application file for complete search history.

(56) **References Cited**

U.S. PATENT DOCUMENTS

D101,041 S *	9/1936	Janssen	D26/87
D244,310 S *	5/1977	Dunning	D26/85
D427,355 S *	6/2000	Miranda	D26/87
D458,704 S	6/2002	Orozco		
D463,606 S *	9/2002	Orozco	D26/87
D464,163 S	10/2002	Orozco		
D464,766 S *	10/2002	De'Armond et al.	D26/87
D465,059 S *	10/2002	De'Armond	D26/87
D465,873 S *	11/2002	De'Armond	D26/92
D473,674 S	4/2003	Orozco		
D483,138 S *	12/2003	Chen	D26/67
D483,143 S *	12/2003	Orozco	D26/87
D483,515 S	12/2003	Radulescu		
D500,382 S	12/2004	Phillips		
D510,153 S	9/2005	Phillips		
D574,534 S *	8/2008	Lastimosa	D26/67
D653,379 S *	1/2012	Chen	D26/87

D653,380 S *	1/2012	Chen	D26/87
D669,622 S	10/2012	Orozco		
D684,293 S	6/2013	Lastimosa		

OTHER PUBLICATIONS

All lanterns, Items 801 through 807 shown on p. 22 of Artistic Lighting & Designs catalog "The Artistic Collection of Exterior Lighting 2007". © 2007. (3 pages, includes front and rear cover of catalog).*

Kendall lanterns 5230 through 5233 shown on p. 7 of the Artistic Lighting & Designs catalog "The Artistic Collection of Exterior Lighting 2007". © 2007.*

* cited by examiner

Primary Examiner — Clare E Heflin

(74) Attorney, Agent, or Firm — Nelson Mullins Riley & Scarborough LLP

(57) **CLAIM**

The ornamental design for a light fixture, substantially as shown and described.

DESCRIPTION

FIG. 1 is a perspective view of a light fixture embodying the design of the present invention.

FIG. 2 is a front side elevational view of the light fixture illustrated in FIG. 1.

FIG. 3 is a back side elevational view of the light fixture illustrated in FIG. 1.

FIG. 4 is a right side elevational view of the light fixture illustrated in FIG. 1.

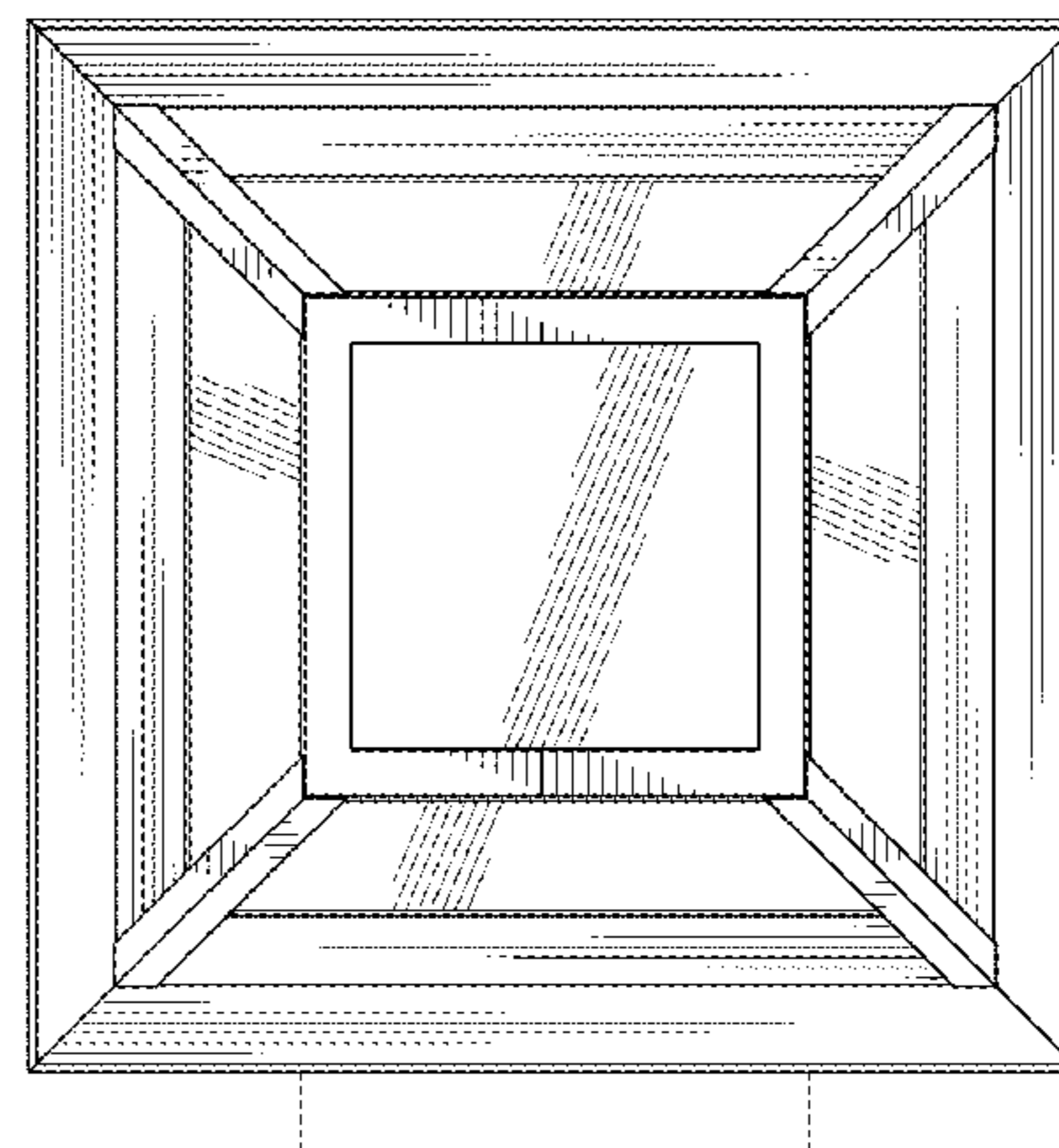
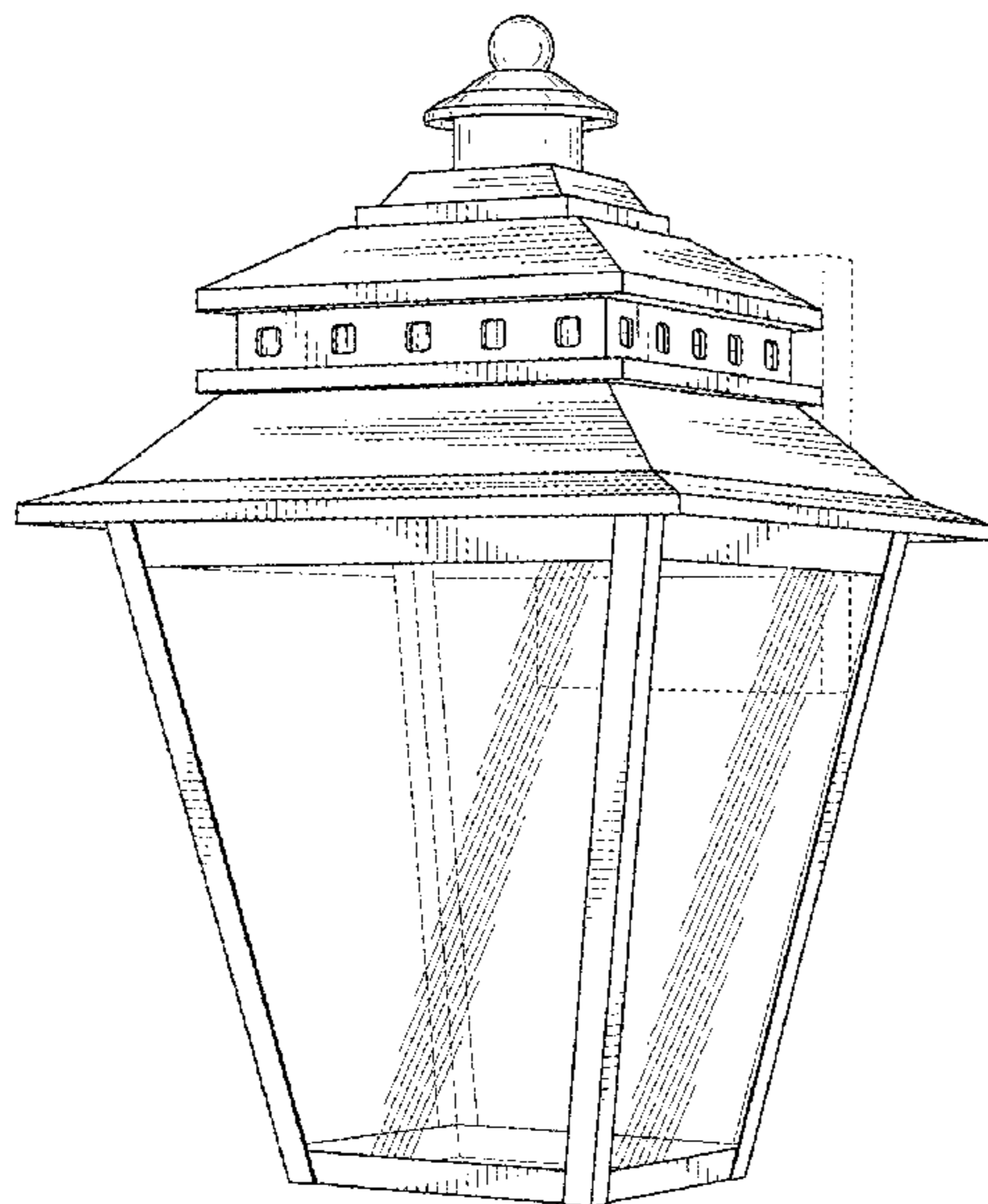
FIG. 5 is a left side elevational view of the light fixture illustrated in FIG. 1.

FIG. 6 is a top view of the light fixture illustrated in FIG. 1; and,

FIG. 7 is a bottom view of the light fixture illustrated in FIG. 1.

The portions shown in broken lines form no part of the claimed design.

1 Claim, 7 Drawing Sheets



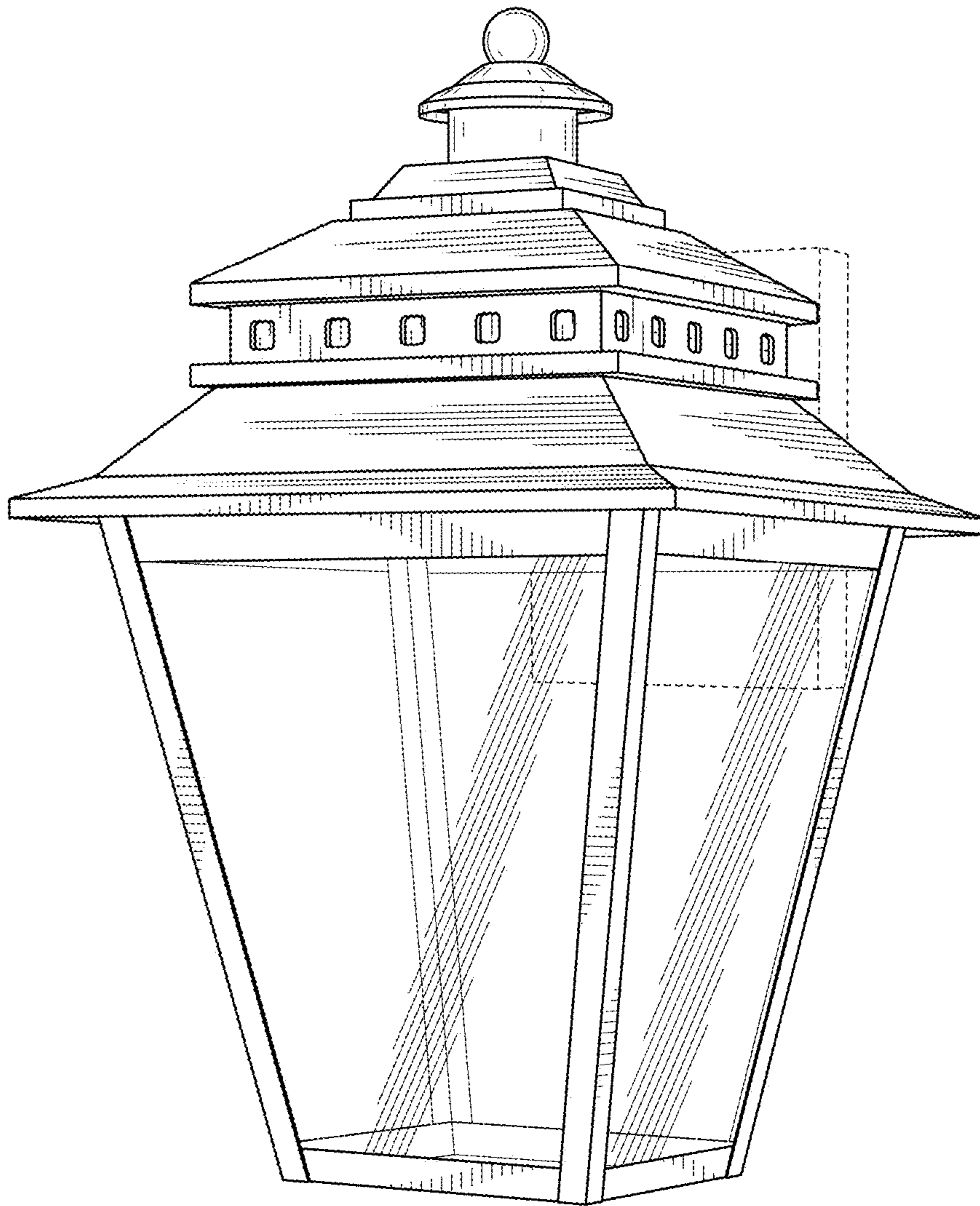


FIG. 1

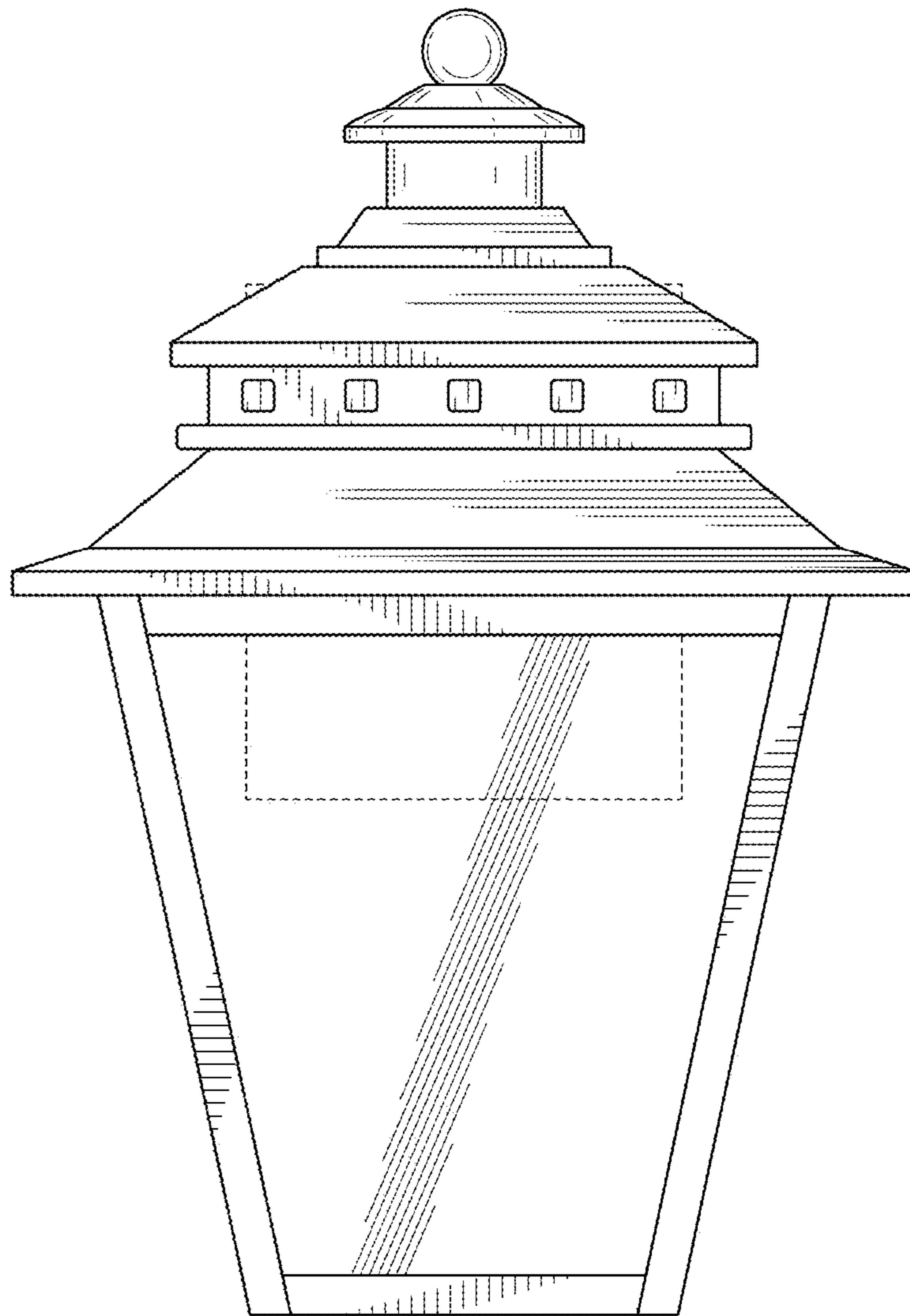


FIG. 2

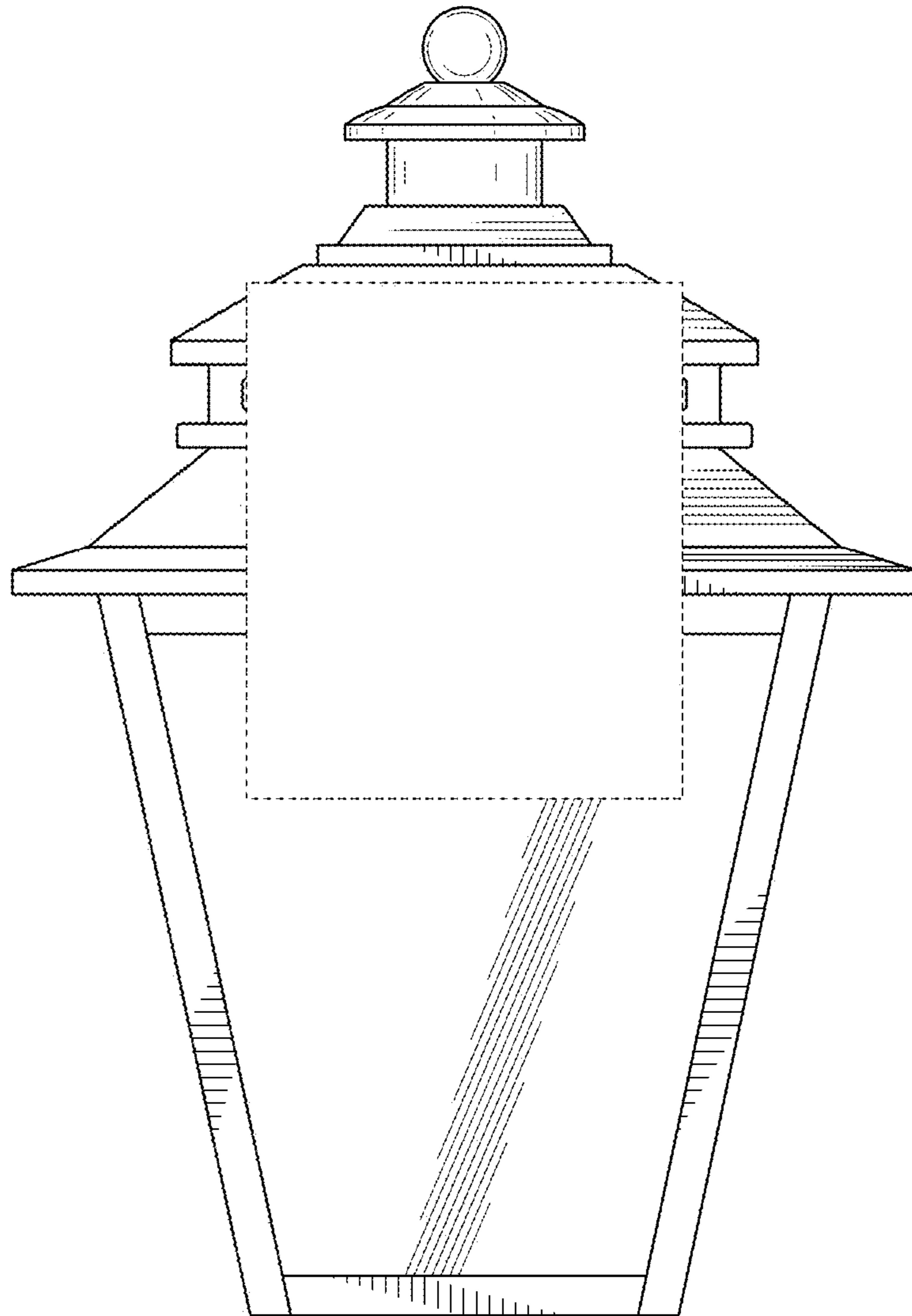


FIG. 3

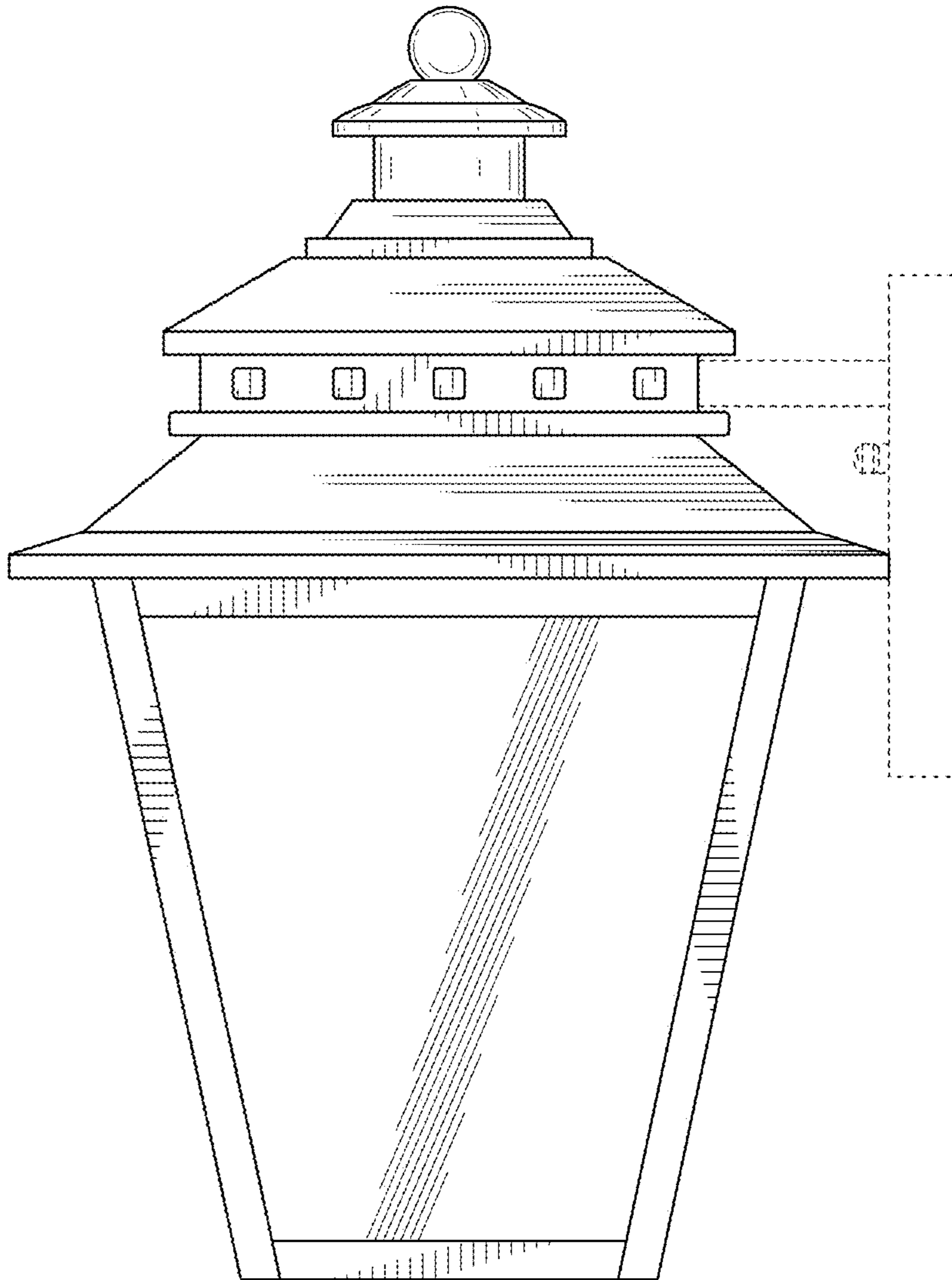


FIG. 4

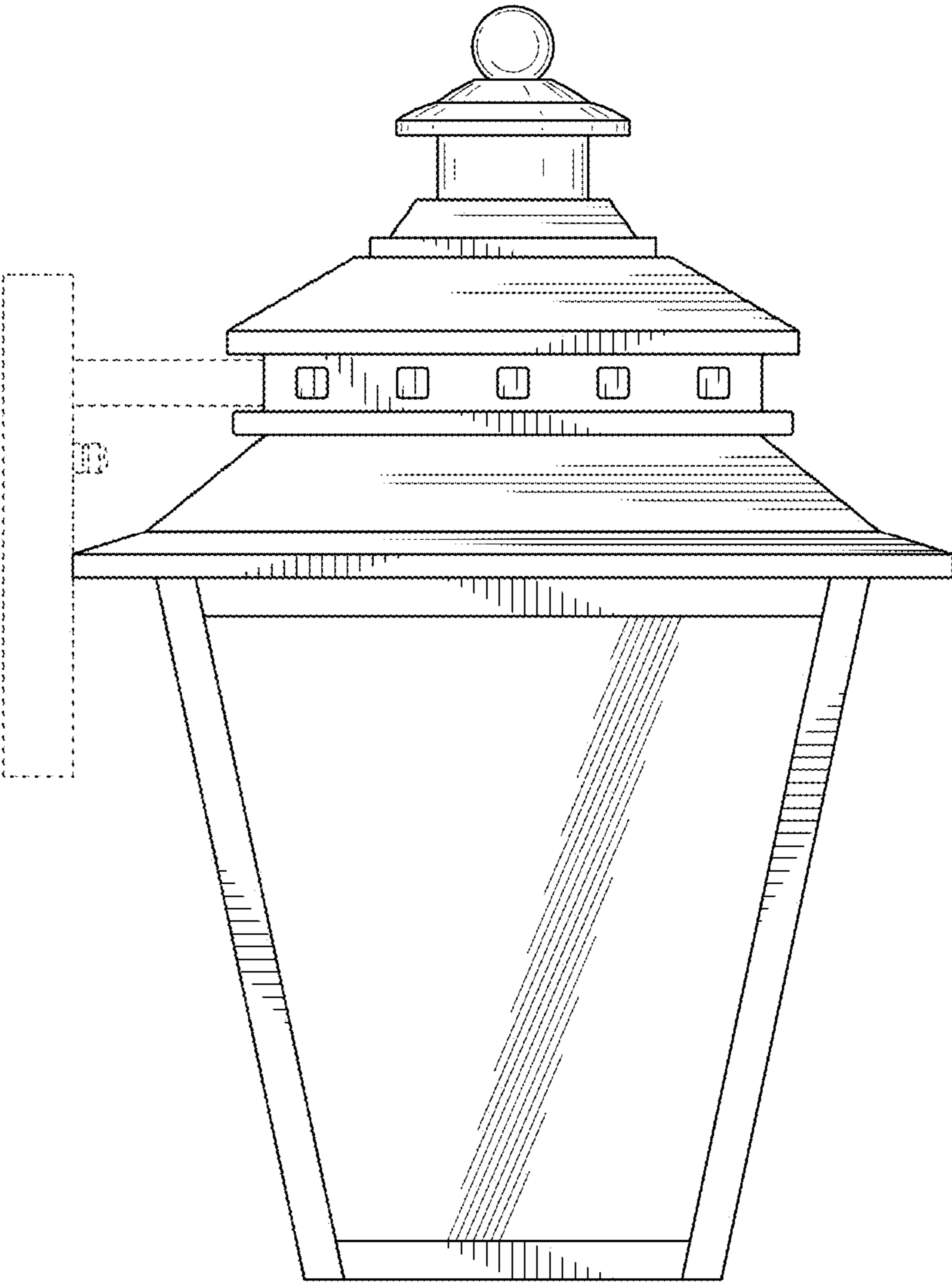


FIG. 5

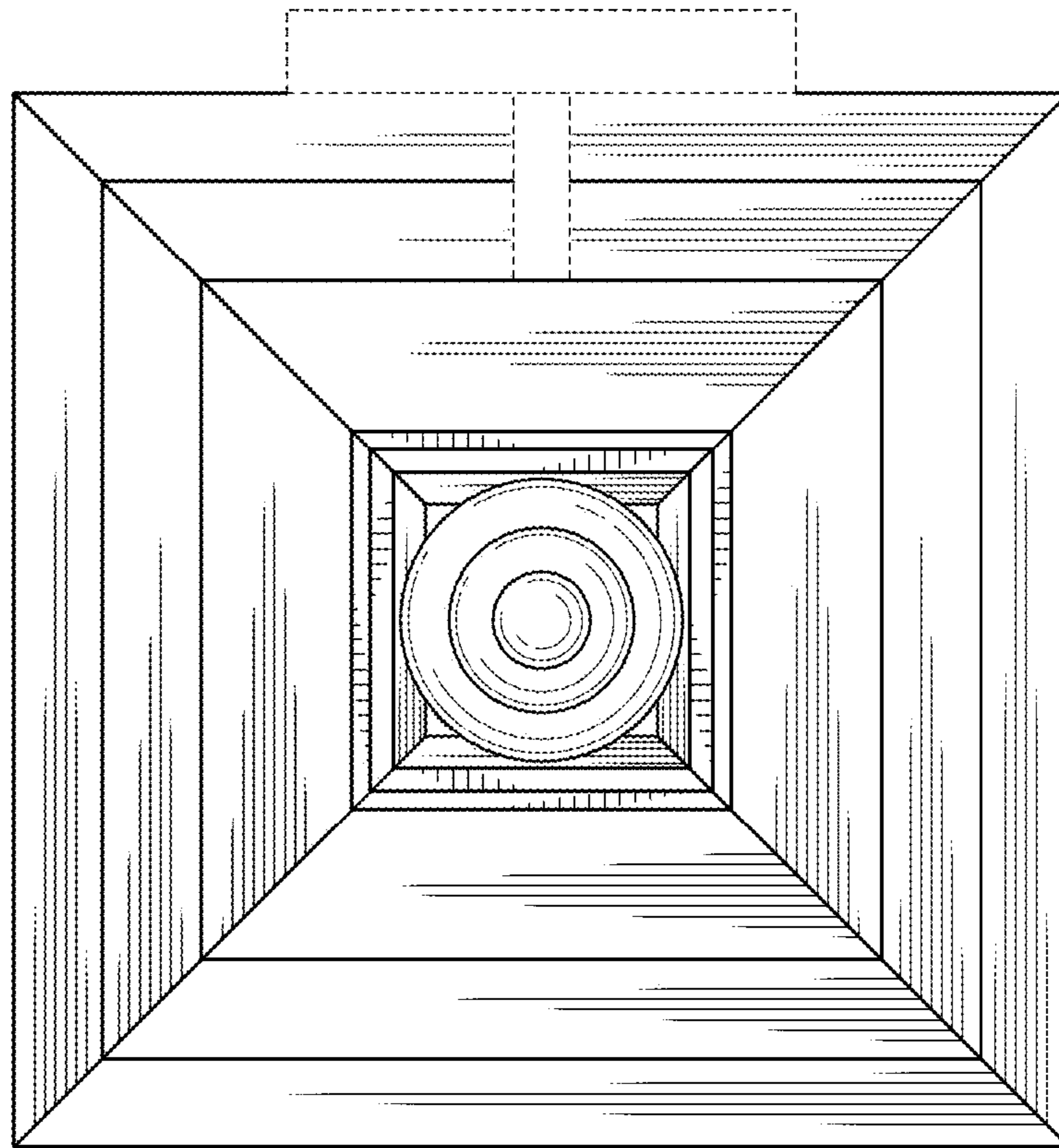


FIG. 6

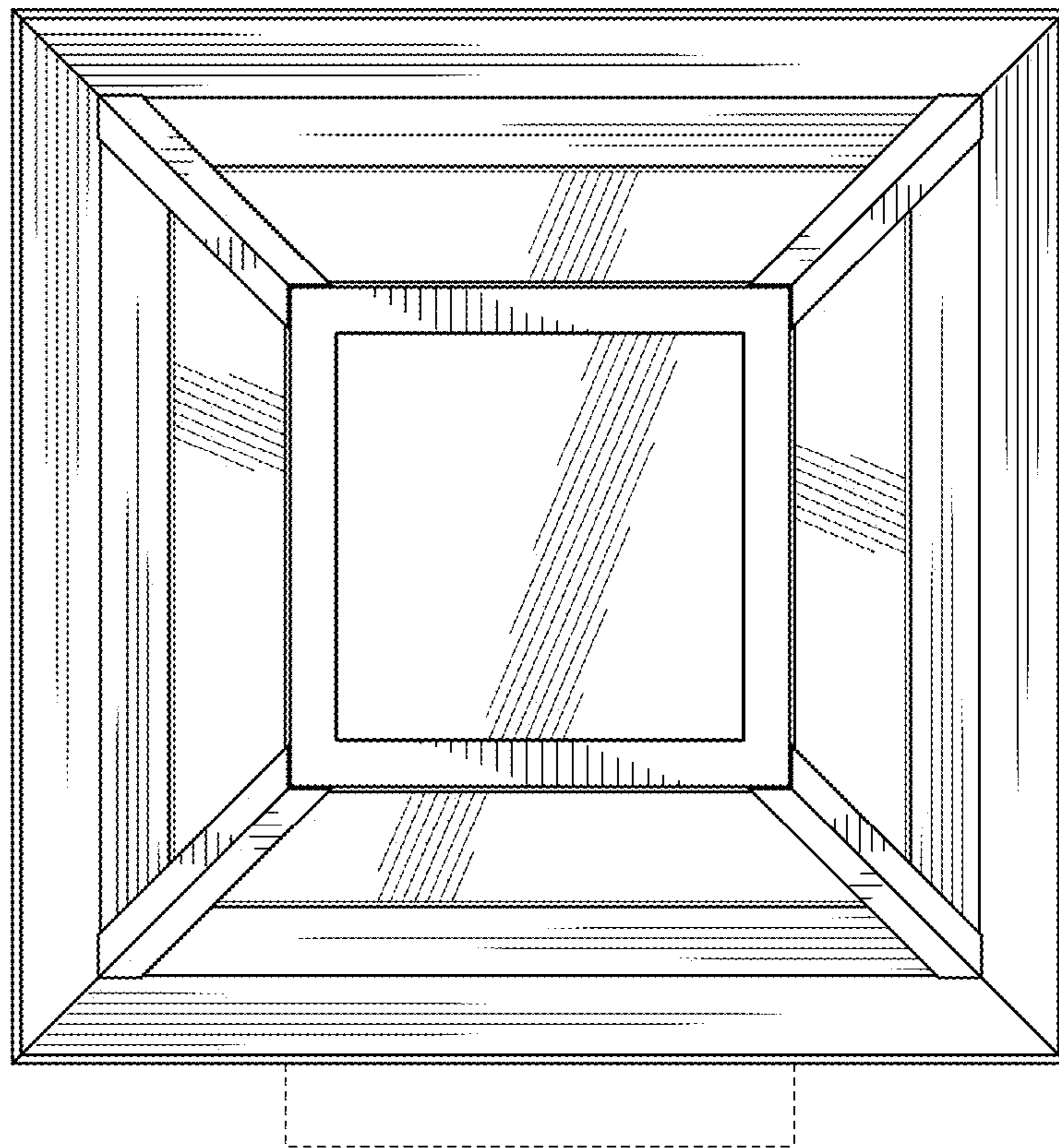


FIG. 7