



US00D713585S

(12) **United States Design Patent**  
**Van Lierde**

(10) **Patent No.:** **US D713,585 S**

(45) **Date of Patent:** **\*\* Sep. 16, 2014**

(54) **DOWNLIGHT**

(75) Inventor: **Jan Van Lierde**, Pontassieve (IT)

(73) Assignee: **Nord Light S.p.A.**, Pontassieve (IT)

(\*\*) Term: **14 Years**

(21) Appl. No.: **29/415,910**

(22) Filed: **Mar. 15, 2012**

(30) **Foreign Application Priority Data**

Sep. 16, 2011 (EM) ..... 001293609

(51) **LOC (10) Cl.** ..... **26-05**

(52) **U.S. Cl.**  
USPC ..... **D26/74**; D26/66

(58) **Field of Classification Search**  
USPC ..... D26/63, 72, 74, 76, 81-85, 113, 118,  
D26/119, 120, 123, 124, 128, 129, 152, 51,  
D26/52, 56, 58, 61, 64, 66, 79, 87-90, 91,  
D26/137-142, 145; D25/60; D23/354, 393;  
362/145, 147, 148, 150, 350, 362, 364,  
362/404-408, 431, 432, 456; 138/149  
See application file for complete search history.

(56) **References Cited**

**U.S. PATENT DOCUMENTS**

2,733,787	A *	2/1956	Morra	.....	52/97
2,791,681	A *	5/1957	Evans et al.	.....	362/374
D192,608	S *	4/1962	Lawrence	.....	D26/76
D215,003	S *	8/1969	Walter et al.	.....	D23/393
3,712,271	A *	1/1973	Greathouse	.....	D8/396
D231,356	S *	4/1974	Kurz	.....	D23/393
D231,559	S *	4/1974	Darling	.....	D26/63
4,046,409	A *	9/1977	Virgin	.....	285/305
4,067,157	A *	1/1978	Robinson	.....	52/127.2
D298,276	S *	10/1988	Butcher	.....	D23/354
D316,156	S *	4/1991	Gecchelin	.....	D26/63
D323,037	S *	1/1992	Edwards	.....	D26/118

D342,130	S *	12/1993	Anderson et al.	.....	D23/393
5,350,105	A *	9/1994	Delalle et al.	.....	228/56.3
D353,910	S *	12/1994	Hayman et al.	.....	D26/118
5,373,431	A *	12/1994	Hayman et al.	.....	362/364
D402,773	S *	12/1998	Lo	.....	D26/24
D411,031	S *	6/1999	Conn et al.	.....	D26/118
D422,745	S *	4/2000	Losole, III	.....	D26/138

(Continued)

**OTHER PUBLICATIONS**

Beveled Cylinder Down-lites Brochure, Sep. 24, 2009. Juno Lighting, [http://www.electricbargainstores.com/v/vspfiles/PDF\\_spec/Juno/recessed/trims/4-inch-low-voltage/29-brochure.pdf](http://www.electricbargainstores.com/v/vspfiles/PDF_spec/Juno/recessed/trims/4-inch-low-voltage/29-brochure.pdf).\*

(Continued)

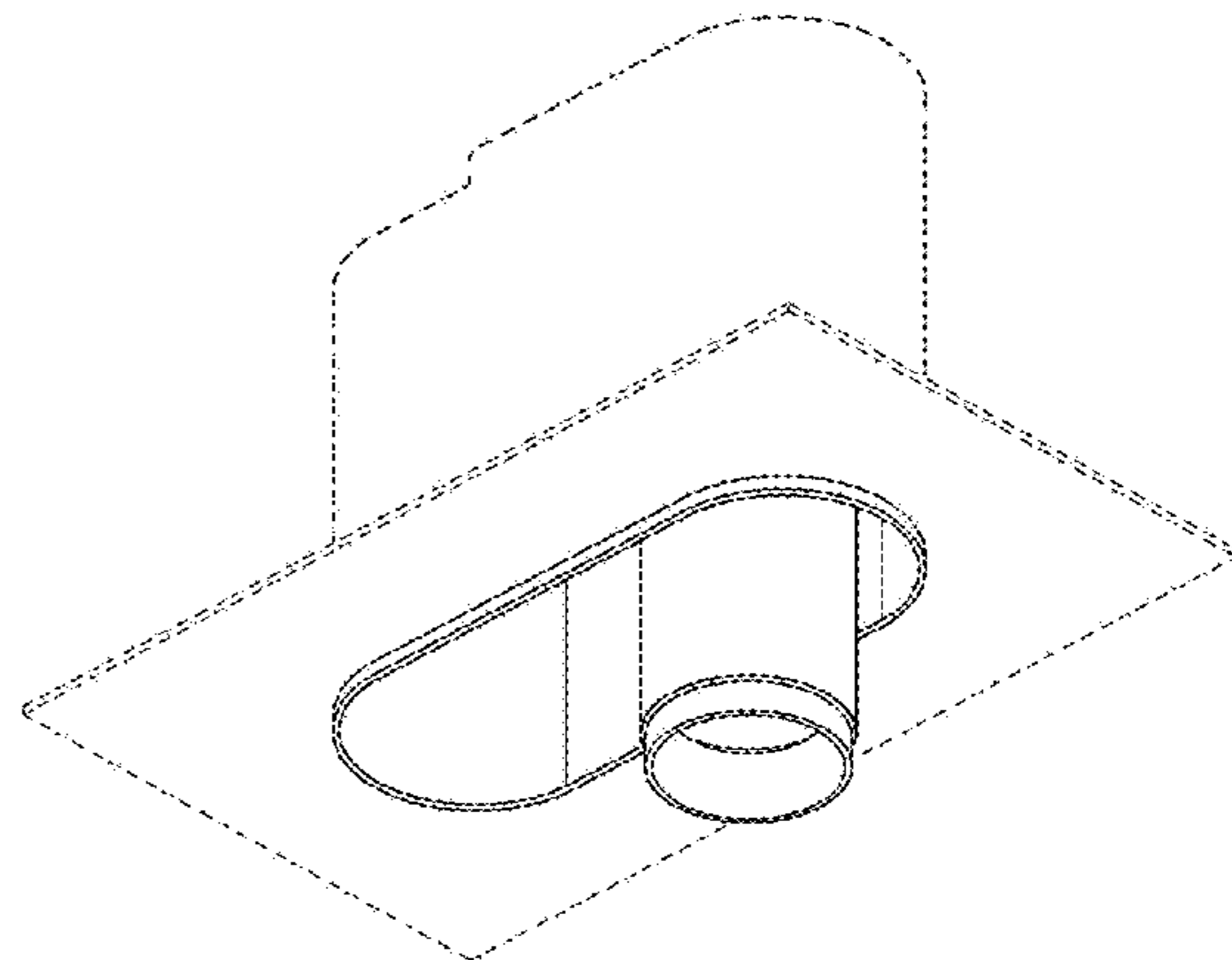
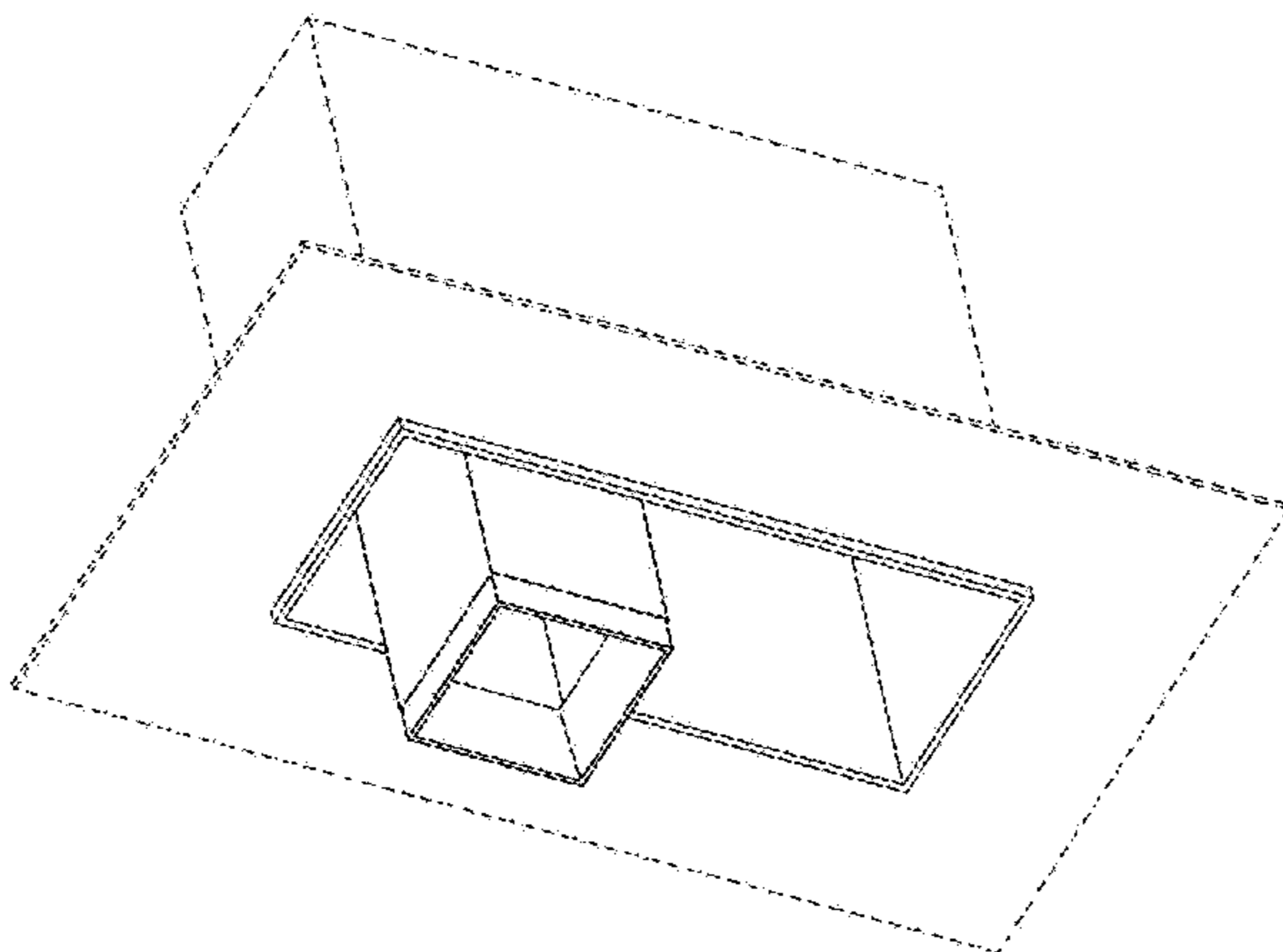
*Primary Examiner* — Garth Rademaker  
*Assistant Examiner* — Llorellys Martinez-Rivera  
(74) *Attorney, Agent, or Firm* — Leason Ellis LLP

(57) **CLAIM**  
The ornamental design for a downlight, as shown and described.

**DESCRIPTION**

FIG. 1 is a bottom perspective view of a downlight showing my new design according to a first embodiment;  
FIG. 2 is a bottom perspective view in a first operation position thereof;  
FIG. 3 is a bottom perspective view in a second operation position thereof;  
FIG. 4 is a bottom perspective view of a downlight showing my new design according to a second embodiment;  
FIG. 5 is a bottom perspective view in a first operation position thereof; and,  
FIG. 6 is a bottom perspective view in a second operation position thereof.  
The broken lines shown in FIGS. 1-6 depict environmental subject matter only and form no part of the claimed design.

**1 Claim, 4 Drawing Sheets**



(56)

**References Cited**

U.S. PATENT DOCUMENTS

D426,902 S \* 6/2000 Hardy et al. .... D26/9  
 6,152,746 A \* 11/2000 Brown ..... 439/99  
 6,213,522 B1 \* 4/2001 Jacobson et al. .... 285/424  
 D454,210 S \* 3/2002 Lindgren et al. .... D25/60  
 D461,887 S \* 8/2002 Mattsson et al. .... D23/393  
 D464,455 S \* 10/2002 Fong et al. .... D26/63  
 D465,061 S \* 10/2002 Guthrie ..... D26/138  
 D475,781 S \* 6/2003 Mattsson et al. .... D23/393  
 D488,858 S \* 4/2004 Stout, Jr. .... D23/393  
 D490,581 S \* 5/2004 Keithly et al. .... D34/1  
 6,814,105 B1 \* 11/2004 Crim, Jr. .... 138/149  
 D528,694 S \* 9/2006 Barozzini ..... D26/72  
 D563,579 S \* 3/2008 Grimberg et al. .... D26/61  
 D571,038 S \* 6/2008 Chan et al. .... D26/152  
 D575,444 S \* 8/2008 Lissoni ..... D26/137  
 D584,440 S \* 1/2009 Allen ..... D26/76  
 D600,392 S \* 9/2009 Ling et al. .... D26/74  
 D602,187 S \* 10/2009 Fabbri et al. .... D26/74  
 D627,498 S \* 11/2010 Chipperfield ..... D26/63  
 D627,503 S \* 11/2010 Postelmans ..... D26/93

7,839,635 B2 \* 11/2010 Donowho et al. .... 361/692  
 D641,914 S \* 7/2011 Sprengers ..... D26/89  
 D643,957 S \* 8/2011 Verelst et al. .... D26/65  
 D653,800 S \* 2/2012 Huang ..... D26/139  
 8,186,387 B2 \* 5/2012 Wadsworth ..... 138/149  
 D661,421 S \* 6/2012 Hor et al. .... D26/84  
 D664,287 S \* 7/2012 Cegnar ..... D26/128  
 D667,989 S \* 9/2012 May ..... D26/139  
 D668,371 S \* 10/2012 Alpaslan et al. .... D26/72  
 D677,423 S \* 3/2013 Reddy ..... D26/128  
 D678,586 S \* 3/2013 Mayfield, III ..... D26/74  
 D690,805 S \* 10/2013 Correia ..... D23/393  
 D690,867 S \* 10/2013 Mayfield, III ..... D26/74  
 2005/0257847 A1 \* 11/2005 Francesco et al. .... 138/125

OTHER PUBLICATIONS

Bevel Compact Fluorescent Downlight, May 11, 2011. USA Illumination, [http://www.usaillumination.com/pdf/9700-Bevel\\_CFL\\_Spec\\_Sheet.pdf](http://www.usaillumination.com/pdf/9700-Bevel_CFL_Spec_Sheet.pdf).  
 Round recessed ceiling LED Spotlight. Apr. 16, 2013. Spyder Wever-Ducre, <http://www.wever-ducre.com/Catalog/en/WEVSPYDER>.

\* cited by examiner

Fig. 1

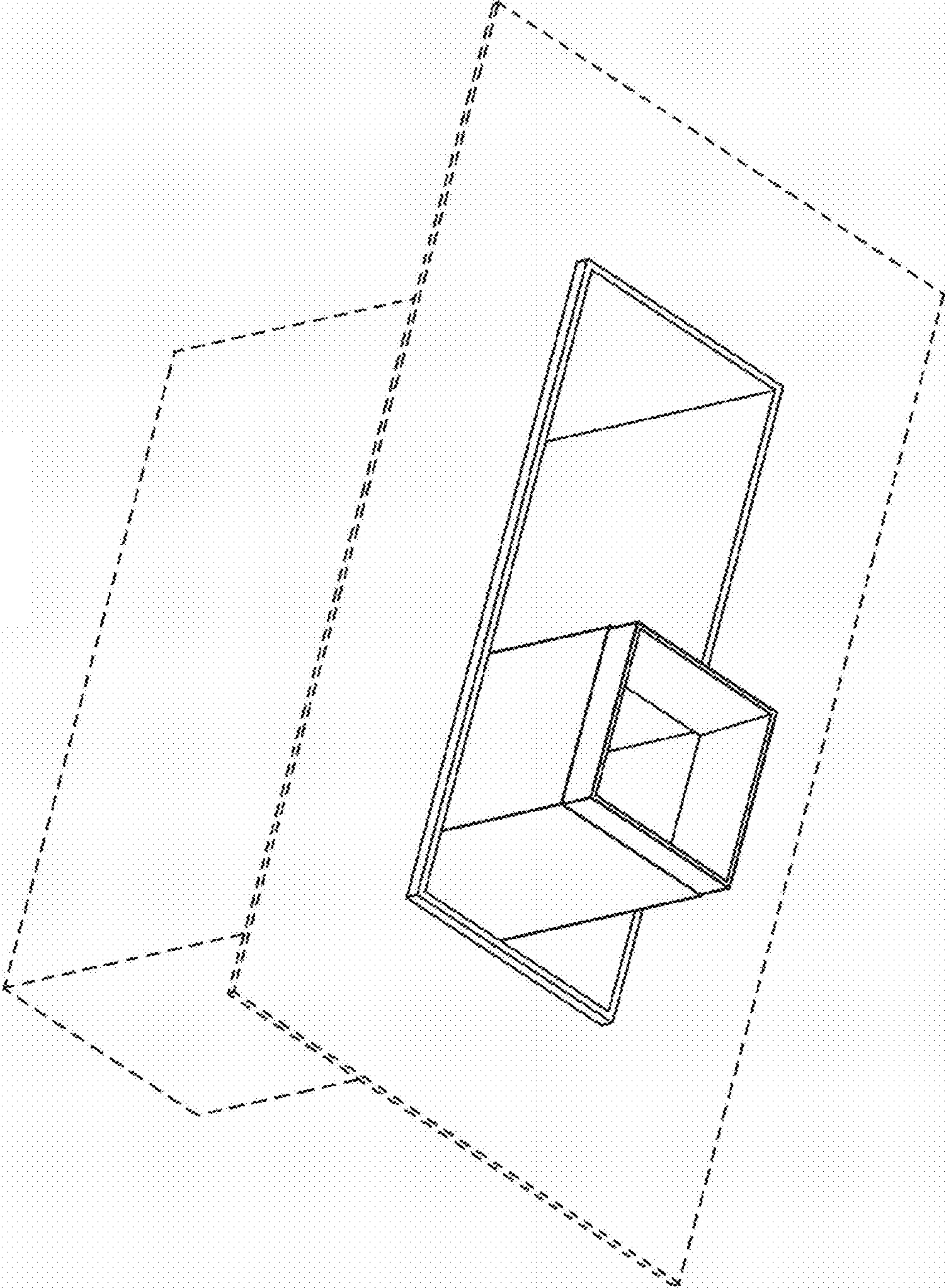


Fig. 2

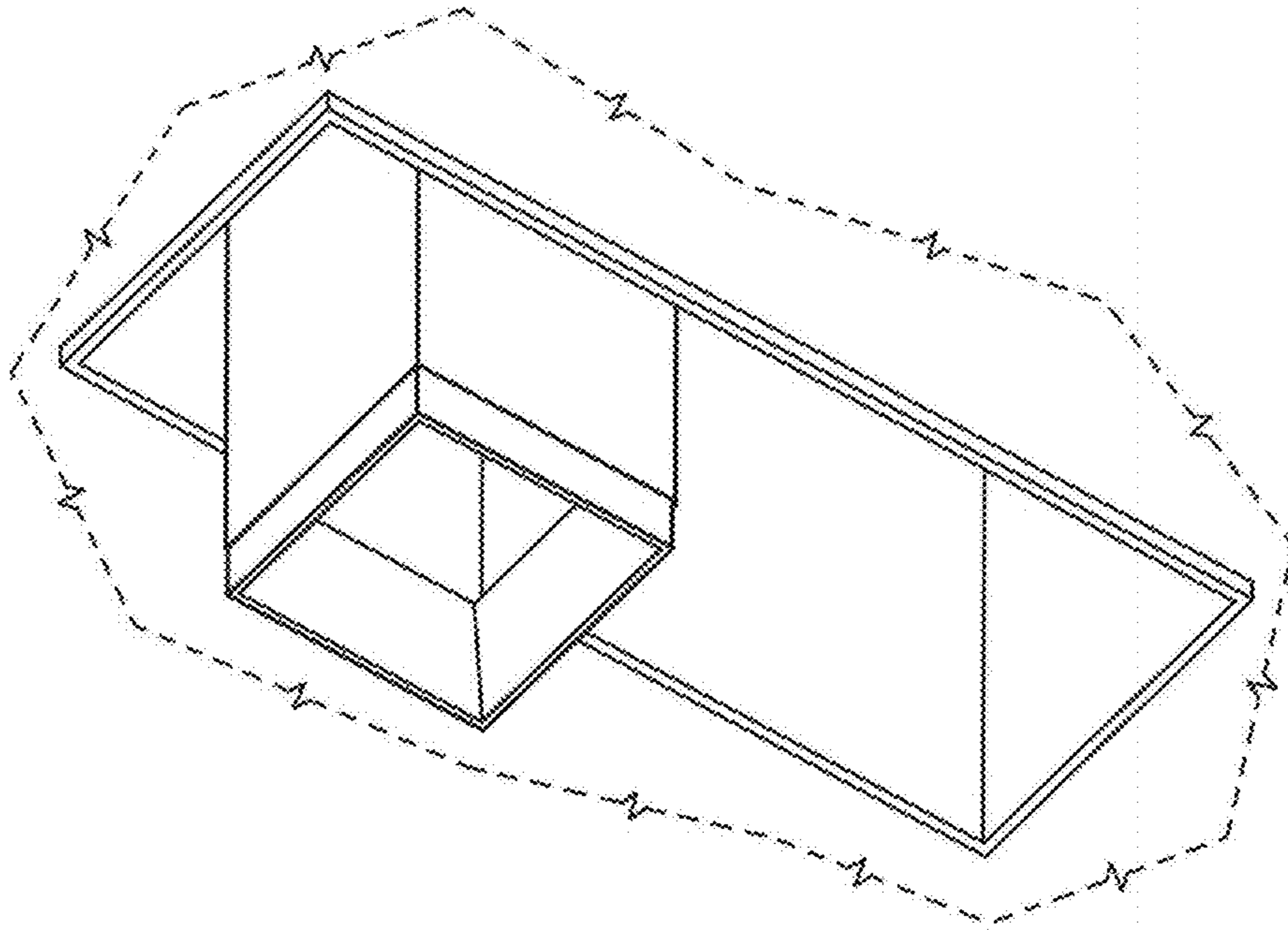


Fig. 3

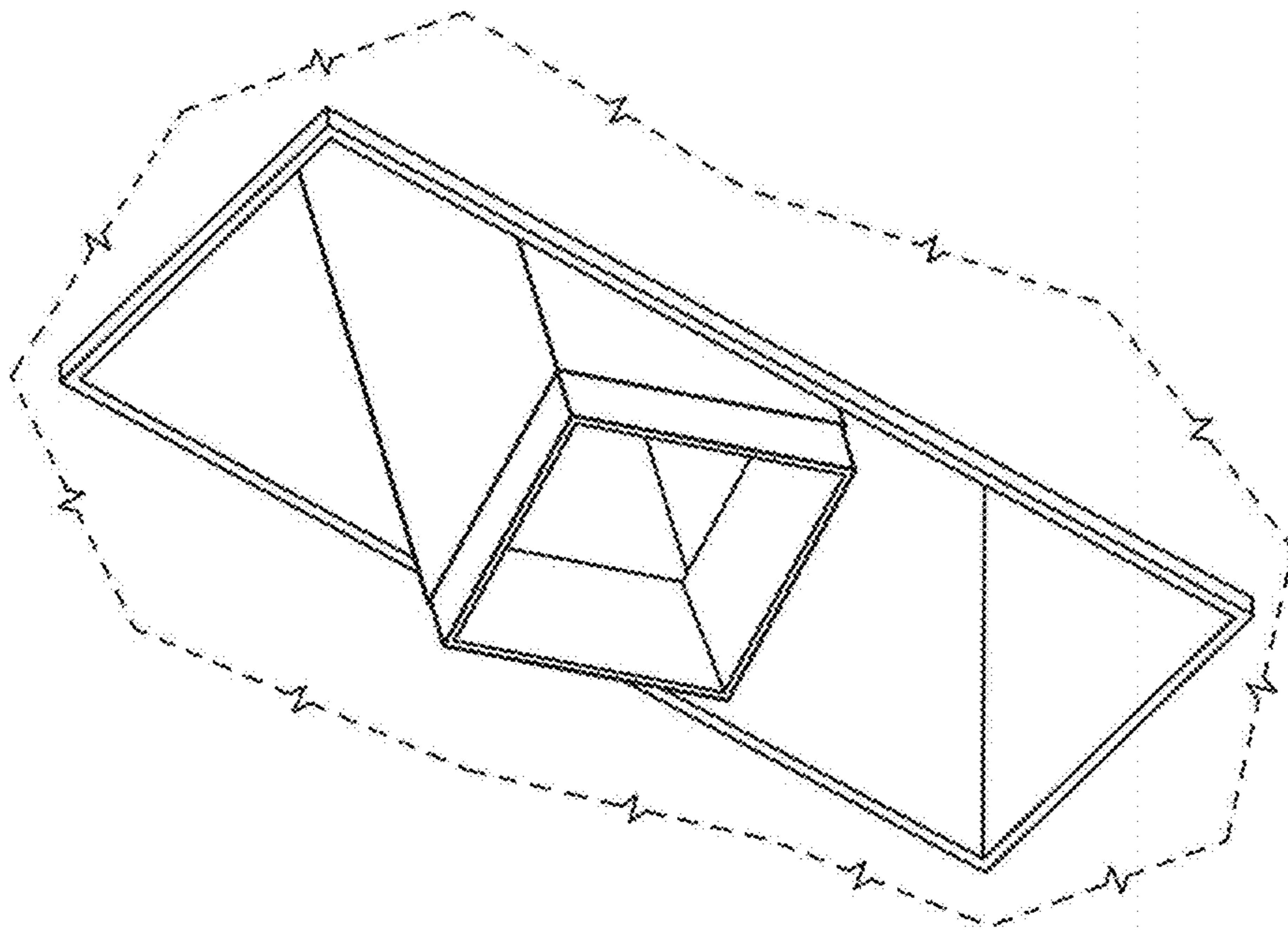


Fig. 4

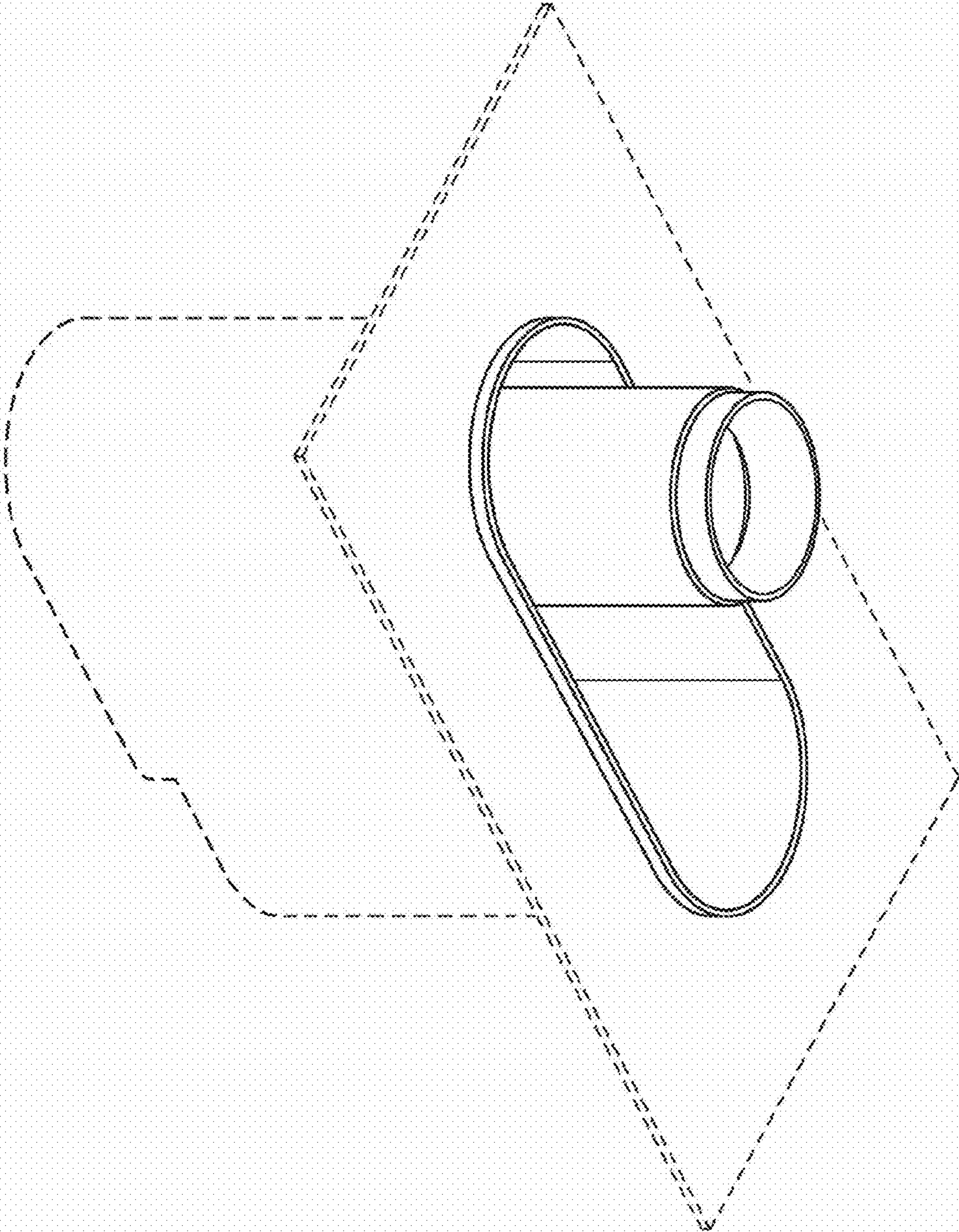


Fig. 5

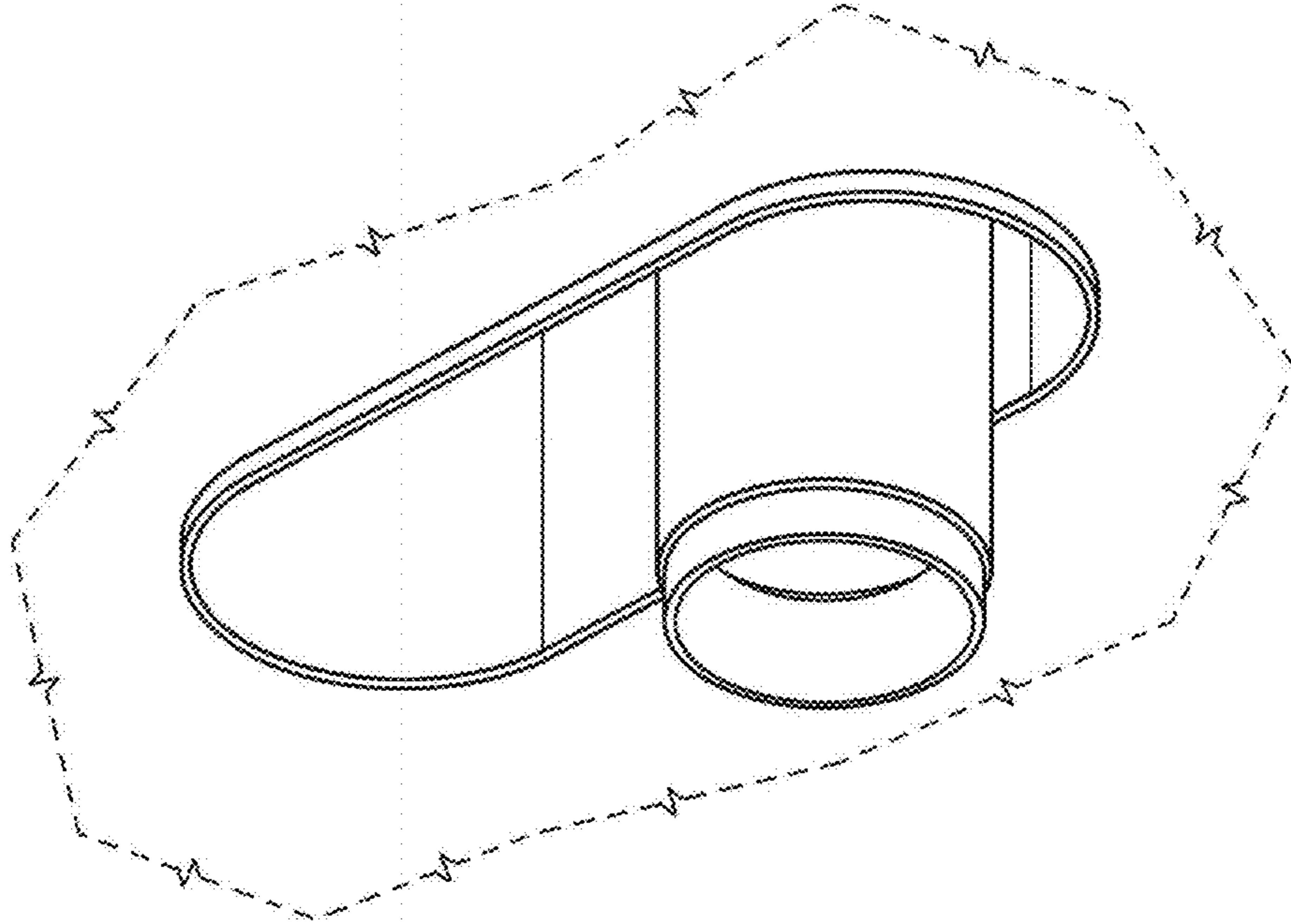


Fig. 6

