



US00D713584S

(12) **United States Design Patent**
Maxik et al.

(10) **Patent No.:** **US D713,584 S**

(45) **Date of Patent:** **** Sep. 16, 2014**

(54) **LOW BAY LUMINAIRE**

(71) Applicant: **Lighting Science Group Corporation,**
Satellite Beach, FL (US)

(72) Inventors: **Fredric S. Maxik,** Indialantic, FL (US);
David E. Bartine, Cocoa, FL (US);
Robert R. Soler, Cocoa Beach, FL (US);
Mark Andrew Oostdyk, Cape
Canaveral, FL (US); **Addy S. Widjaja,**
Palm Bay, FL (US); **Ran Zhou,**
Rockledge, FL (US)

(73) Assignee: **Lighting Science Group Corporation,**
Satellite Beach, FL (US)

(**) Term: **14 Years**

(21) Appl. No.: **29/449,863**

(22) Filed: **Mar. 15, 2013**

(51) **LOC (10) Cl.** **26-05**

(52) **U.S. Cl.**
USPC **D26/72**

(58) **Field of Classification Search**
USPC D26/24, 26, 59, 72, 85, 89, 118, 128,
D26/130, 134–136; 362/147, 350, 404–408,
362/453–456, 373
See application file for complete search history.

(56) **References Cited**

U.S. PATENT DOCUMENTS

D110,164 S *	6/1938	Arenberg	D26/24
D225,370 S *	12/1972	Peasley	D26/85
3,775,606 A *	11/1973	Bazell et al.	362/552
D249,291 S *	9/1978	Pemberton	D26/85
D326,923 S *	6/1992	Yuen	D26/26

D343,015 S *	1/1994	Yuen	D26/26
D343,018 S *	1/1994	Garrity	D26/37
D350,407 S *	9/1994	Yuen	D26/26
D378,617 S *	3/1997	Yuen	D26/26
D469,911 S *	2/2003	Lee	D26/85
D483,503 S *	12/2003	Krieger et al.	D26/26
D576,333 S *	9/2008	Benensohn	D26/72
D604,445 S *	11/2009	Ko et al.	D26/72
7,753,556 B1 *	7/2010	Zhang et al.	362/249.02
D648,479 S *	11/2011	Herman	D26/118
D652,558 S *	1/2012	Lichten et al.	D26/72
D679,856 S *	4/2013	Guercio et al.	D26/118
D684,718 S *	6/2013	Ko	D26/72

* cited by examiner

Primary Examiner — Clare E Heflin

(74) *Attorney, Agent, or Firm* — Mark R. Malek; Zies
Widerman & Malek

(57) **CLAIM**

The ornamental design for a low bay luminaire, as shown and described.

DESCRIPTION

FIG. 1 is a top perspective view of a low bay luminaire according to the present invention.

FIG. 2 is a bottom perspective view of the low bay luminaire illustrated in FIG. 1.

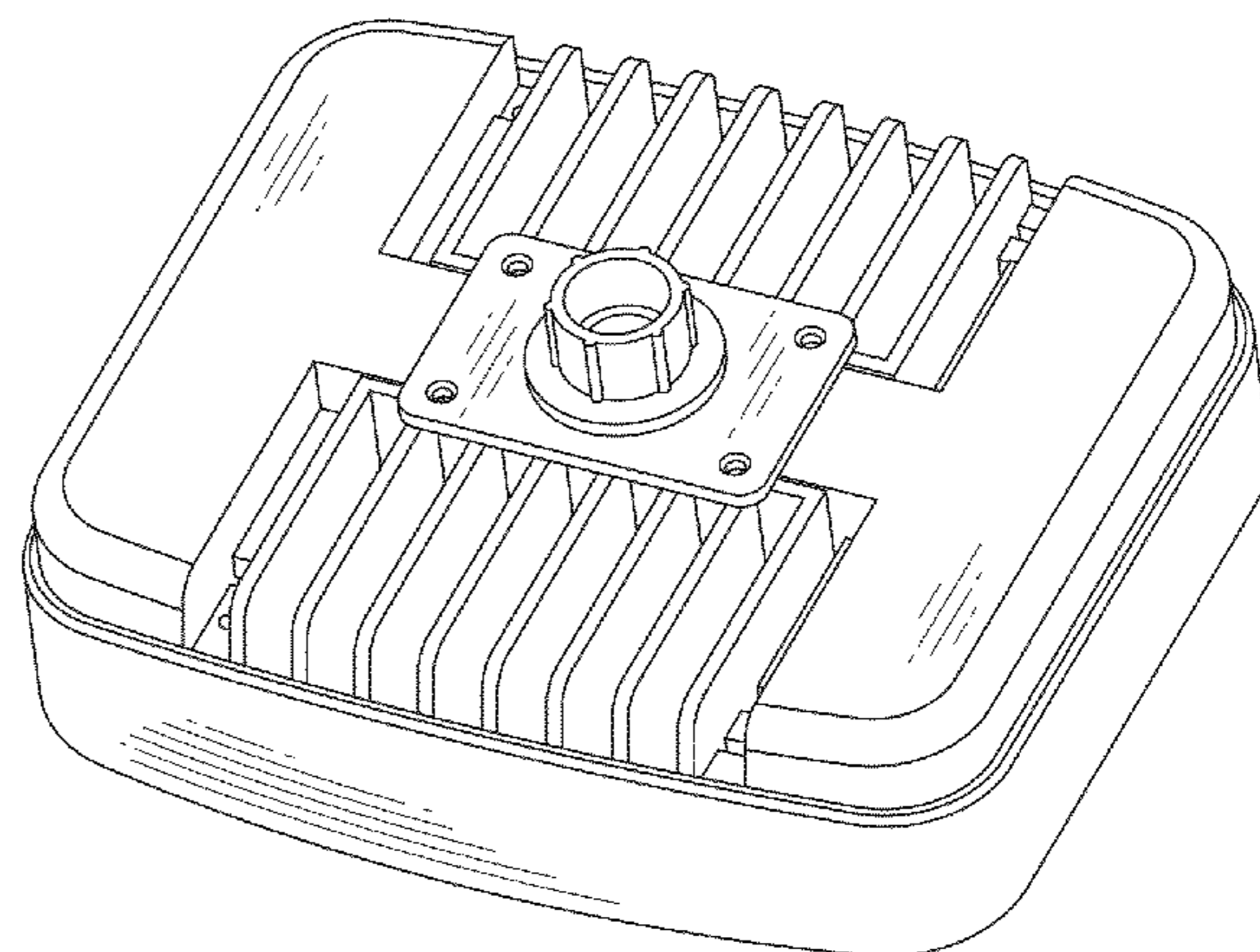
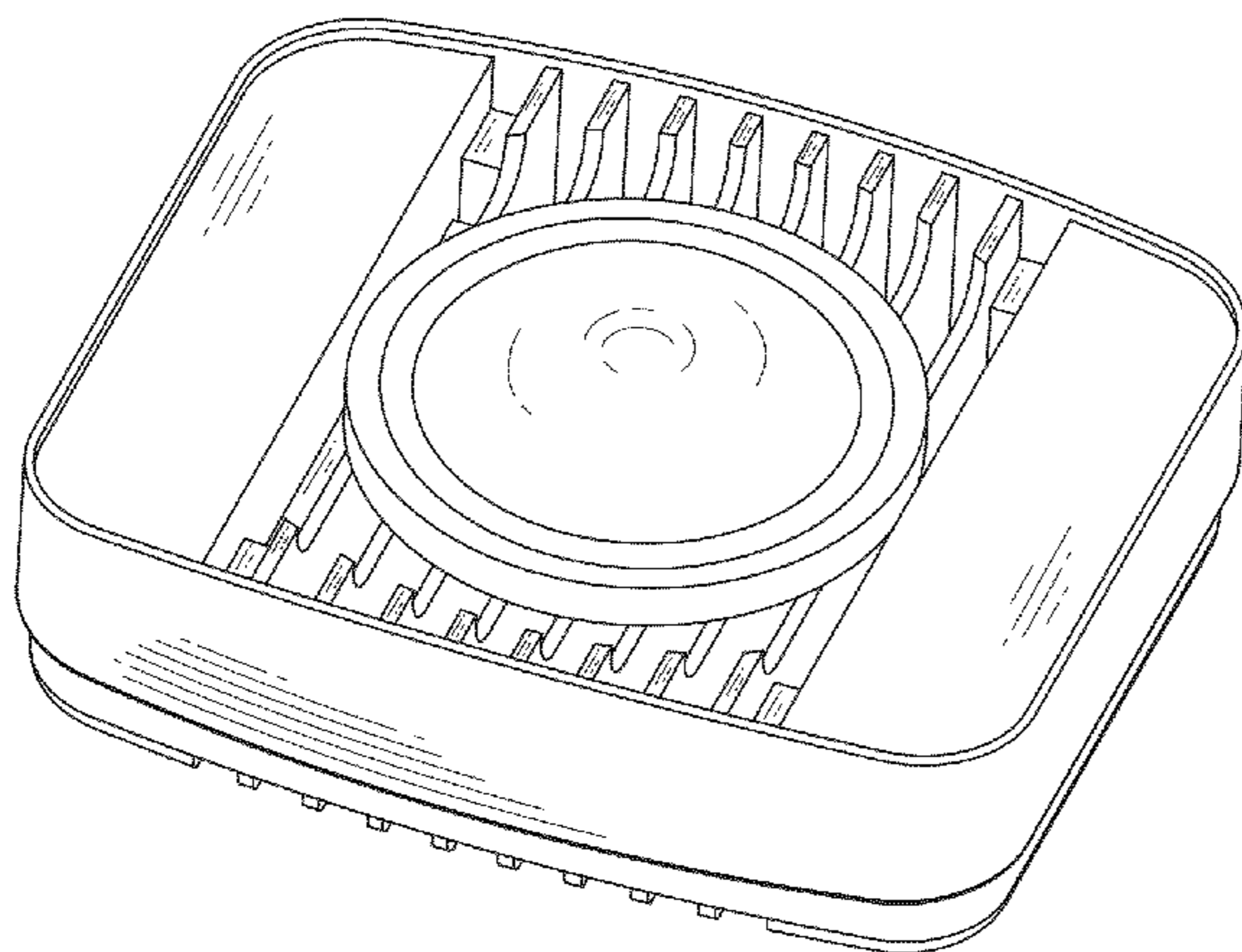
FIG. 3 is a top plan view of the low bay luminaire illustrated in FIG. 1.

FIG. 4 is a side elevation view the low bay luminaire illustrated in FIG. 1.

FIG. 5 is another side elevation view the low bay luminaire illustrated in FIG. 1; and,

FIG. 6 is a bottom plan view the low bay luminaire illustrated in FIG. 1.

1 Claim, 3 Drawing Sheets



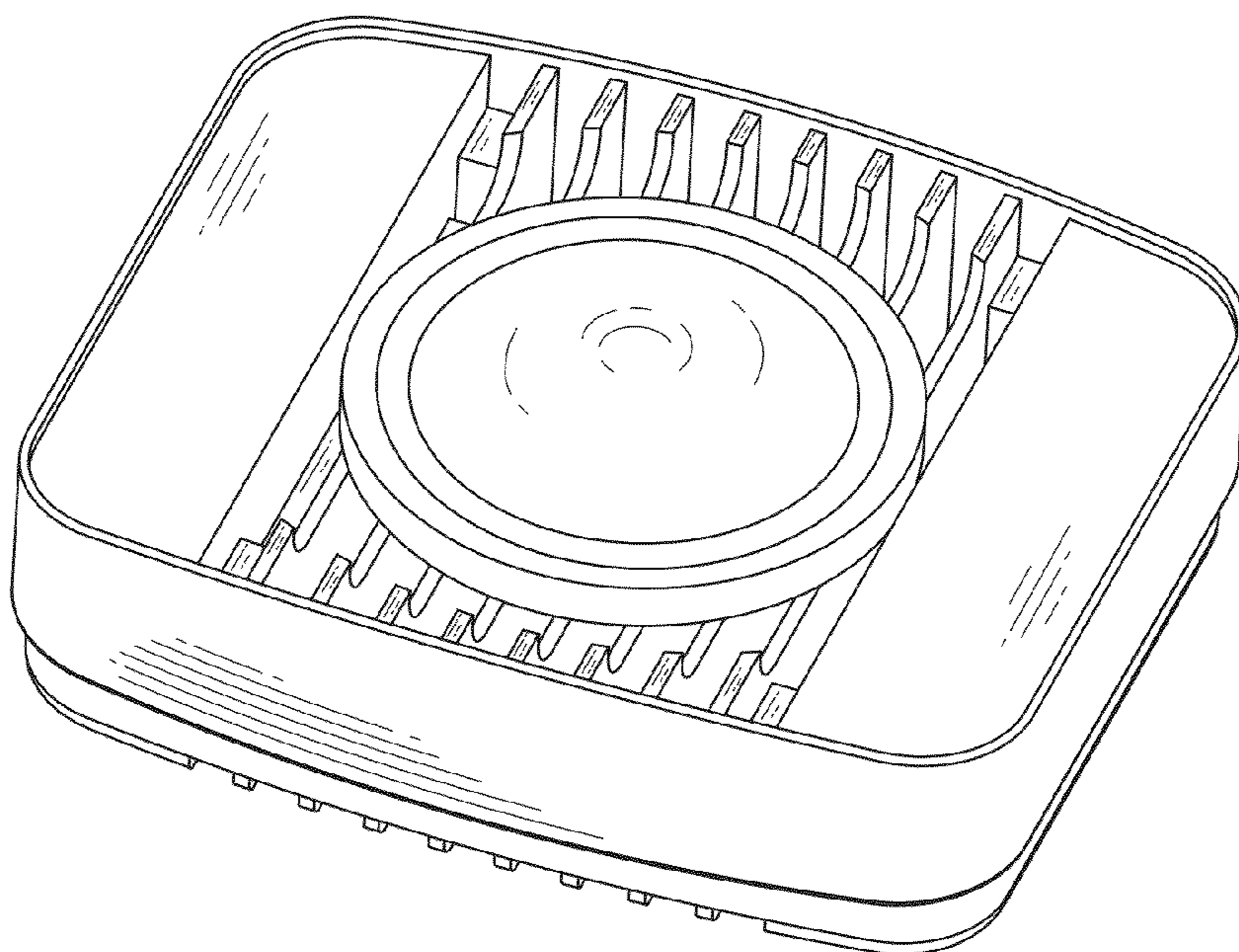


Fig. 1

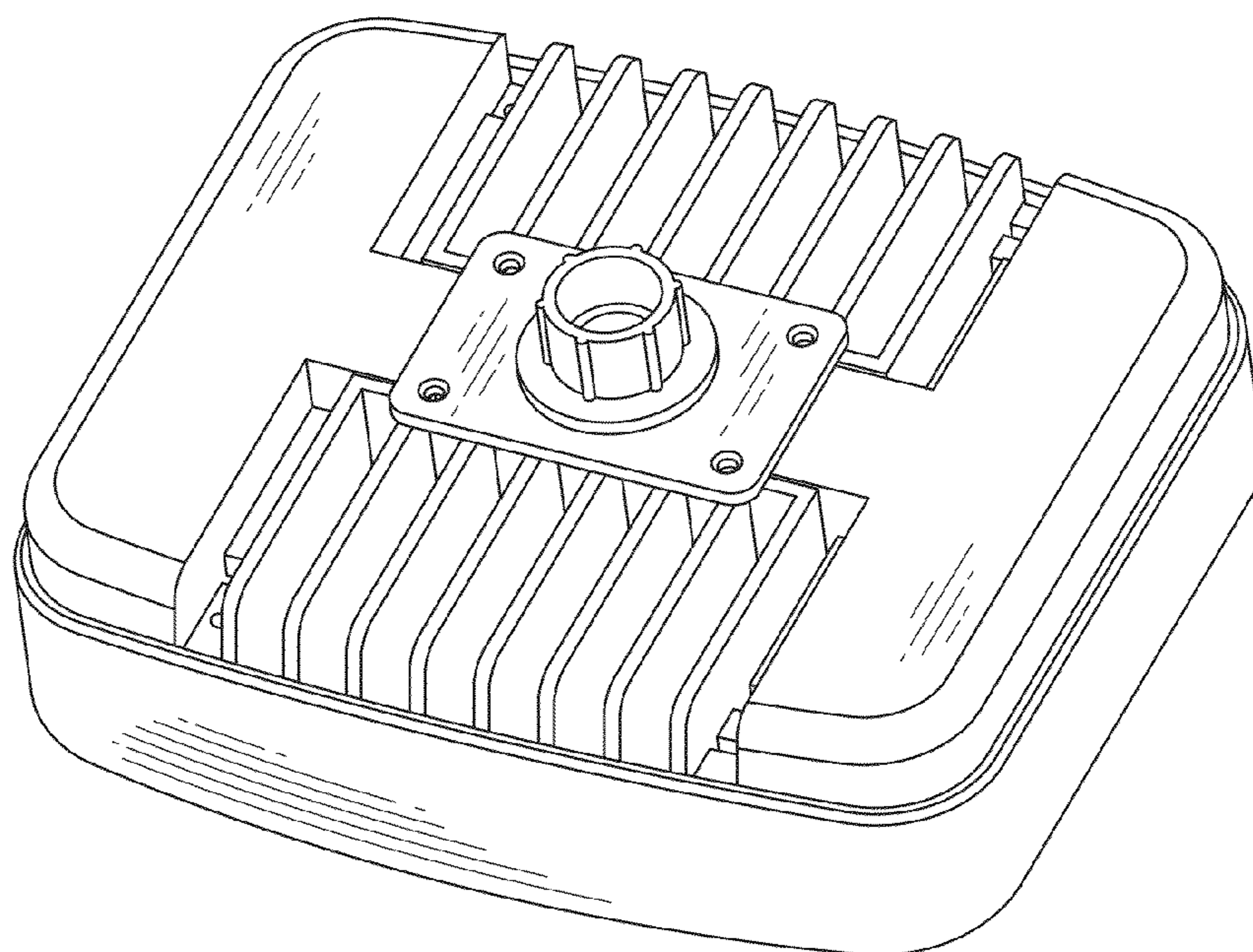


Fig. 2

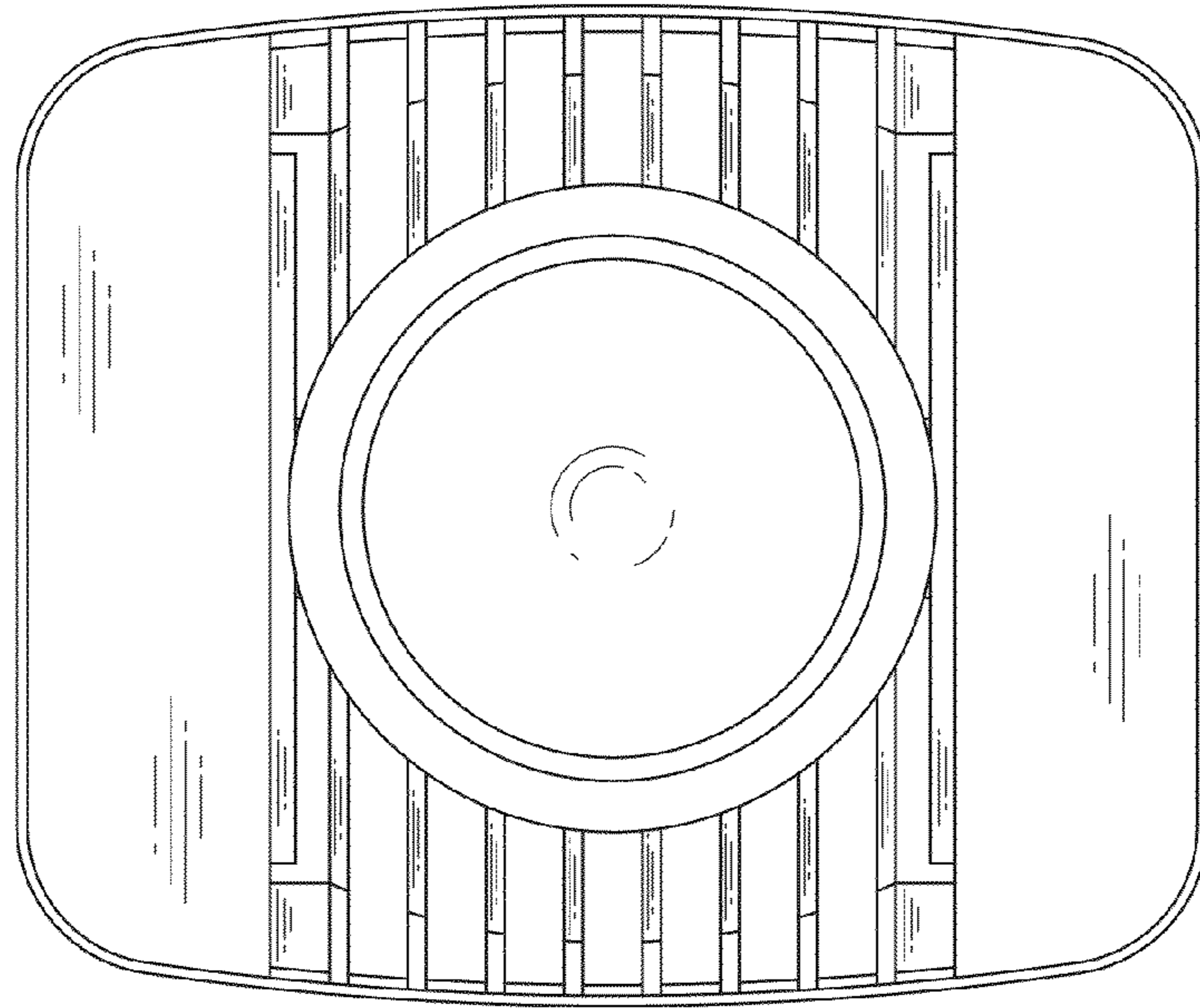


Fig. 3

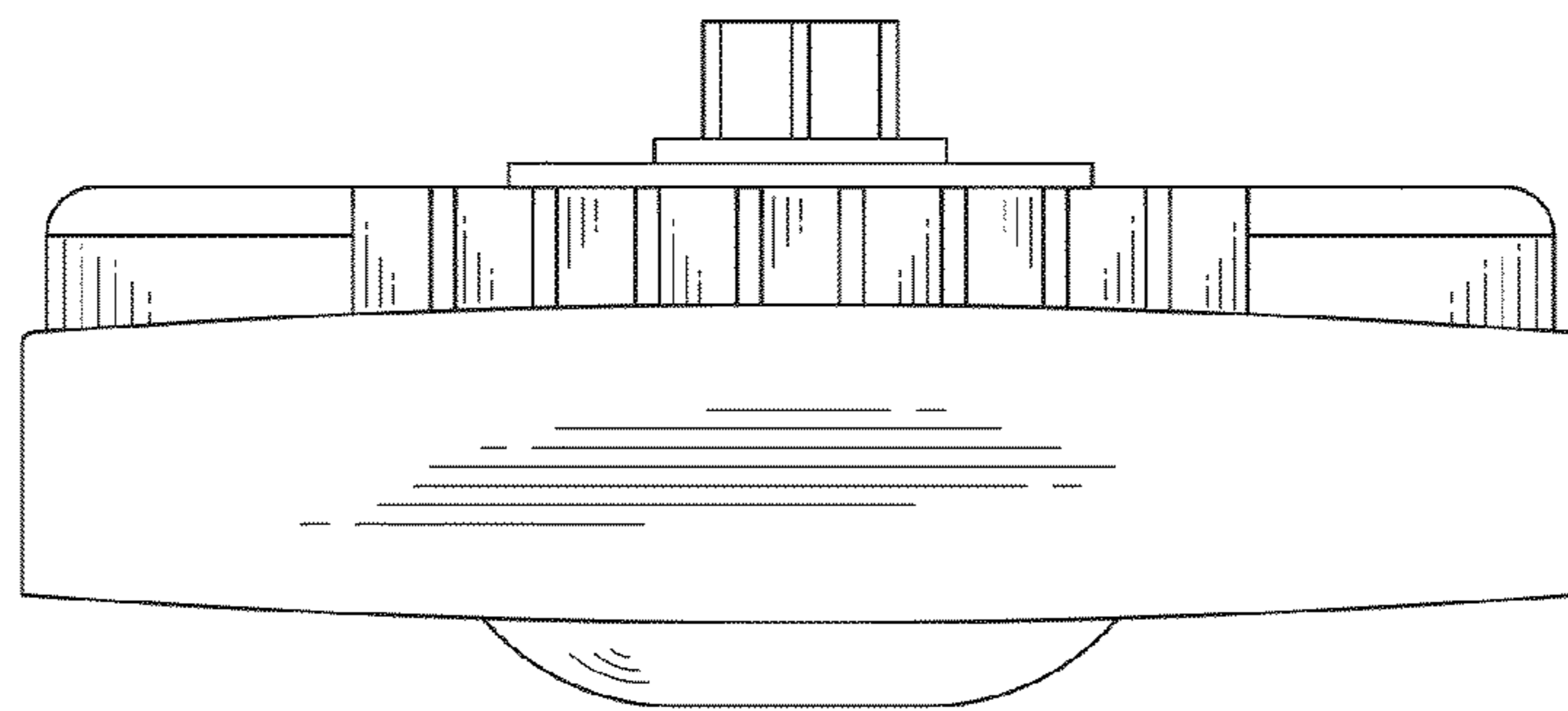


Fig. 4

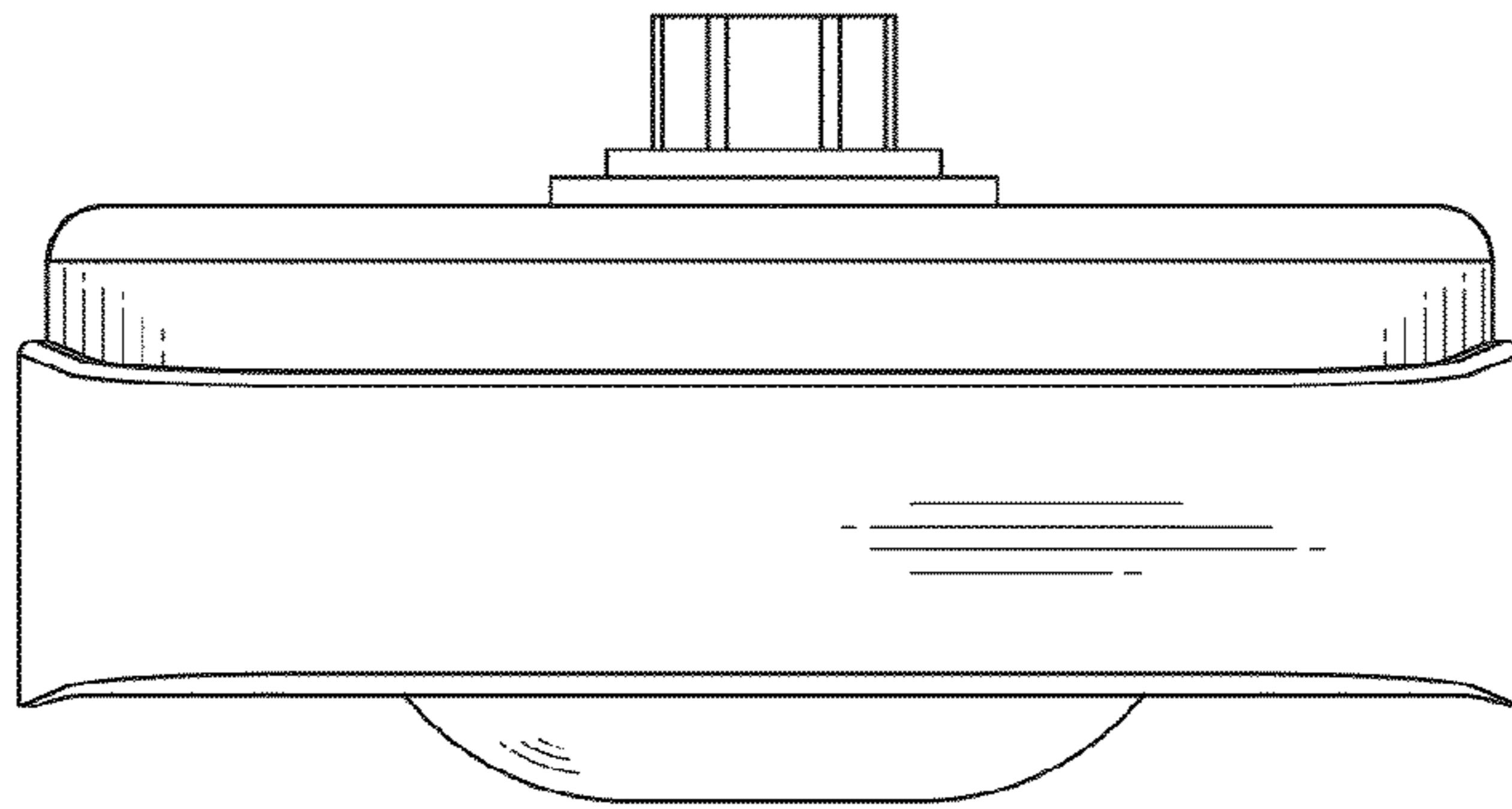


Fig. 5

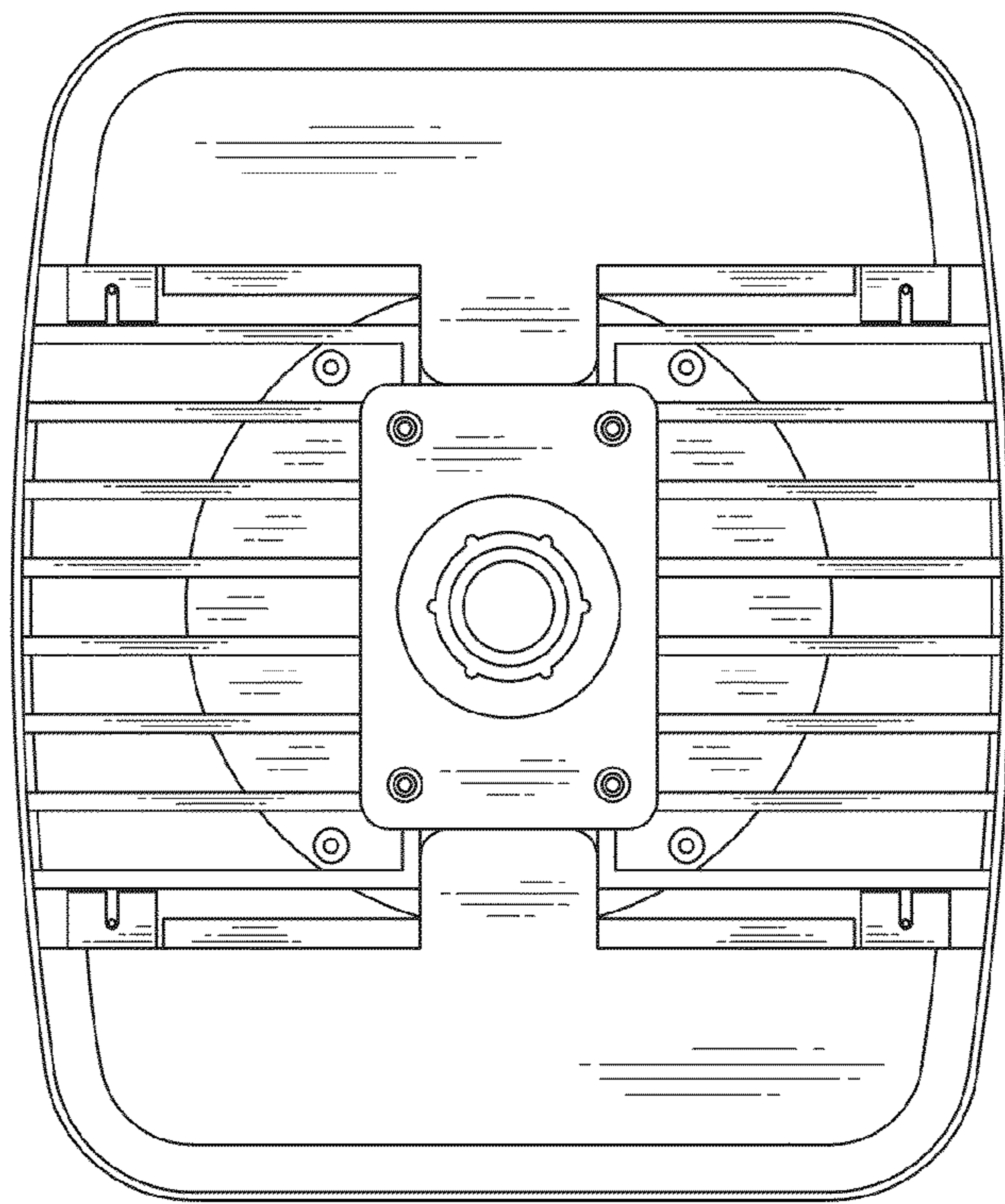


Fig. 6