



US00D713583S

(12) **United States Design Patent**  
**Yu**

(10) **Patent No.:** **US D713,583 S**

(45) **Date of Patent:** **\*\* Sep. 16, 2014**

- (54) **ROADWAY LED LUMINAIRE**
- (71) Applicant: **Chung Han Yu**, City of Industry, CA (US)
- (72) Inventor: **Chung Han Yu**, City of Industry, CA (US)
- (73) Assignee: **Chung Han Yu**, City of Industry, CA (US)

|                |         |                        |            |
|----------------|---------|------------------------|------------|
| D541,463 S *   | 4/2007  | Tortel .....           | D26/71     |
| D609,384 S *   | 2/2010  | Gray et al. ....       | D26/71     |
| D612,090 S *   | 3/2010  | Yu .....               | D26/92     |
| D648,884 S *   | 11/2011 | Tortel .....           | D26/71     |
| D662,243 S *   | 6/2012  | Sinai et al. ....      | D26/71     |
| D673,318 S *   | 12/2012 | Lane et al. ....       | D26/71     |
| D676,175 S *   | 2/2013  | Akinrele et al. ....   | D26/71     |
| D688,404 S *   | 8/2013  | Boissevain et al. .... | D26/71     |
| D693,512 S *   | 11/2013 | Larsen et al. ....     | D26/71     |
| 8,579,469 B2 * | 11/2013 | Kong et al. ....       | 362/249.02 |
| D695,437 S *   | 12/2013 | Johnson et al. ....    | D26/71     |

(\*\*) Term: **14 Years**

(21) Appl. No.: **29/463,956**

(22) Filed: **Apr. 14, 2014**

(51) **LOC (10) Cl.** ..... **26-03**

(52) **U.S. Cl.**  
USPC ..... **D26/71**

(58) **Field of Classification Search**  
USPC ..... D26/69-72, 87, 92, 118;  
362/249.01-249.06, 294, 373, 431,  
362/432

See application file for complete search history.

(56) **References Cited**

**U.S. PATENT DOCUMENTS**

|              |        |                        |        |
|--------------|--------|------------------------|--------|
| D442,313 S * | 5/2001 | Wojtkowiak et al. .... | D26/71 |
| D500,569 S * | 1/2005 | Butler .....           | D26/71 |

\* cited by examiner

*Primary Examiner* — Clare E Heflin

(57) **CLAIM**

The ornamental design for a roadway LED luminaire, as shown and described.

**DESCRIPTION**

FIG. 1 is a top, front perspective view of the roadway LED luminaire showing my new design; FIG. 2 is a front elevation thereof; FIG. 3 is a rear elevation thereof; FIG. 4 is a side elevation thereof; FIG. 5 is an opposite side elevation view thereof; FIG. 6 is a top plan view thereof; and, FIG. 7 is a bottom plan view thereof.

The broken lines shown on the drawings depict portions of the roadway LED luminaire that form no part of the claimed design.

**1 Claim, 5 Drawing Sheets**

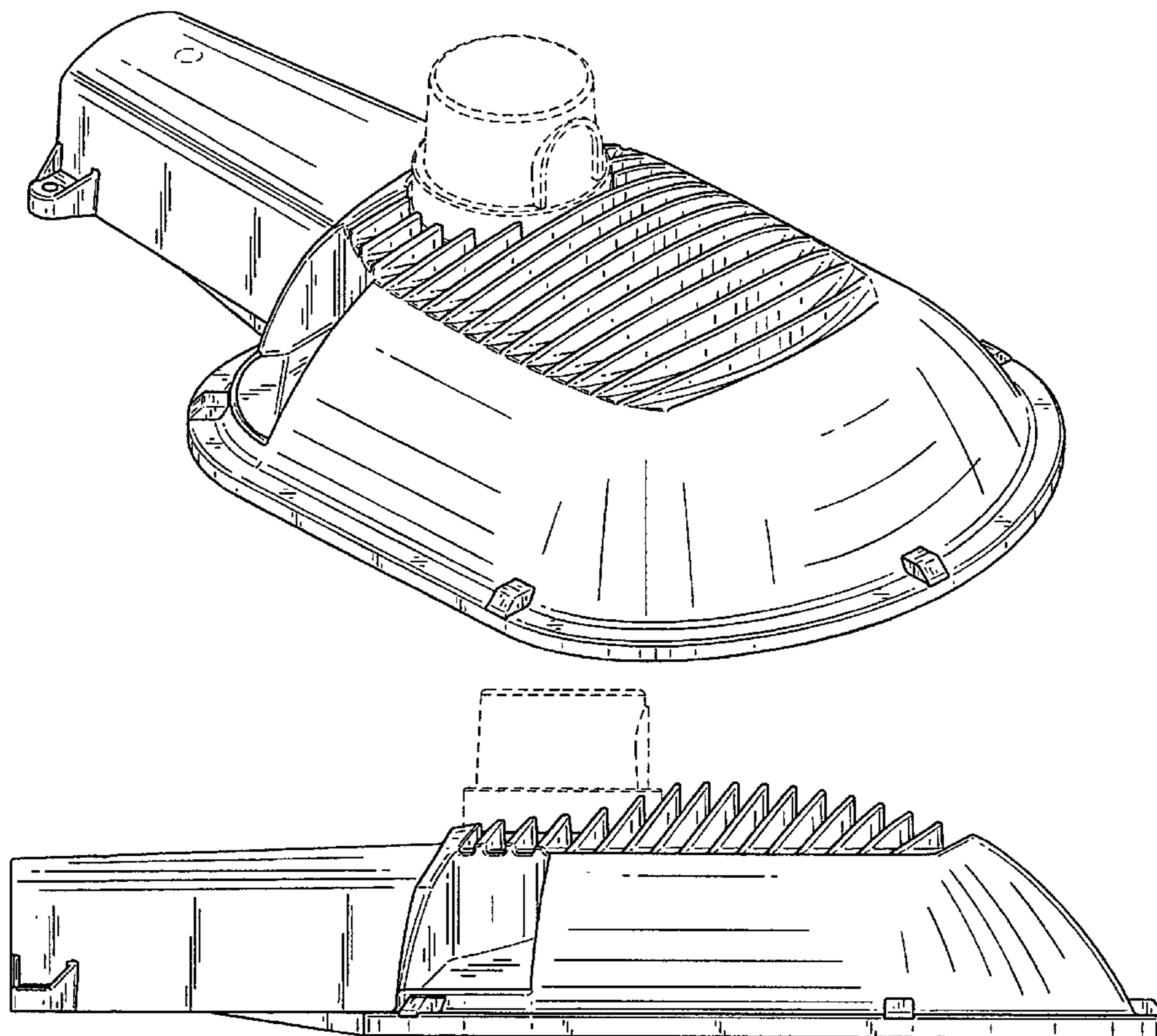
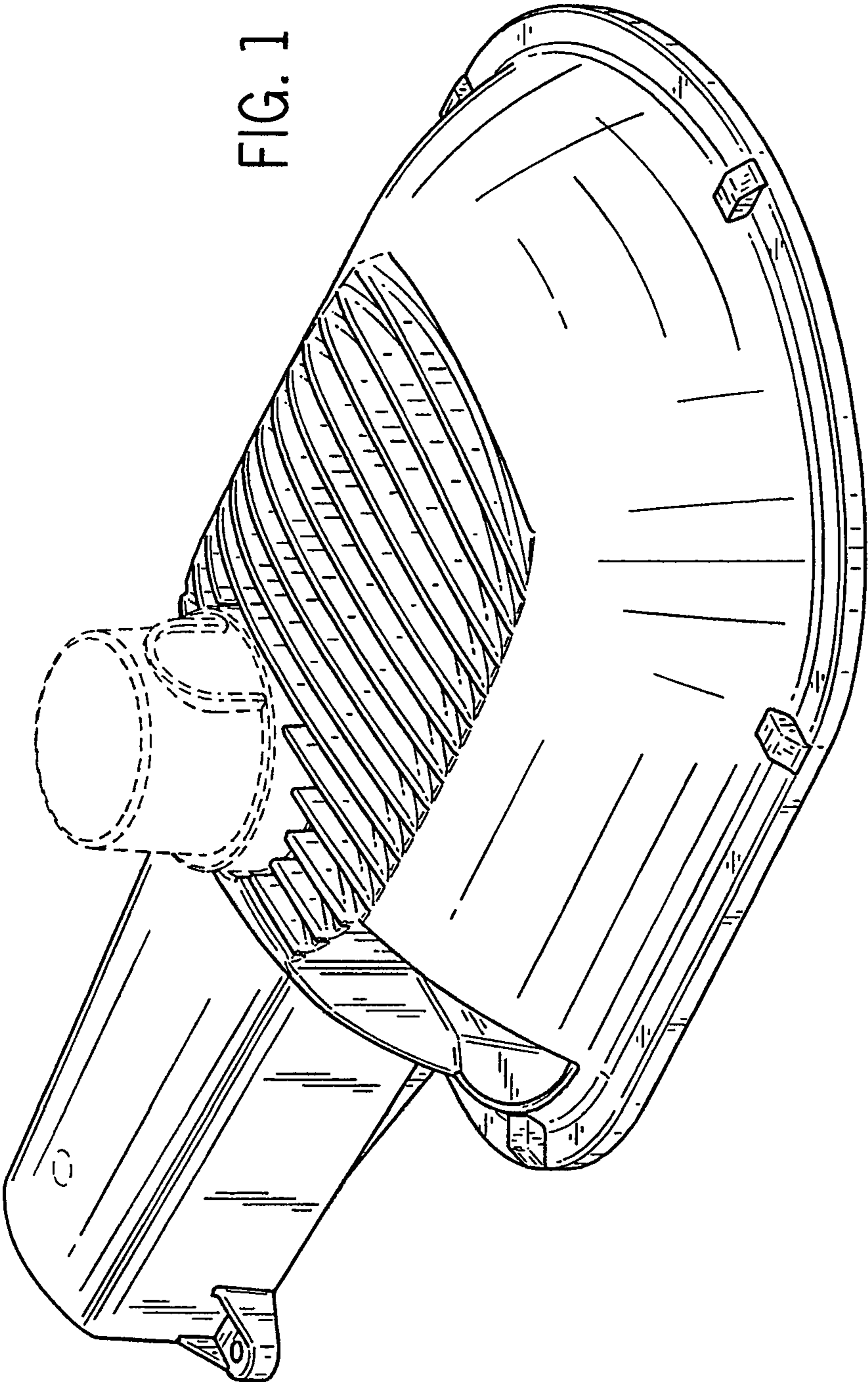


FIG. 1



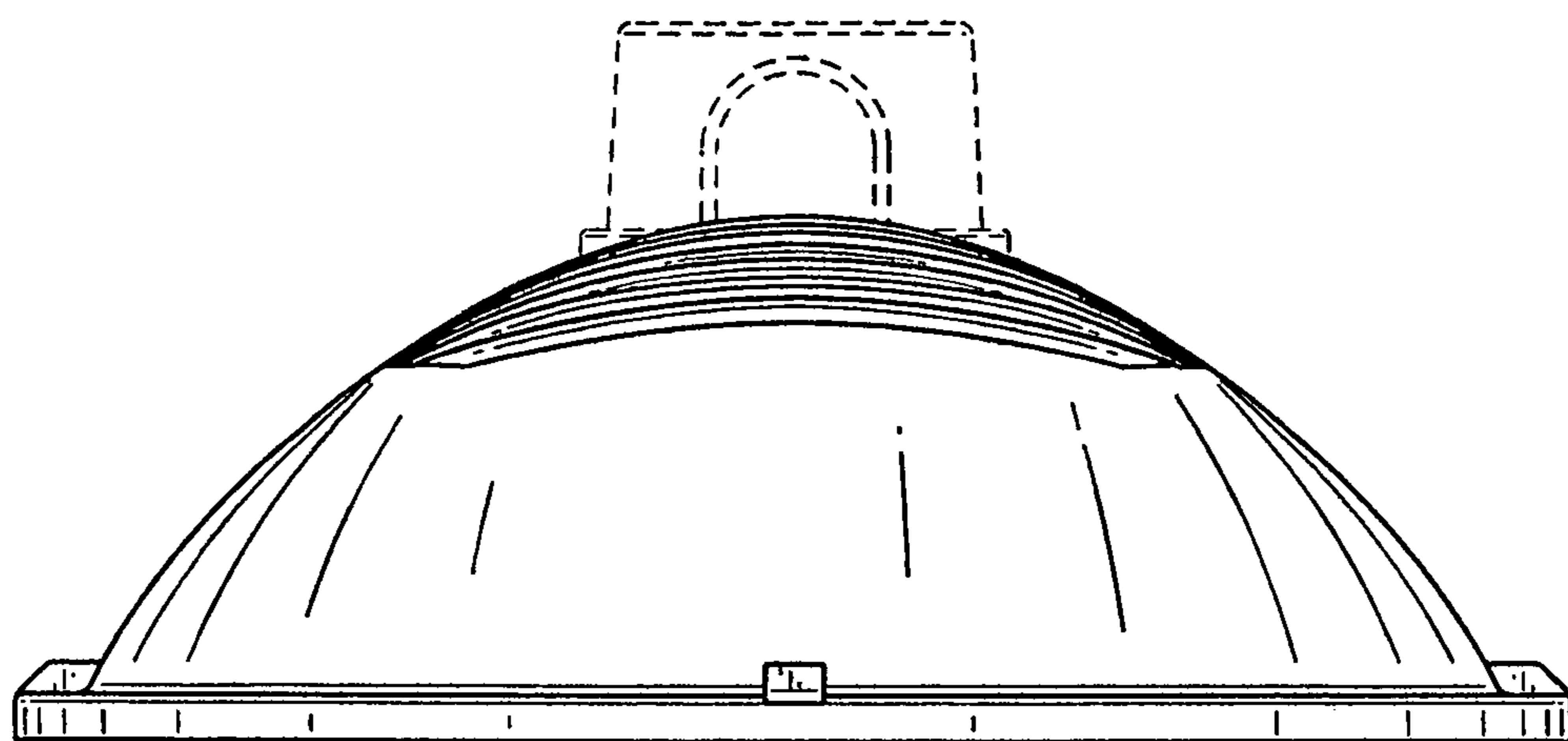


FIG. 2

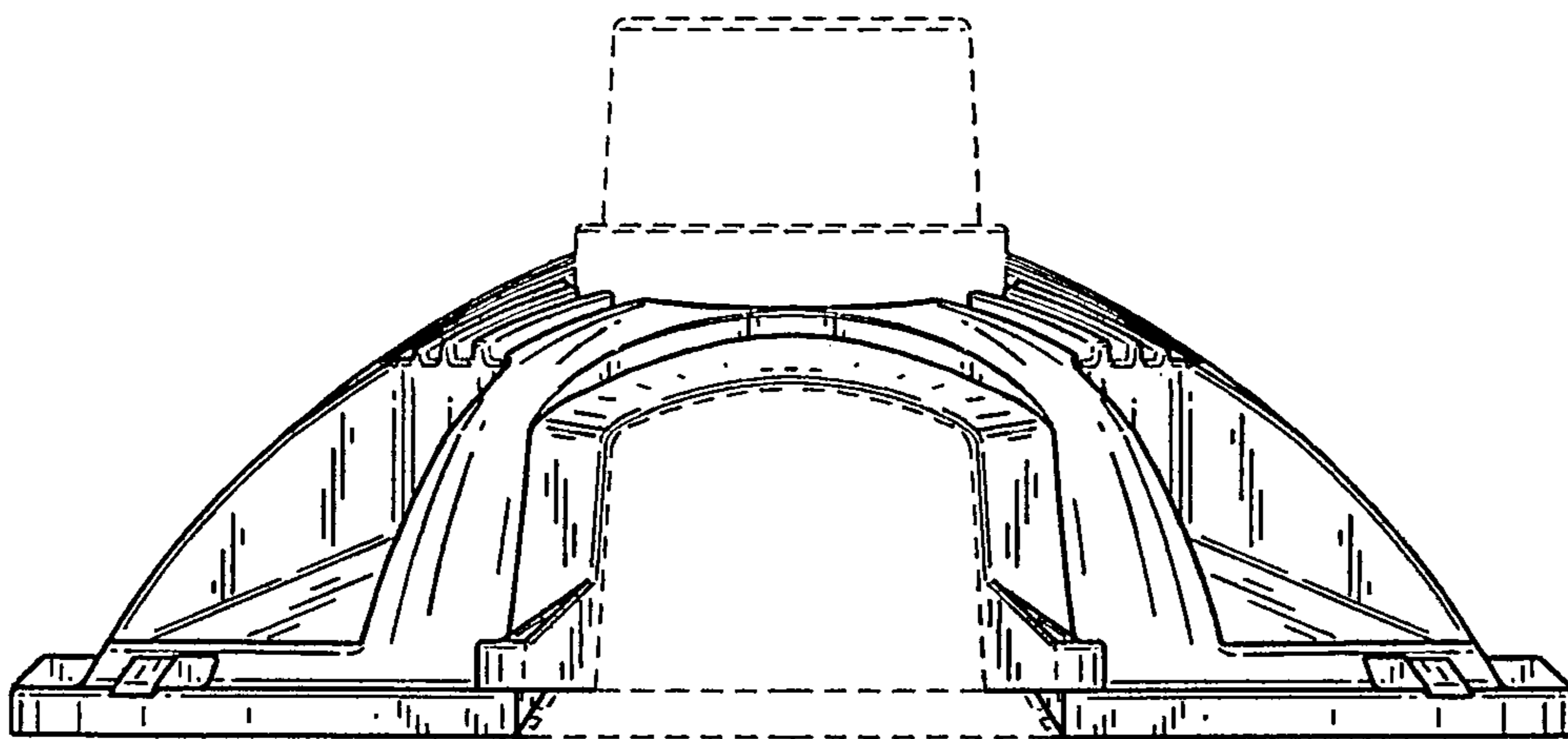


FIG. 3



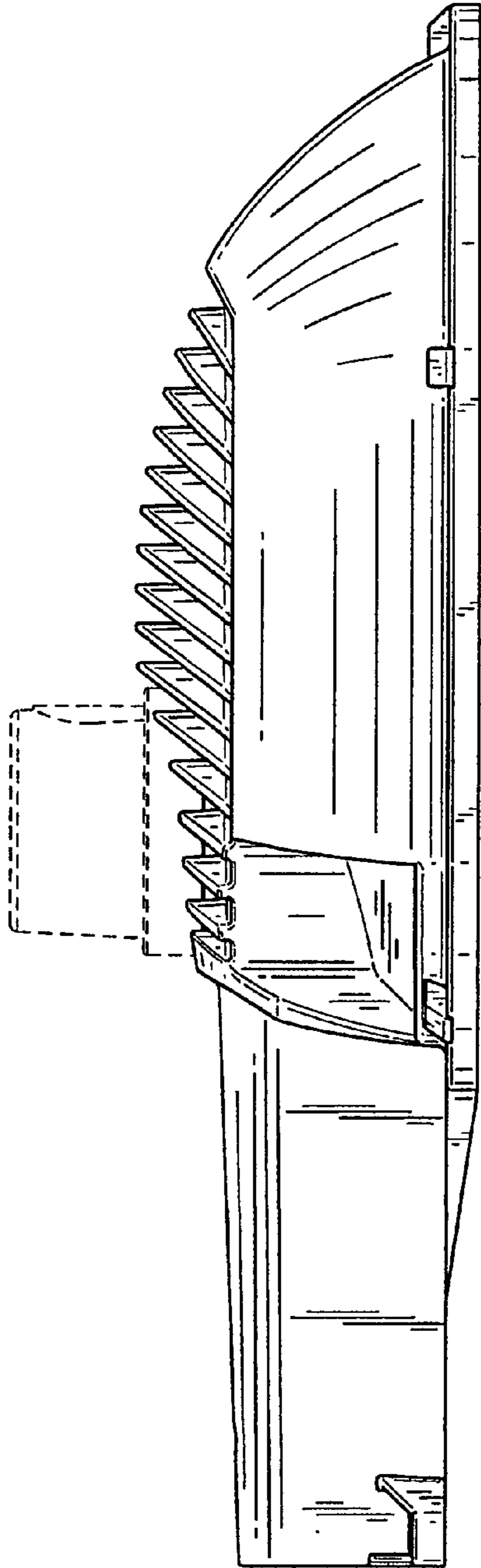


FIG. 4

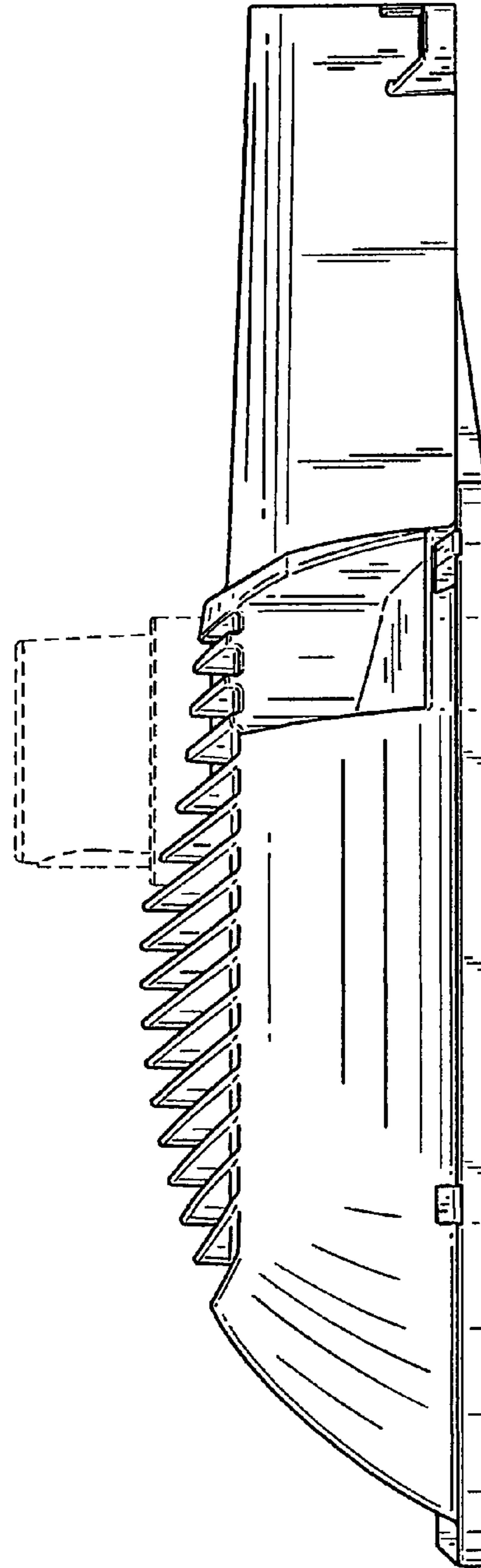


FIG. 5

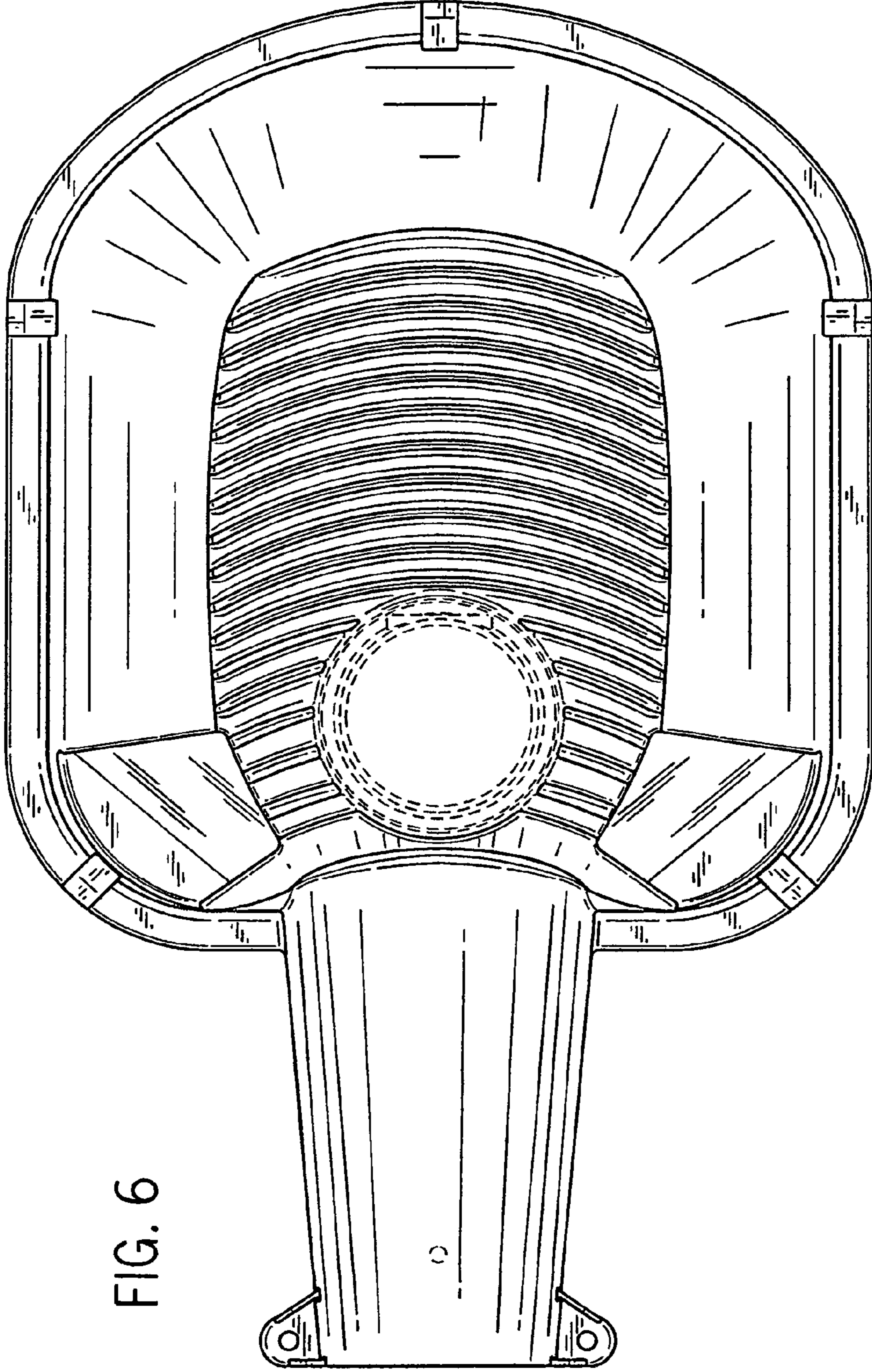


FIG. 6

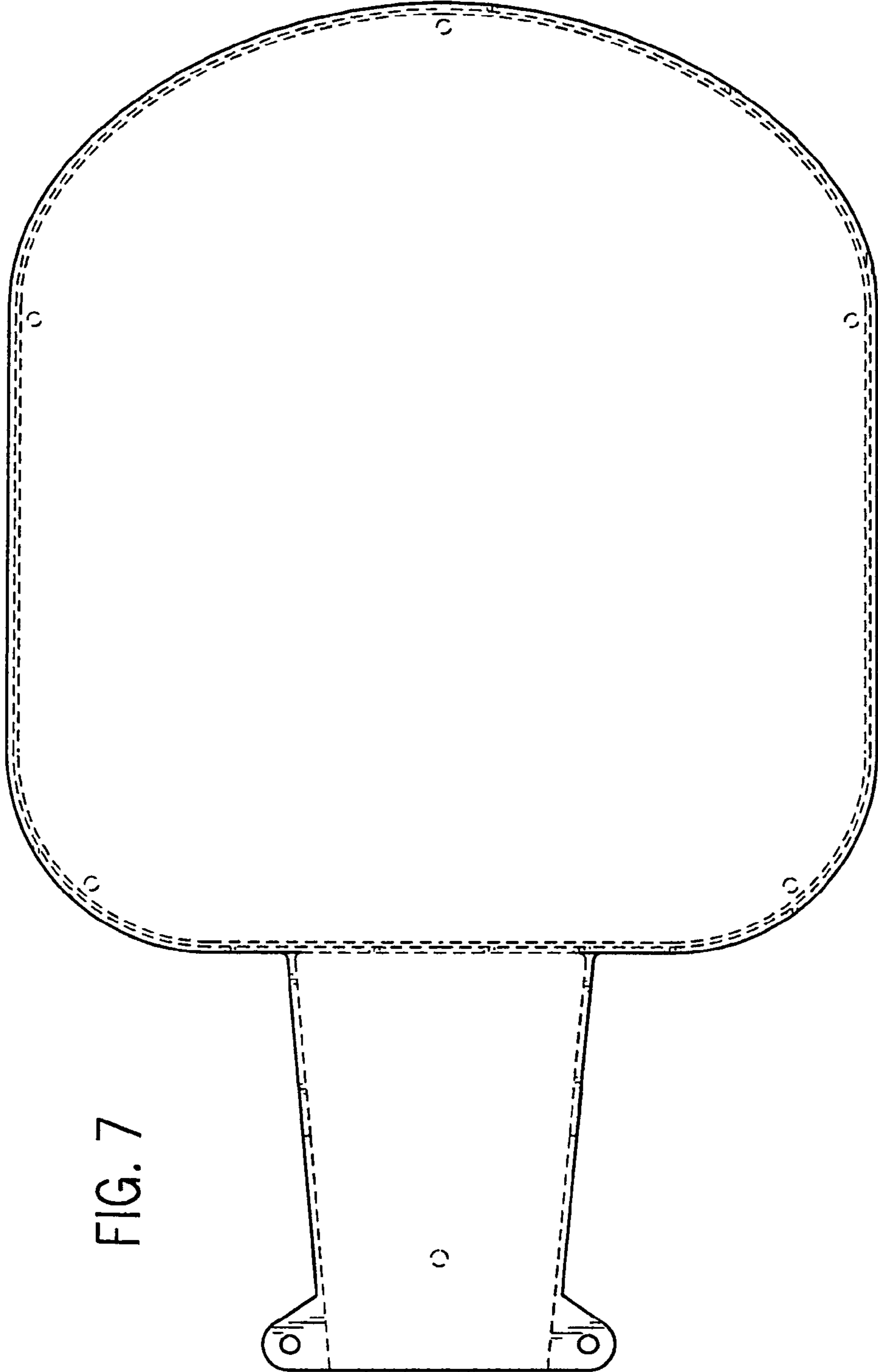


FIG. 7