



US00D713582S

(12) **United States Design Patent**
Liang

(10) **Patent No.:** **US D713,582 S**

(45) **Date of Patent:** **** Sep. 16, 2014**

(54) **SOLAR POWERED LAMPS**

(71) Applicant: **Qinghui Liang**, Fujian Province (CN)

(72) Inventor: **Qinghui Liang**, Fujian Province (CN)

(**) Term: **14 Years**

(21) Appl. No.: **29/446,713**

(22) Filed: **Feb. 27, 2013**

(51) **LOC (10) Cl.** **26-05**

(52) **U.S. Cl.**
USPC **D26/63**

(58) **Field of Classification Search**

CPC F21S 8/04; F21S 8/00; F21V 21/00;
F21V 17/02; F21V 14/02; F21V 21/30;
F21V 21/14; F21V 21/26; F21W 2131/10
USPC D26/24, 51, 61, 63, 65, 72, 80;
362/398, 421, 418, 287, 370, 372, 394,
362/427, 430, 419, 276

See application file for complete search history.

(56) **References Cited**

U.S. PATENT DOCUMENTS

5,258,899 A * 11/1993 Chen 362/421
5,335,159 A * 8/1994 Chen et al. 362/421

5,381,323 A * 1/1995 Osteen et al. 362/421
D360,960 S * 8/1995 Wedell et al. D26/63
5,649,761 A * 7/1997 Sandell et al. 362/421
D392,066 S * 3/1998 Morrow et al. D26/65
D453,387 S * 2/2002 Leen D26/65
D517,714 S * 3/2006 Monroe et al. D26/65
D628,329 S * 11/2010 Tuli D26/63
8,608,353 B2 * 12/2013 Girard 362/398

* cited by examiner

Primary Examiner — Brian N Vinson

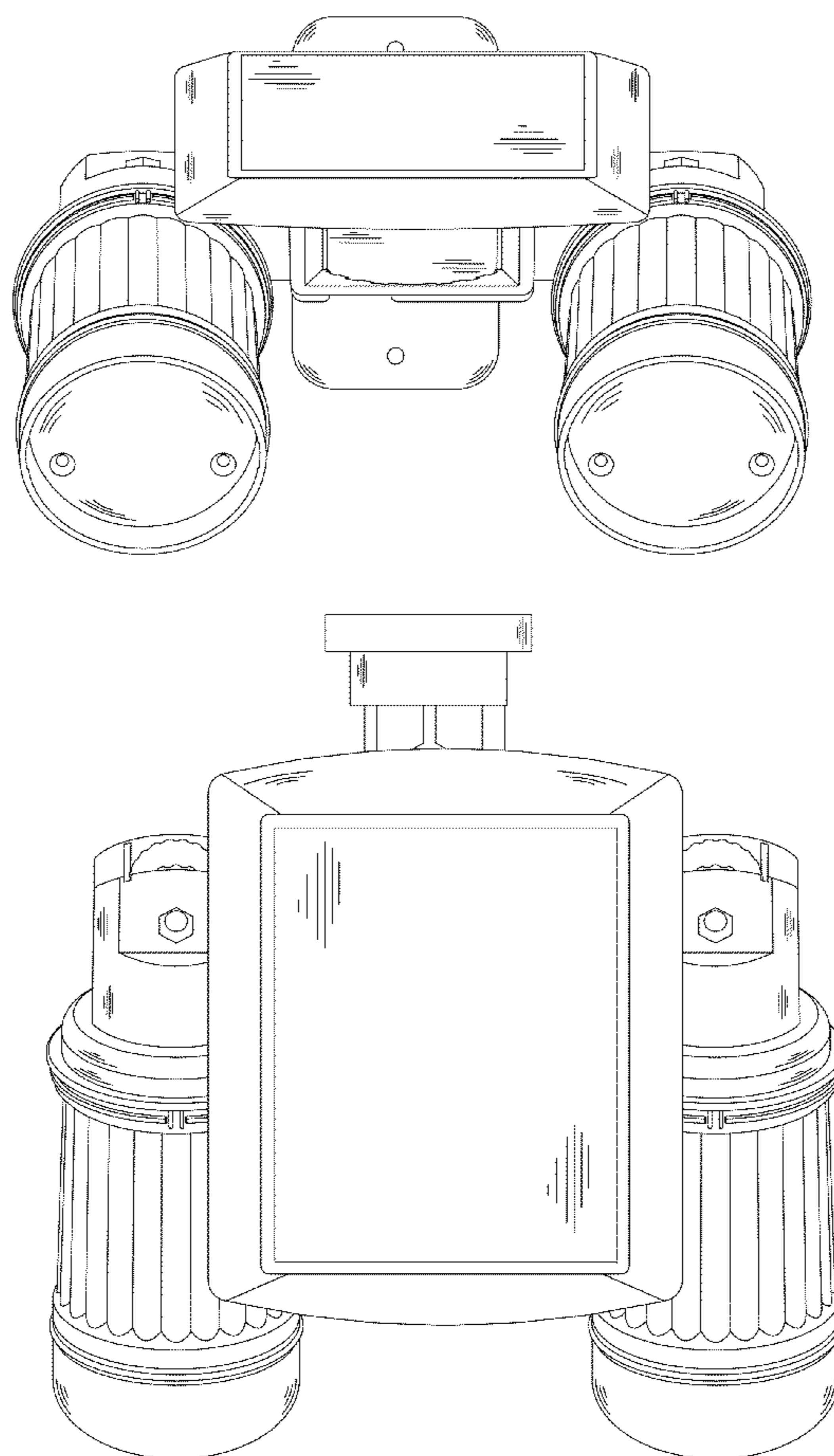
(57) **CLAIM**

The ornamental design for solar powered lamps, as shown and described.

DESCRIPTION

FIG. 1 is a front elevational view of solar powered lamps showing my new design;
FIG. 2 is a rear elevational view thereof;
FIG. 3 is a left side view thereof;
FIG. 4 is a right side view thereof;
FIG. 5 is a top plan view thereof; and,
FIG. 6 is a bottom plan view thereof.
The dotted lines shown in FIG. 6 form no part of the claimed design.

1 Claim, 4 Drawing Sheets



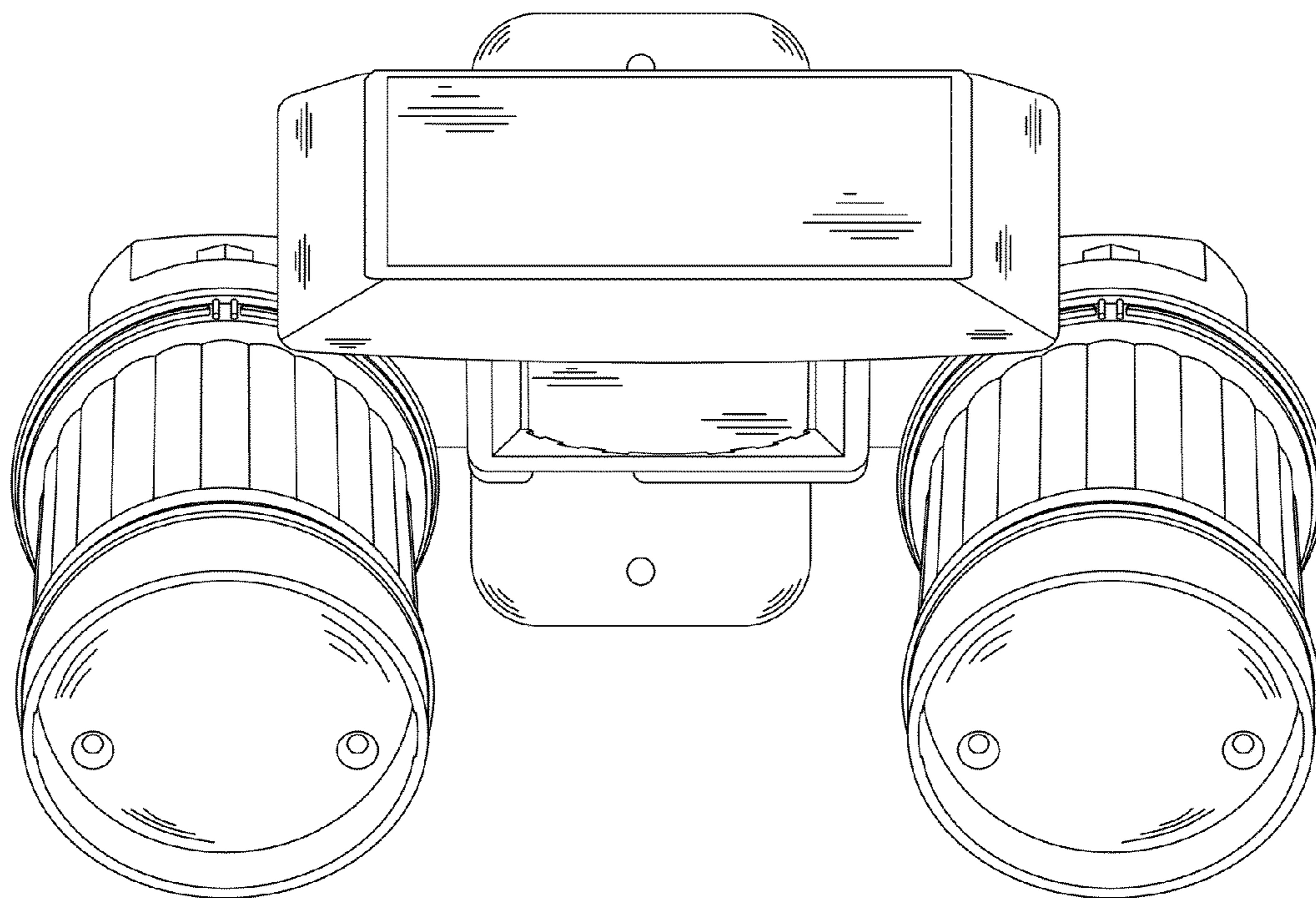


FIG. 1

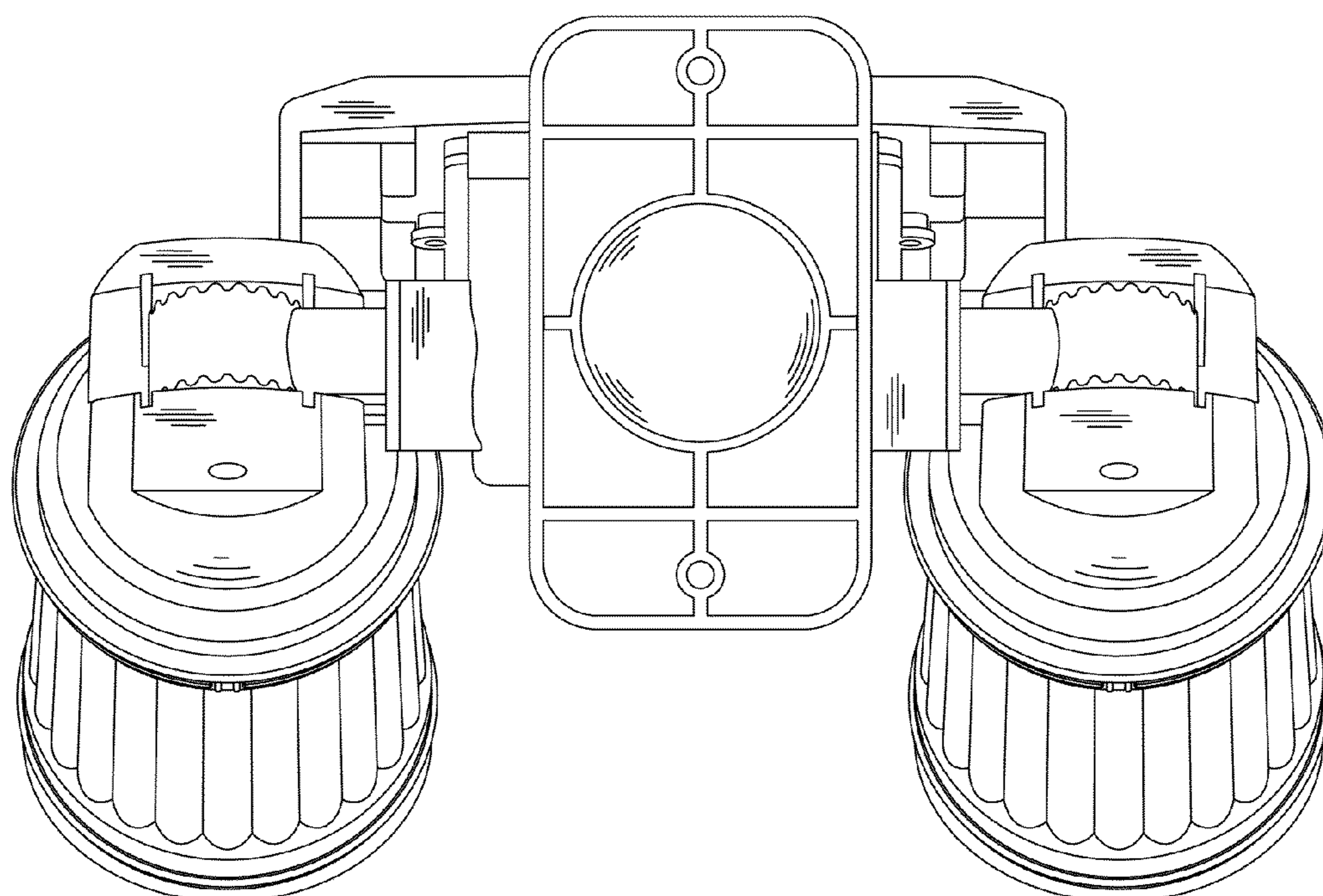


FIG. 2

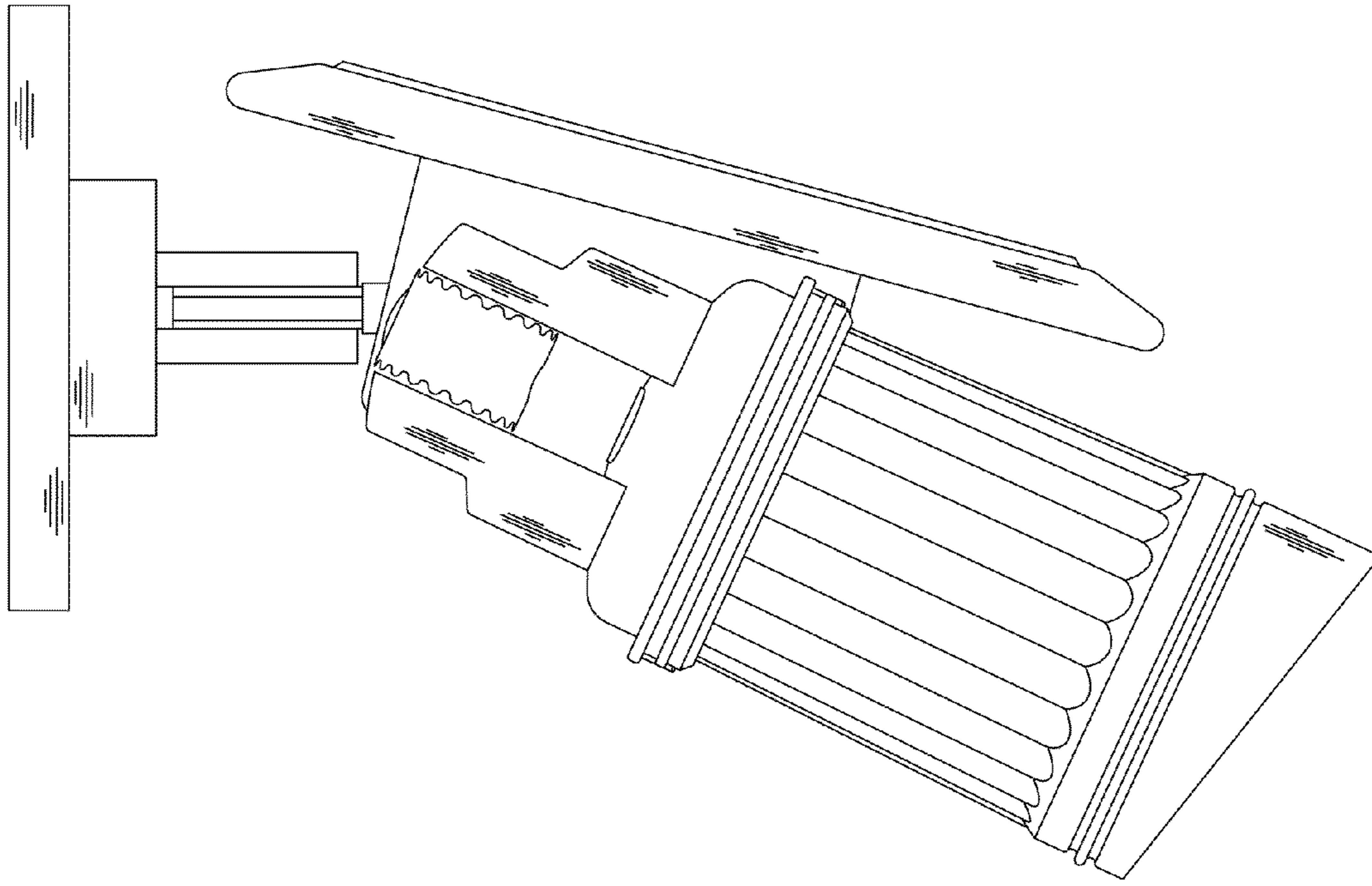


FIG. 3

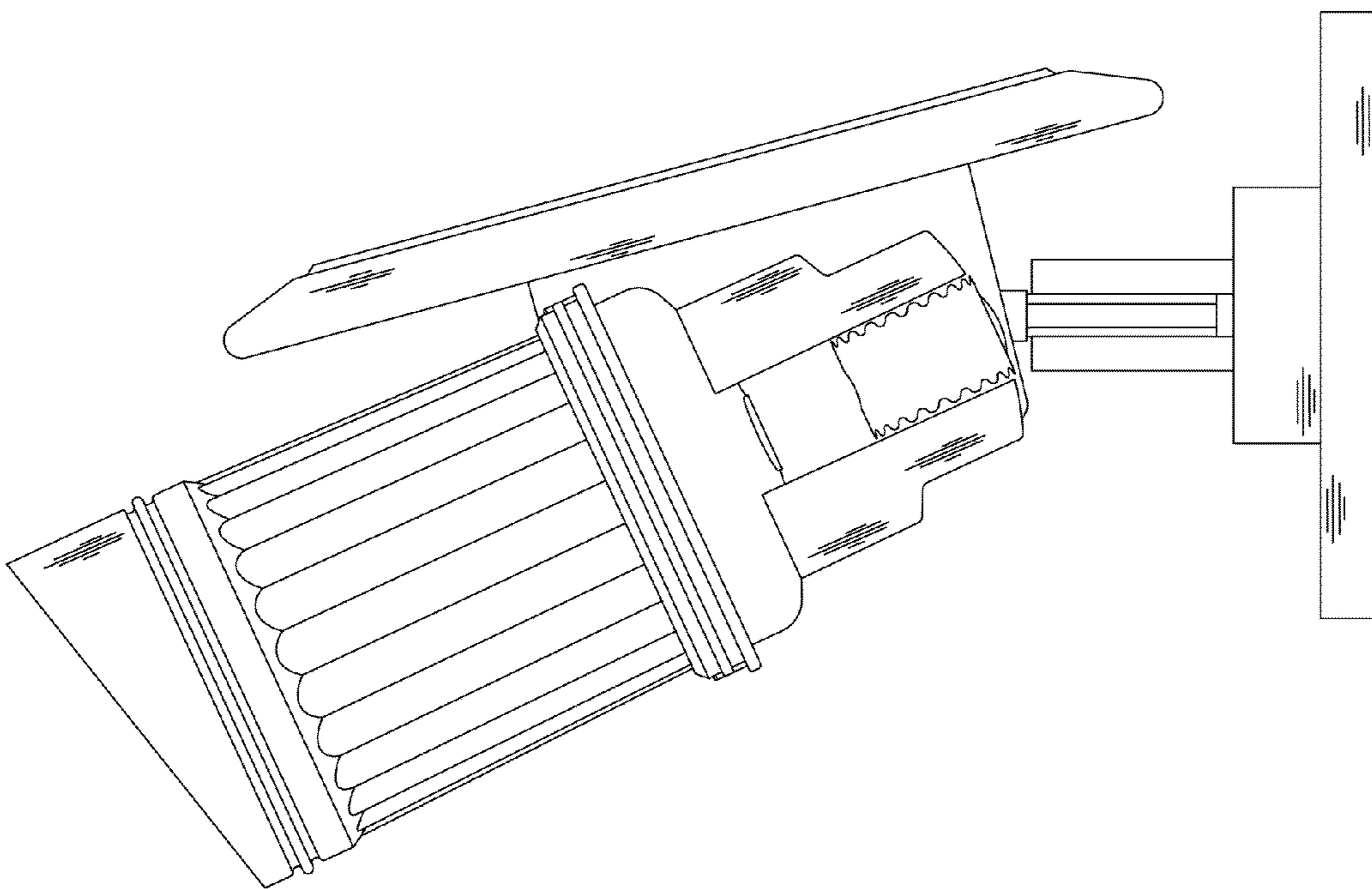


FIG. 4

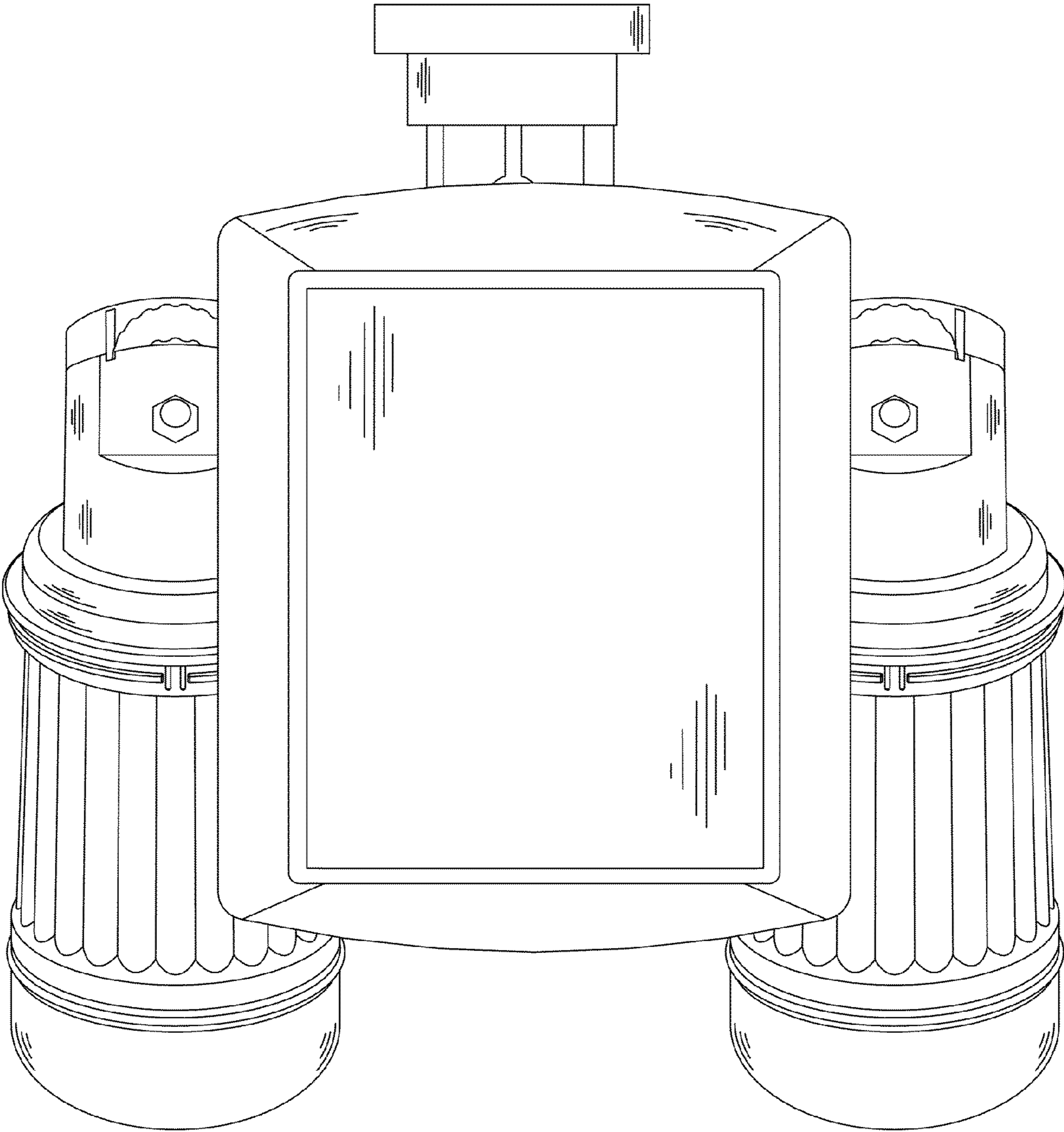


FIG. 5

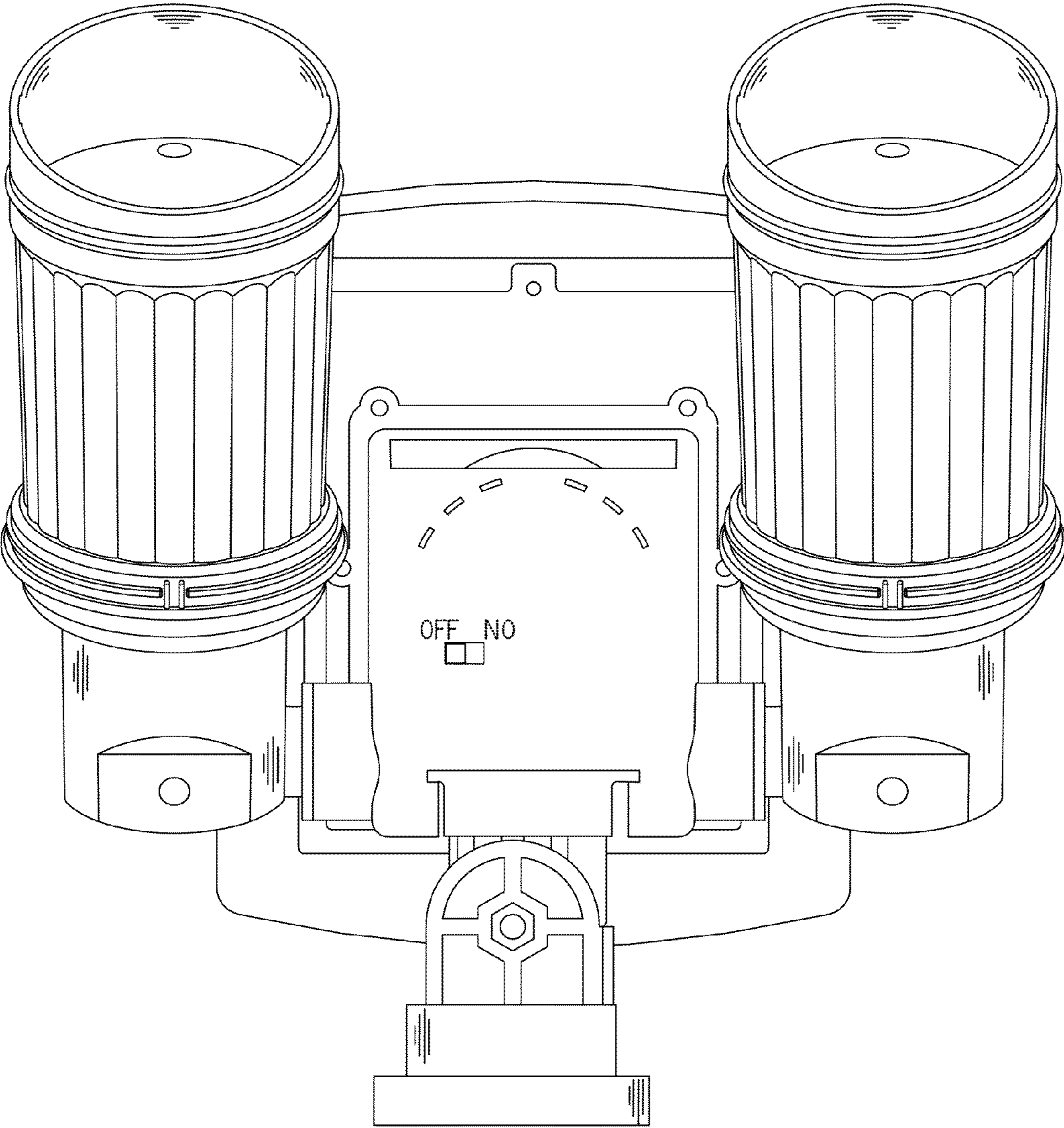


FIG. 6