



US00D713579S

(12) **United States Design Patent**  
**Chen**

(10) **Patent No.:** **US D713,579 S**

(45) **Date of Patent:** **\*\* Sep. 16, 2014**

(54) **LIGHT FIXTURE**

(71) Applicant: **Chi Gon Chen**, Guang Zhou (CN)

(72) Inventor: **Chi Gon Chen**, Guang Zhou (CN)

(73) Assignee: **International Development LLC**,  
Roanoke, TX (US)

(\*\*) Term: **14 Years**

(21) Appl. No.: **29/441,747**

(22) Filed: **Jan. 9, 2013**

(51) **LOC (10) Cl.** ..... **26-05**

(52) **U.S. Cl.**  
USPC ..... **D26/63**

(58) **Field of Classification Search**

CPC ..... F21S 8/04; F21S 8/00; F21V 21/00;  
F21V 17/02; F21V 14/02; F21V 21/30;  
F21V 21/14; F21V 21/26; F21W 2131/10  
USPC ..... D26/24, 51, 61, 63, 65, 72, 80;  
362/398, 421, 418, 287, 370, 372, 394,  
362/427, 430, 419, 276

See application file for complete search history.

(56) **References Cited**

**U.S. PATENT DOCUMENTS**

5,258,899 A \* 11/1993 Chen ..... 362/421  
5,335,159 A \* 8/1994 Chen et al. .... 362/421

5,381,323 A \* 1/1995 Osteen et al. .... 362/421  
D360,960 S \* 8/1995 Wedell et al. .... D26/63  
5,649,761 A \* 7/1997 Sandell et al. .... 362/421  
D392,066 S \* 3/1998 Morrow et al. .... D26/65  
D453,387 S \* 2/2002 Leen ..... D26/65  
D517,714 S \* 3/2006 Monroe et al. .... D26/65  
D628,329 S \* 11/2010 Tuli ..... D26/63  
8,608,353 B2 \* 12/2013 Girard ..... 362/398

\* cited by examiner

*Primary Examiner* — Brian N Vinson

(74) *Attorney, Agent, or Firm* — Brian E. Harris

(57) **CLAIM**

The ornamental design for a light fixture, as shown and described.

**DESCRIPTION**

FIG. 1 is a front perspective view of a light fixture showing my new design;

FIG. 2 is a front view thereof;

FIG. 3 is a back view thereof;

FIG. 4 is a right side view thereof;

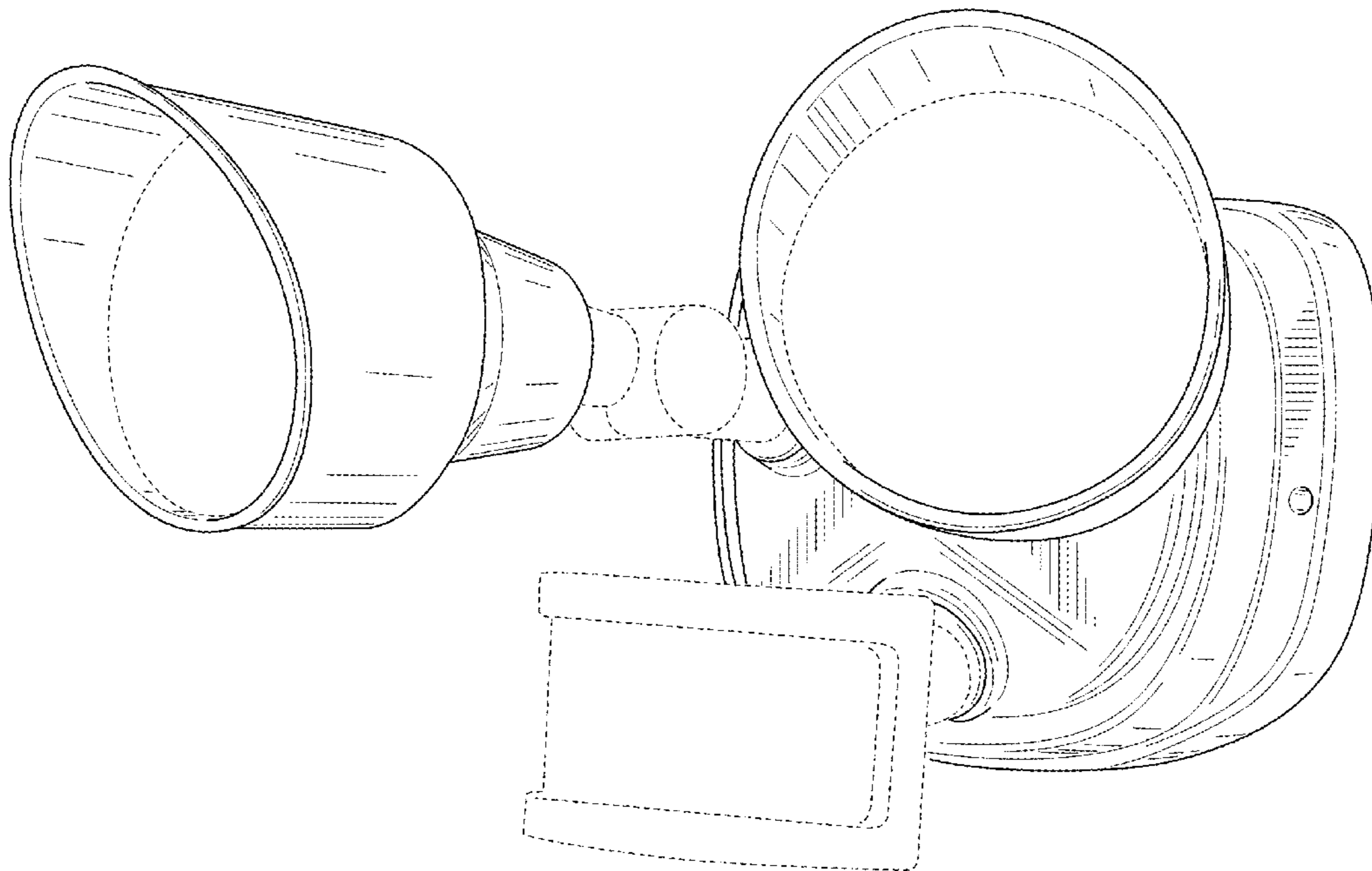
FIG. 5 is a left side view thereof;

FIG. 6 is a top view thereof; and,

FIG. 7 is a bottom view thereof.

The broken lines shown in the Figures form no part of the claimed design.

**1 Claim, 7 Drawing Sheets**



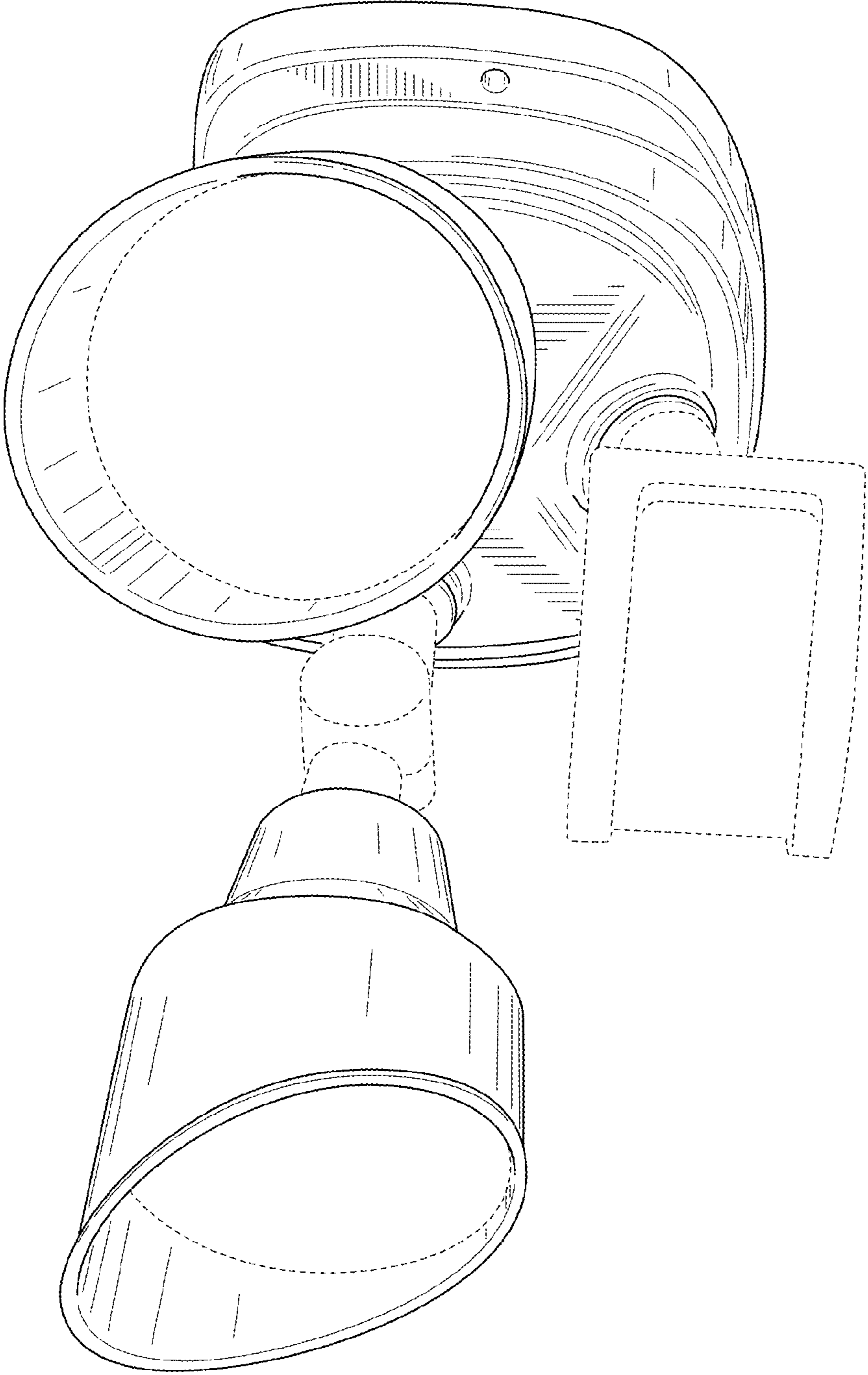


FIG. 1

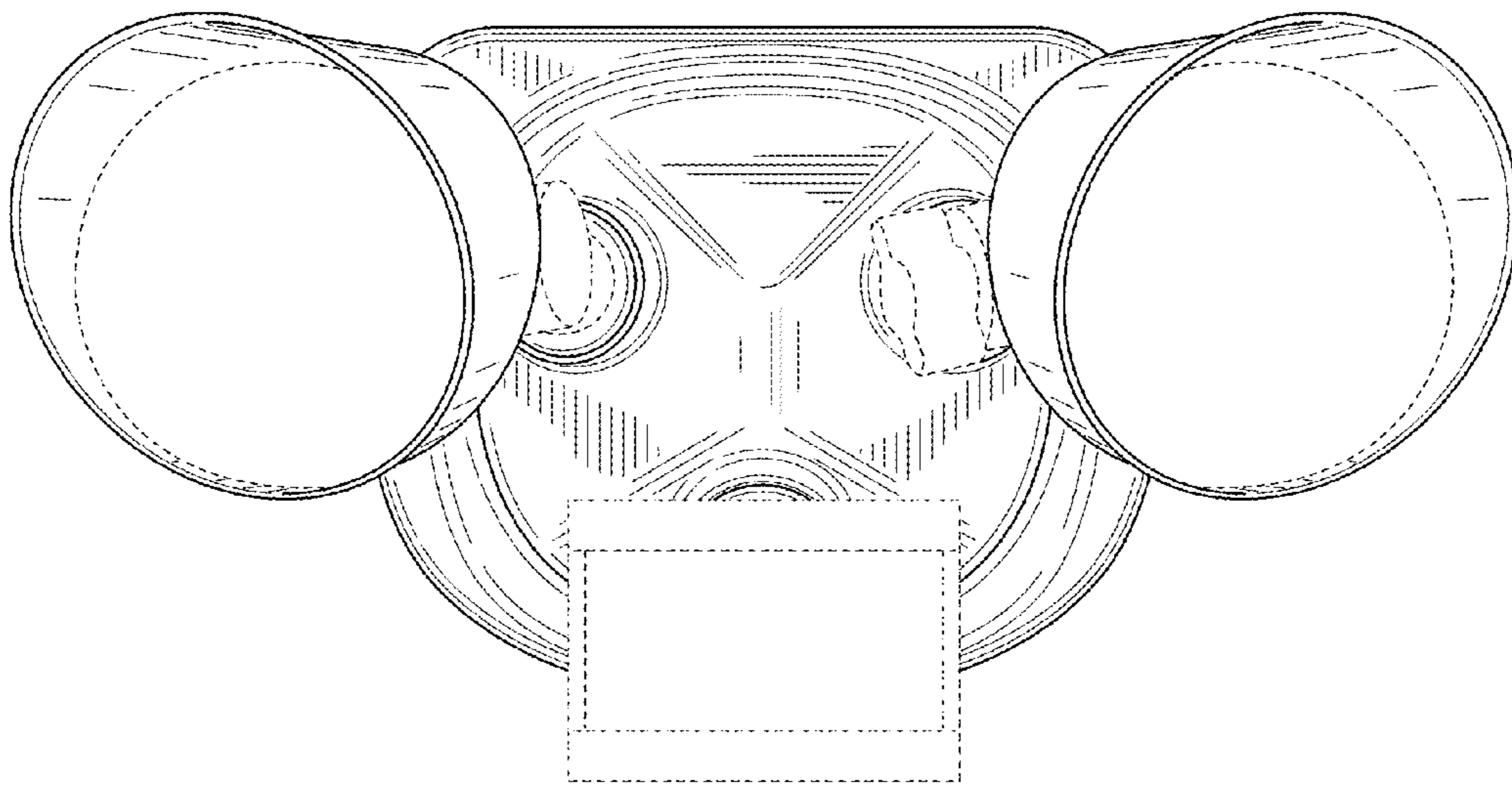
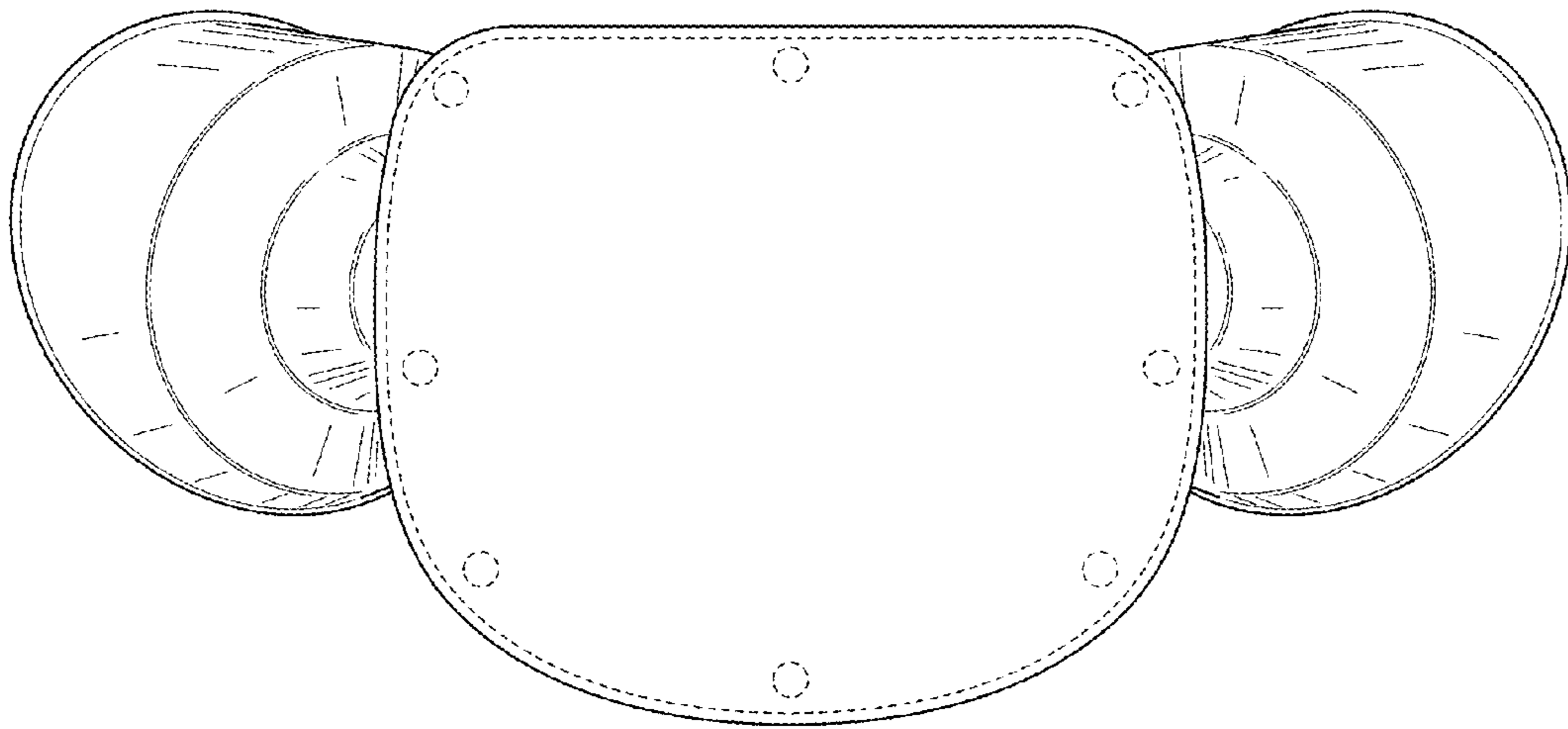


FIG. 2



**FIG. 3**

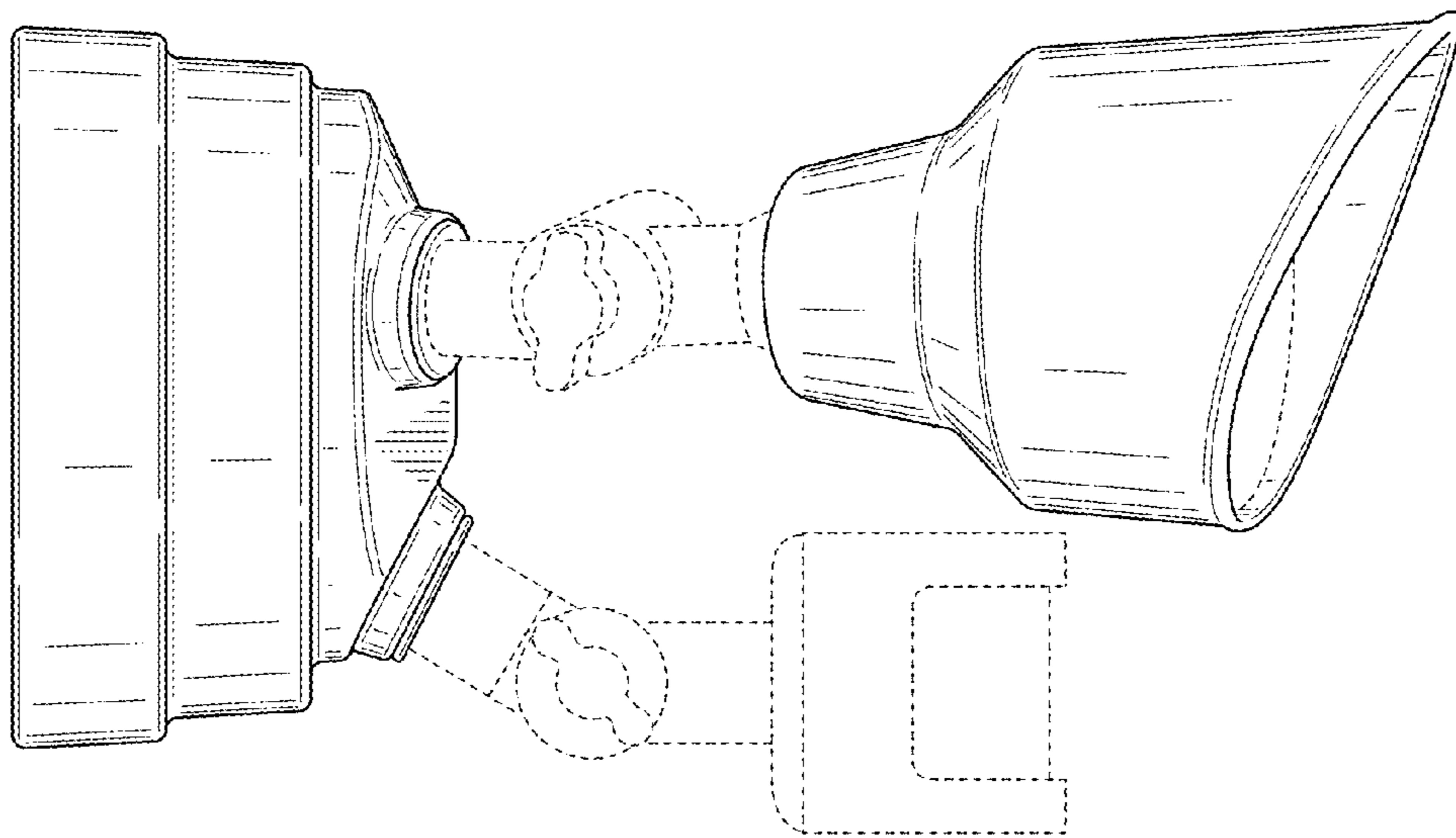


FIG. 4

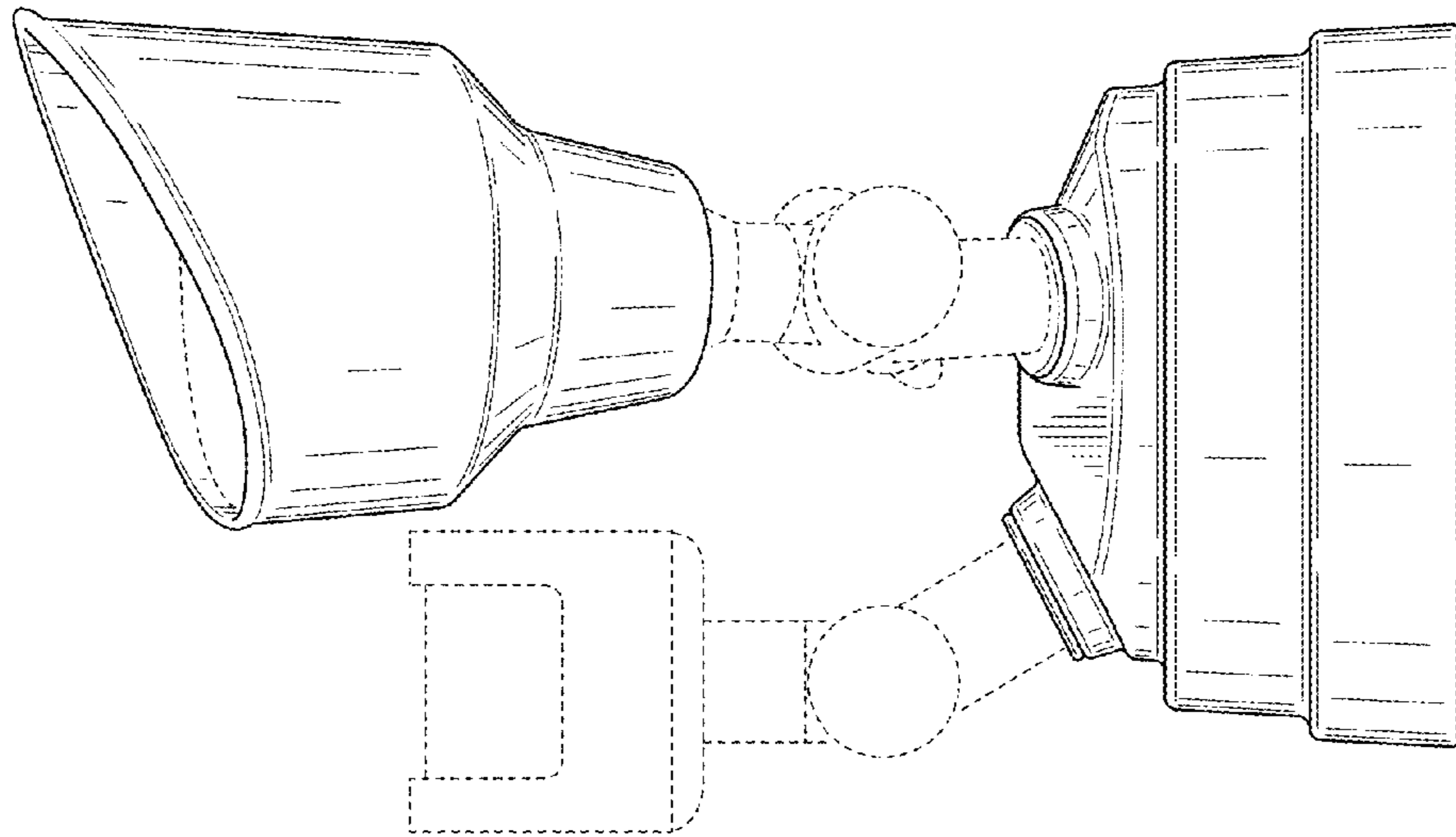


FIG. 5

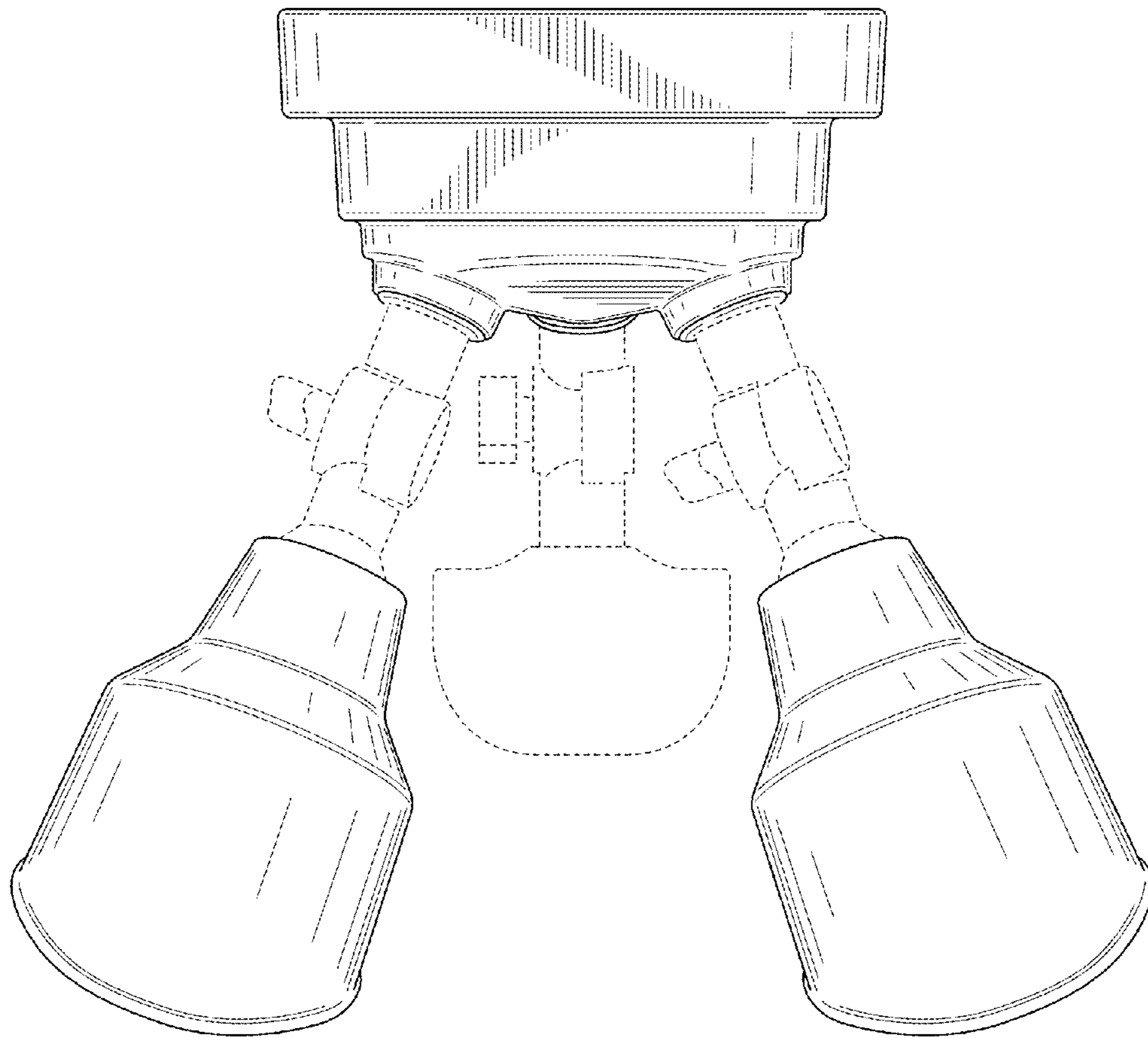


FIG. 6

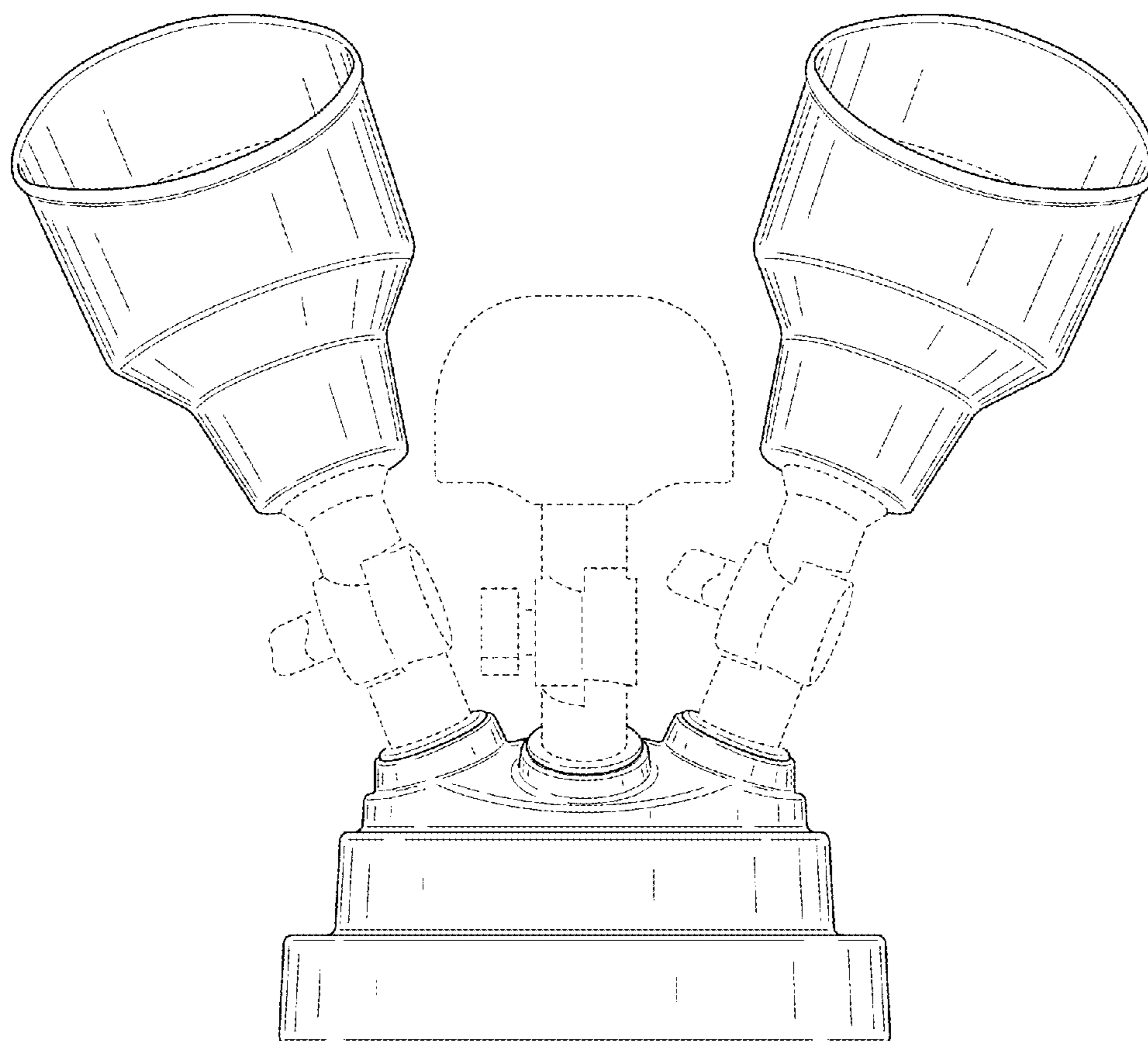


FIG. 7