

US00D713577S

(12) **United States Design Patent**
Bogart

(10) **Patent No.:** **US D713,577 S**

(45) **Date of Patent:** **** Sep. 16, 2014**

(54) **COLLAPSIBLE LIGHTING FIXTURE**

(56) **References Cited**

(71) Applicant: **Mitchell J. Bogart**, Sharon, MA (US)

U.S. PATENT DOCUMENTS

(72) Inventor: **Mitchell J. Bogart**, Sharon, MA (US)

2,740,039	A	*	3/1956	Phillips	439/341
D235,915	S	*	7/1975	desrochers	D26/63
D293,030	S	*	12/1987	Vladescu	D26/93
D435,926	S	*	1/2001	Huo-Tu	D26/63
D661,864	S	*	6/2012	Swayzer	D26/25

(**) Term: **14 Years**

* cited by examiner

(21) Appl. No.: **29/435,088**

Primary Examiner — Brian N Vinson

(22) Filed: **Oct. 19, 2012**

(57) **CLAIM**

(51) **LOC (10) Cl.** **26-03**

The ornamental design for a collapsible lighting fixture, as shown and described.

(52) **U.S. Cl.**

DESCRIPTION

USPC **D26/63**

(58) **Field of Classification Search**

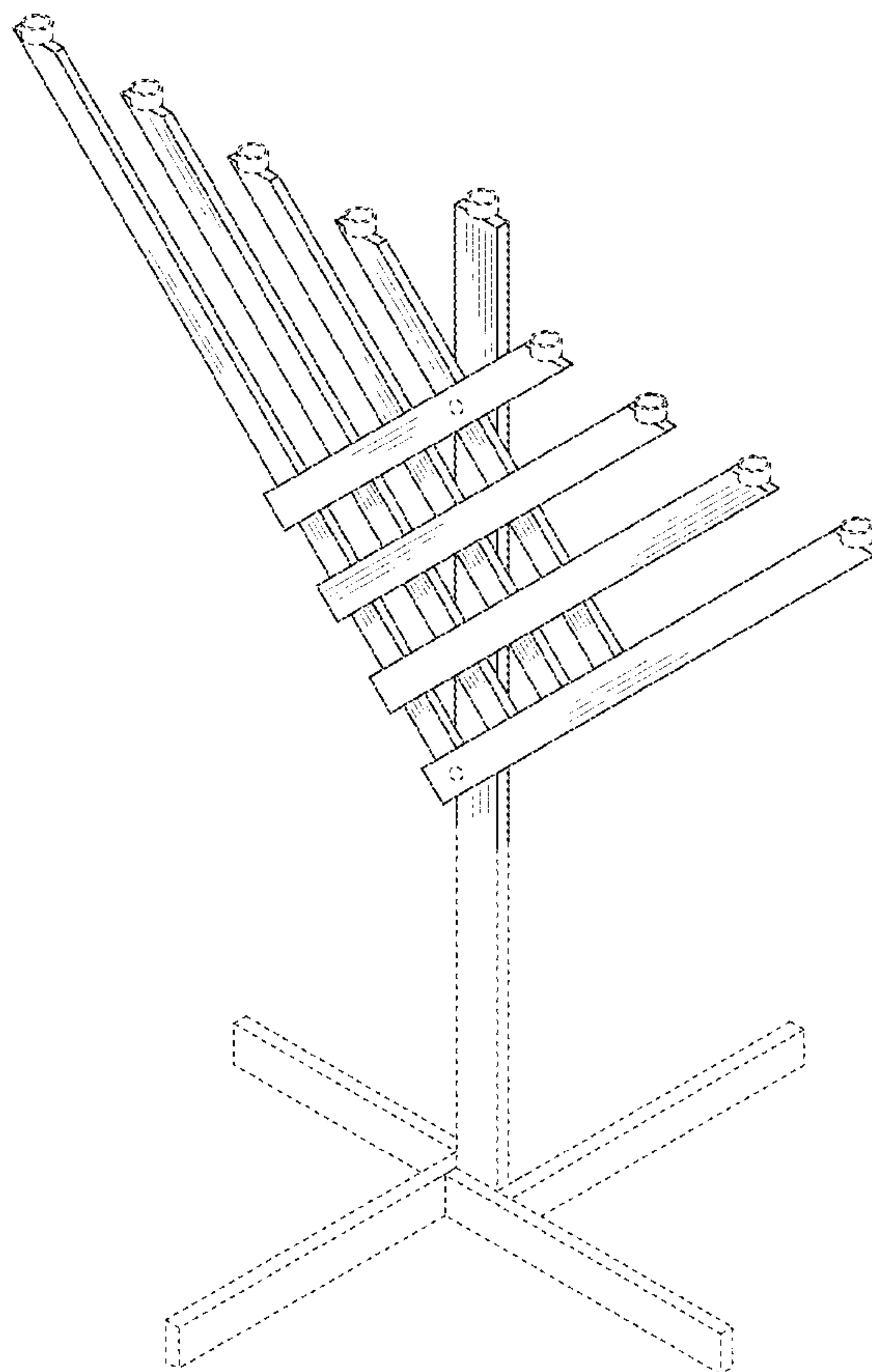
USPC D26/60–66, 72, 87, 92, 85, 93, 102,
D26/104; 362/157, 158, 183–208, 171–174,
362/271, 311.13, 319, 430, 432, 213, 147,
362/269, 270, 410–414, 418, 800, 275, 277,
362/278, 280–285, 287, 288, 419, 427, 449,
362/211, 227, 232, 249.02–249.04,
362/249.07–249.09, 249.1, 249.11, 264,
362/235–240, 294

FIG. 1 is a front perspective view of a collapsible lighting fixture according to the present invention;
FIG. 2 is a rear view thereof;
FIG. 3 is a right side view thereof;
FIG. 4 is a left side view thereof;
FIG. 5 is a front side view thereof;
FIG. 6 is a top view thereof; and,
FIG. 7 is a bottom view thereof.

The broken lines in the drawings illustrate environmental structure and form no part of the claimed design.

See application file for complete search history.

1 Claim, 5 Drawing Sheets



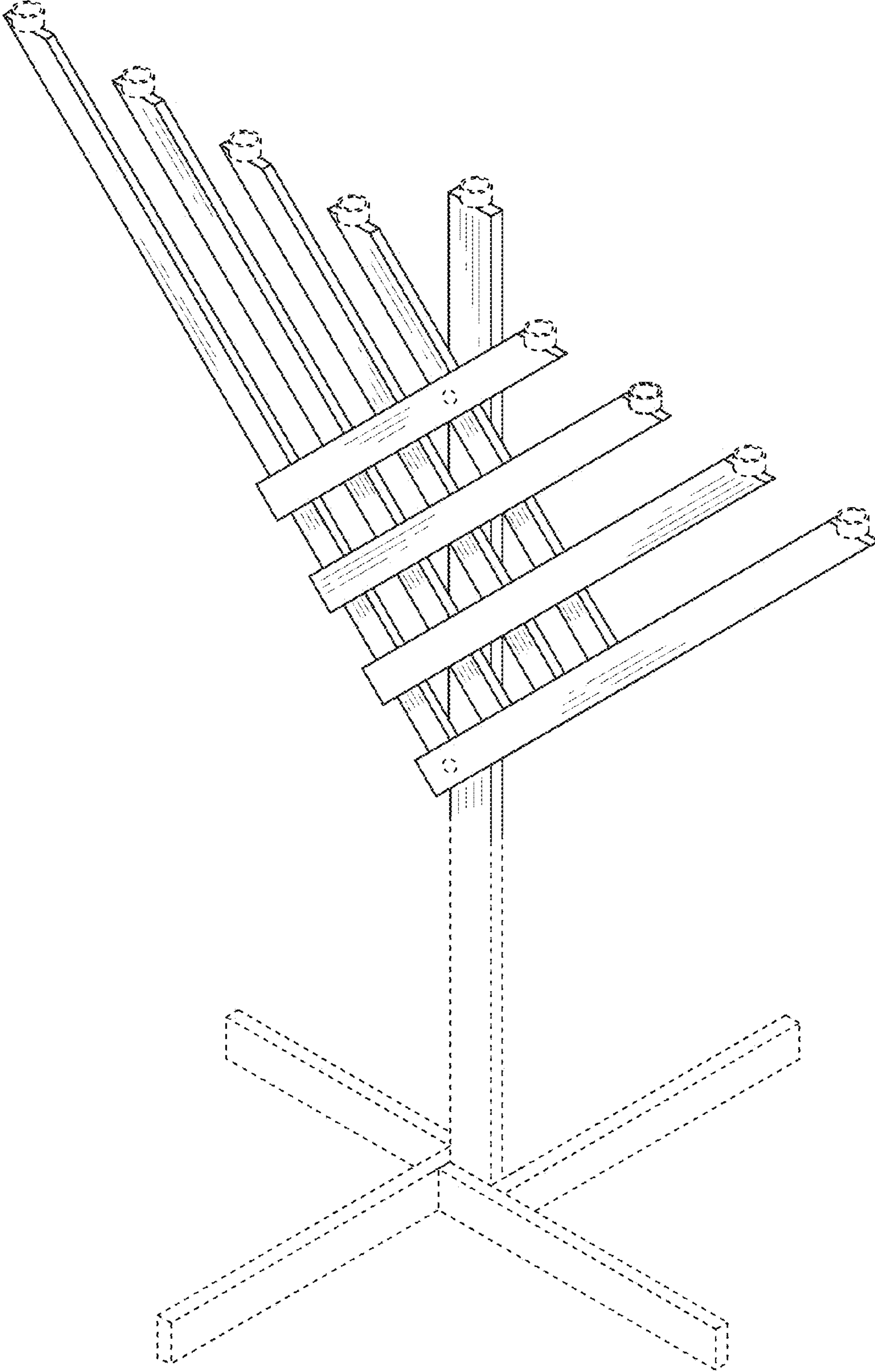


FIG. 1

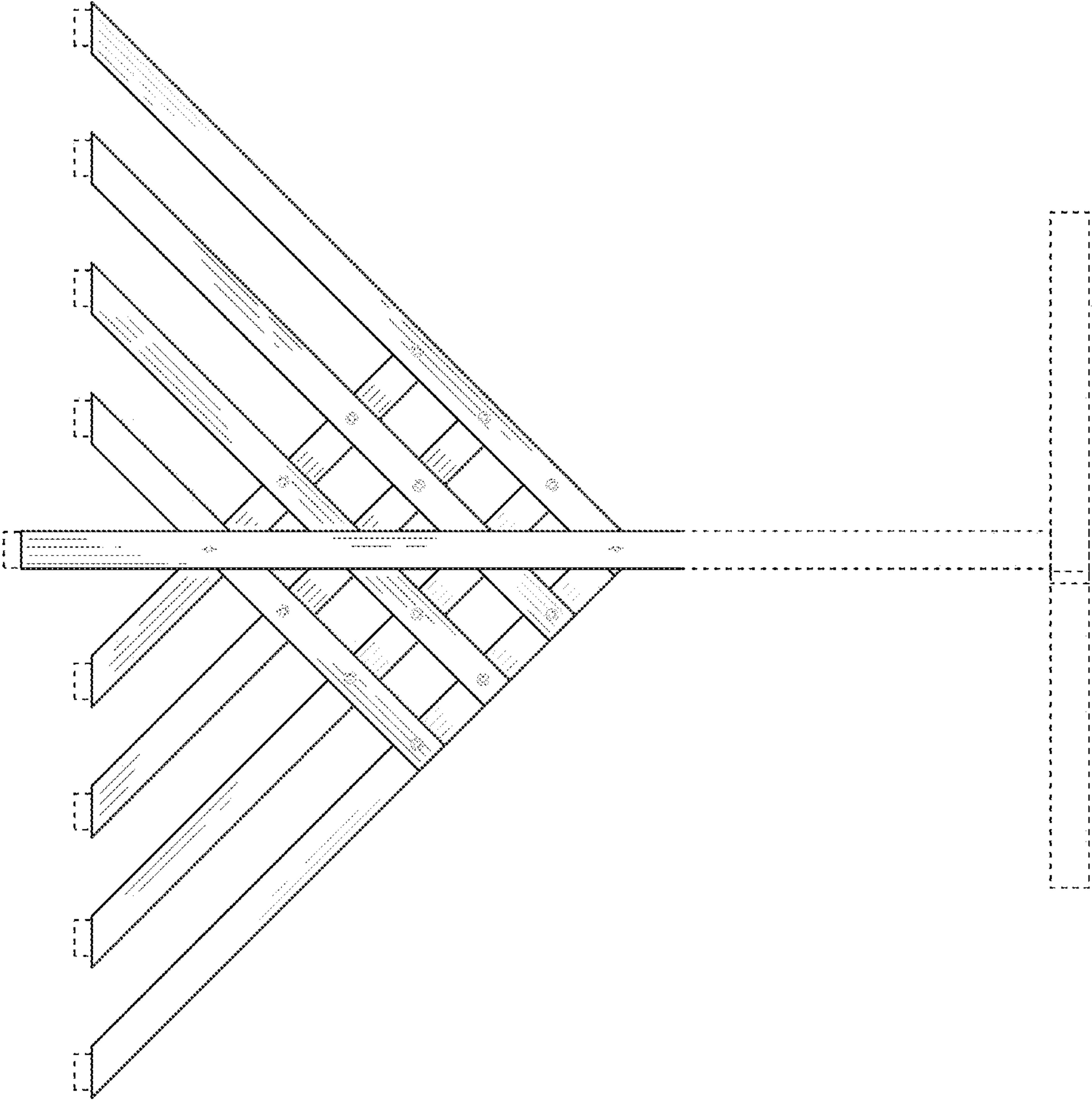


FIG. 2

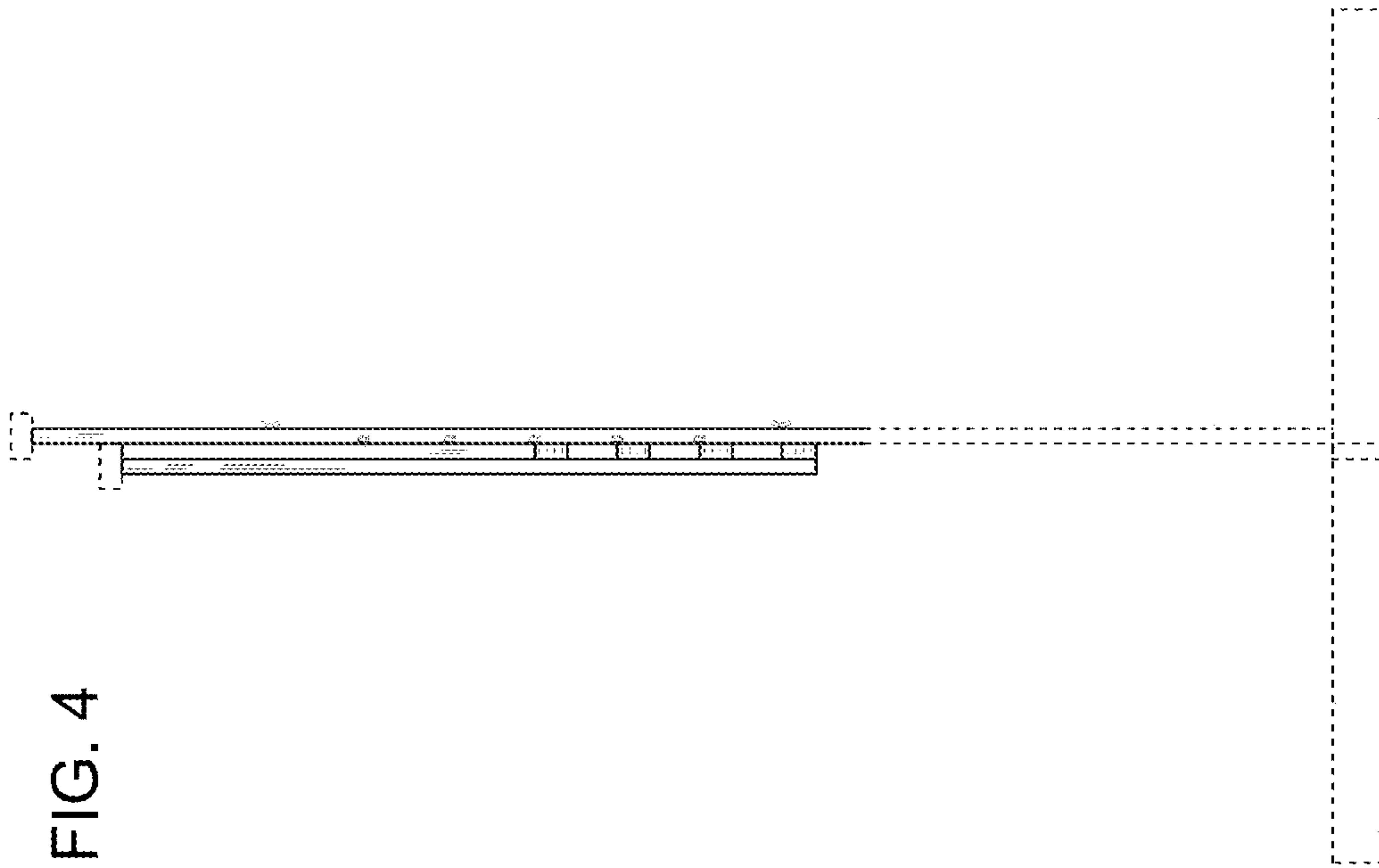


FIG. 4

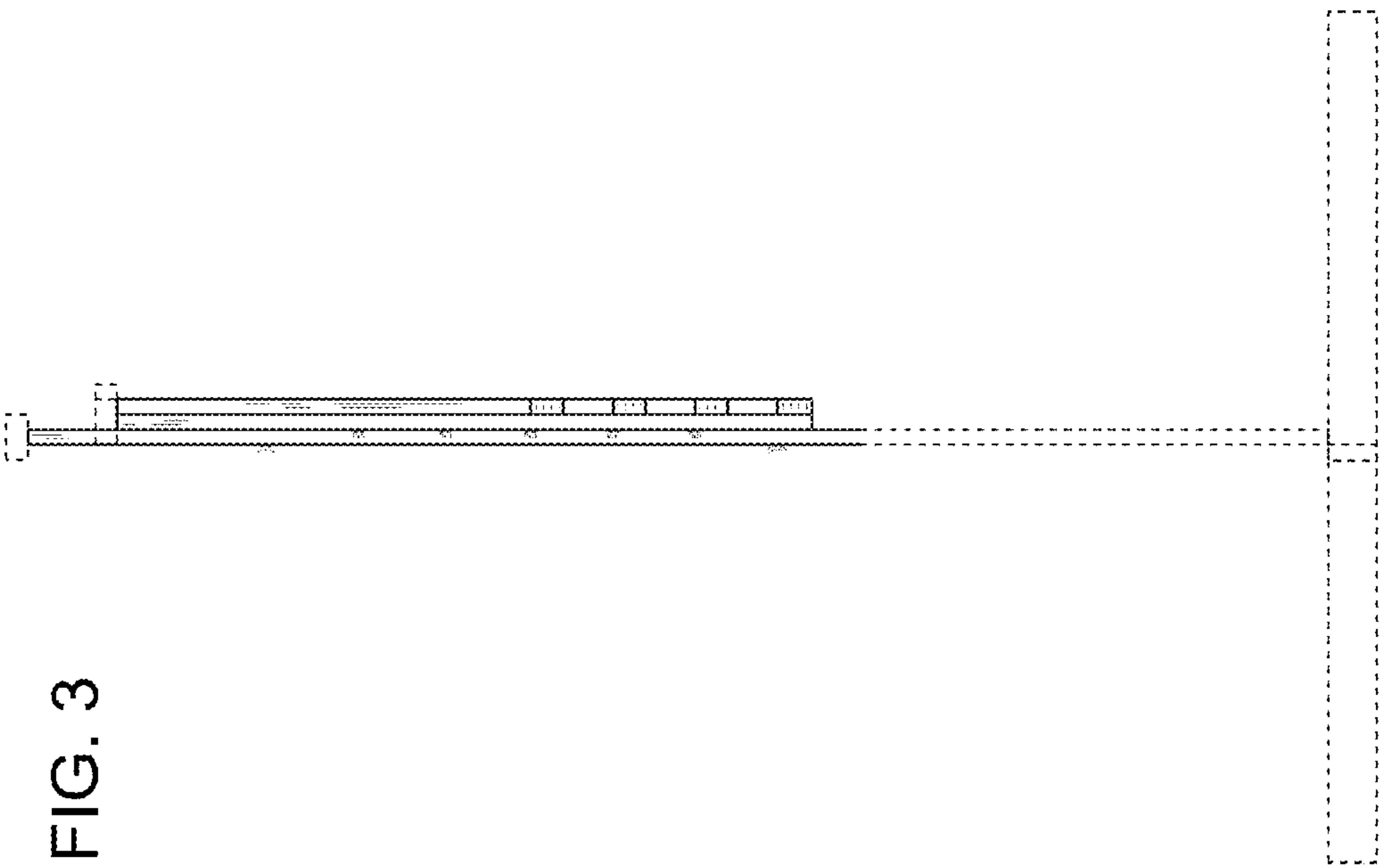


FIG. 3

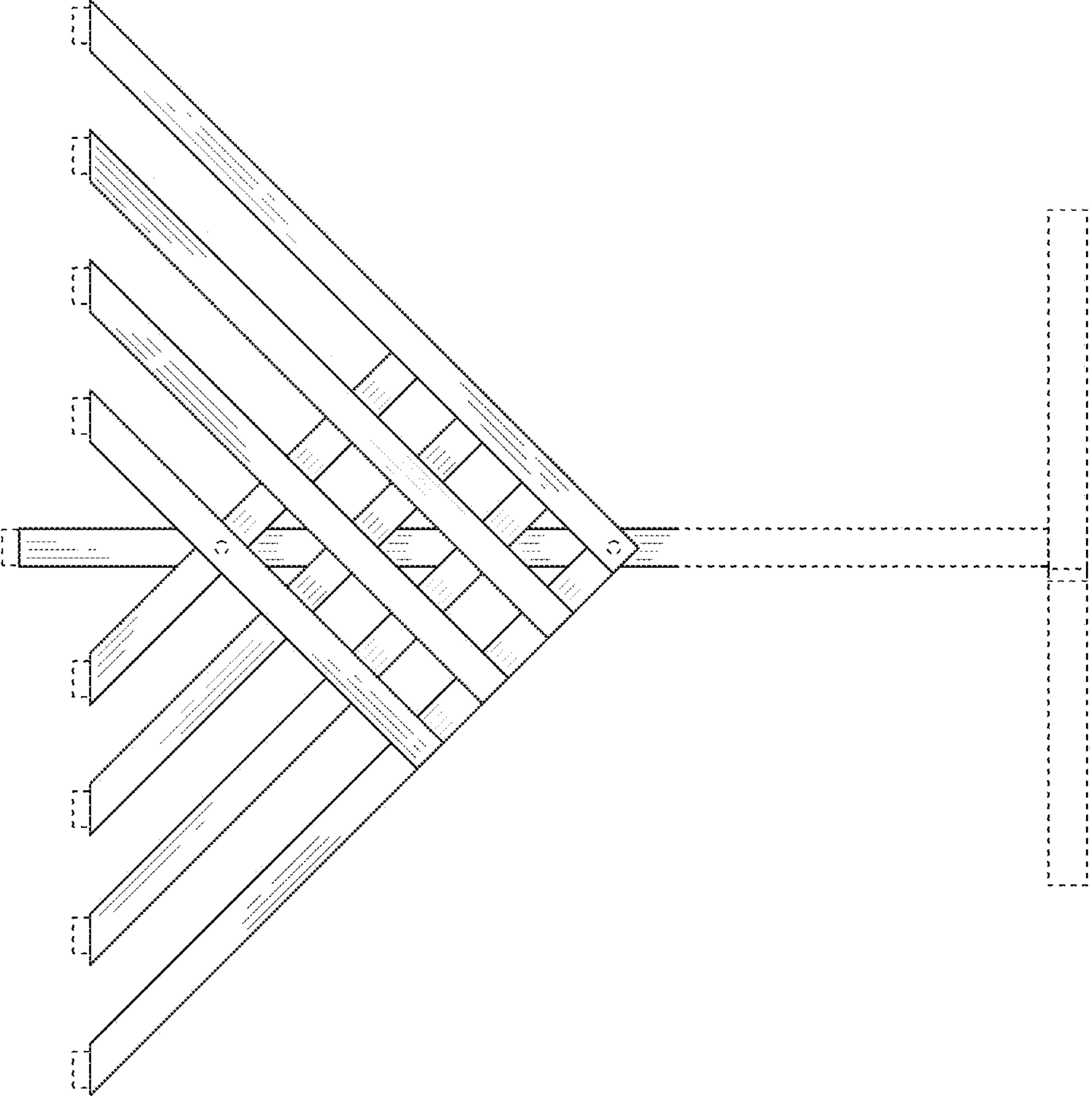


FIG. 5

FIG. 6

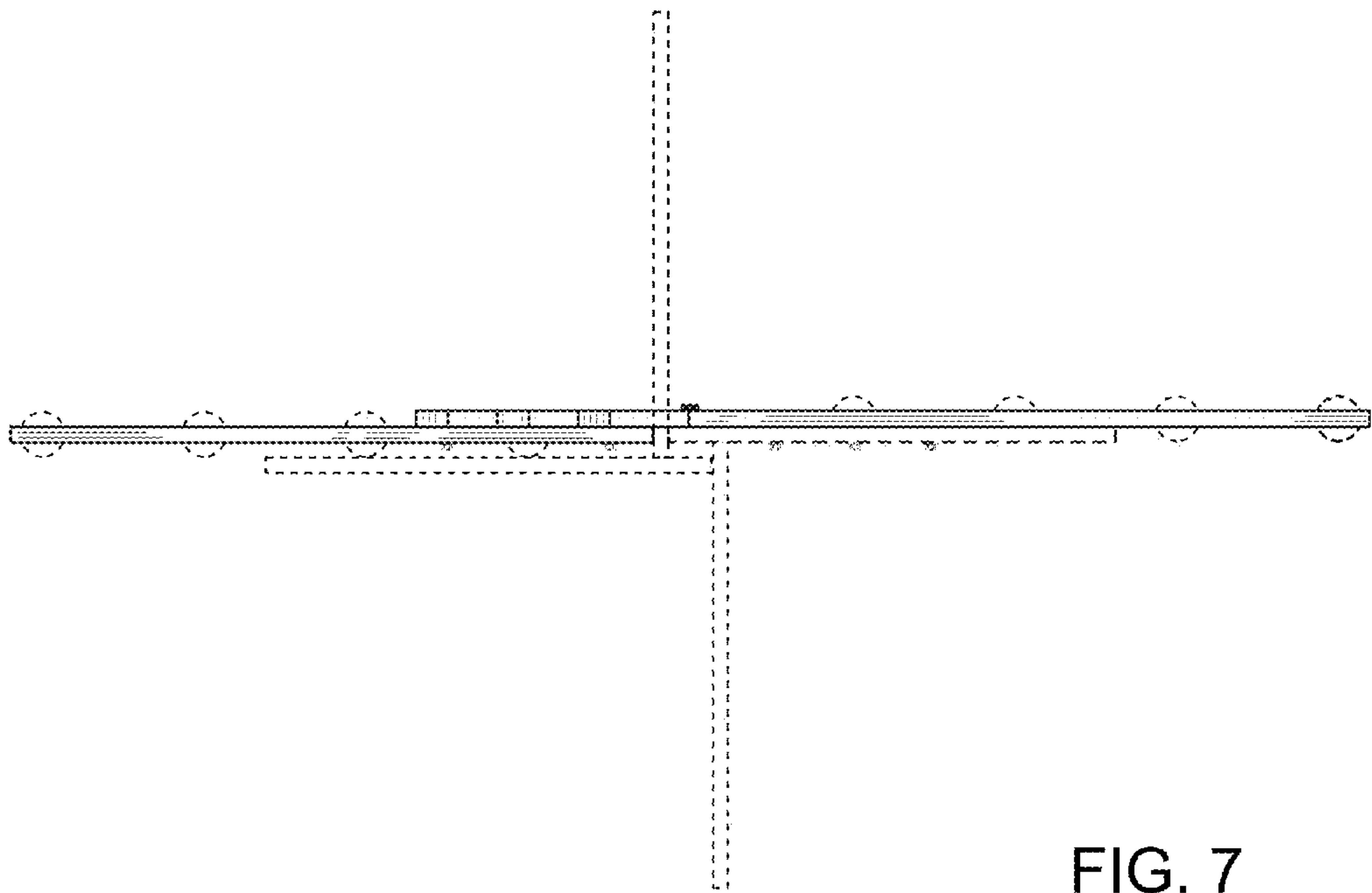
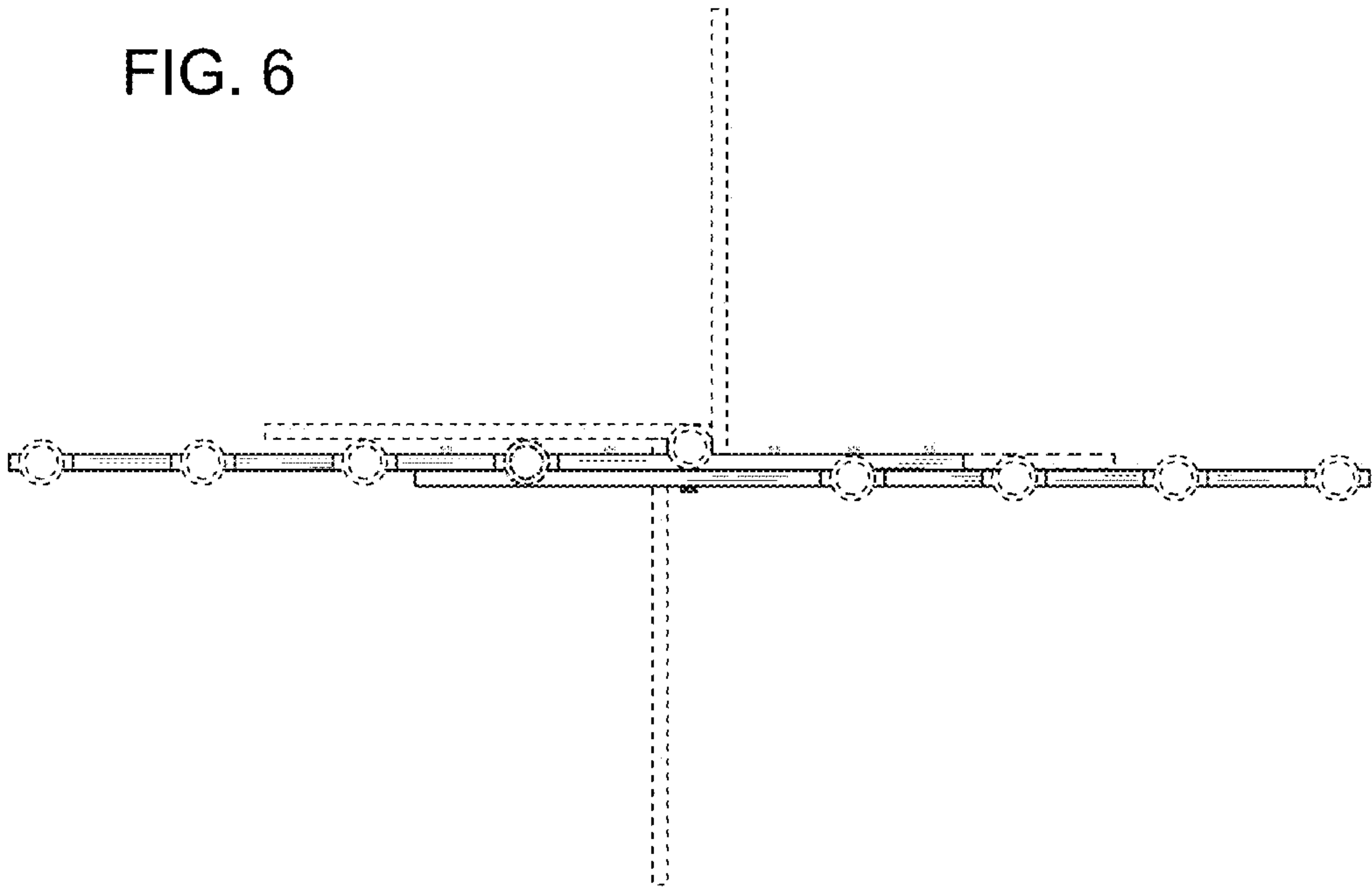


FIG. 7