



US00D713576S

(12) **United States Design Patent**
Popper et al.

(10) **Patent No.:** **US D713,576 S**

(45) **Date of Patent:** **** Sep. 16, 2014**

(54) **FOCUSING RING**

(75) Inventors: **Richard S. Popper**, Scottsdale, AZ
(US); **Jensen Jorgensen**, Scottsdale, AZ
(US)

(73) Assignee: **XGlow P/T, LLC**, Scottsdale, AZ (US)

(**) Term: **14 Years**

(21) Appl. No.: **29/429,219**

(22) Filed: **Aug. 8, 2012**

(51) **LOC (10) Cl.** **26-02**

(52) **U.S. Cl.**
USPC **D26/49; D26/113**

(58) **Field of Classification Search**
USPC D26/37, 38, 39, 44, 46, 49, 113;
315/297; 362/184, 187, 188, 199, 202,
362/208

See application file for complete search history.

(56) **References Cited**

U.S. PATENT DOCUMENTS

D324,743	S	*	3/1992	Prosser	D26/113
D409,777	S	*	5/1999	Sharrah et al.	D26/44
D504,530	S	*	4/2005	Shiu	D26/37
D509,008	S	*	8/2005	Shiu	D26/37
D525,734	S	*	7/2006	Shiao	D26/39
D537,971	S	*	3/2007	Shiu	D26/49
D549,376	S	*	8/2007	Shiu	D26/49
D574,984	S	*	8/2008	Hesse et al.	D26/37
D576,757	S	*	9/2008	Hesse et al.	D26/49
7,434,955	B2	*	10/2008	Vickers et al.	362/205

D596,772	S	*	7/2009	Chang	D26/49
D599,928	S	*	9/2009	Shiu	D26/49
D601,286	S	*	9/2009	Chen	D26/49
D641,093	S	*	7/2011	Kidman	D26/49
8,147,089	B2	*	4/2012	Matthews et al.	362/199
D659,869	S	*	5/2012	Prieto	D26/49
D660,488	S	*	5/2012	Ye	D26/49
D667,578	S	*	9/2012	Milz et al.	D26/49
D674,946	S	*	1/2013	Bertken	D26/49
D678,572	S	*	3/2013	Zhang	D26/49
D681,858	S	*	5/2013	Sharrah et al.	D26/49
2009/0295310	A1	*	12/2009	Duerr et al.	315/297

* cited by examiner

Primary Examiner — Adir Aronovich

Assistant Examiner — Ramzi Almatrahi

(74) *Attorney, Agent, or Firm* — Stephen C. Beuerle;
Procopio Cory Hargreaves & Savitch LLP

(57) **CLAIM**

The ornamental design for a focusing ring, as shown and described.

DESCRIPTION

FIG. 1 is a perspective view of a focusing ring showing our new design;

FIG. 2 is a front elevational view of the focusing ring thereof;

FIG. 3 is a rear elevational view of the focusing ring thereof;

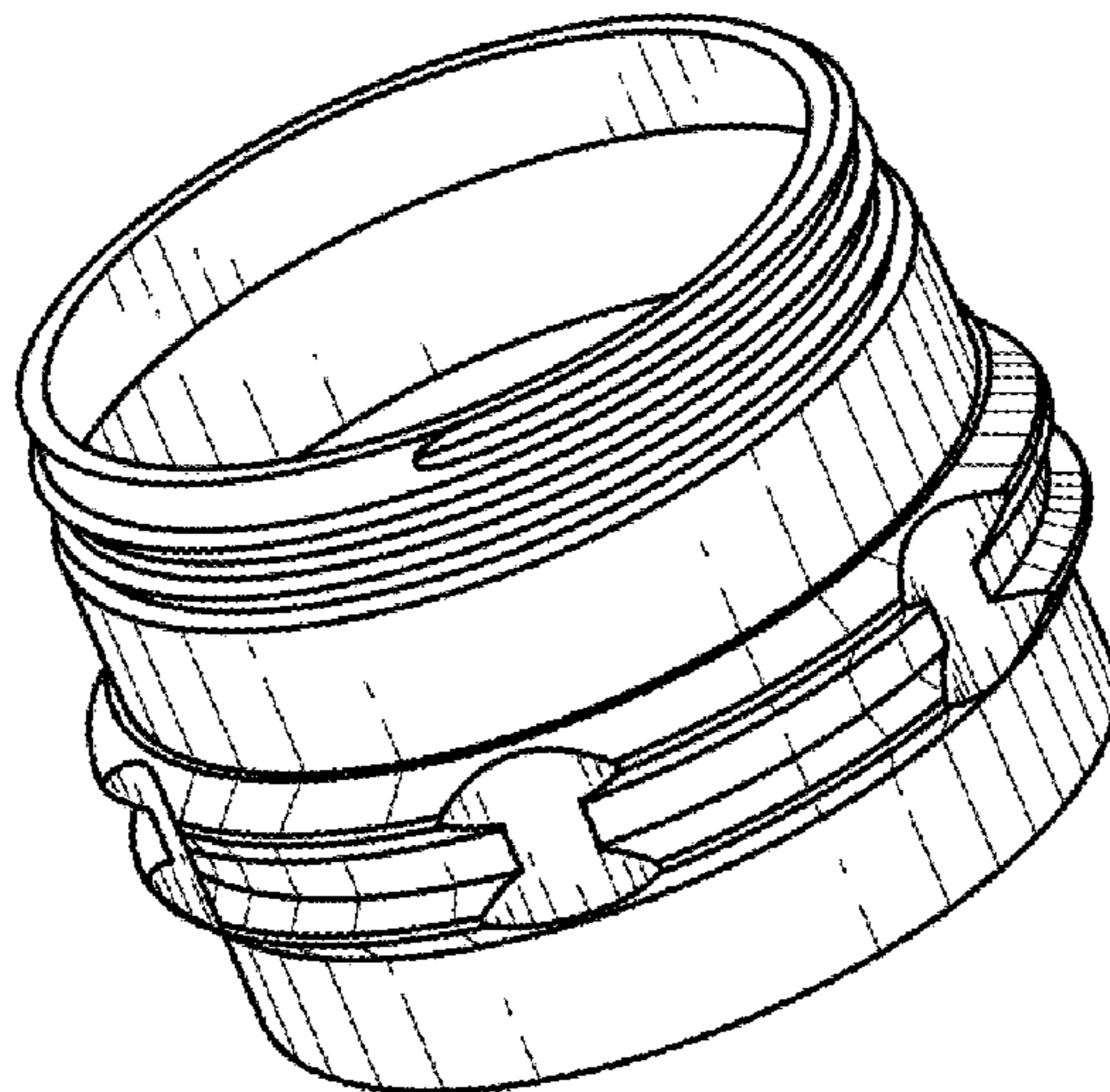
FIG. 4 is a right side elevational view of the focusing ring thereof;

FIG. 5 is a left side elevational view of the focusing ring thereof;

FIG. 6 is a top plan view of the focusing ring thereof; and,

FIG. 7 is a bottom plan view of the focusing ring thereof.

1 Claim, 2 Drawing Sheets



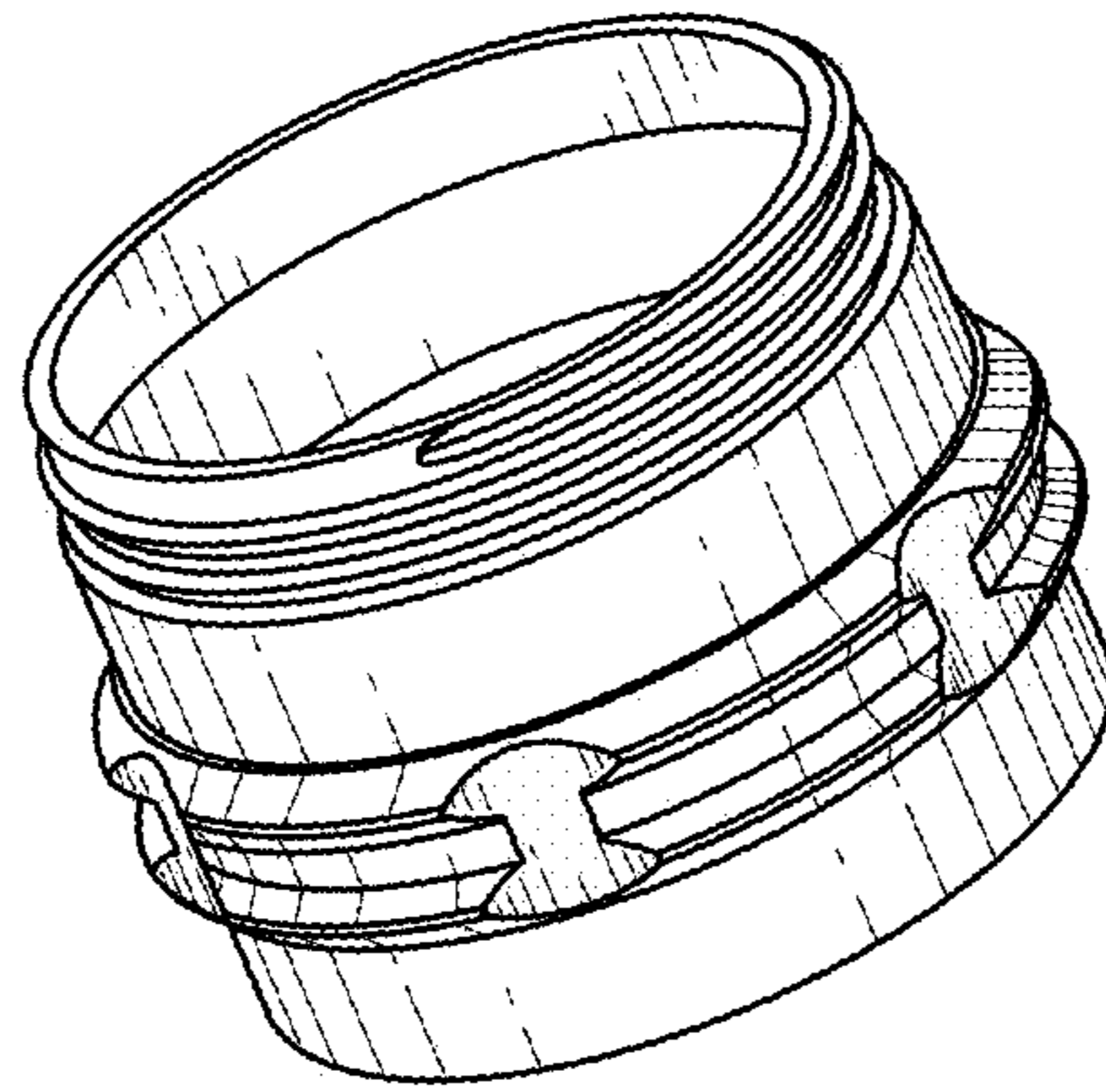


FIG. 1

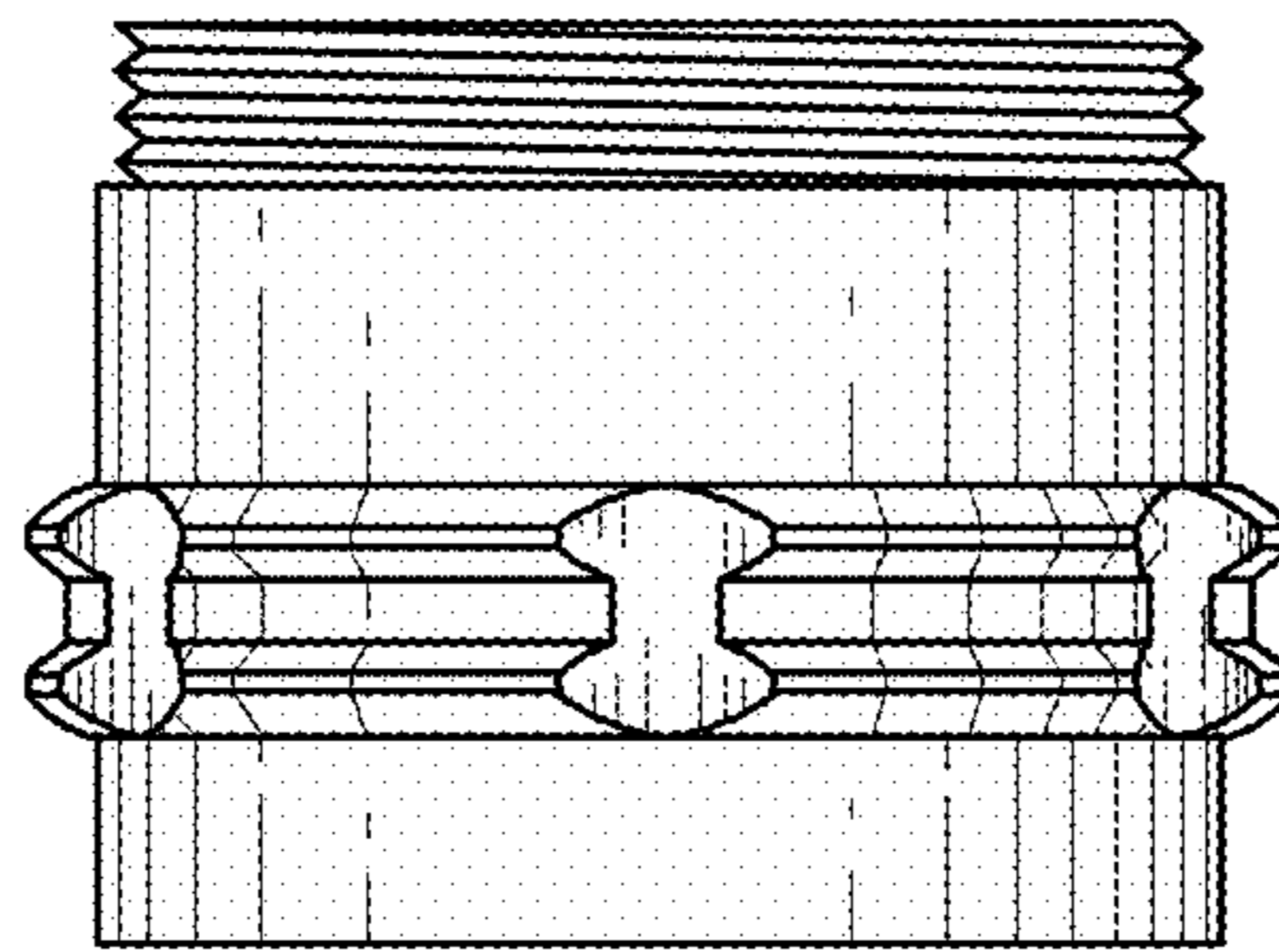


FIG. 2

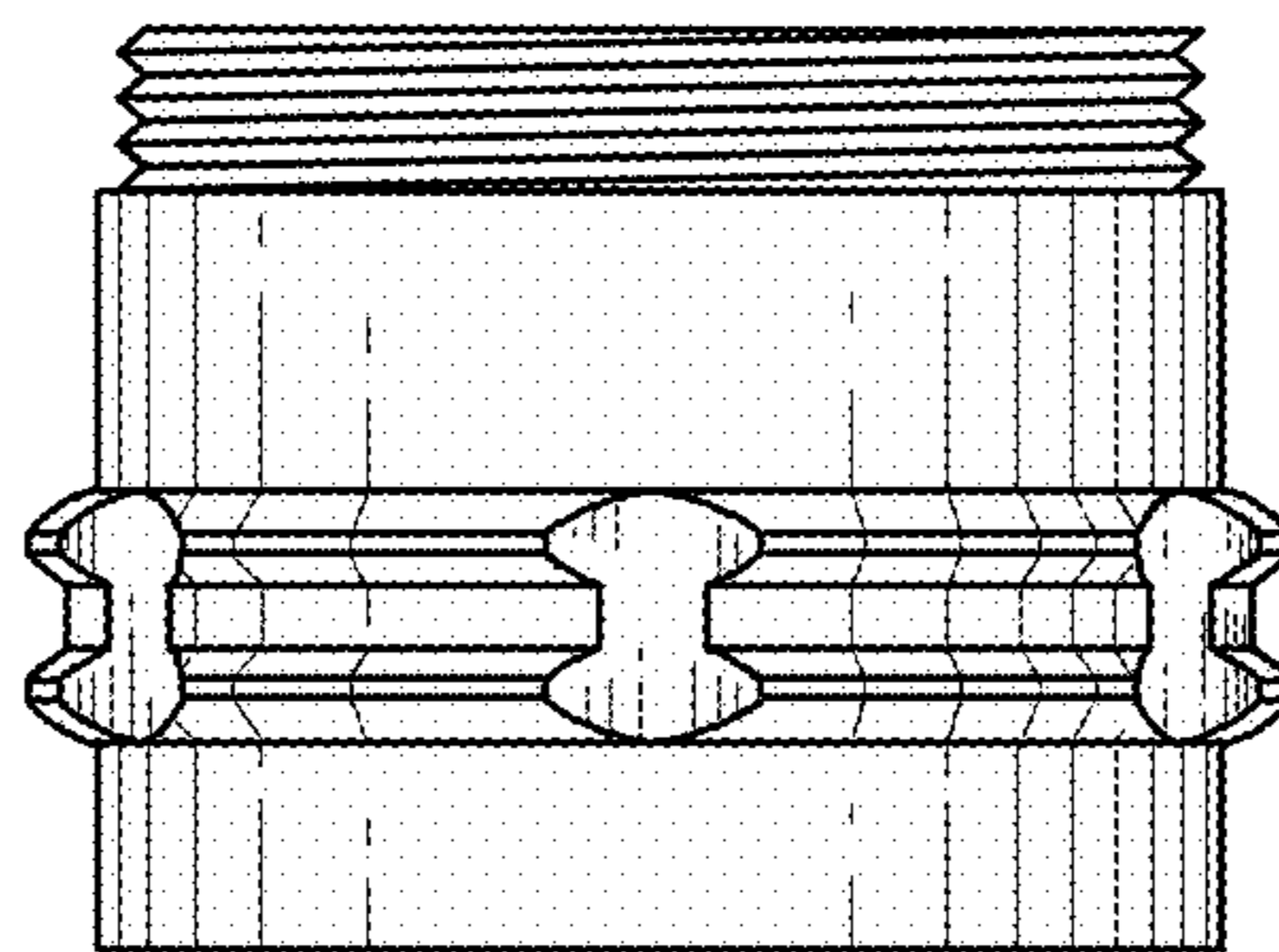


FIG. 3

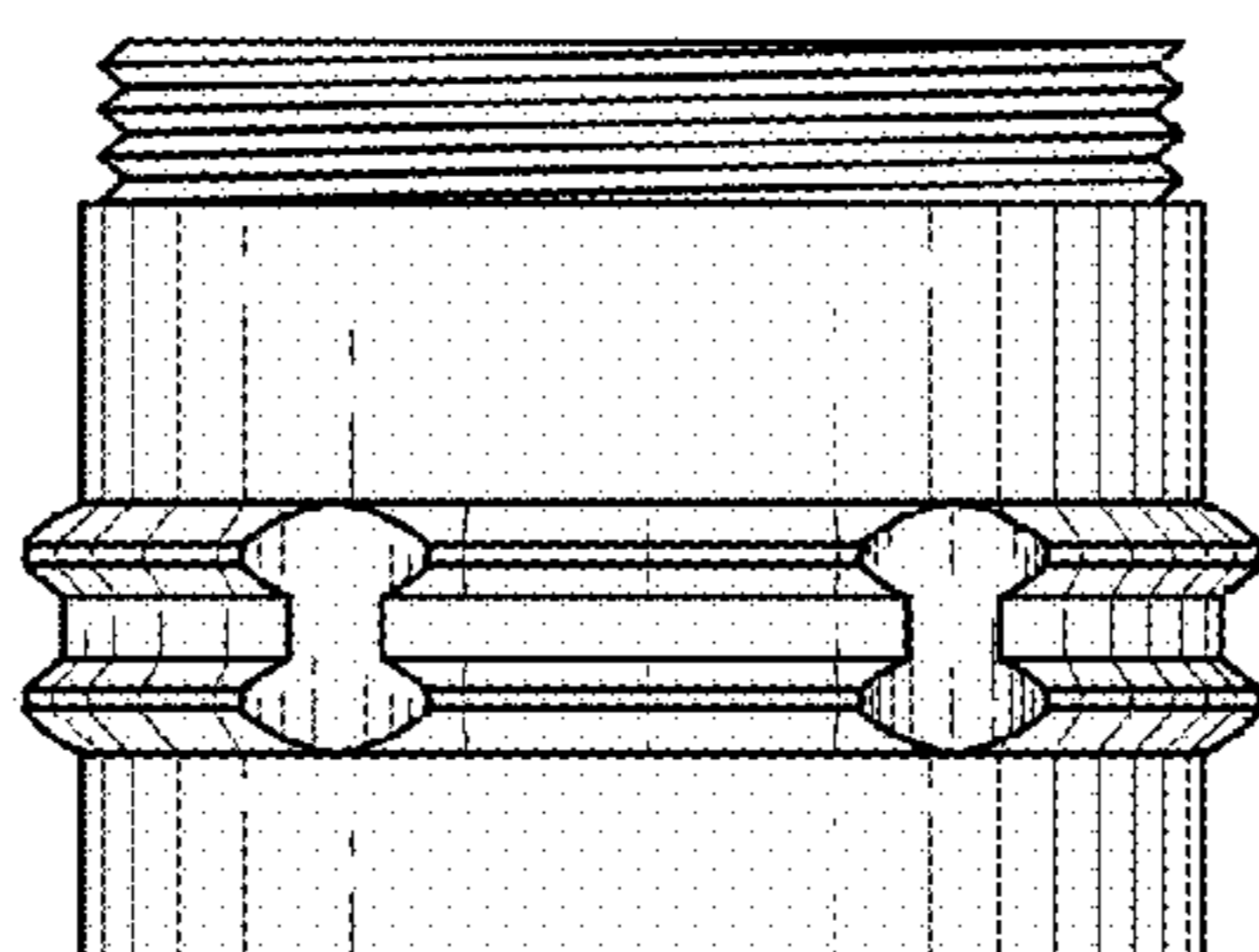


FIG. 4

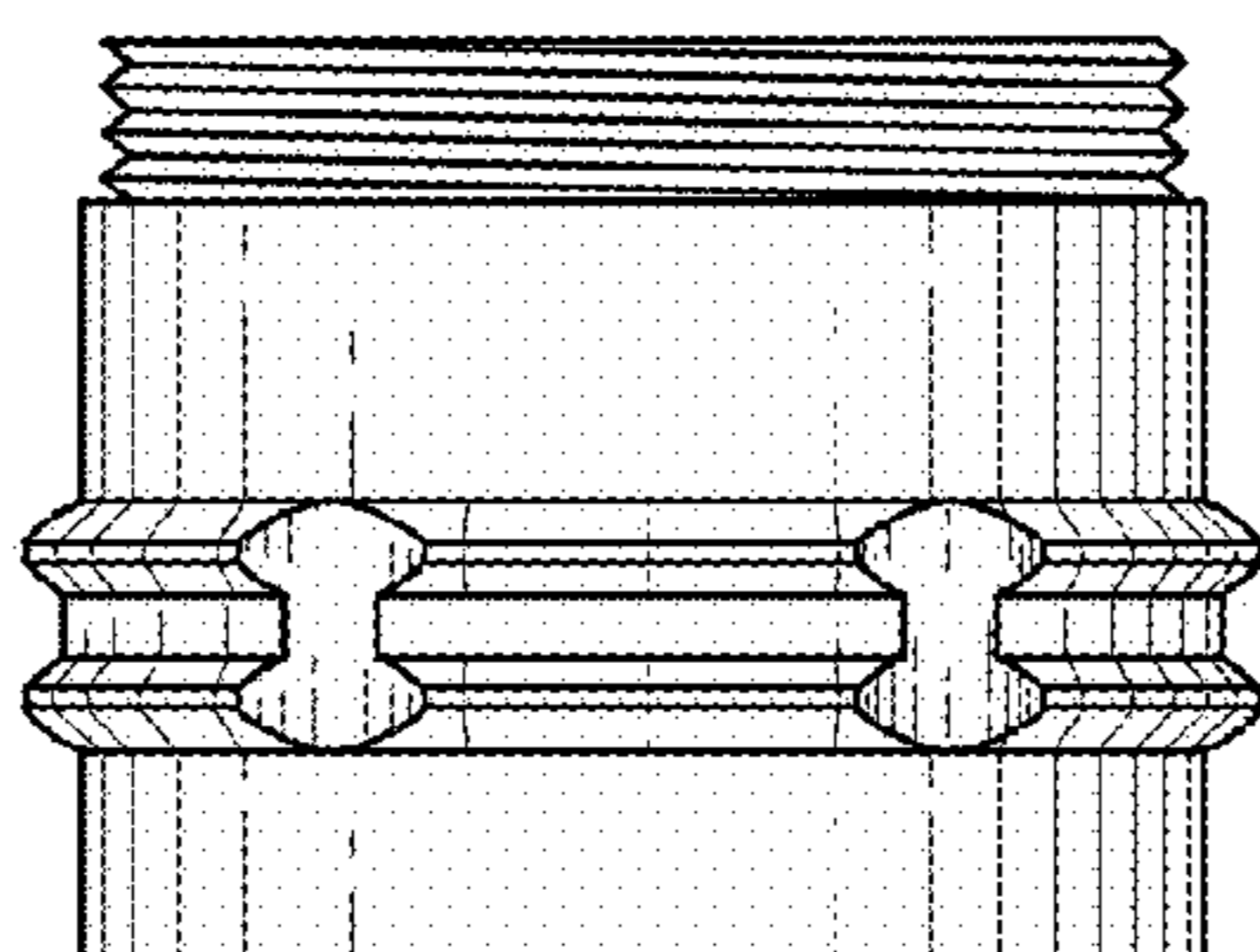


FIG. 5

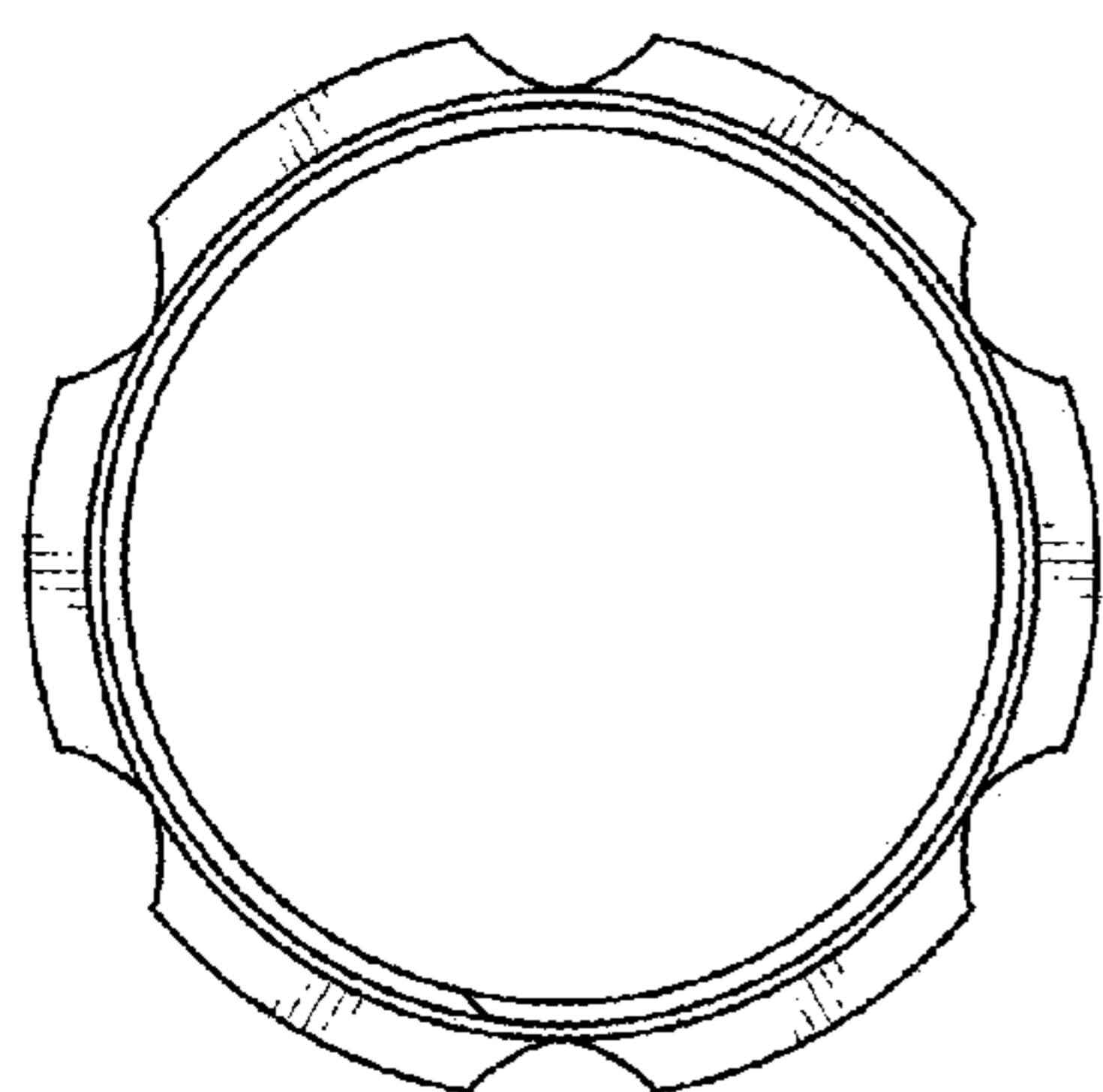


FIG. 6

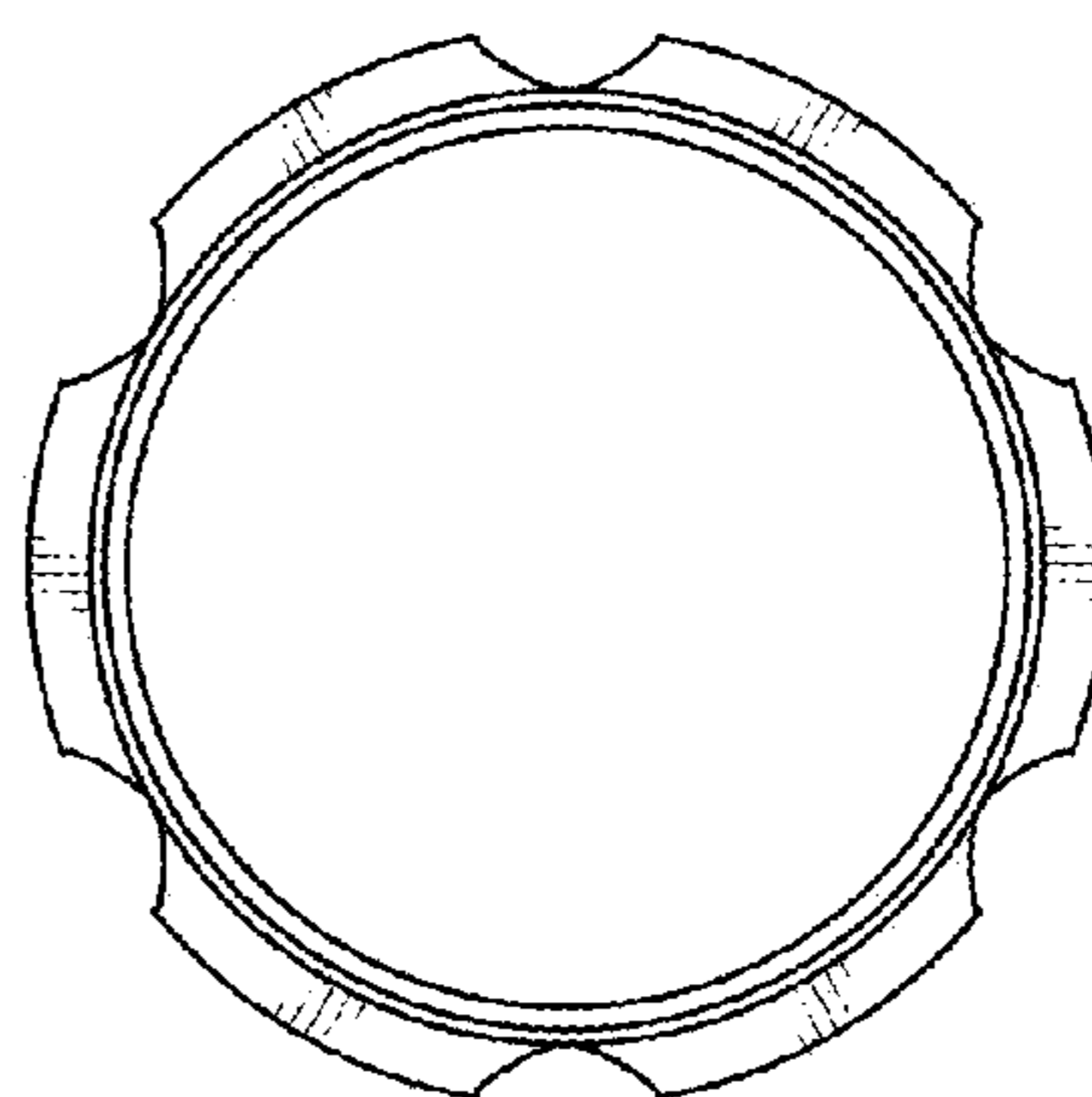


FIG. 7