



US00D713566S

(12) **United States Design Patent**
Patel et al.

(10) **Patent No.:** **US D713,566 S**

(45) **Date of Patent:** **** Sep. 16, 2014**

(54) **LED LAMP**

(71) Applicants: **Nilesh S. Patel**, Matthews, NC (US);
Masatoshi Honji, Westborough, MA
(US); **Jason J. Li**, Boxford, MA (US);
Anil Jeswani, Beverly, MA (US); **Anne**
J. Milliez, Brighton, MA (US)

(72) Inventors: **Nilesh S. Patel**, Matthews, NC (US);
Masatoshi Honji, Westborough, MA
(US); **Jason J. Li**, Boxford, MA (US);
Anil Jeswani, Beverly, MA (US); **Anne**
J. Milliez, Brighton, MA (US)

(73) Assignee: **OSRAM Sylvania Inc.**, Danvers, MA
(US)

(**) Term: **14 Years**

(21) Appl. No.: **29/461,580**

(22) Filed: **Jul. 25, 2013**

(51) **LOC (10) Cl.** **26-04**

(52) **U.S. Cl.**
USPC **D26/2**

(58) **Field of Classification Search**
USPC D26/1-4; 313/313, 315, 316, 317, 318,
313/493; 315/52, 53, 56, 57, 58
See application file for complete search history.

(56) **References Cited**

U.S. PATENT DOCUMENTS

D508,575	S	*	8/2005	Buschmann et al.	D26/2
D629,929	S	*	12/2010	Chen et al.	D26/2
D645,989	S	*	9/2011	Cheng	D26/2
D664,271	S	*	7/2012	Kim et al.	D26/2
D667,970	S	*	9/2012	Chen	D26/2
D667,971	S	*	9/2012	Maxik et al.	D26/2

* cited by examiner

Primary Examiner — Marcus Jackson

(74) *Attorney, Agent, or Firm* — Edward S. Podszus

(57) **CLAIM**

The ornamental design for an LED lamp, as shown and described.

DESCRIPTION

FIG. 1 is a perspective view of the ornamental design for a LED lamp;

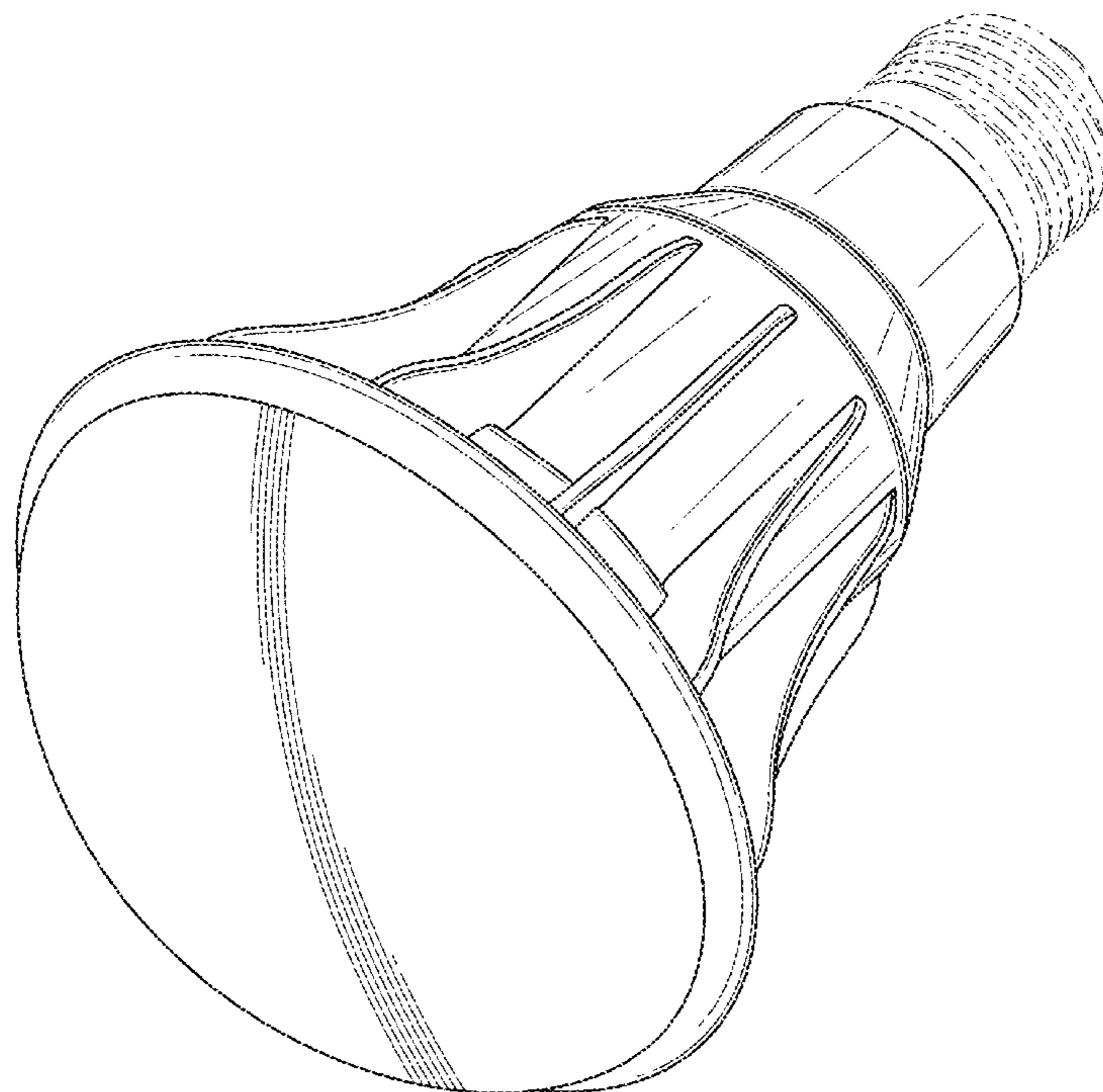
FIG. 2 is a side elevational view thereof, the other sides being similar;

FIG. 3 is a top view thereof; and,

FIG. 4 is a bottom view thereof.

The broken lines illustrating portions of the LED lamp show environmental features only, and form no part of the claimed design.

1 Claim, 4 Drawing Sheets



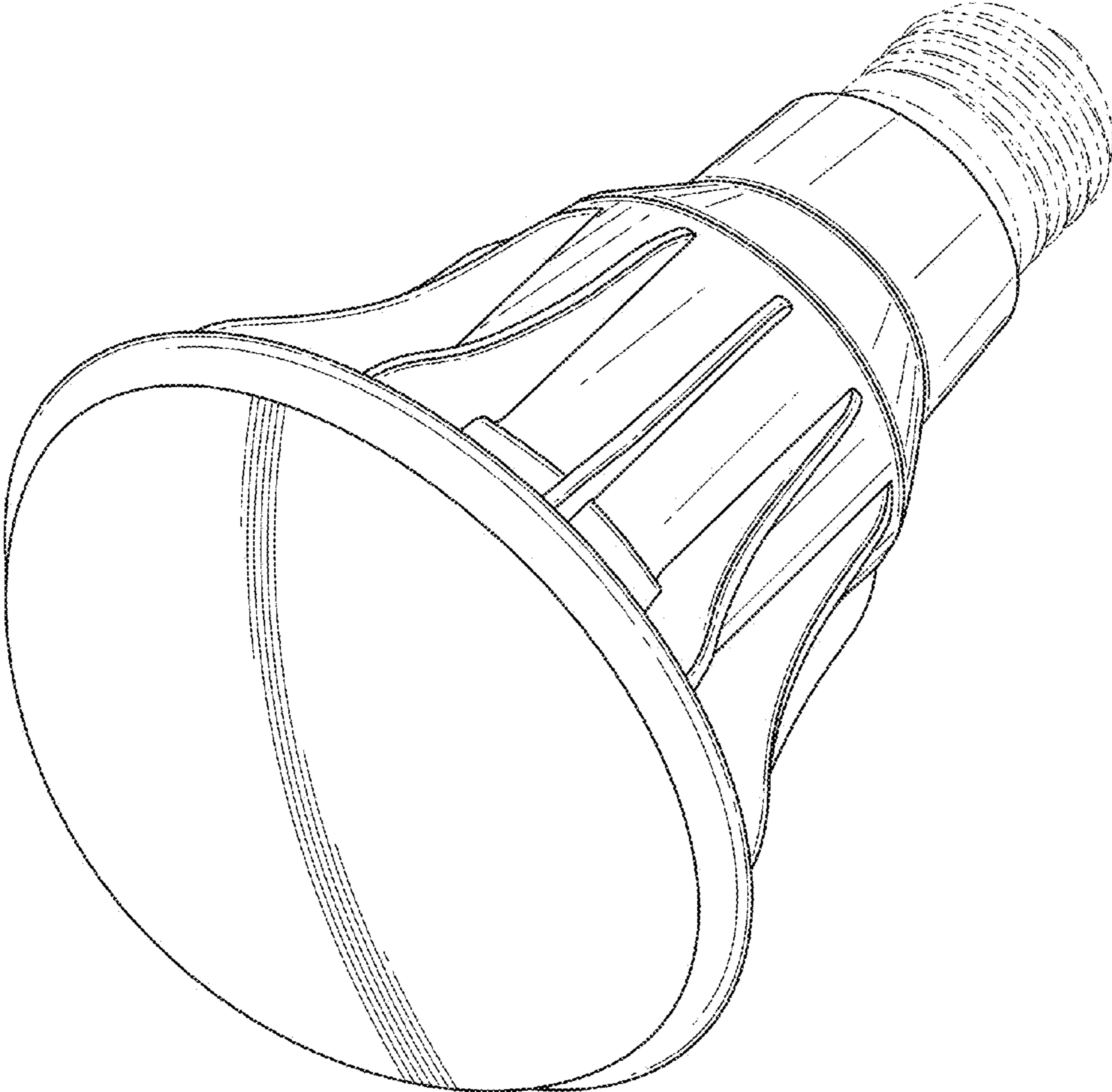


FIG. 1

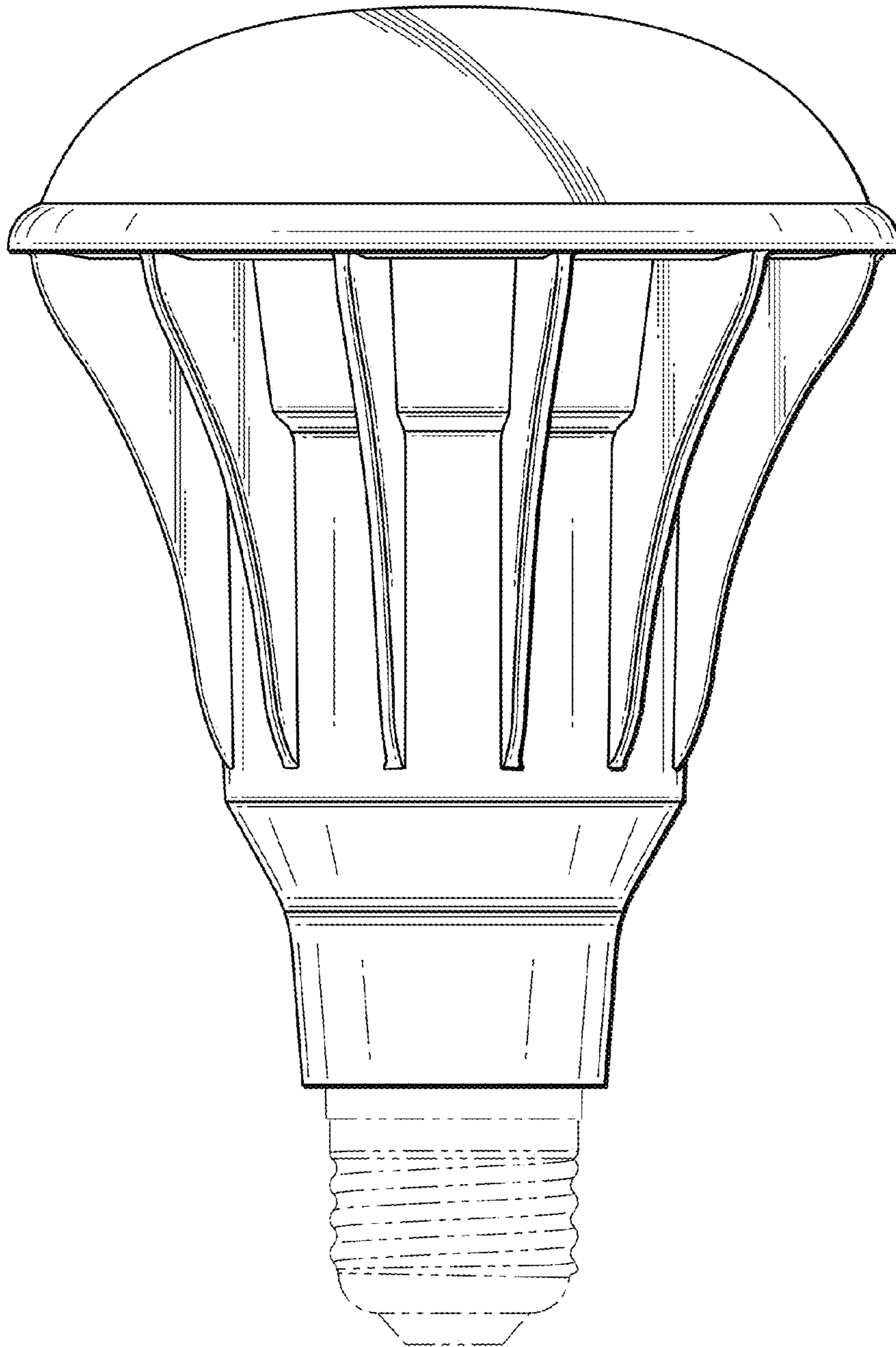


FIG. 2

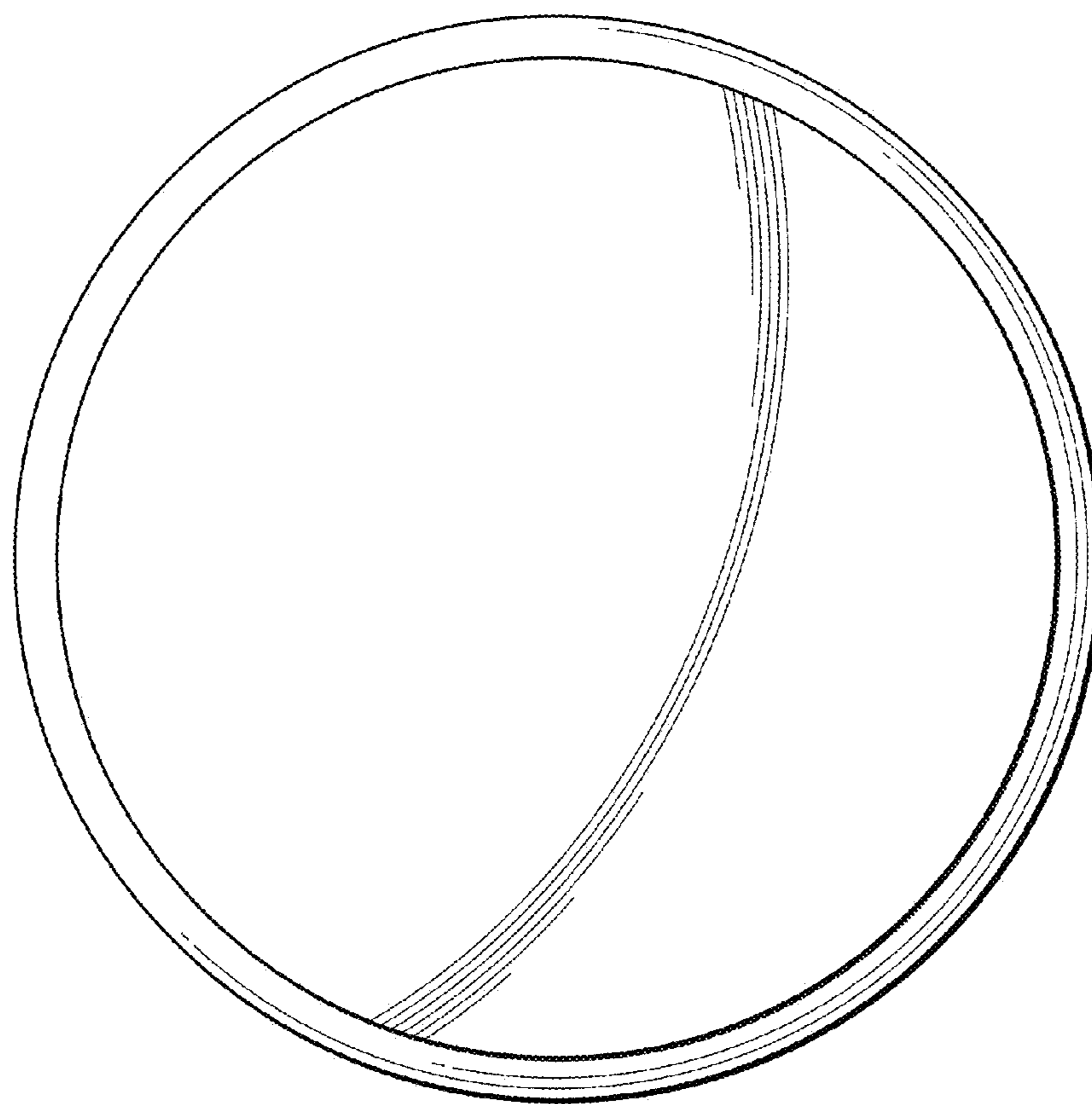


FIG. 3

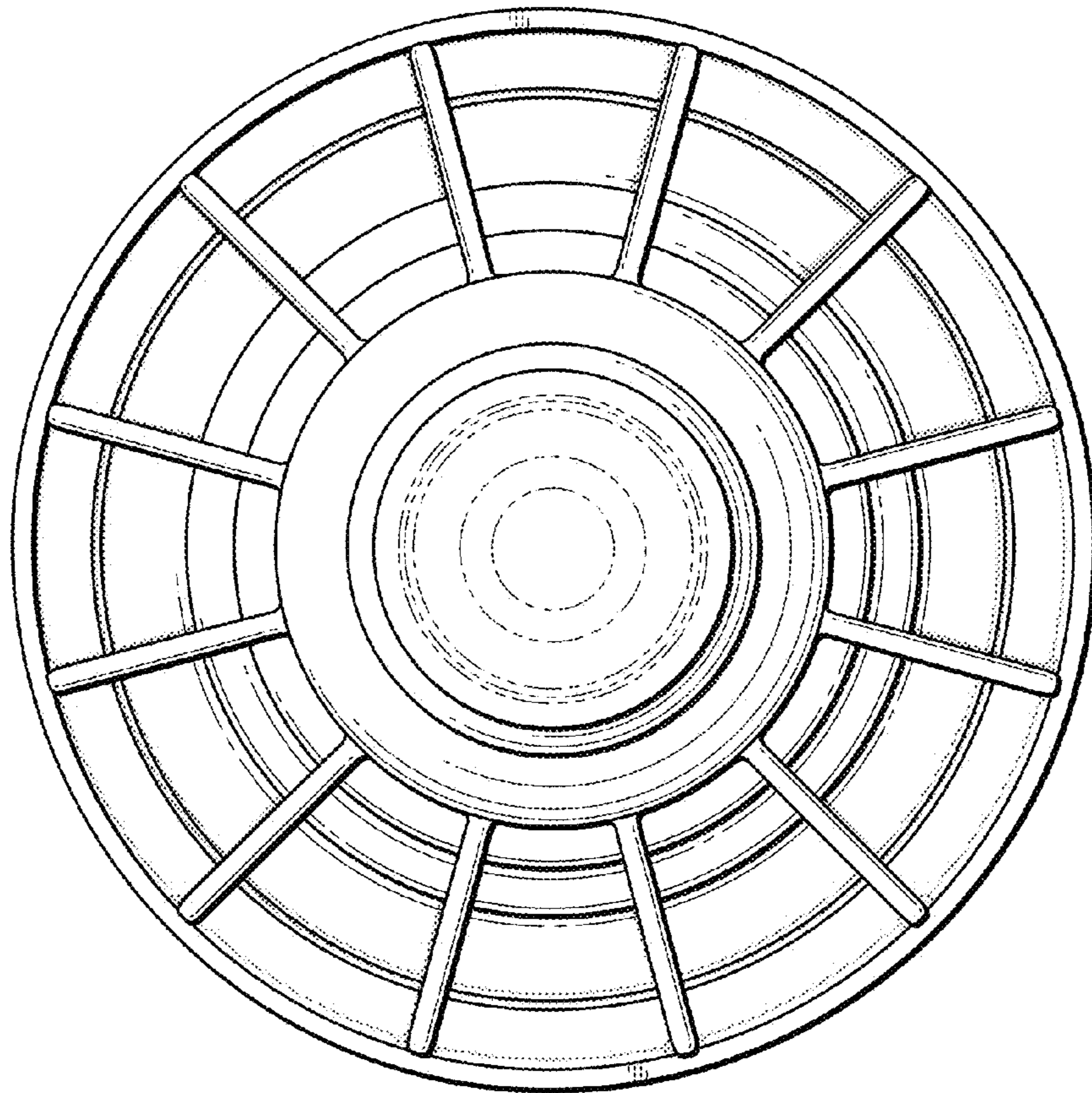


FIG. 4