



US00D713565S

(12) **United States Design Patent**  
**Yang**

(10) **Patent No.:** **US D713,565 S**

(45) **Date of Patent:** **\*\* Sep. 16, 2014**

(54) **LED LAMP**

(75) Inventor: **Haitao Yang**, San Jose, CA (US)

(73) Assignee: **Intematix Corporation**, Fremont, CA (US)

(\*\*) Term: **14 Years**

(21) Appl. No.: **29/428,748**

(22) Filed: **Aug. 2, 2012**

(51) **LOC (10) Cl.** ..... **26-04**

(52) **U.S. Cl.**  
USPC ..... **D26/2**

(58) **Field of Classification Search**  
USPC ..... D26/1-4; 313/313, 315, 316, 317, 318,  
313/493; 315/52, 53, 56, 57, 58  
See application file for complete search history.

(56) **References Cited**

**U.S. PATENT DOCUMENTS**

D610,722 S *	2/2010	Bi	.....	D26/2
D631,577 S *	1/2011	Yoshinobu et al.	.....	D26/2
D646,406 S *	10/2011	Tsai et al.	.....	D26/2
D679,843 S *	4/2013	Hsu et al.	.....	D26/2
D691,294 S *	10/2013	Hsu et al.	.....	D26/2

\* cited by examiner

*Primary Examiner* — Marcus Jackson

(74) *Attorney, Agent, or Firm* — Vista IP Law Group, LLP

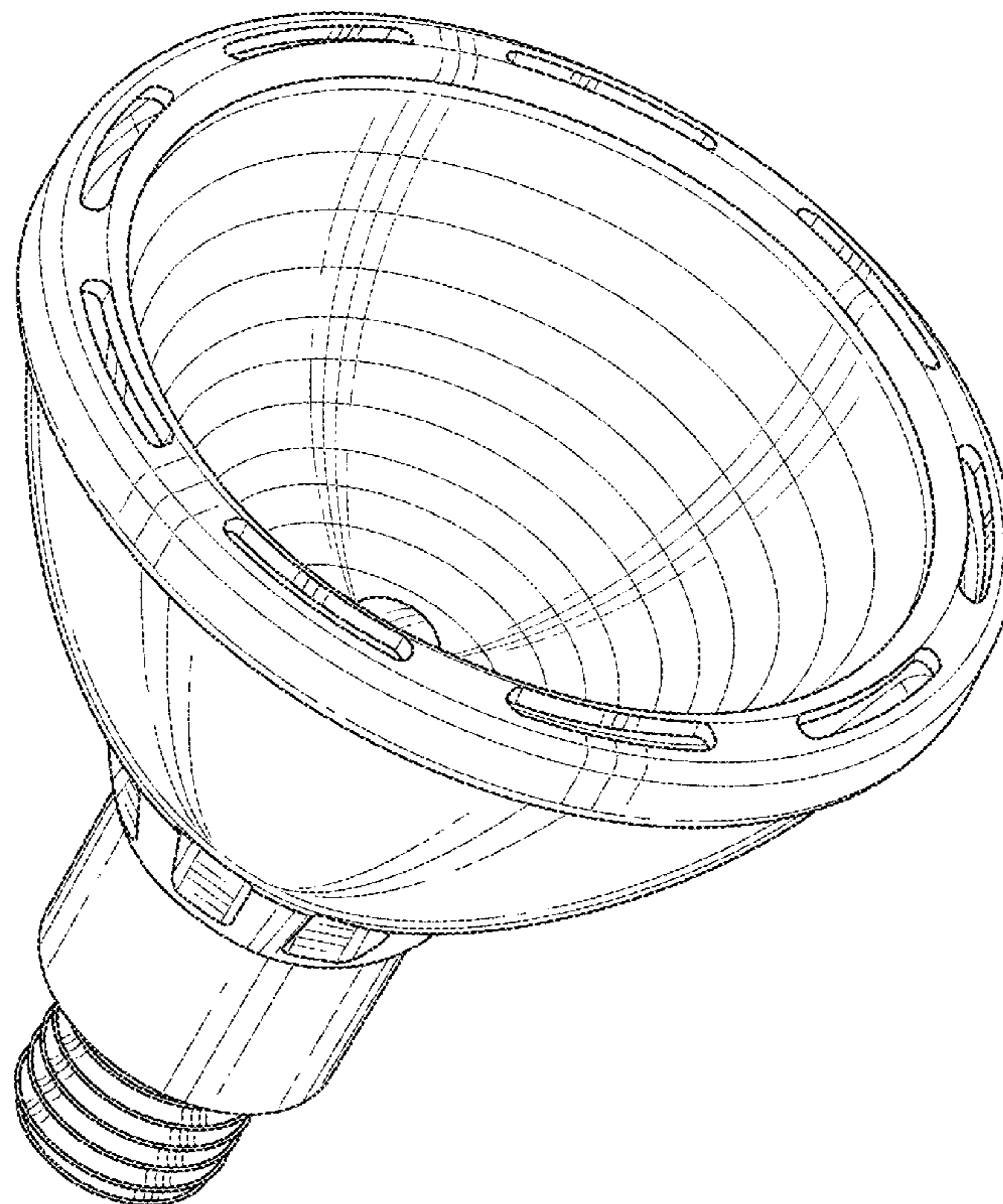
(57) **CLAIM**

The ornamental design for an LED lamp, as shown and described.

**DESCRIPTION**

FIG. 1 is a first perspective view of an LED lamp according to a first embodiment of our new design;  
 FIG. 2 is a side view of the LED lamp of the first embodiment;  
 FIG. 3 is a top view of the LED lamp of the first embodiment;  
 FIG. 4 is a bottom view of the LED lamp of the first embodiment;  
 FIG. 5 is a second perspective view of the LED lamp of the first embodiment;  
 FIG. 6 is a first perspective view of an LED lamp according to a second embodiment of our new design;  
 FIG. 7 is a side view of the LED lamp of the second embodiment;  
 FIG. 8 is a top view of the LED lamp of the second embodiment;  
 FIG. 9 is a bottom view of the LED lamp of the second embodiment; and,  
 FIG. 10 is a second perspective view of the LED lamp of the second embodiment.

**1 Claim, 10 Drawing Sheets**



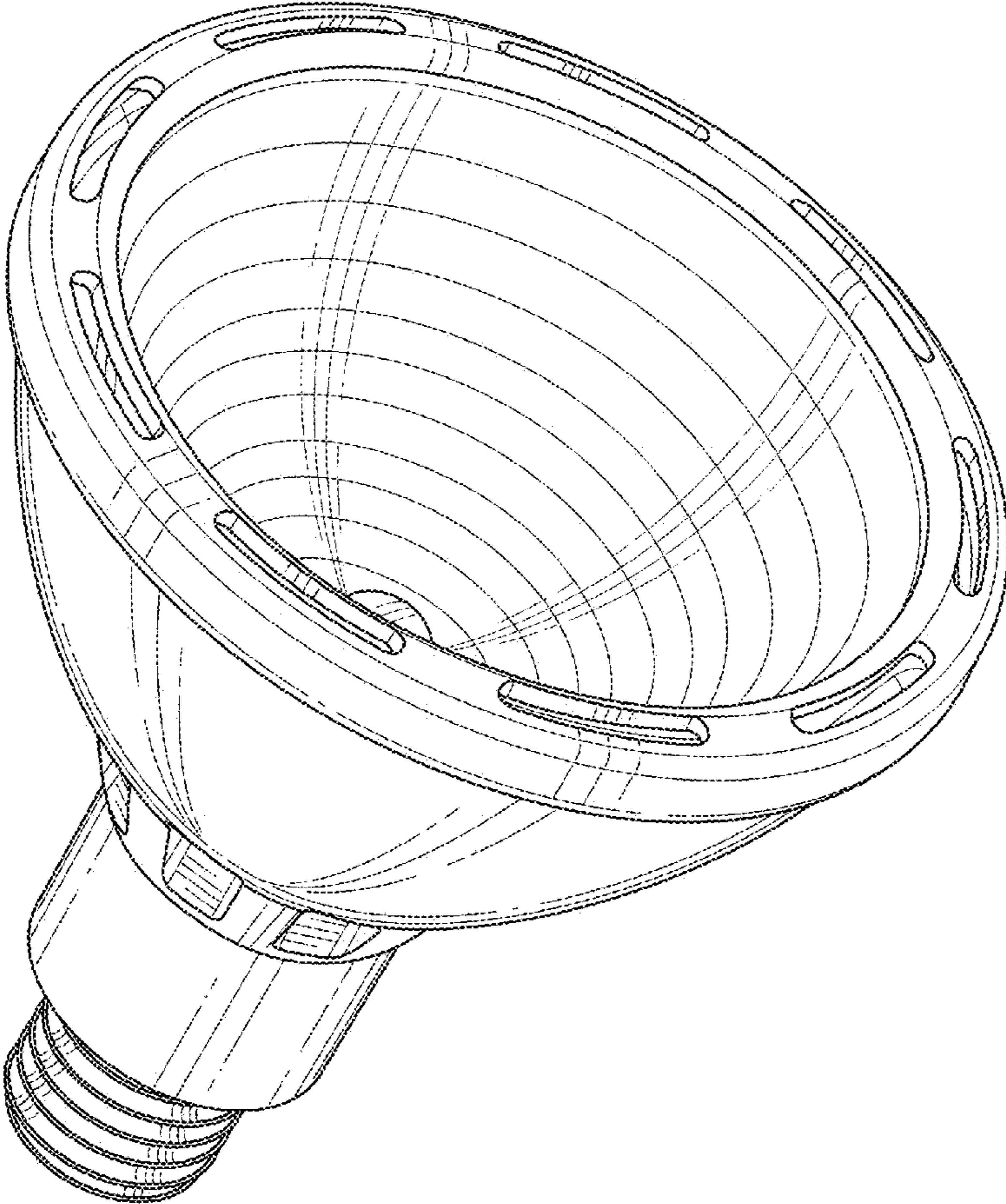


FIG. 1

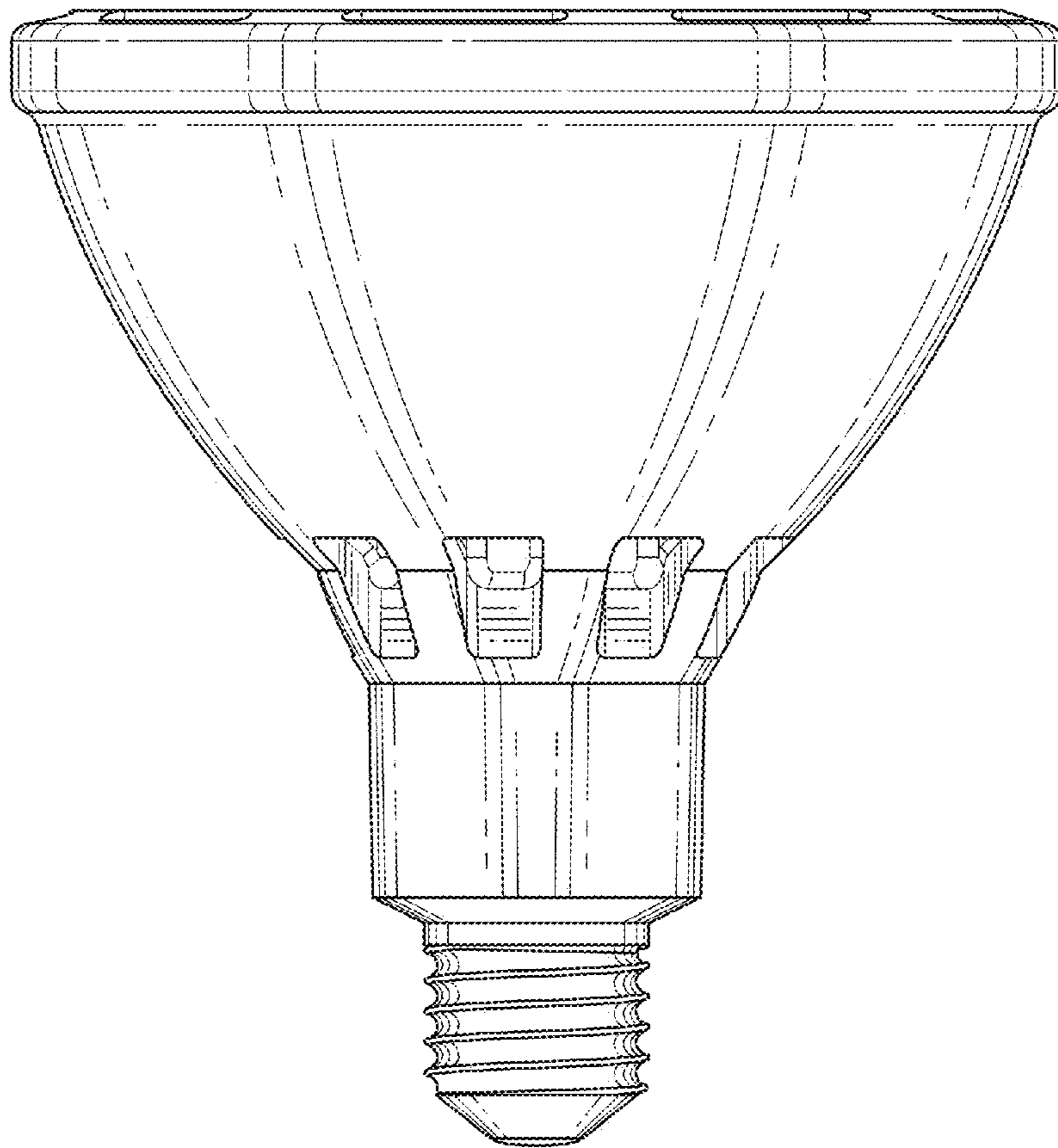


FIG. 2

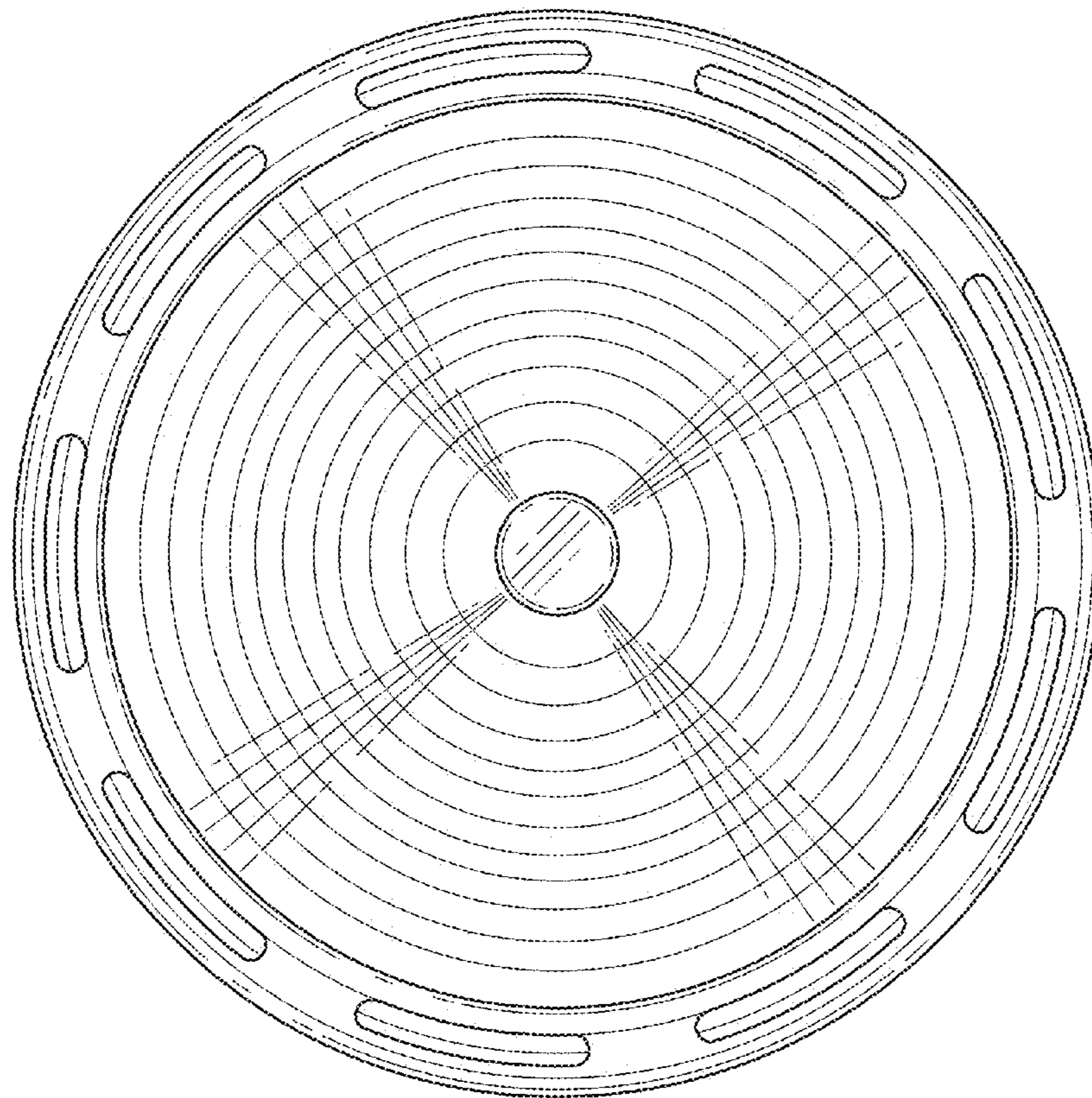


FIG. 3

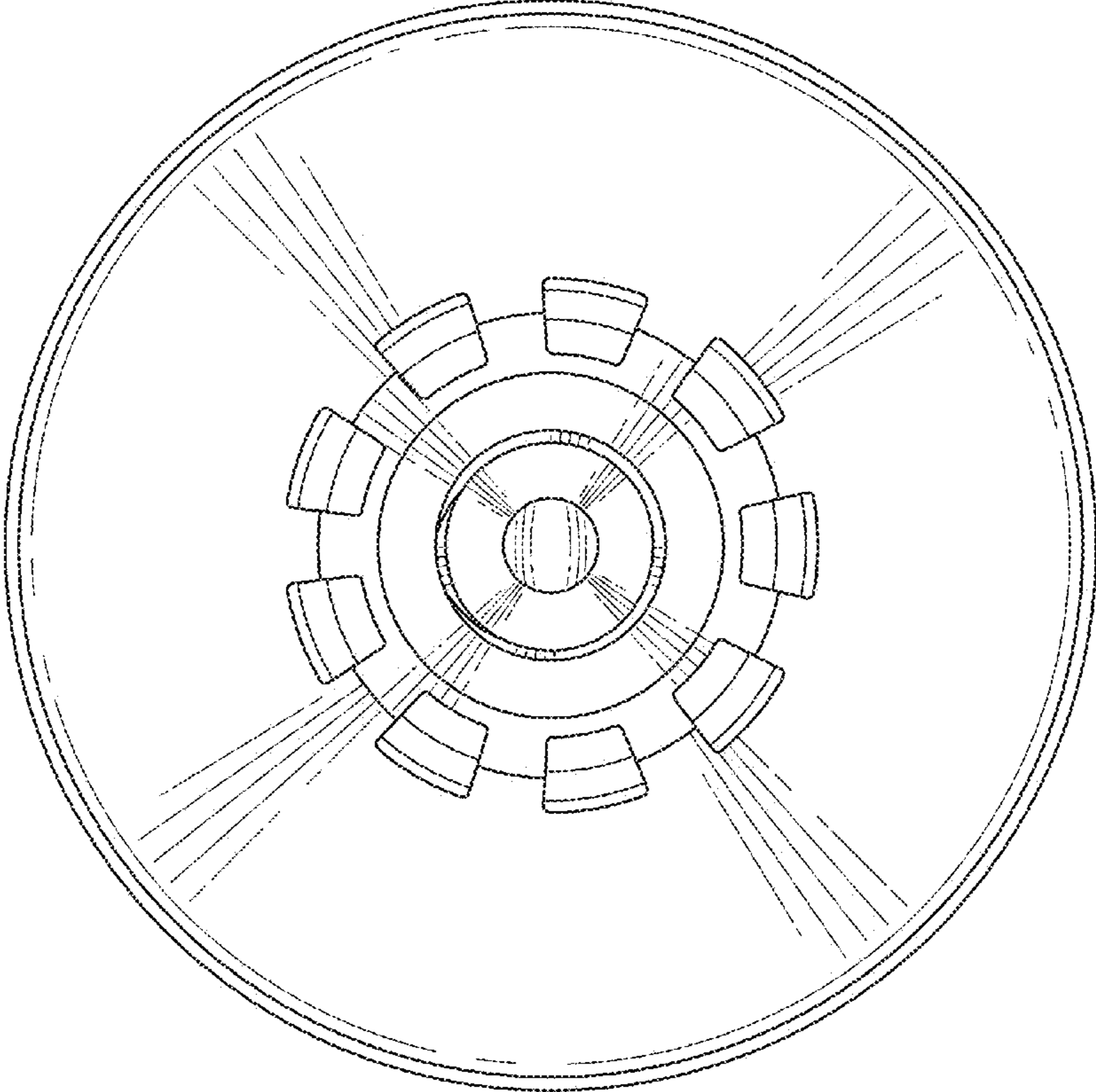


FIG. 4

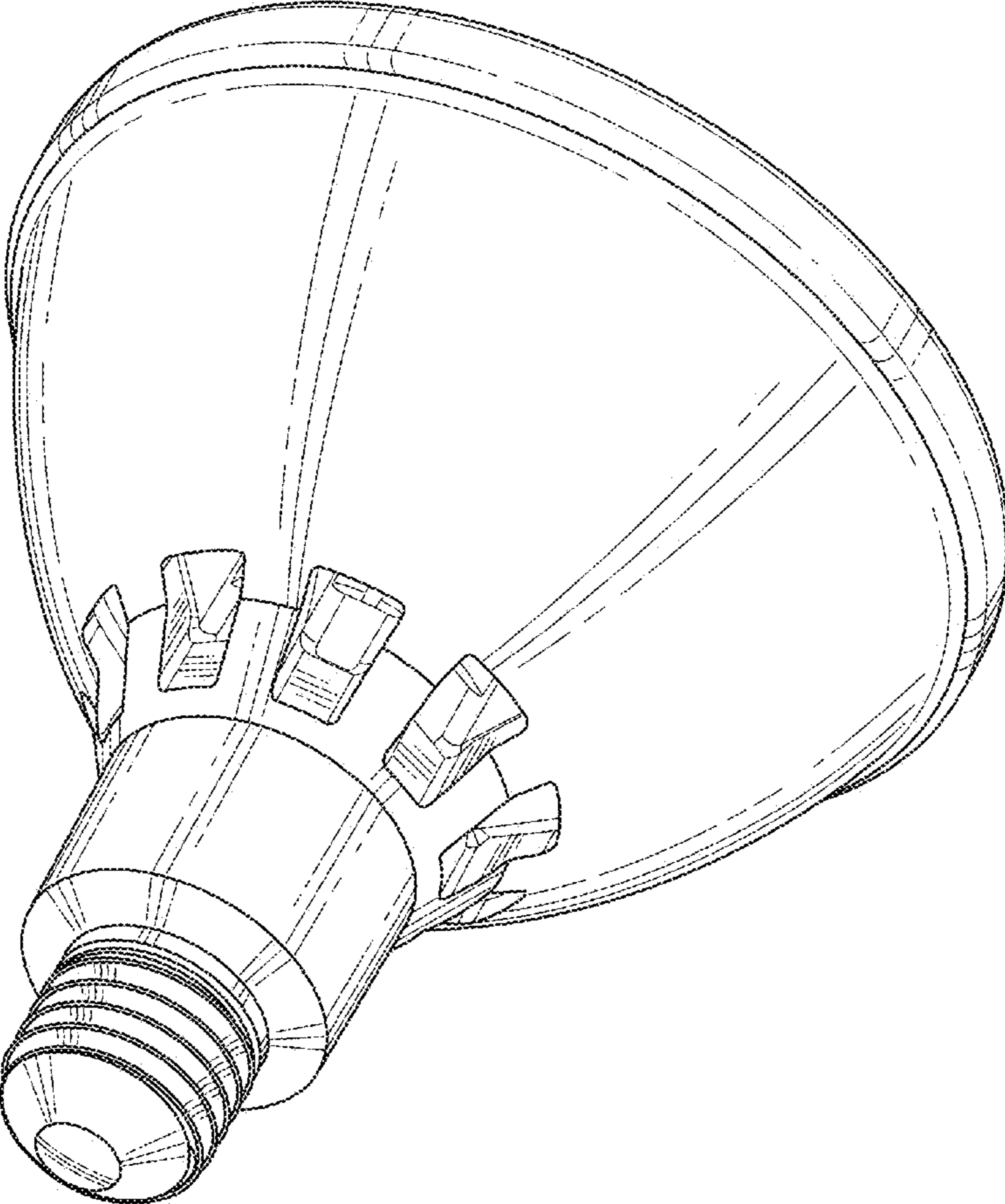


FIG. 5

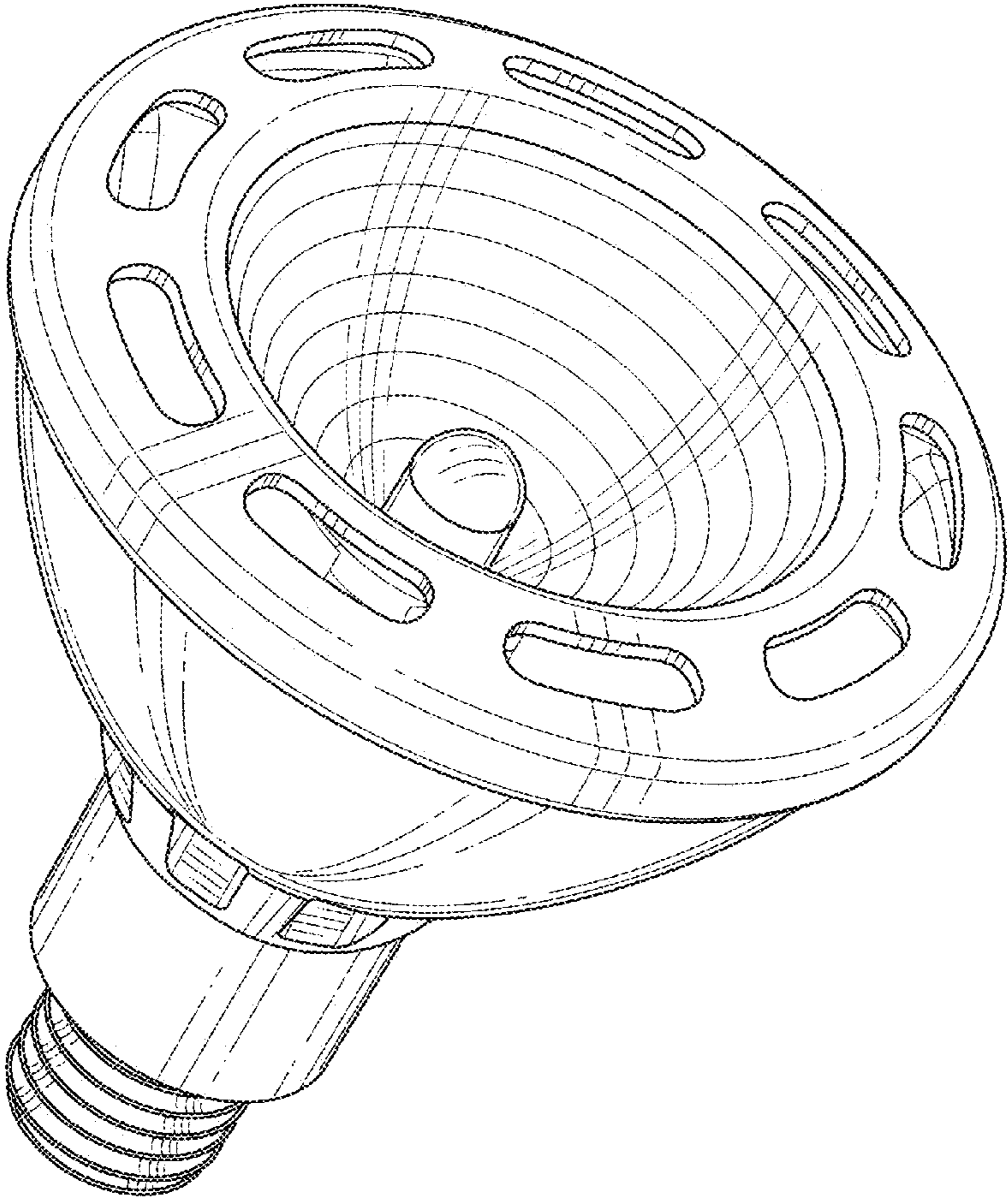


FIG. 6

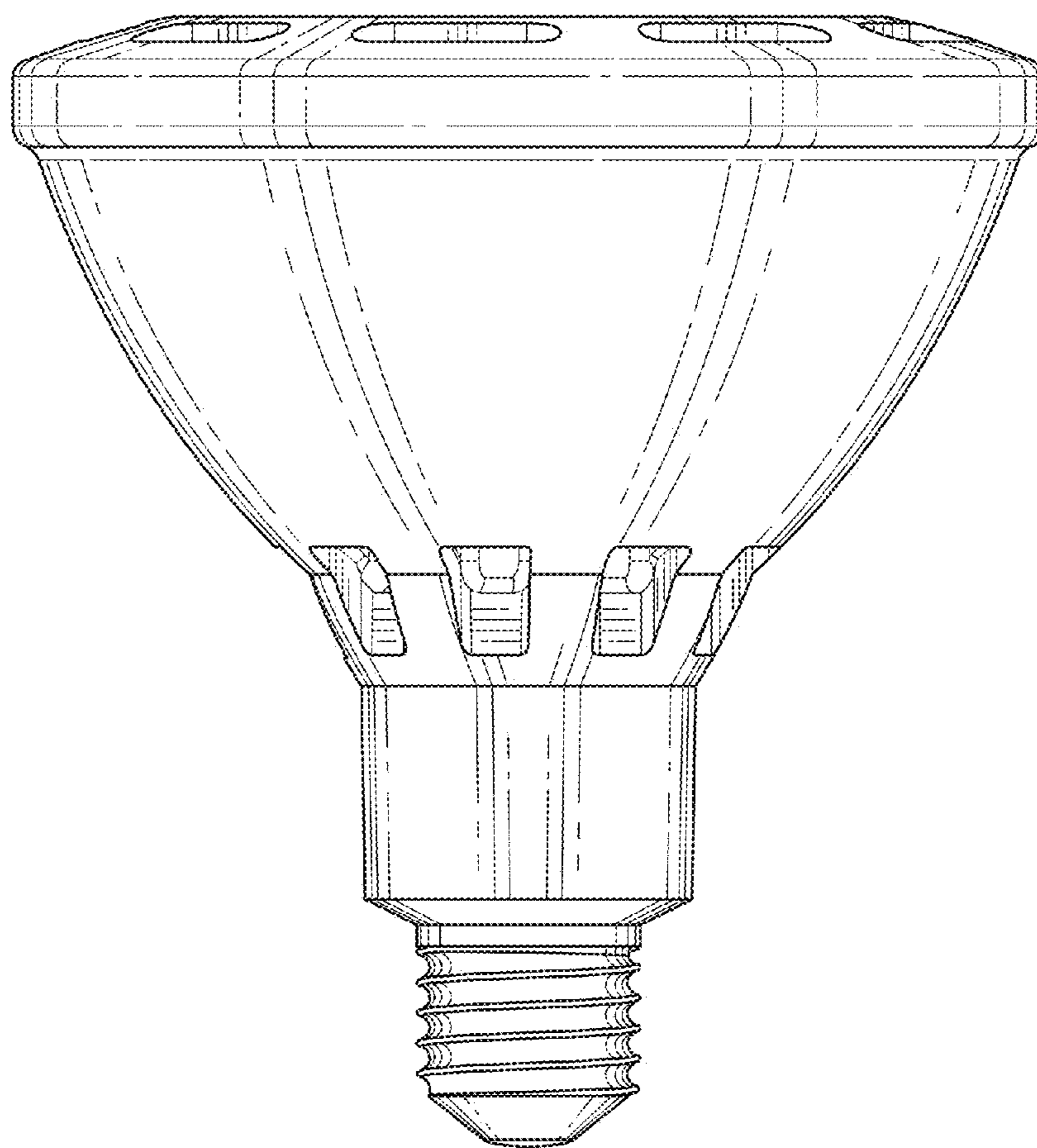


FIG. 7



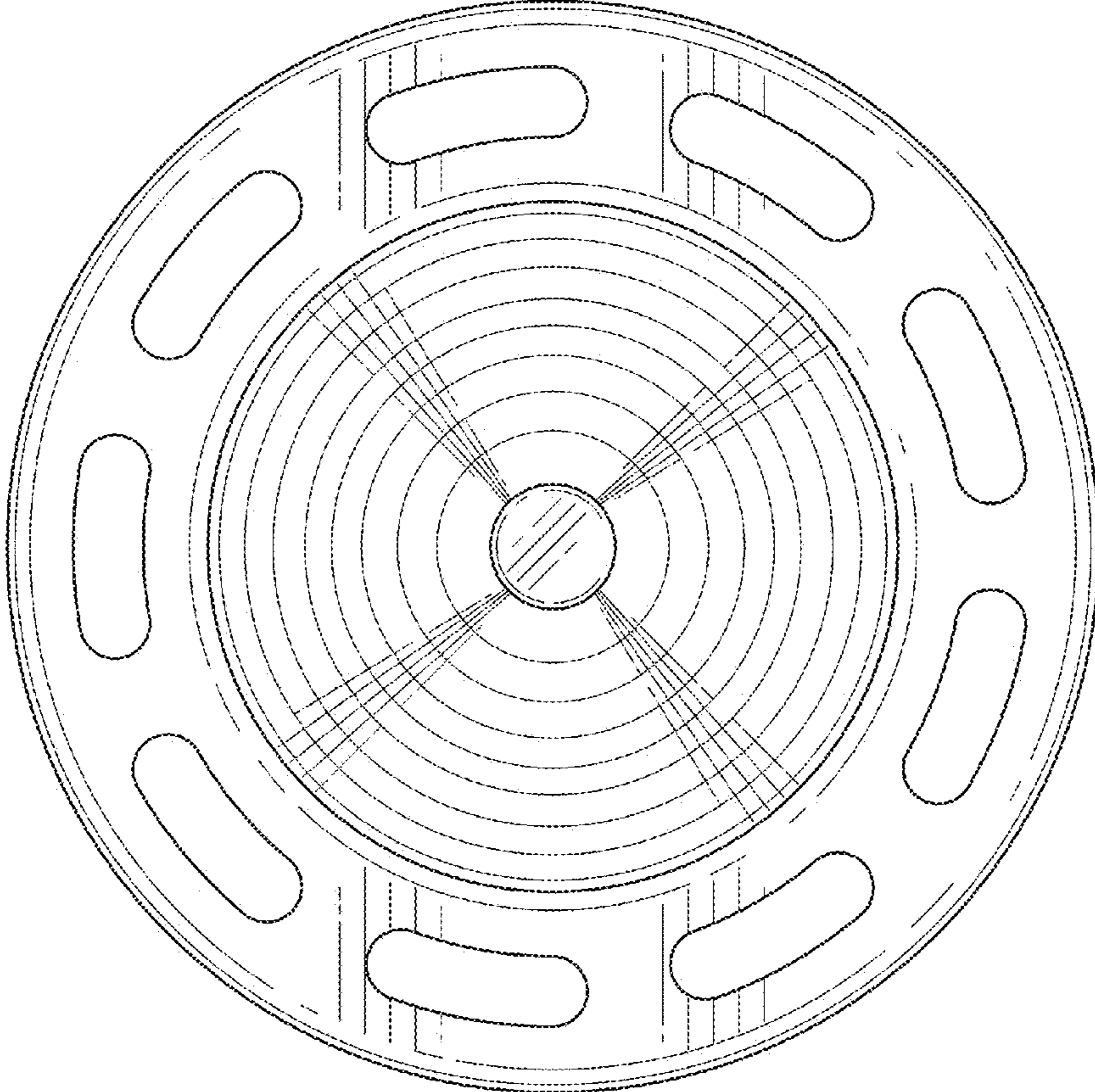


FIG. 8

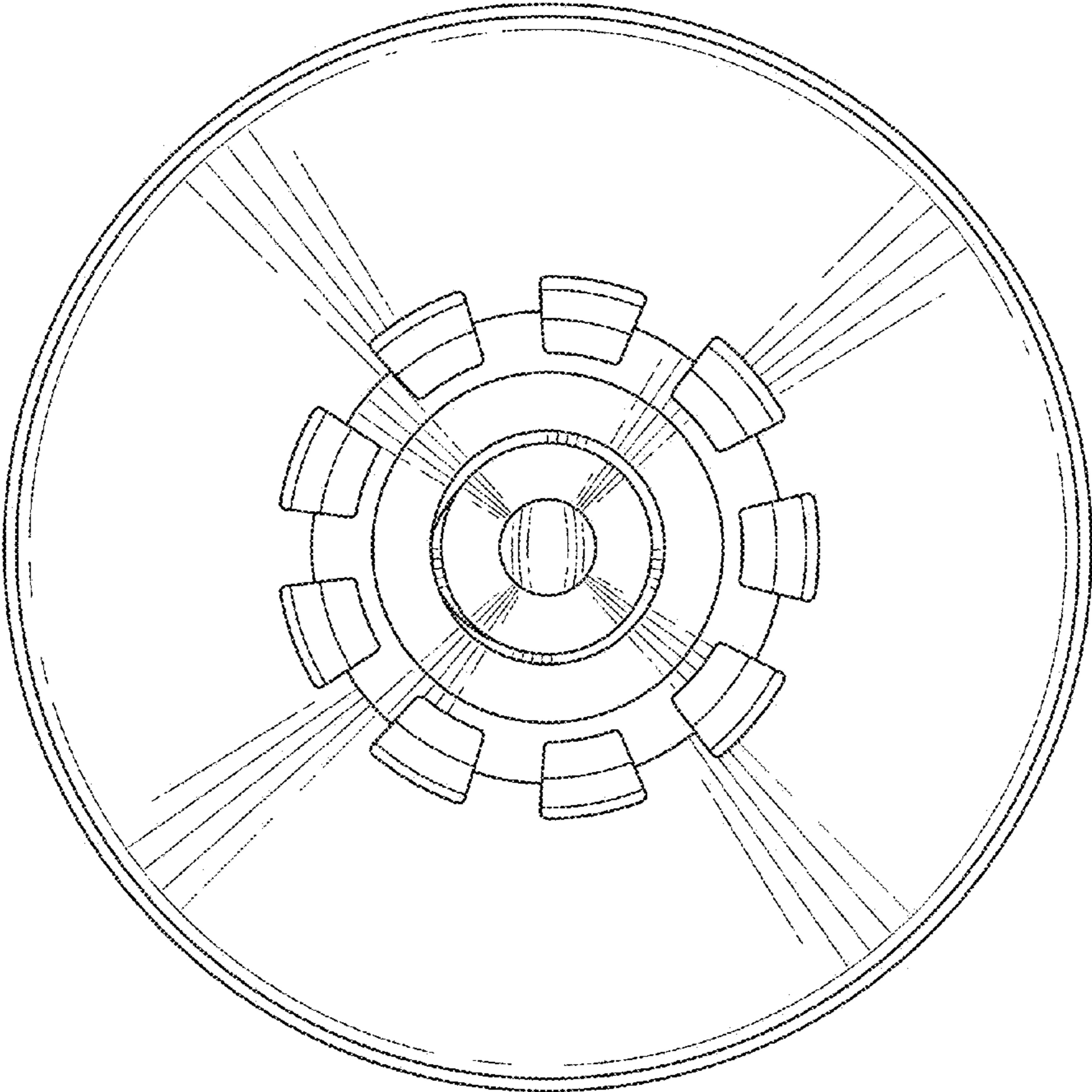


FIG. 9

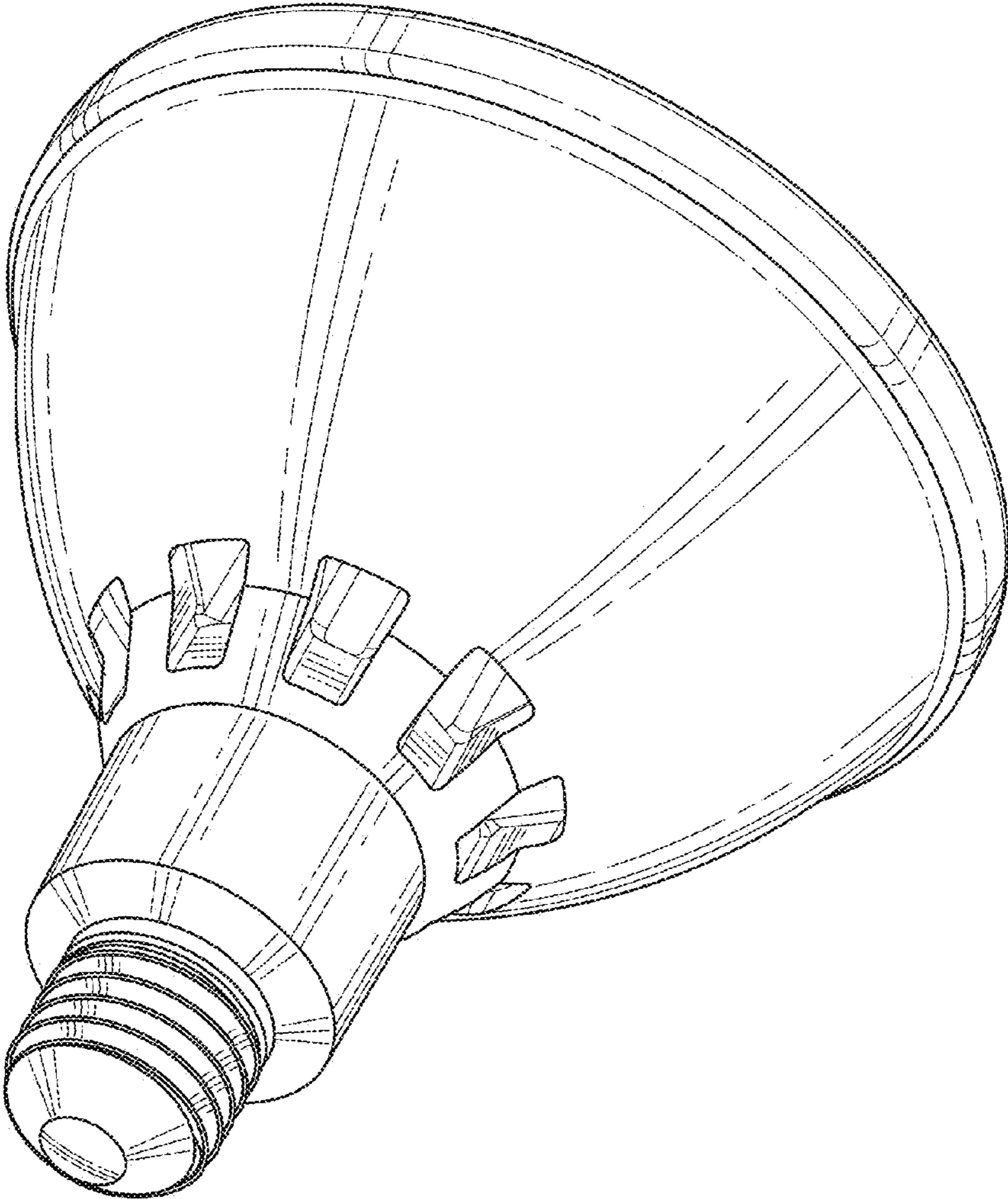


FIG. 10