



US00D713559S

(12) **United States Design Patent**  
**Jenkins**

(10) **Patent No.:** **US D713,559 S**

(45) **Date of Patent:** **\*\* Sep. 16, 2014**

(54) **WINDOW SASH EXTRUSION**

(56) **References Cited**

(71) Applicant: **Dallaire Industries Ltd.**, Levis (CA)

U.S. PATENT DOCUMENTS

(72) Inventor: **Martin Jenkins**, Beaumont (CA)

D378,545 S \* 3/1997 Dallaire et al. .... D25/124  
6,006,478 A \* 12/1999 Hubner et al. .... 52/204.5  
7,588,653 B2 \* 9/2009 Crandell et al. .... 156/109

(73) Assignee: **Dallaire Industries Ltd.**, Levis, Quebec (CA)

\* cited by examiner

(\*\*) Term: **14 Years**

*Primary Examiner* — Doris Clark

(21) Appl. No.: **29/449,771**

(74) *Attorney, Agent, or Firm* — Curtis B. Behmann; Bordon Ladnew Gervais LLP

(22) Filed: **Mar. 15, 2013**

(57) **CLAIM**

The ornamental design for window sash extrusion, as shown and described.

(51) **LOC (10) Cl.** ..... **25-01**

**DESCRIPTION**

(52) **U.S. Cl.**

USPC ..... **D25/124**

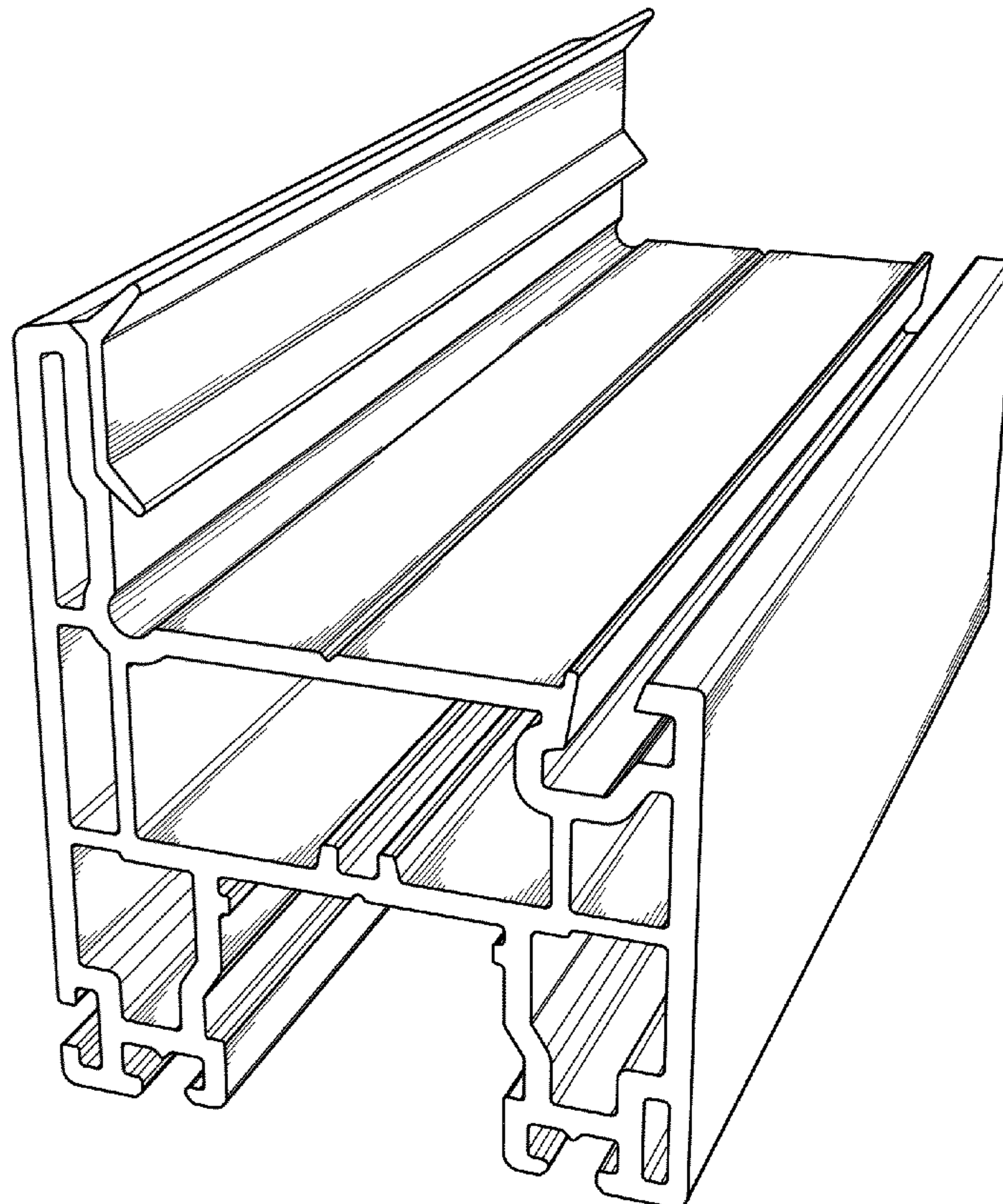
(58) **Field of Classification Search**

USPC ..... D25/124, 125; 52/204.1, 204.2, 204.5,  
52/204.51, 656.5, 656.6, 213, 215, 208,  
52/206, 212, 717.01, 209, 204.72, 579,  
52/793.1, 794.1, 216, 204.55, 656.2,  
52/656.7; 49/DIG. 2, 504, 501, 449, 180,  
49/183, 505

FIG. 1 is a perspective view of the window sash extrusion;  
FIG. 2 is a left side view thereof;  
FIG. 3 is a front view thereof;  
FIG. 4 is a right side view thereof;  
FIG. 5 is a top view thereof;  
FIG. 6 is a rear view thereof; and,  
FIG. 7 is a bottom view thereof.

See application file for complete search history.

**1 Claim, 7 Drawing Sheets**



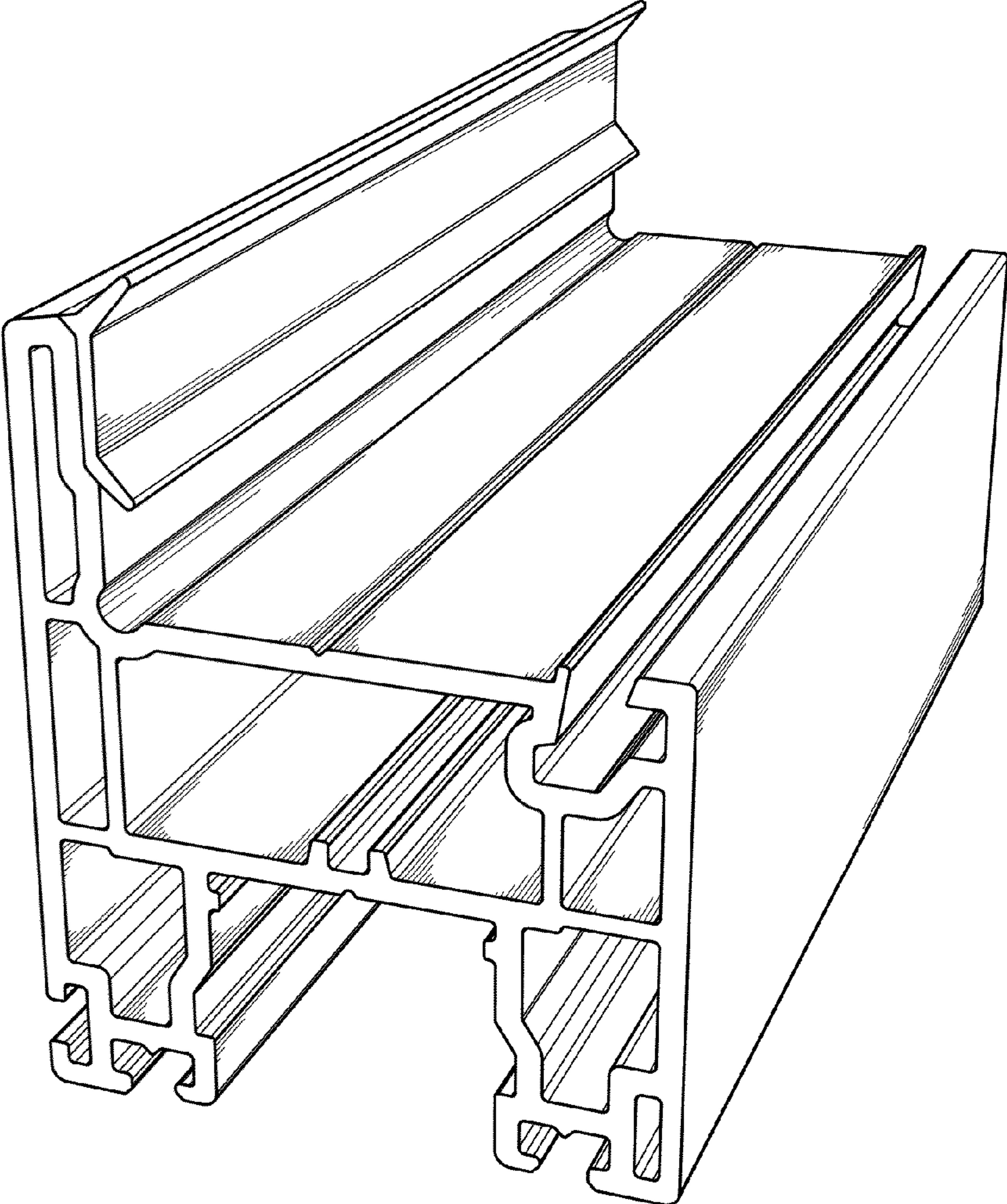


FIG. 1

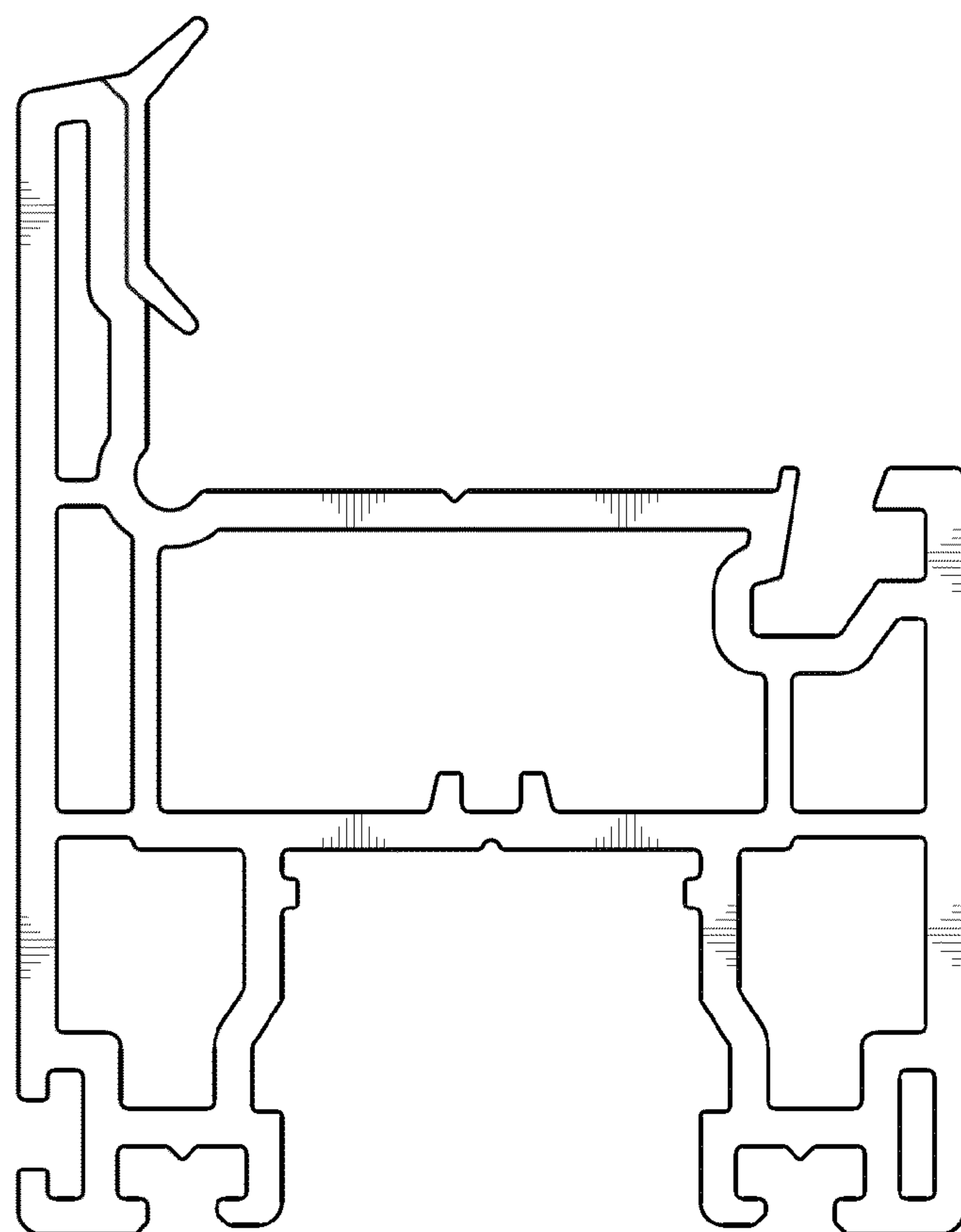


FIG. 2

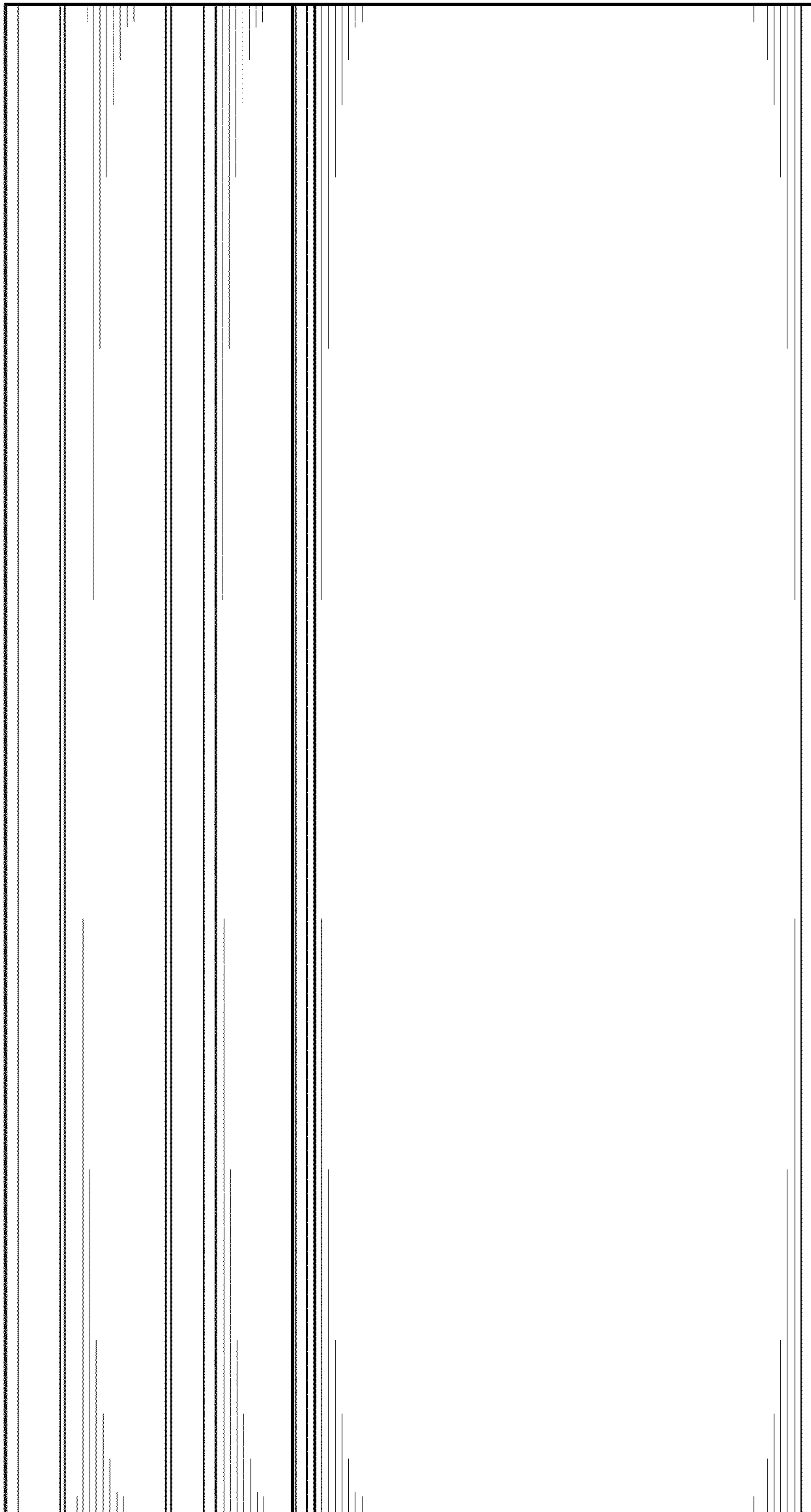
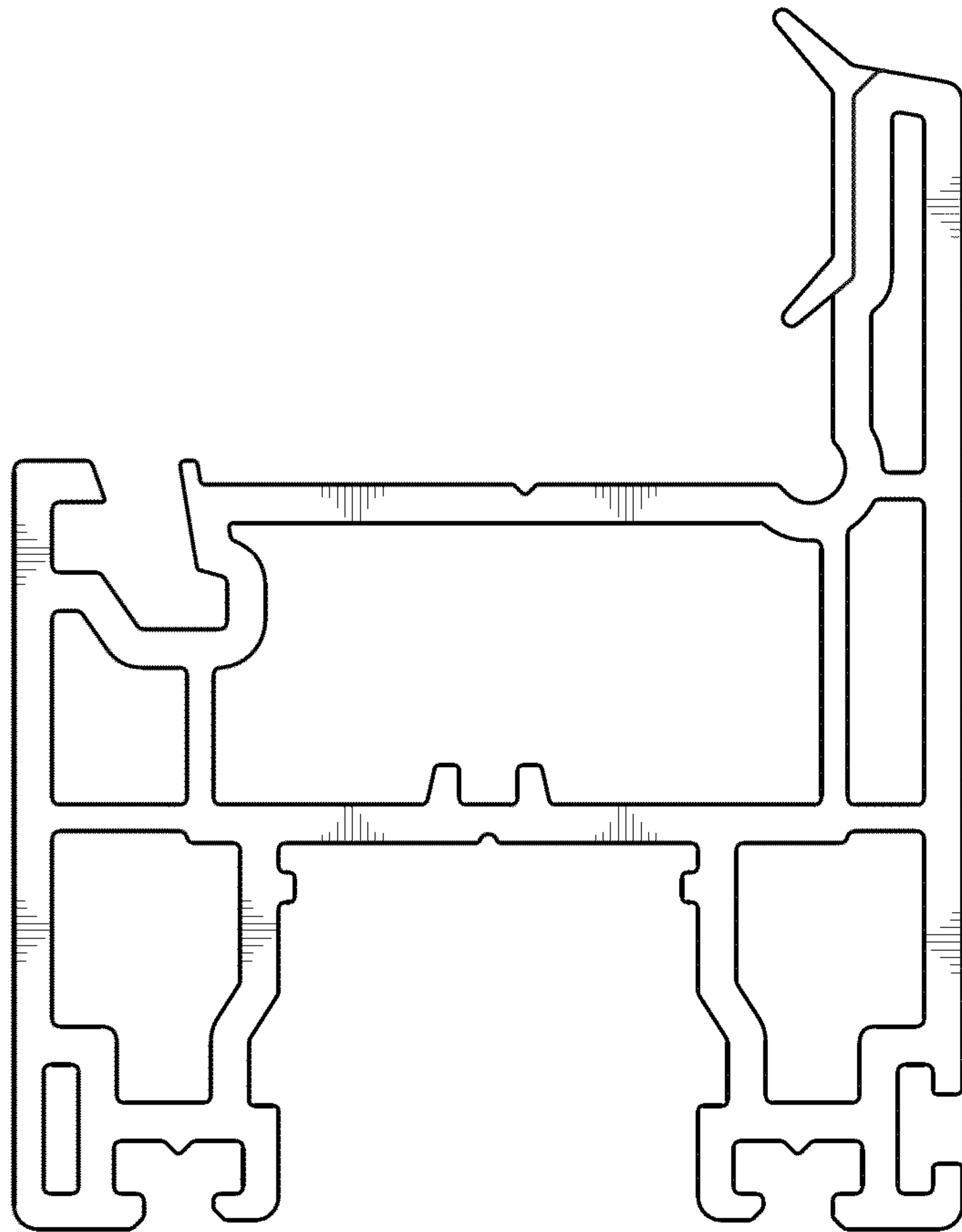


FIG. 3





**FIG. 4**

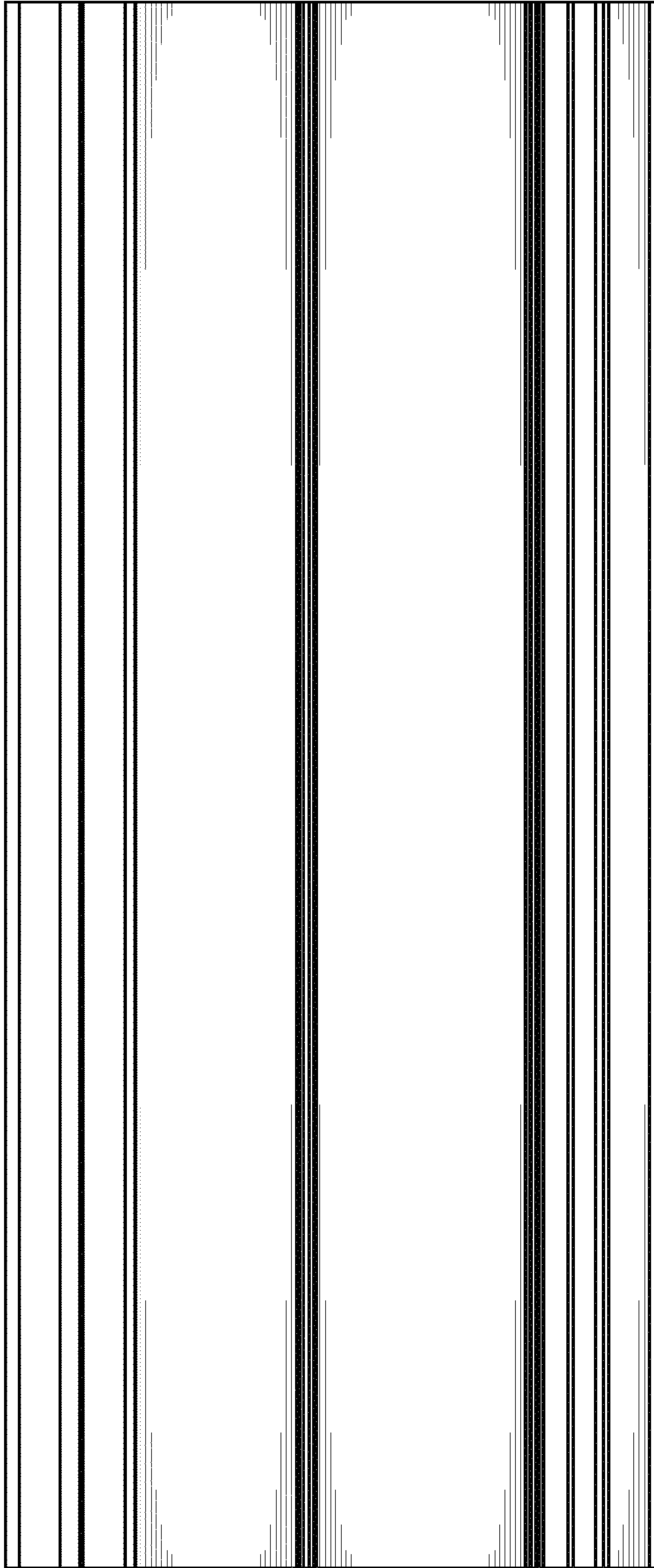
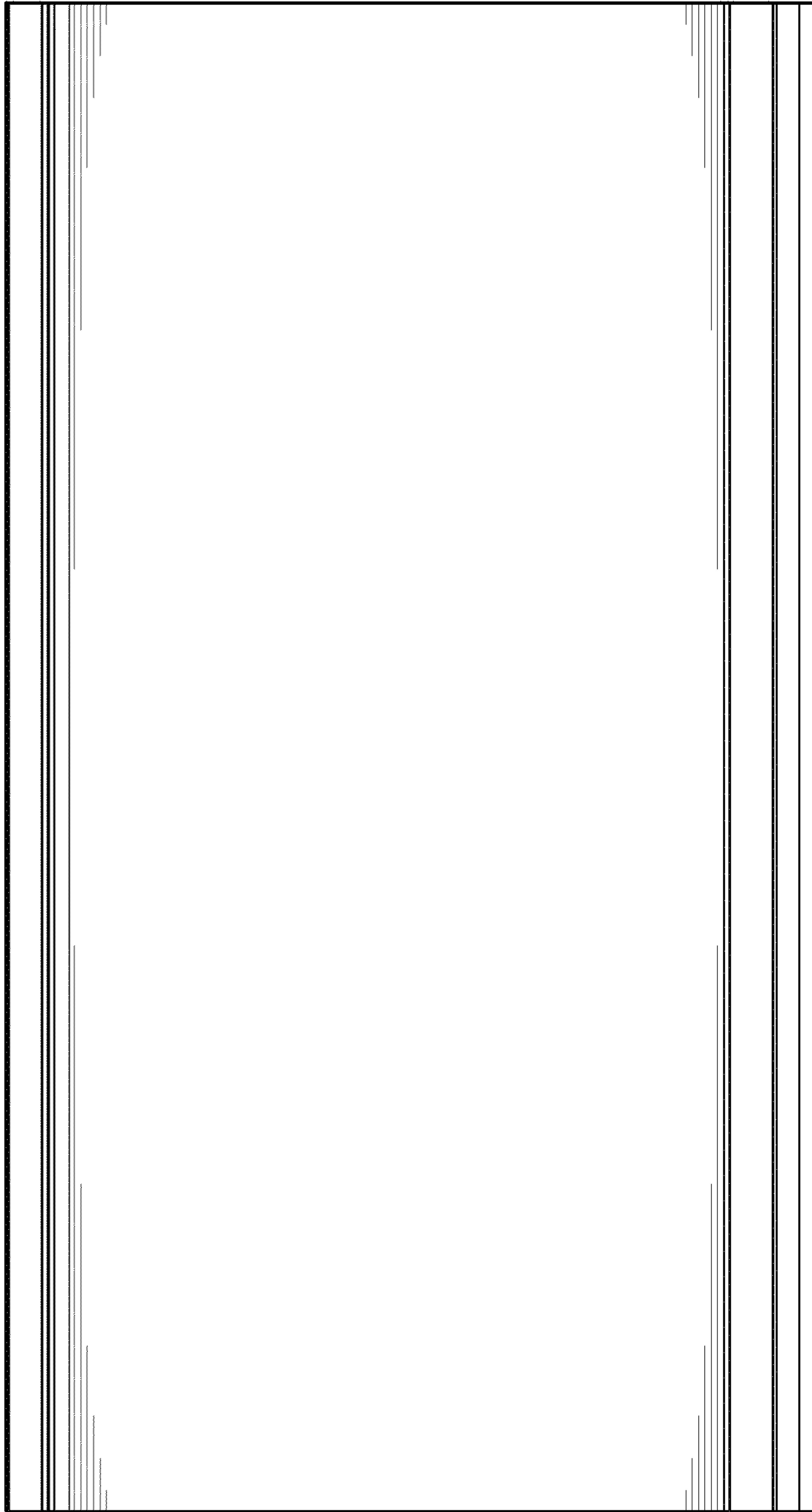
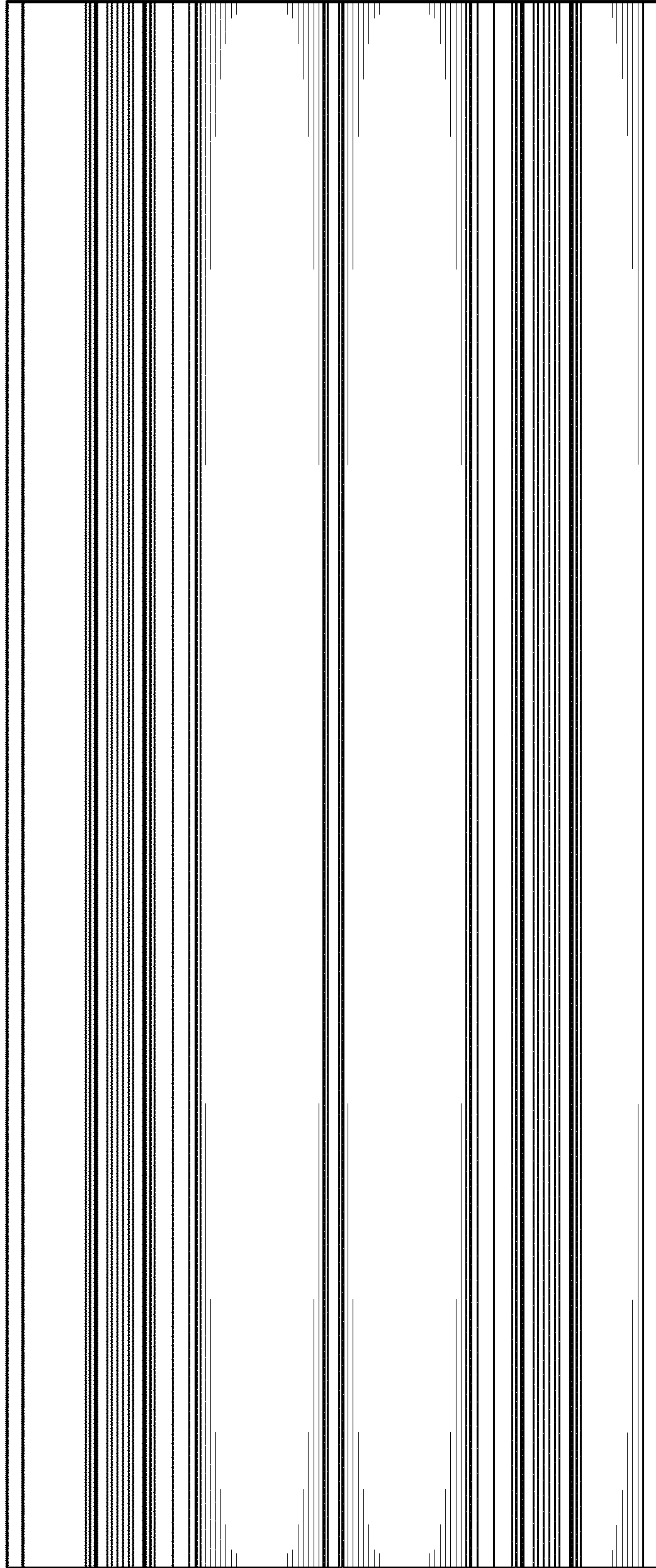


FIG. 5



**FIG. 6**



**FIG. 7**