



US00D713557S

(12) **United States Design Patent**  
**Stankay**

(10) **Patent No.:** **US D713,557 S**

(45) **Date of Patent:** **\*\* Sep. 16, 2014**

(54) **WINDOW FRAME EXTRUSION**

(71) Applicant: **Chelsea Building Products, Inc.**,  
Oakmont, PA (US)

(72) Inventor: **Eric Stankay**, Gibsonia, PA (US)

(73) Assignee: **Chelsea Building Products, Inc.**,  
Oakmont, PA (US)

(\*\*) Term: **14 Years**

(21) Appl. No.: **29/444,066**

(22) Filed: **Jan. 25, 2013**

(51) **LOC (10) Cl.** ..... **25-01**

(52) **U.S. Cl.**  
USPC ..... **D25/124**

(58) **Field of Classification Search**  
USPC ..... D25/124, 125; 52/204.1, 204.2, 204.5,  
52/204.51, 656.5, 656.6, 213, 215, 208,  
52/206, 212, 717.01, 209, 204.72, 579,  
52/793.1, 794.1, 216, 204.55, 656.2,  
52/656.7; 49/DIG. 2, 504, 501, 449, 180,  
49/183, 505

See application file for complete search history.

(56) **References Cited**

U.S. PATENT DOCUMENTS

4,259,813 A \* 4/1981 Winner et al. .... 49/504  
6,334,283 B1 \* 1/2002 Edger ..... 52/204.1  
D591,430 S \* 4/2009 Campbell et al. .... D25/124

\* cited by examiner

*Primary Examiner* — Doris Clark

(74) *Attorney, Agent, or Firm* — Drinker Biddle & Reath  
LLP

(57) **CLAIM**

The ornamental design for a window frame extrusion, as  
shown and described.

**DESCRIPTION**

FIG. 1 is a perspective view of a patio door frame extrusion  
according to the present invention, the broken edge indicating  
that the length of the extrusion continues.

FIG. 2 is a left side view of the window frame extrusion of  
FIG. 1.

FIG. 3 is a right side view of the window frame extrusion of  
FIG. 1.

FIG. 4 is a top view of the window frame extrusion of FIG. 1.

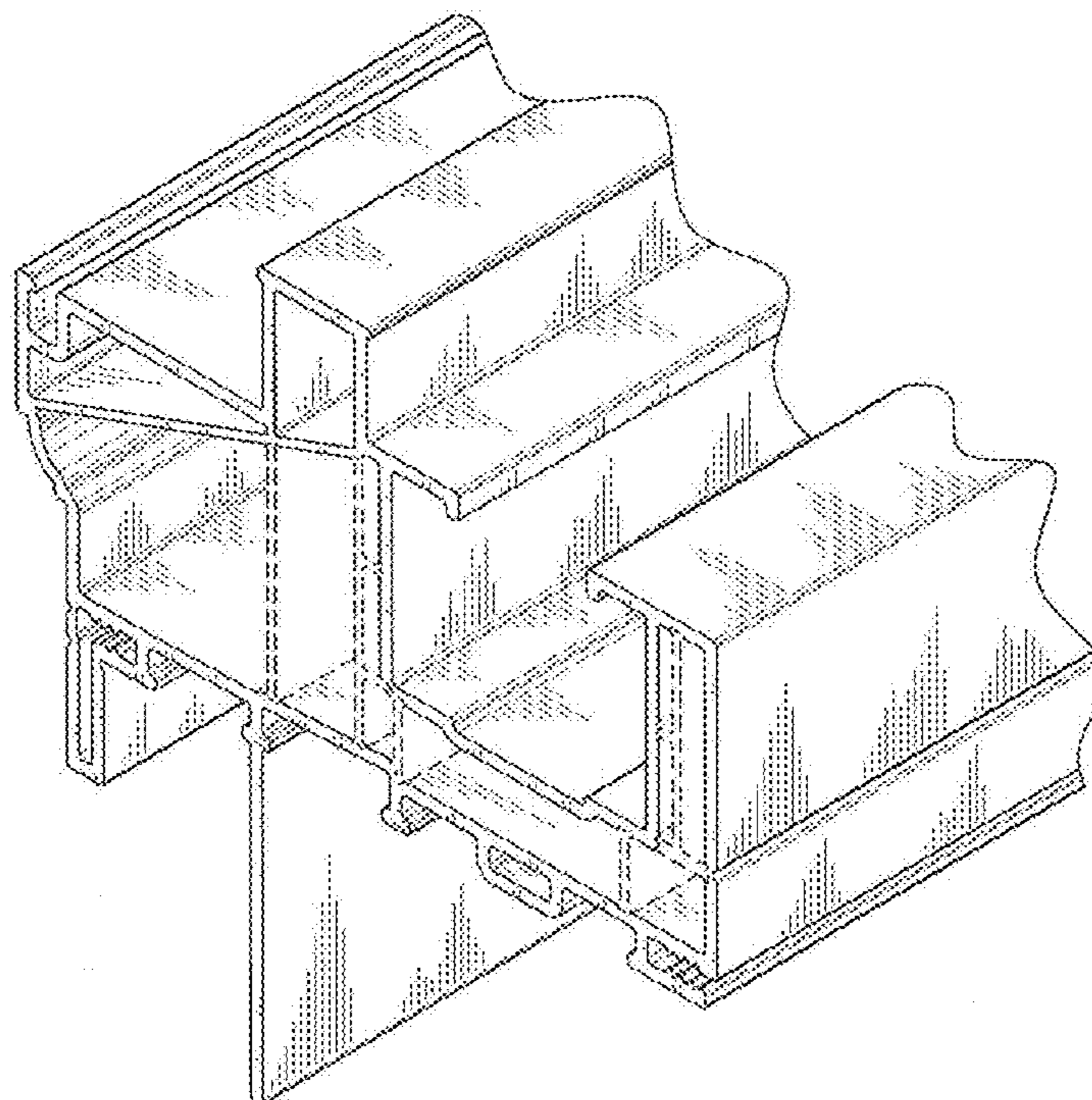
FIG. 5 is a bottom view of the window frame extrusion of  
FIG. 1.

FIG. 6 is a front elevation view of the window frame extrusion  
of FIG. 1; and,

FIG. 7 is a rear elevation view of the window frame extrusion  
of FIG. 1.

The portions of the design shown in dashed lines do not form  
a part of the claimed invention.

**1 Claim, 4 Drawing Sheets**



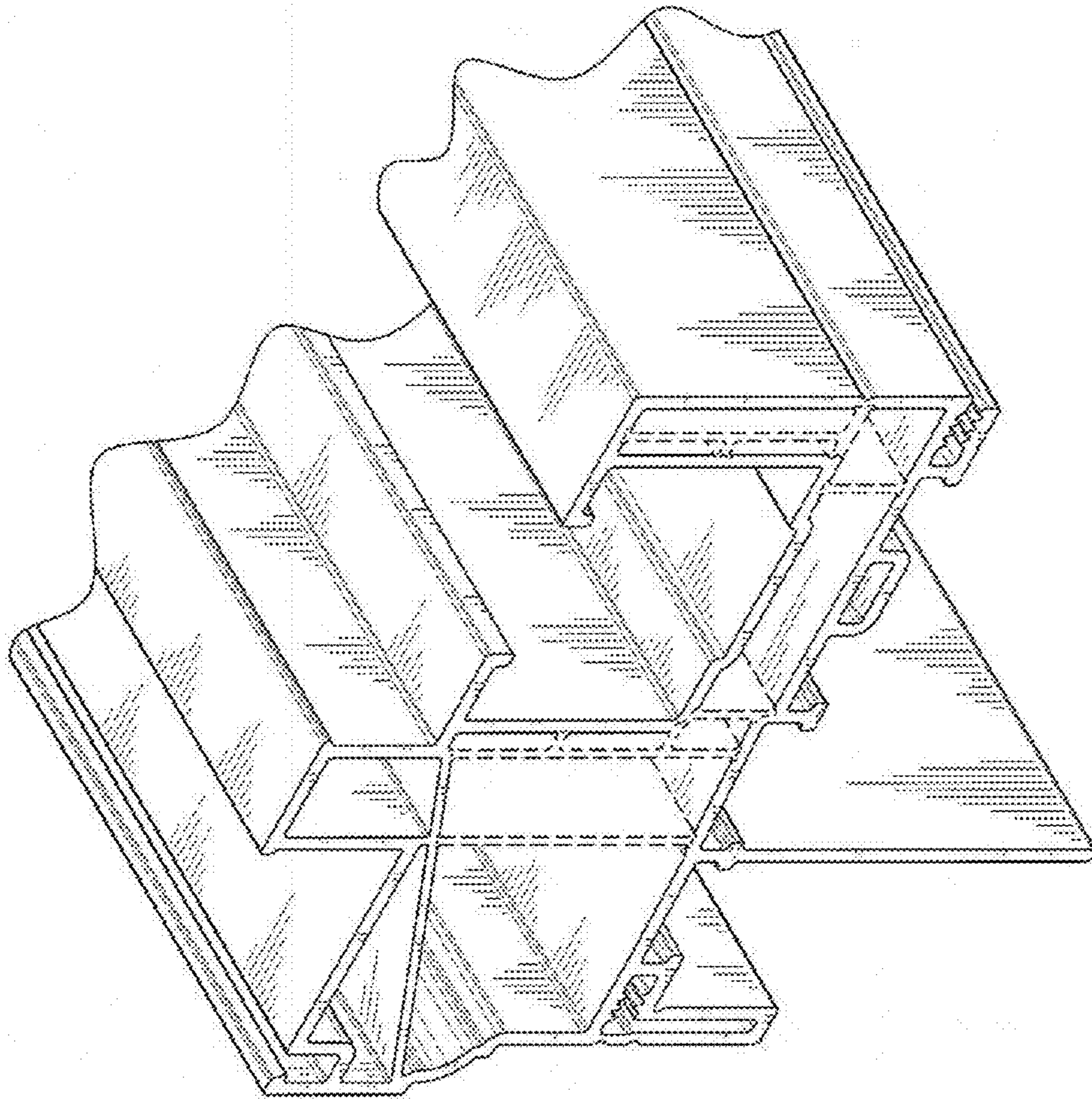


FIG. 1

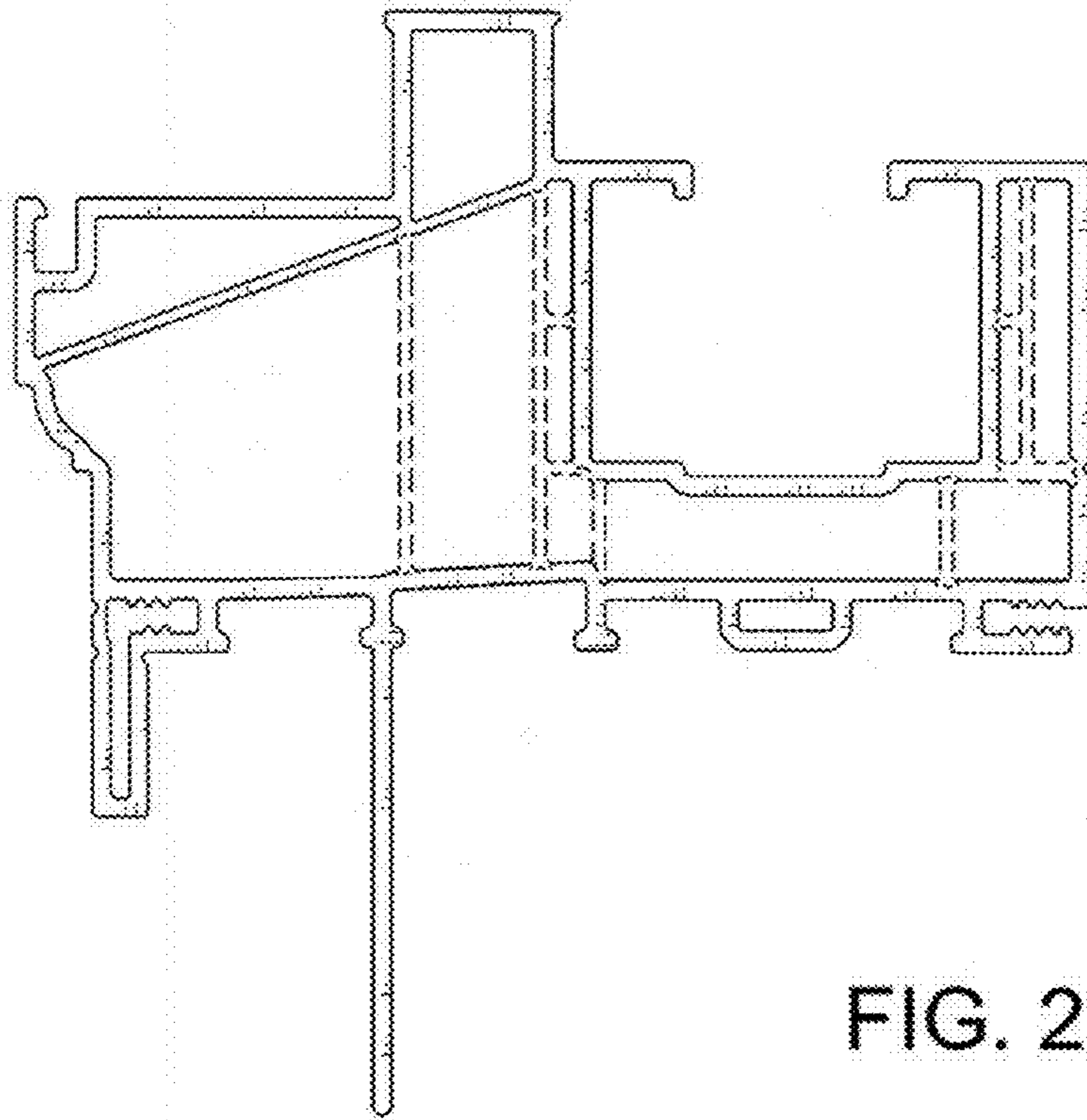


FIG. 2

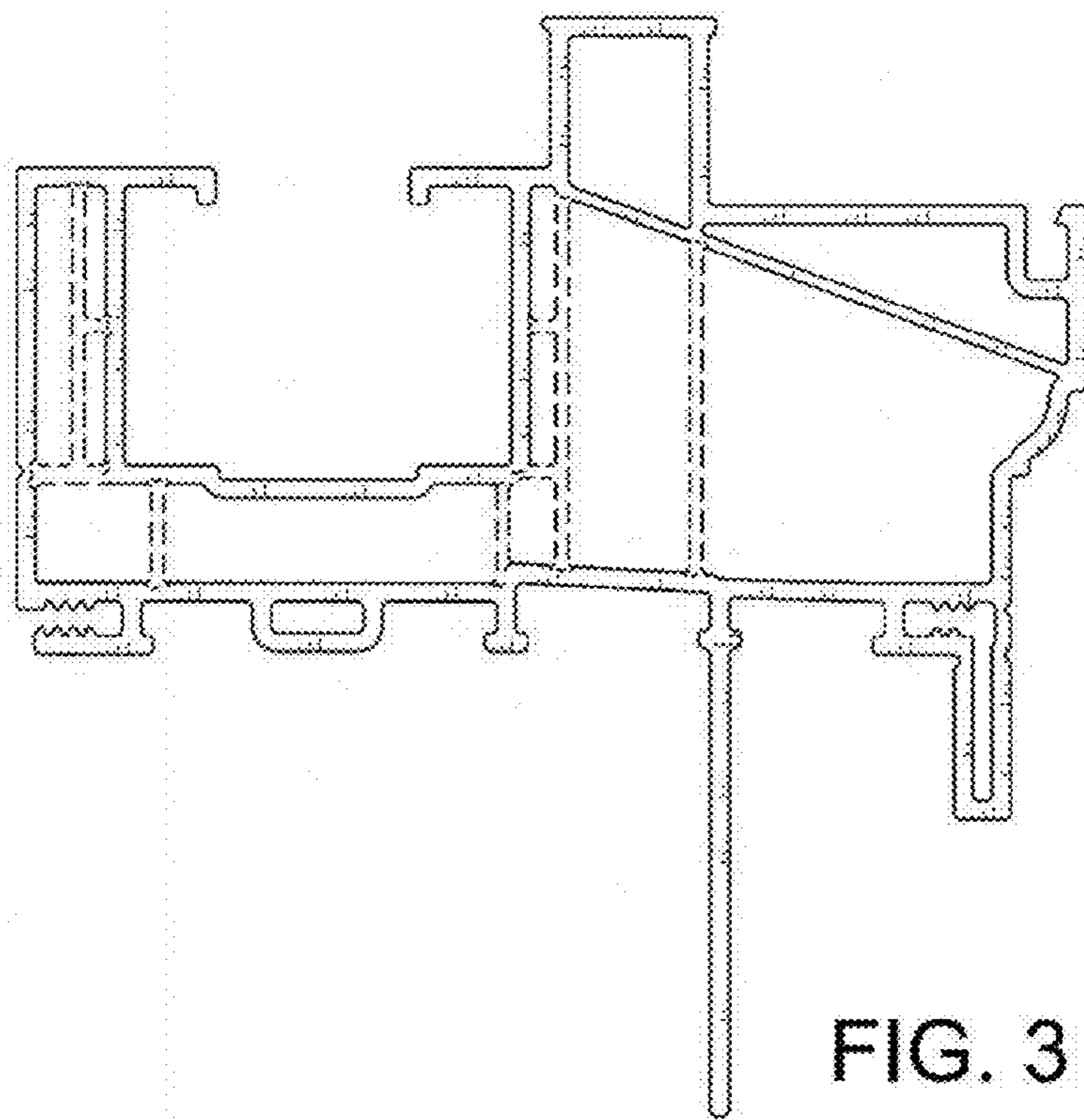


FIG. 3

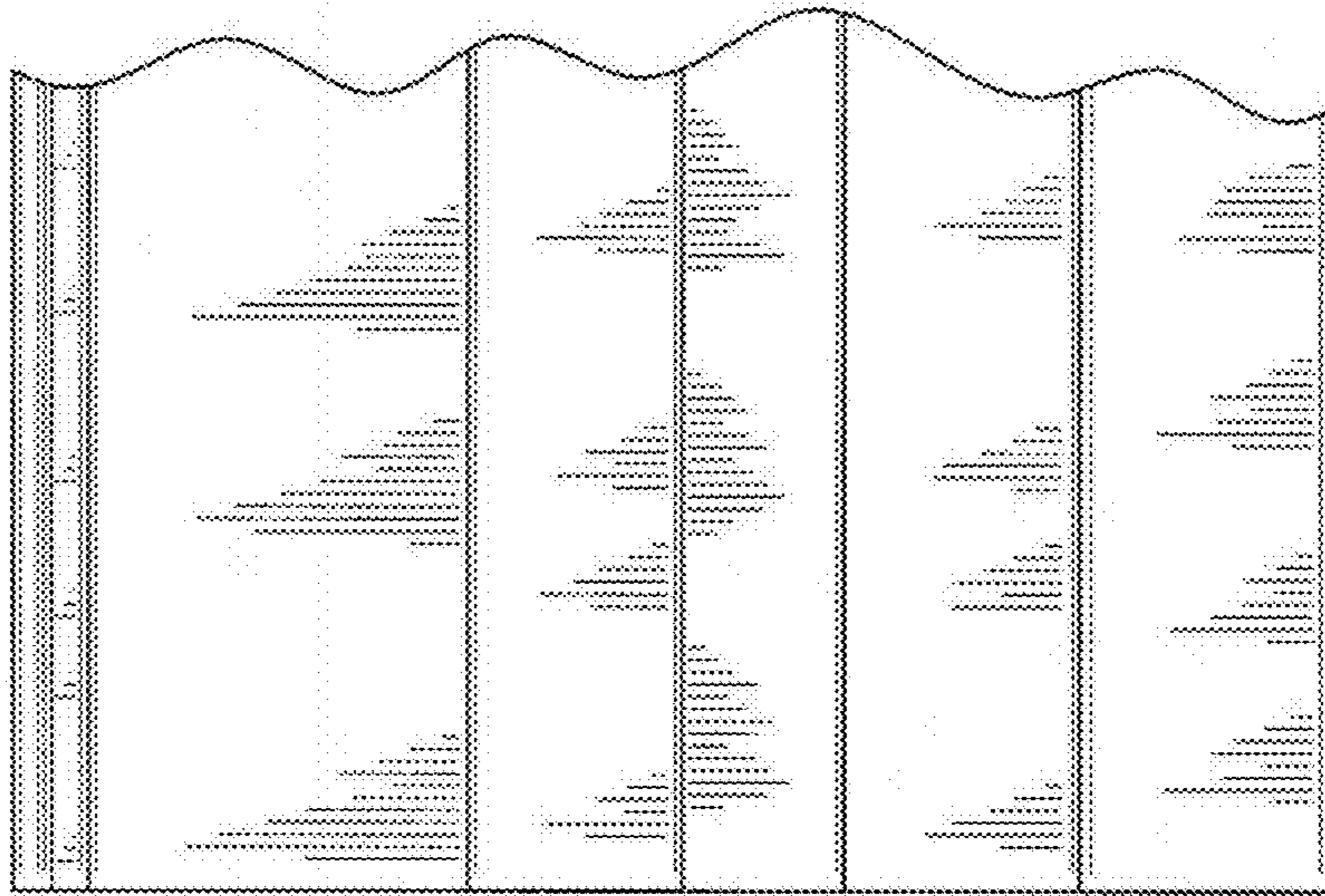


FIG. 4

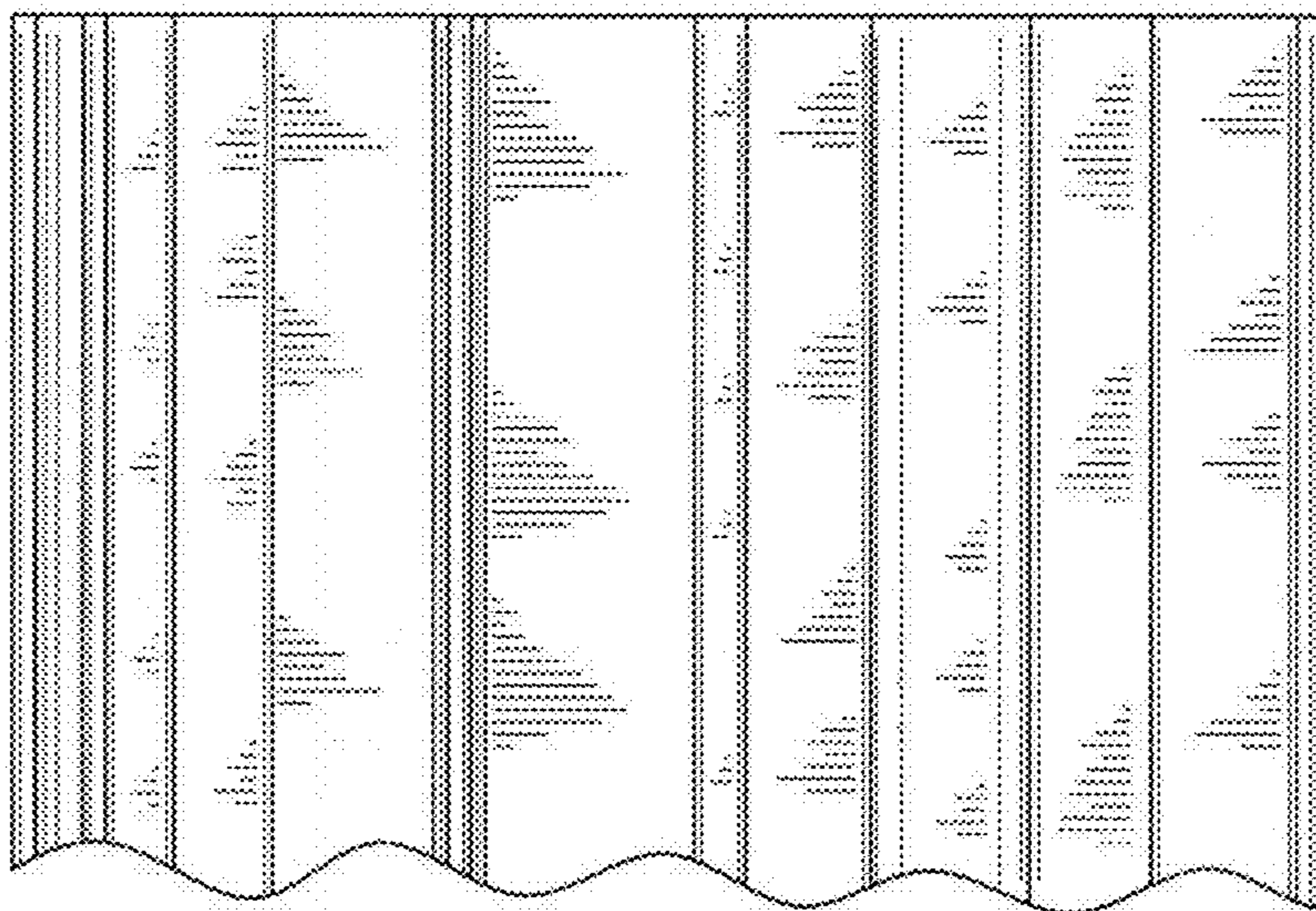


FIG. 5

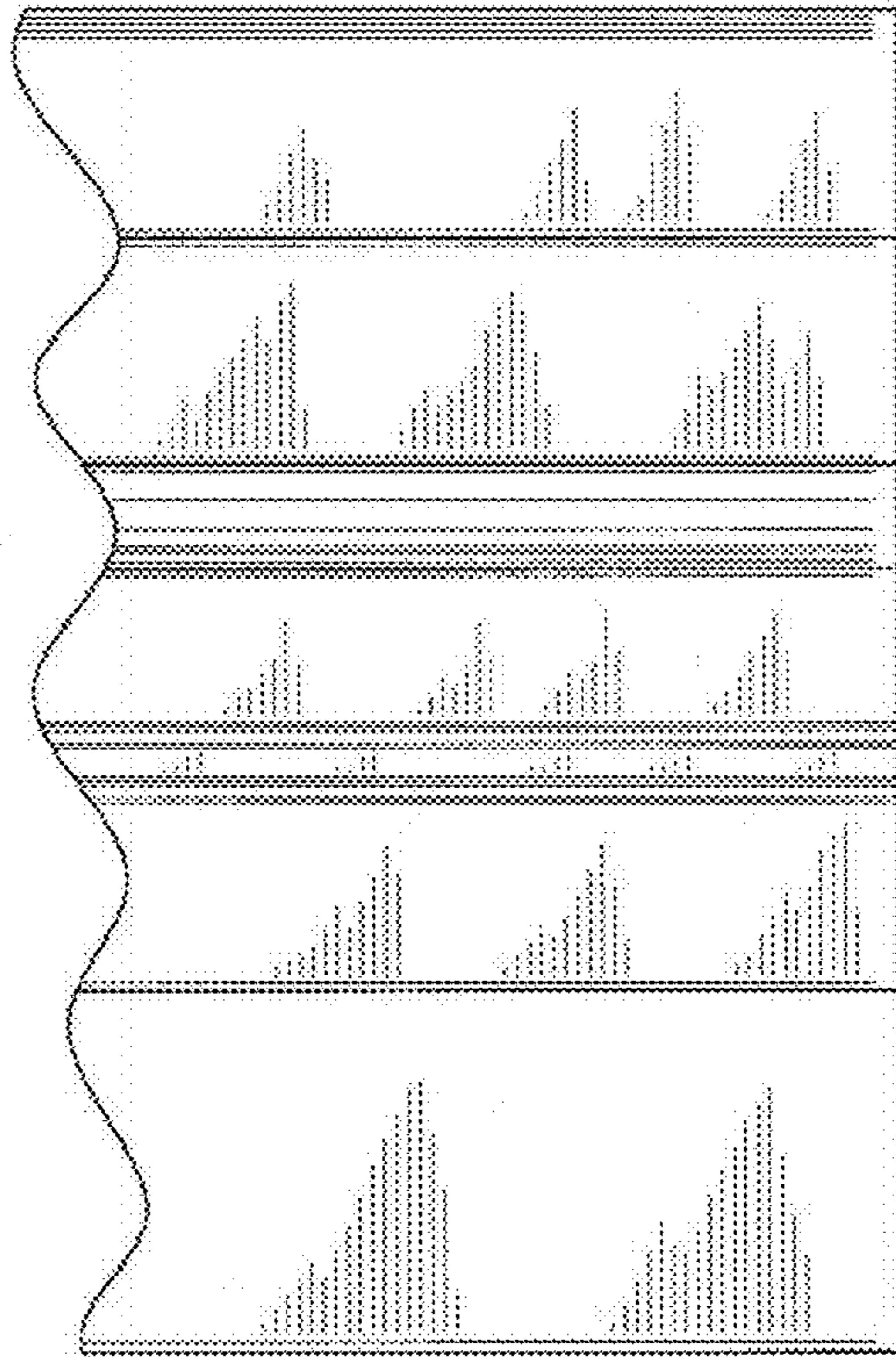


FIG. 6

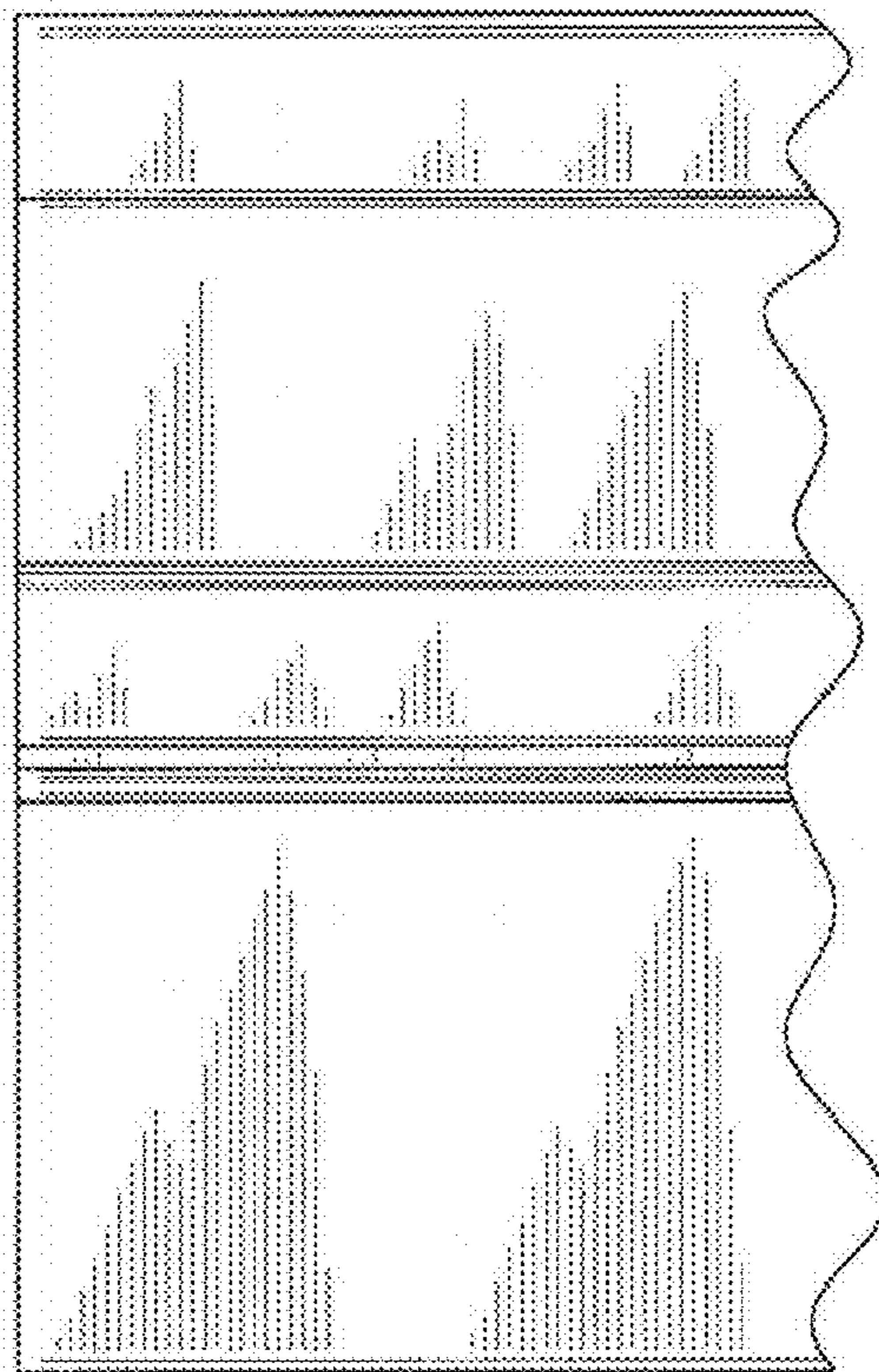


FIG. 7