



US00D713554S

(12) **United States Design Patent**
Ryan

(10) **Patent No.:** **US D713,554 S**
(45) **Date of Patent:** **** Sep. 16, 2014**

(54) **ROOF DECKING**

(71) Applicant: **Epic Metals Corporation**, Rankin, PA (US)
(72) Inventor: **Thomas G. Ryan**, North Huntingdon, PA (US)
(73) Assignee: **Epic Metals Corporation**, Rankin, PA (US)
(**) Term: **14 Years**

(21) Appl. No.: **29/443,239**
(22) Filed: **Jan. 15, 2013**
(51) **LOC (10) Cl.** **25-01**
(52) **U.S. Cl.**
USPC **D25/124**
(58) **Field of Classification Search**
USPC 52/87, 630, 177, 586.2, 650.3, 180, 52/674; D25/124
See application file for complete search history.

(56) **References Cited**

U.S. PATENT DOCUMENTS

3,707,088	A	12/1972	King et al.	
3,713,261	A	1/1973	Landis et al.	
D238,898	S	2/1976	Landis et al.	
3,967,426	A	7/1976	Ault et al.	
4,085,558	A	4/1978	Albrecht	
4,454,692	A	6/1984	Ault	
4,507,900	A	4/1985	Landis	
4,545,692	A	10/1985	Bras et al.	
D290,753	S *	7/1987	Nilsson D25/124
4,685,264	A	8/1987	Landis	
4,695,033	A	9/1987	Imaeda et al.	
5,172,527	A	12/1992	Ault	
5,205,098	A	4/1993	Landis et al.	
D337,169	S	7/1993	Schipp	
5,259,157	A	11/1993	Ault	
5,491,946	A	2/1996	Landis et al.	

(Continued)

OTHER PUBLICATIONS

Bowman Metal Deck publication, Cyclops Corporation, 1987, 3 pages.

Primary Examiner — Doris Clark
(74) *Attorney, Agent, or Firm* — The Webb Law Firm

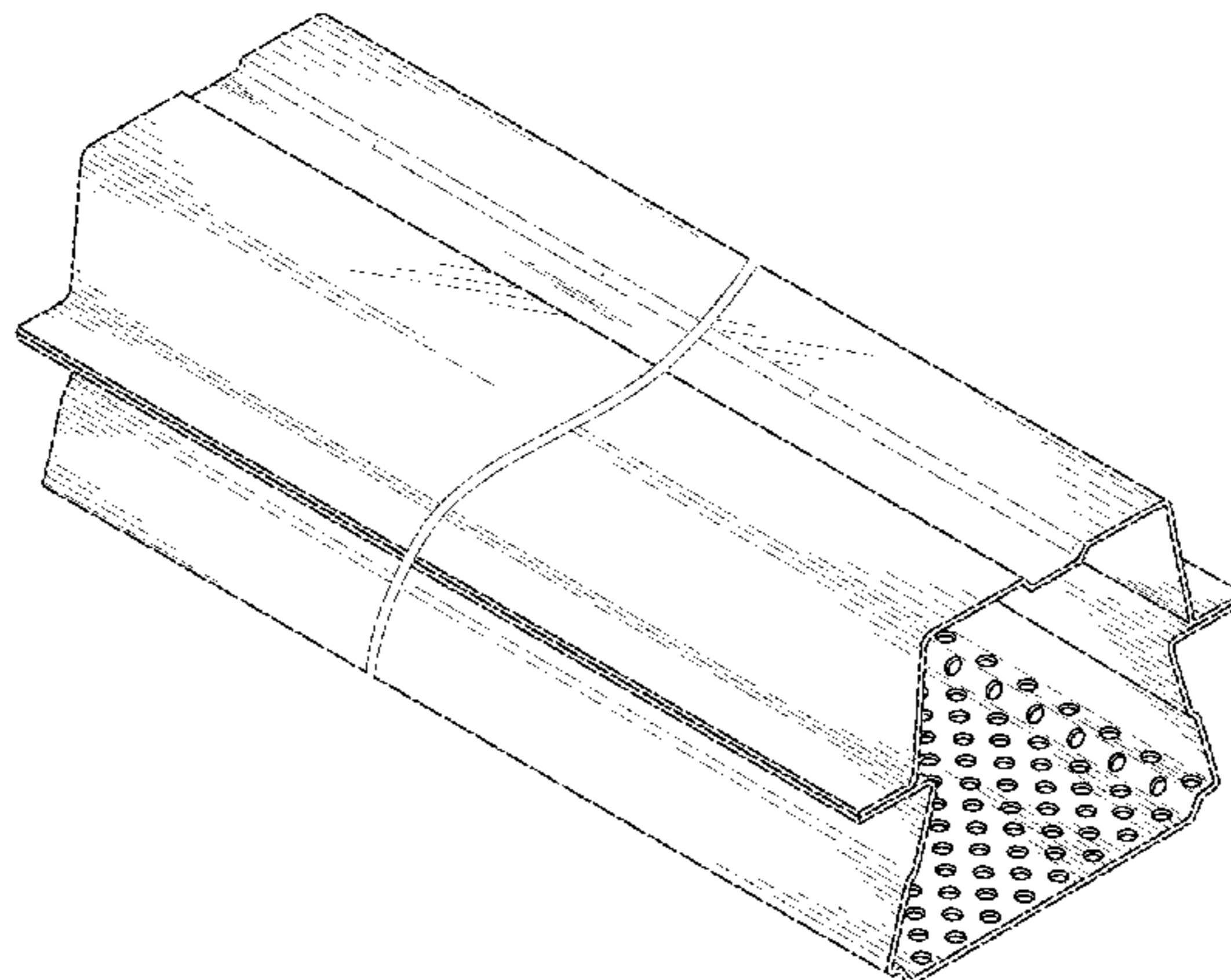
(57) **CLAIM**

The ornamental design for roof decking, as shown and described.

DESCRIPTION

FIG. 1 is a top perspective view of a first embodiment of the roof decking;
FIG. 2 is a front view thereof; the rear view being identical thereto;
FIG. 3 is a top view thereof;
FIG. 4 is a bottom view thereof;
FIG. 5 is a right side view thereof, the left side view being identical thereto;
FIG. 6 is a bottom perspective view thereof;
FIG. 7 is a top perspective view thereof, shown with adjacent roof decking in dashed lines for environmental purposes;
FIG. 8 is a top perspective view of a second embodiment of the roof decking;
FIG. 9 is a front view thereof, the rear view being identical thereto;
FIG. 10 is a top view thereof;
FIG. 11 is a bottom view thereof;
FIG. 12 is a right side view thereof, the left side view being identical thereto;
FIG. 13 is a bottom perspective view thereof; and,
FIG. 14 is a top perspective view thereof, shown with adjacent roof decking in dashed lines for environmental purposes.
The roof decking is depicted as broken in the center to indicate indefinite length. The portions of adjacent roof decking shown in dashed lines in FIGS. 7 and 14 are included for environmental purposes only, and form no part of the claimed design.

1 Claim, 14 Drawing Sheets



(56)

References Cited

U.S. PATENT DOCUMENTS

5,566,522 A	10/1996	Ålander et al.	7,146,920 B1	12/2006	Ryan et al.
D380,281 S	6/1997	Menz	7,241,094 B1	7/2007	Potts et al.
D441,876 S	5/2001	Eaton	D552,765 S	10/2007	Ault et al.
D443,368 S	6/2001	Eaton	7,328,667 B1	2/2008	Ryan et al.
D447,045 S	8/2001	Hundley	7,418,807 B1	9/2008	Ryan et al.
6,357,191 B1	3/2002	Ault et al.	7,603,814 B1	10/2009	Hartmann et al.
6,691,482 B1	2/2004	Ault	D608,464 S	1/2010	Ryan
6,729,097 B2 *	5/2004	Patel et al. 52/665	D622,417 S	8/2010	Ryan
6,813,864 B2	11/2004	Landis	D623,773 S	9/2010	Ryan
D507,665 S	7/2005	Ryan et al.	7,793,477 B1	9/2010	Potts
6,920,724 B1	7/2005	Hundley	D648,445 S	11/2011	Ryan
D511,580 S	11/2005	Ryan et al.	D655,022 S	2/2012	Ryan
7,131,161 B2	11/2006	Lee	D661,410 S	6/2012	Ryan
			D663,045 S	7/2012	Ryan
			D677,405 S	3/2013	Landis
			8,505,259 B1 *	8/2013	Degtyarev 52/650.1

* cited by examiner

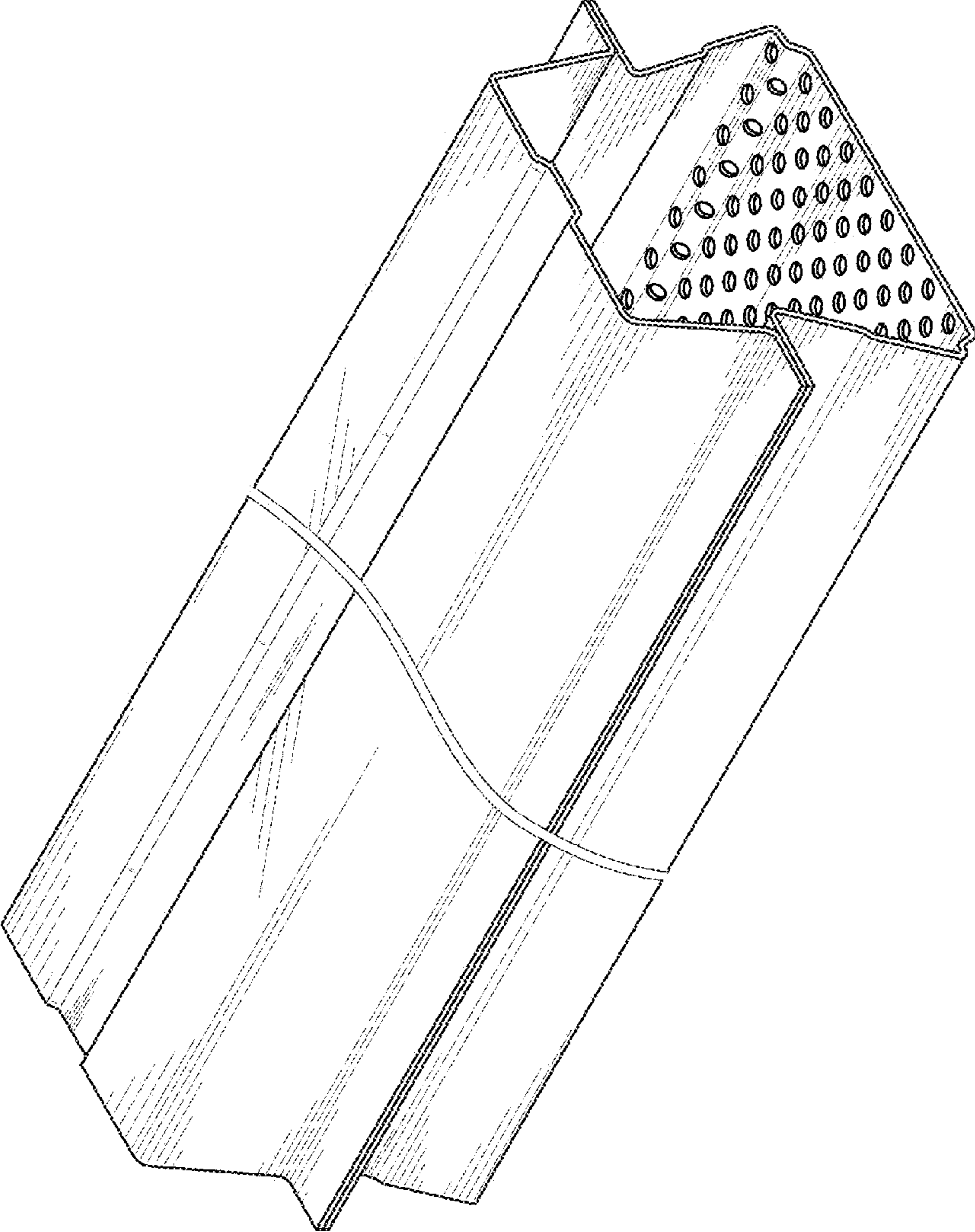


FIG. 1

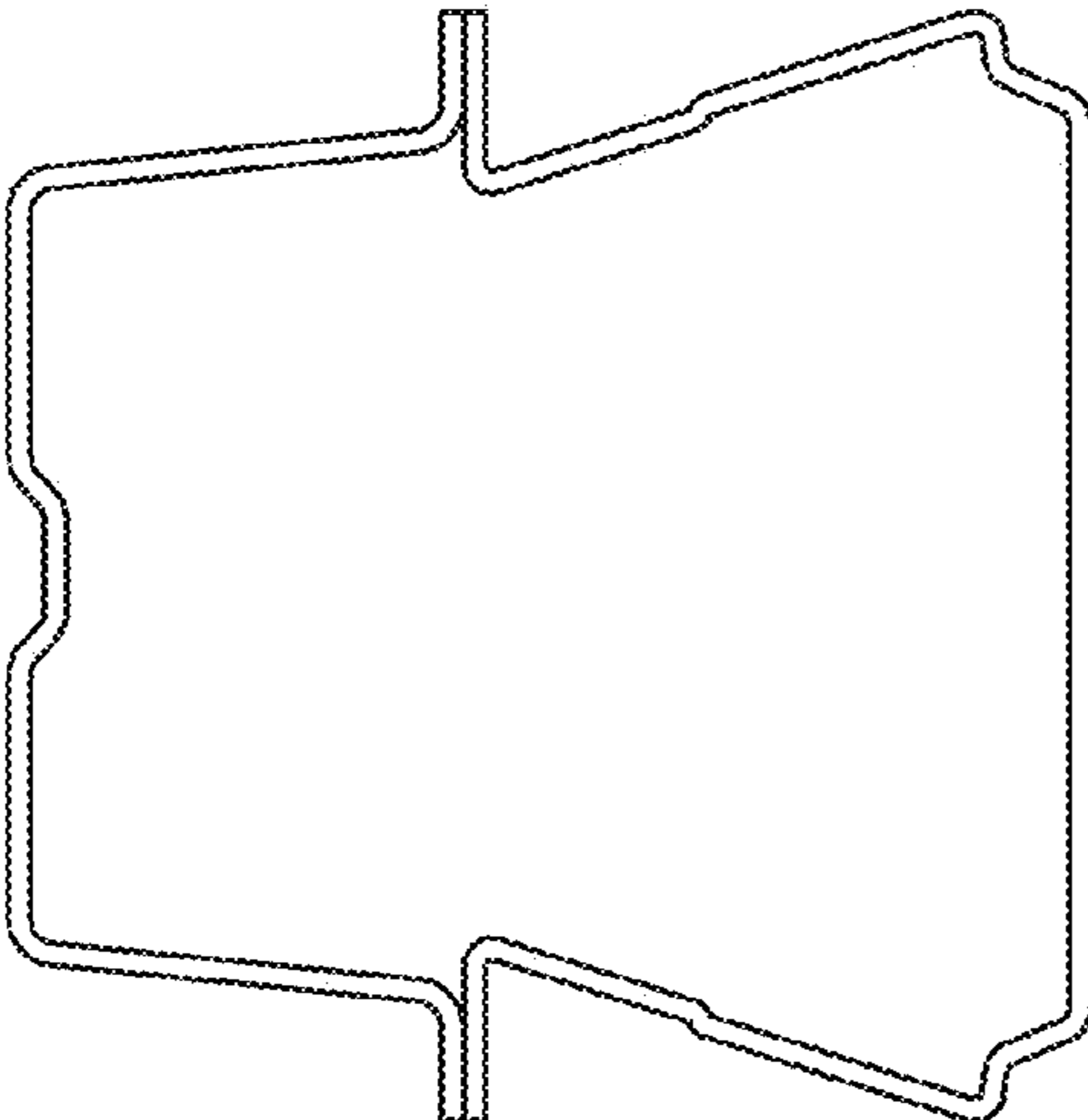


FIG. 2

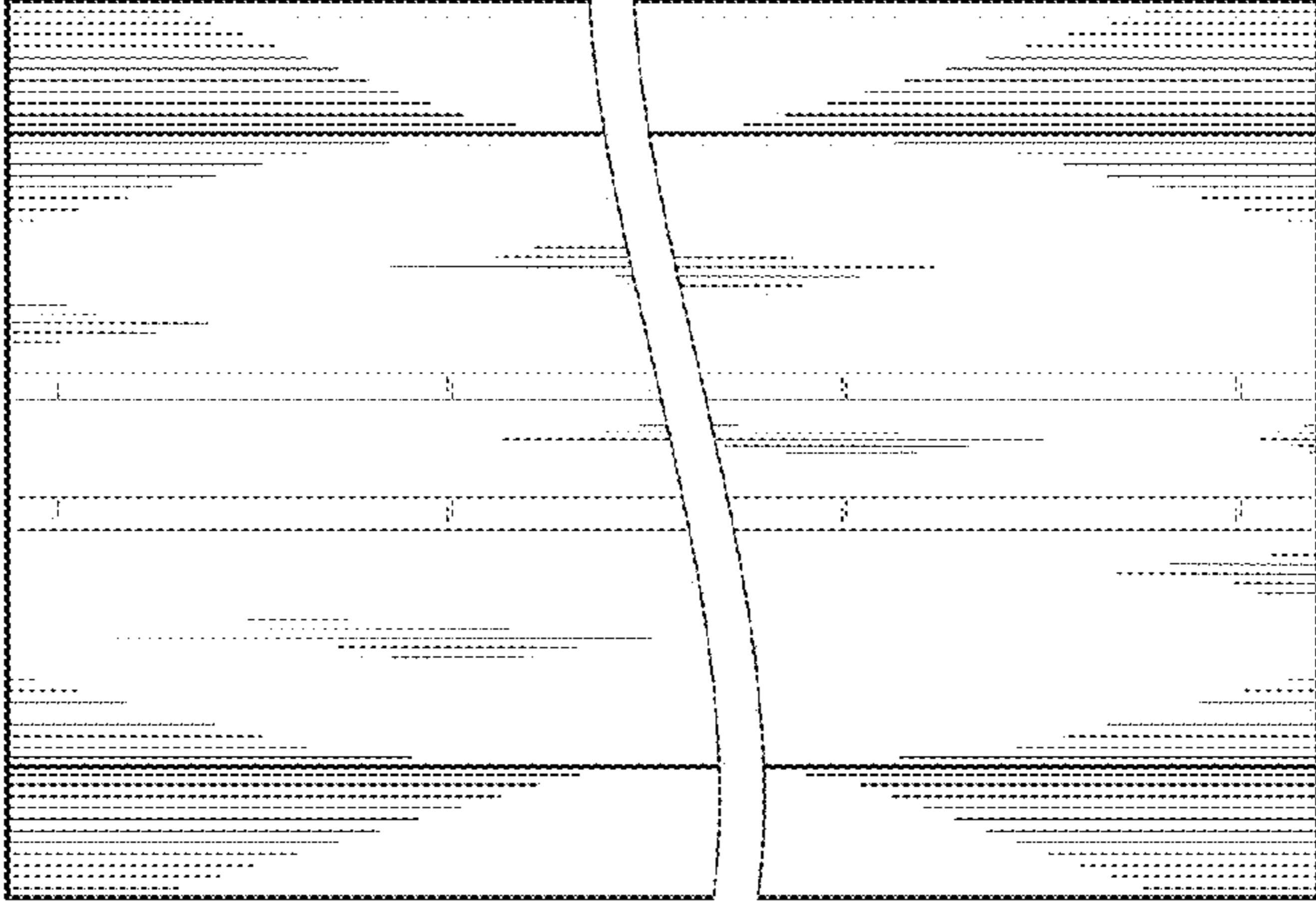


FIG. 3

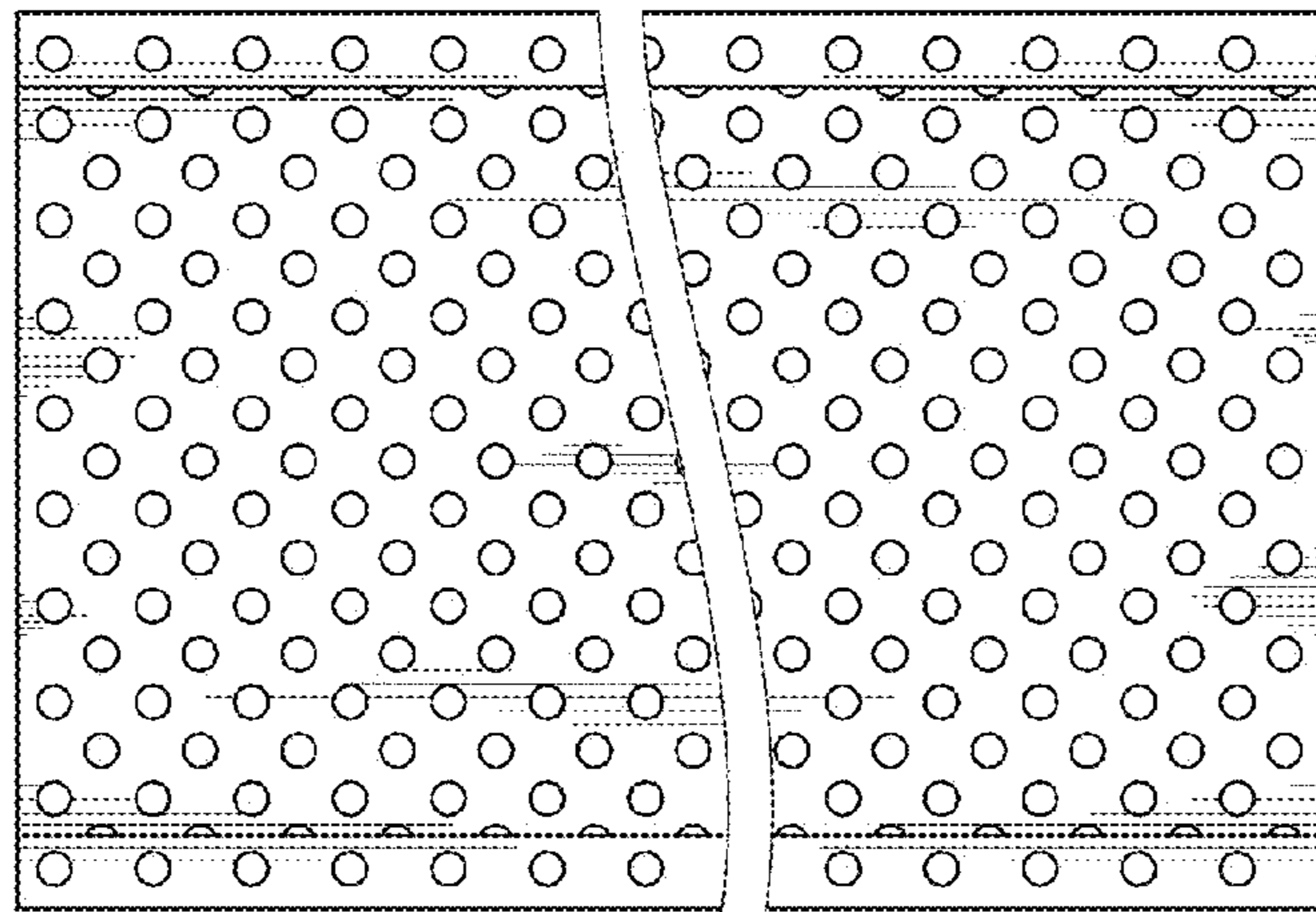


FIG. 4

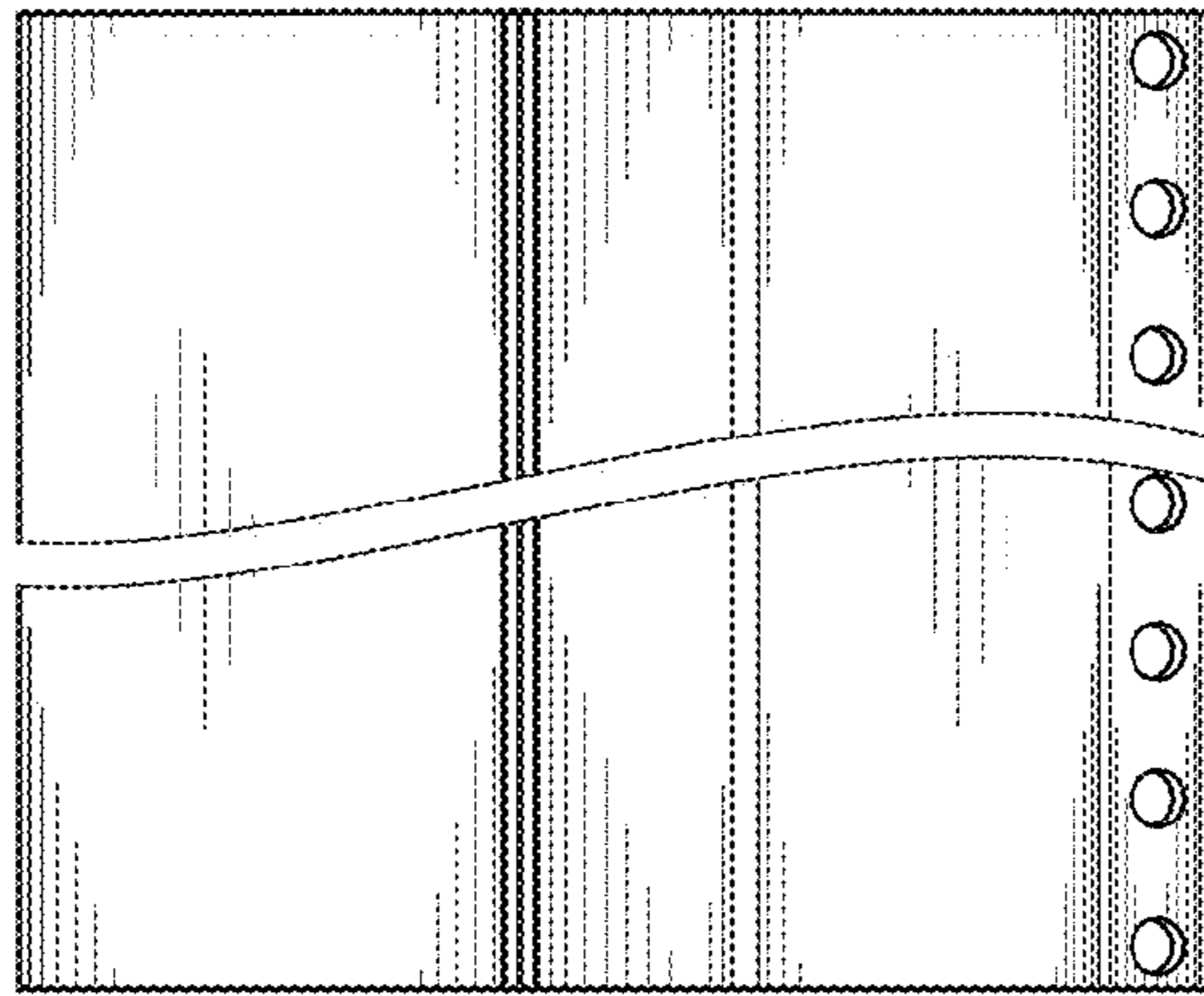


FIG. 5

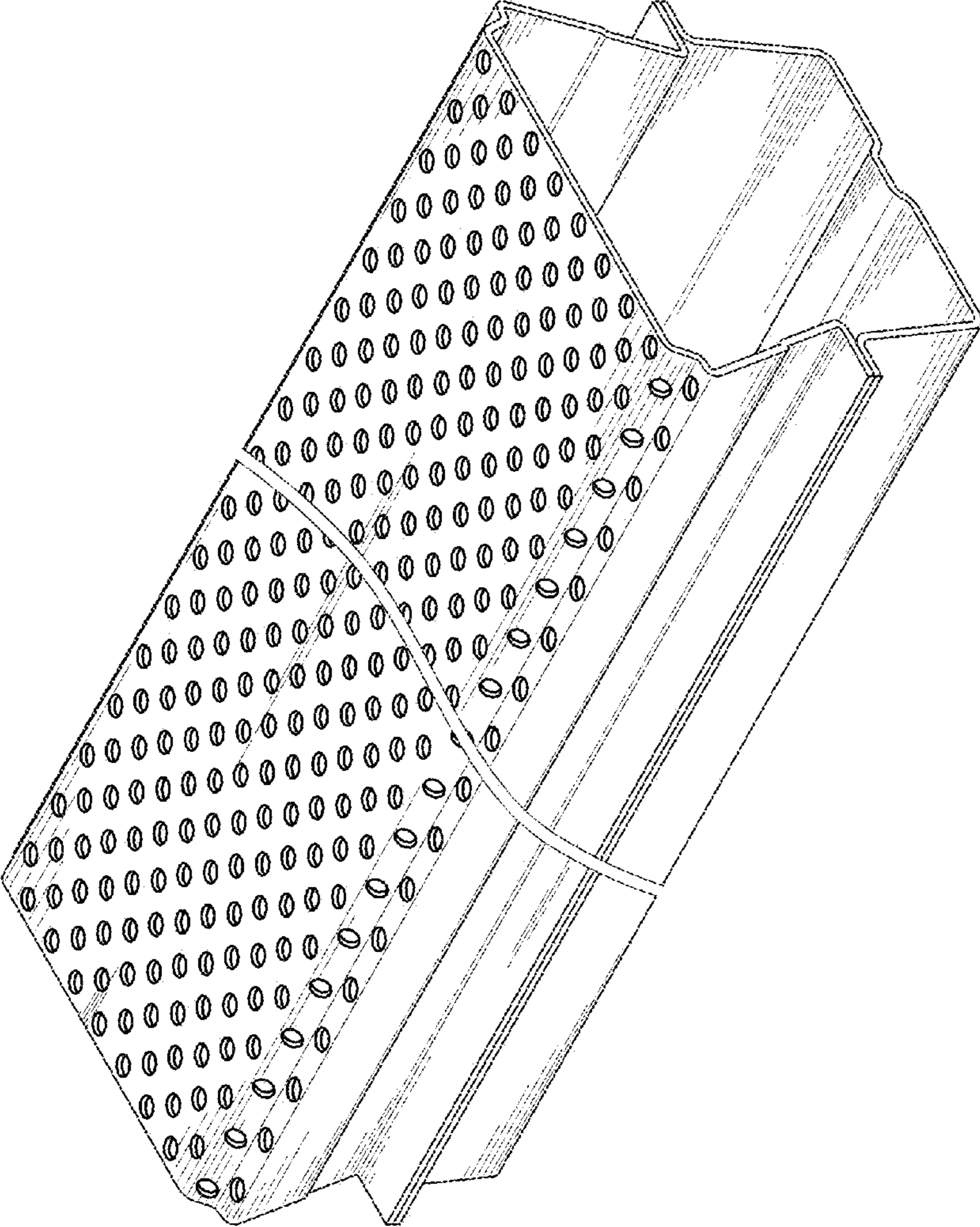


FIG. 6

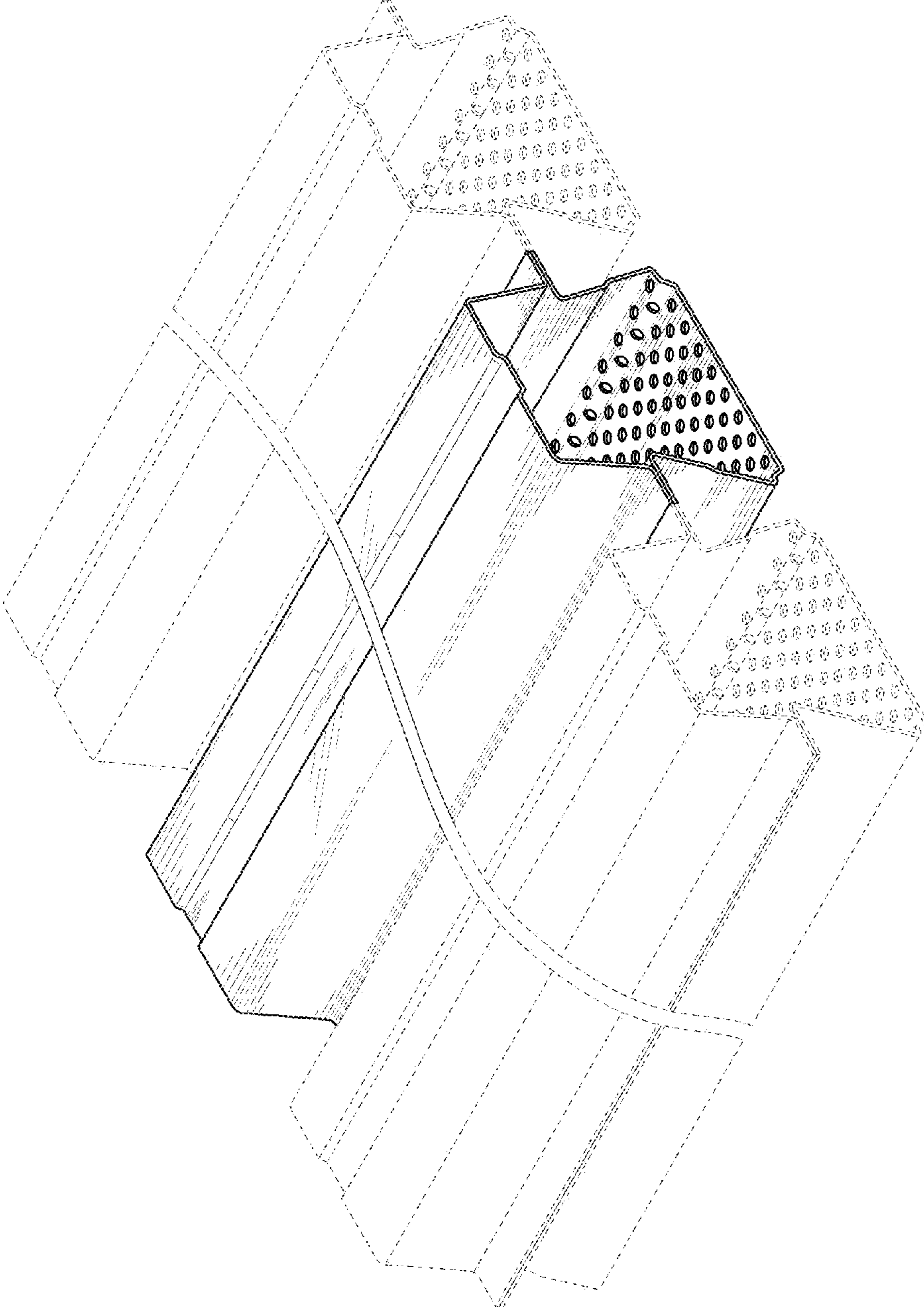


FIG. 7

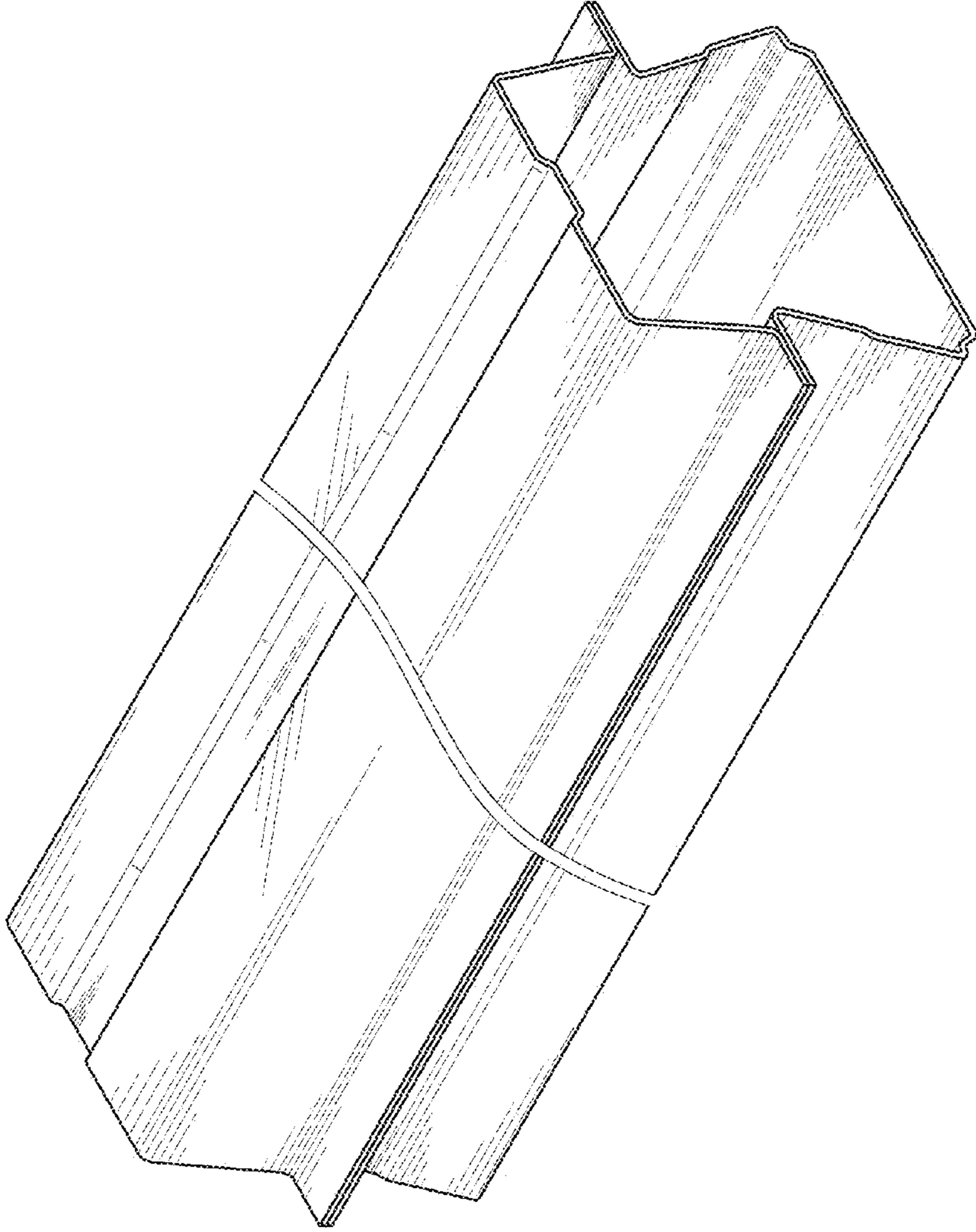


FIG. 8

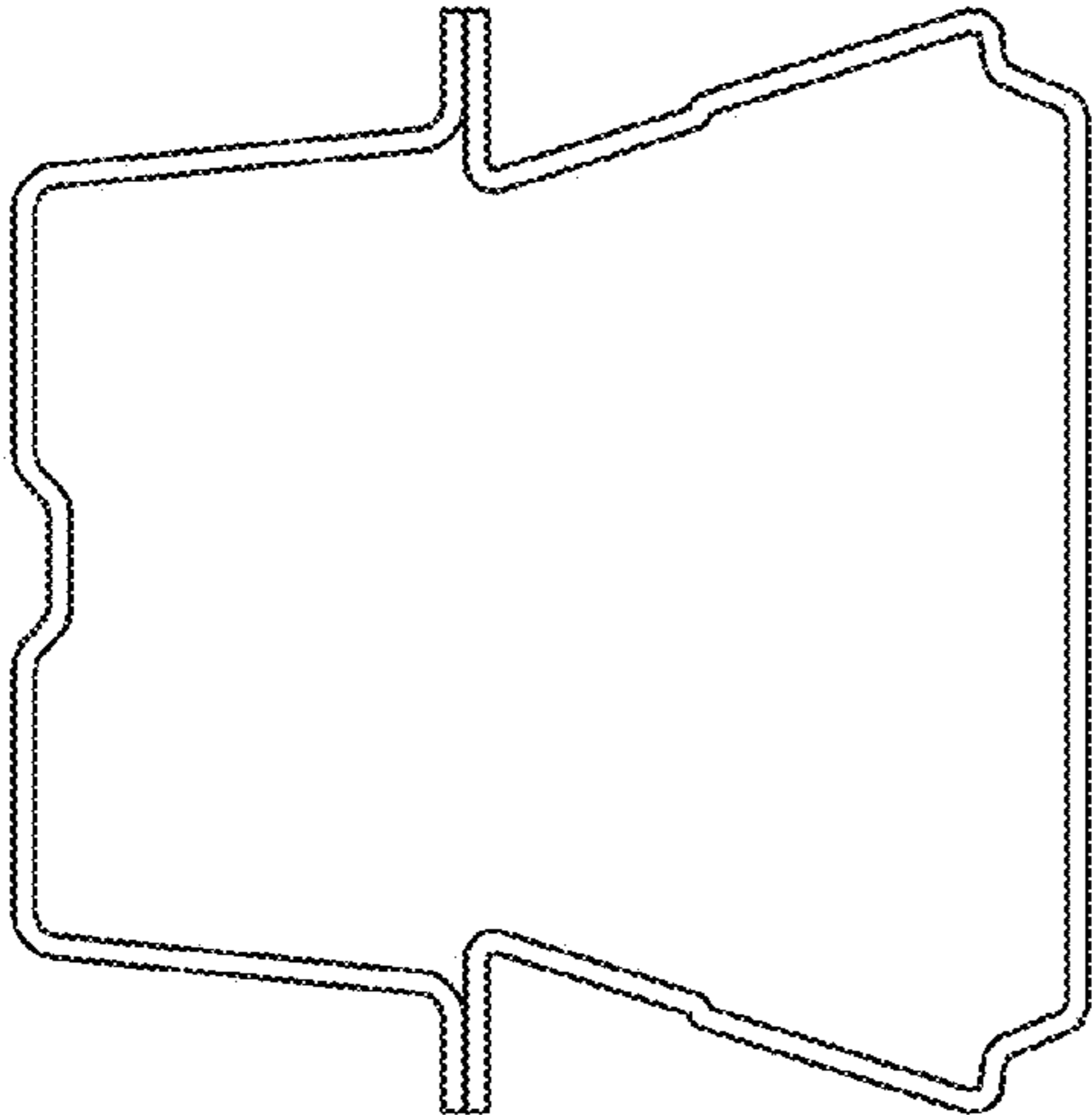


FIG. 9

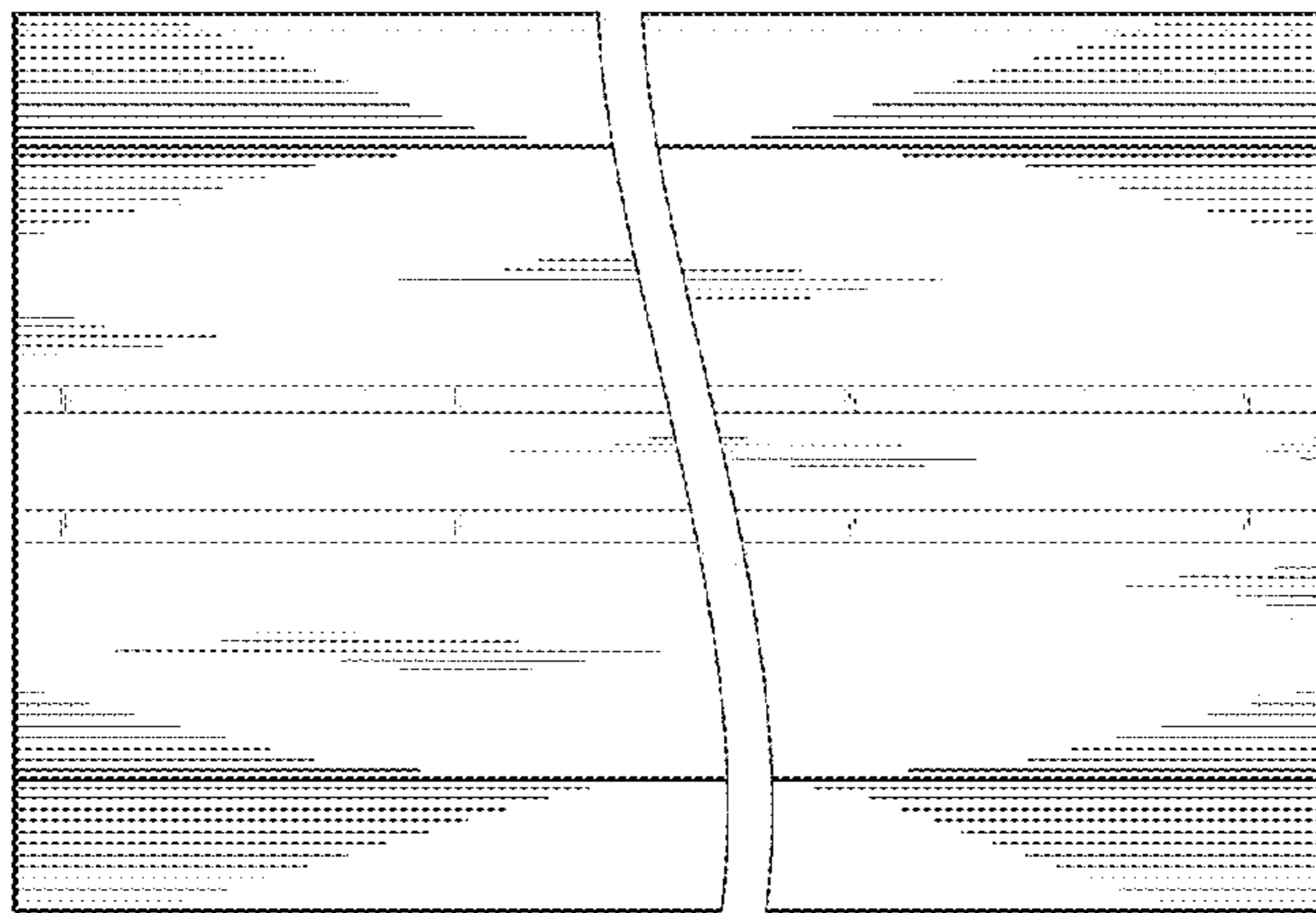


FIG. 10

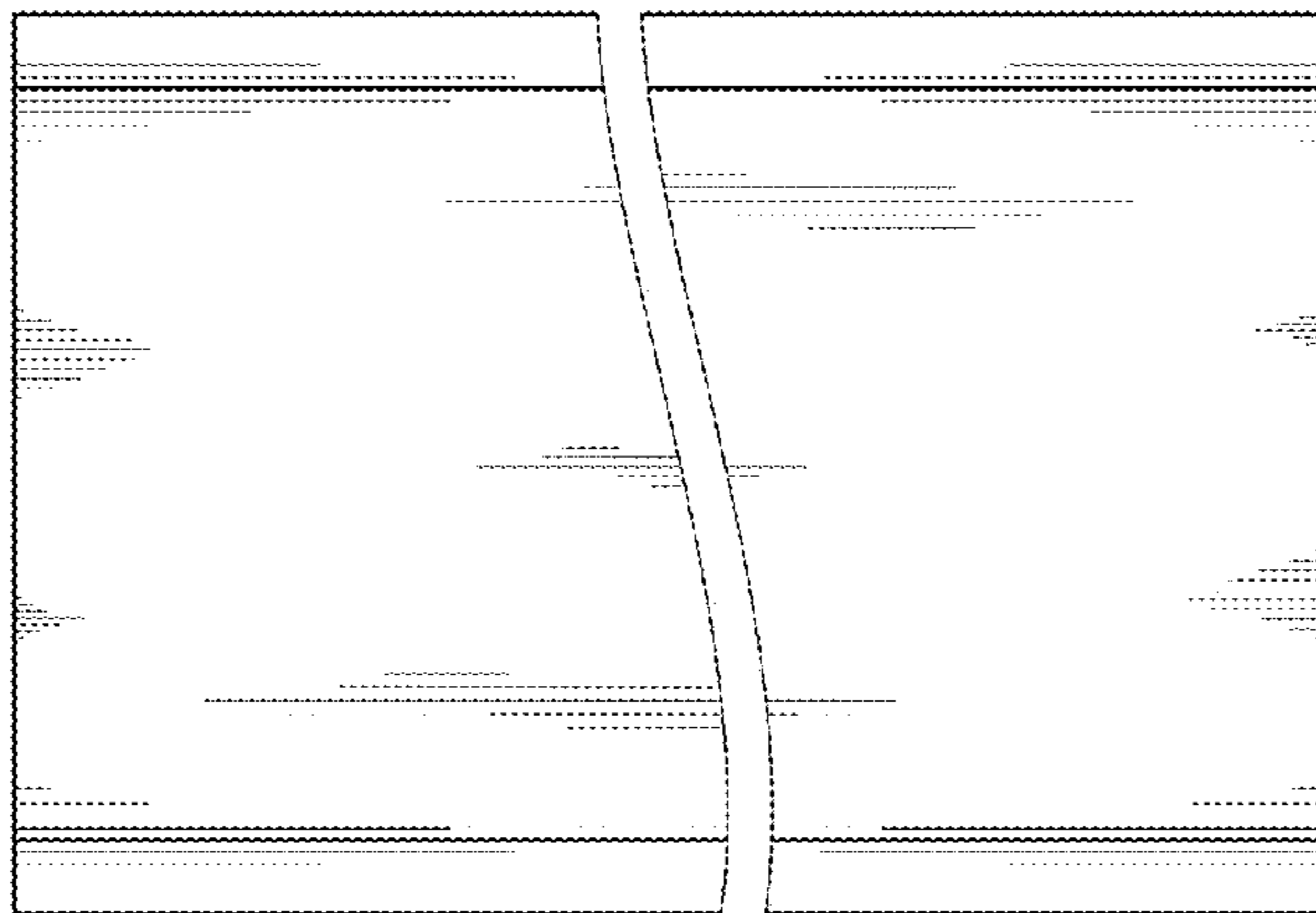


FIG. 11

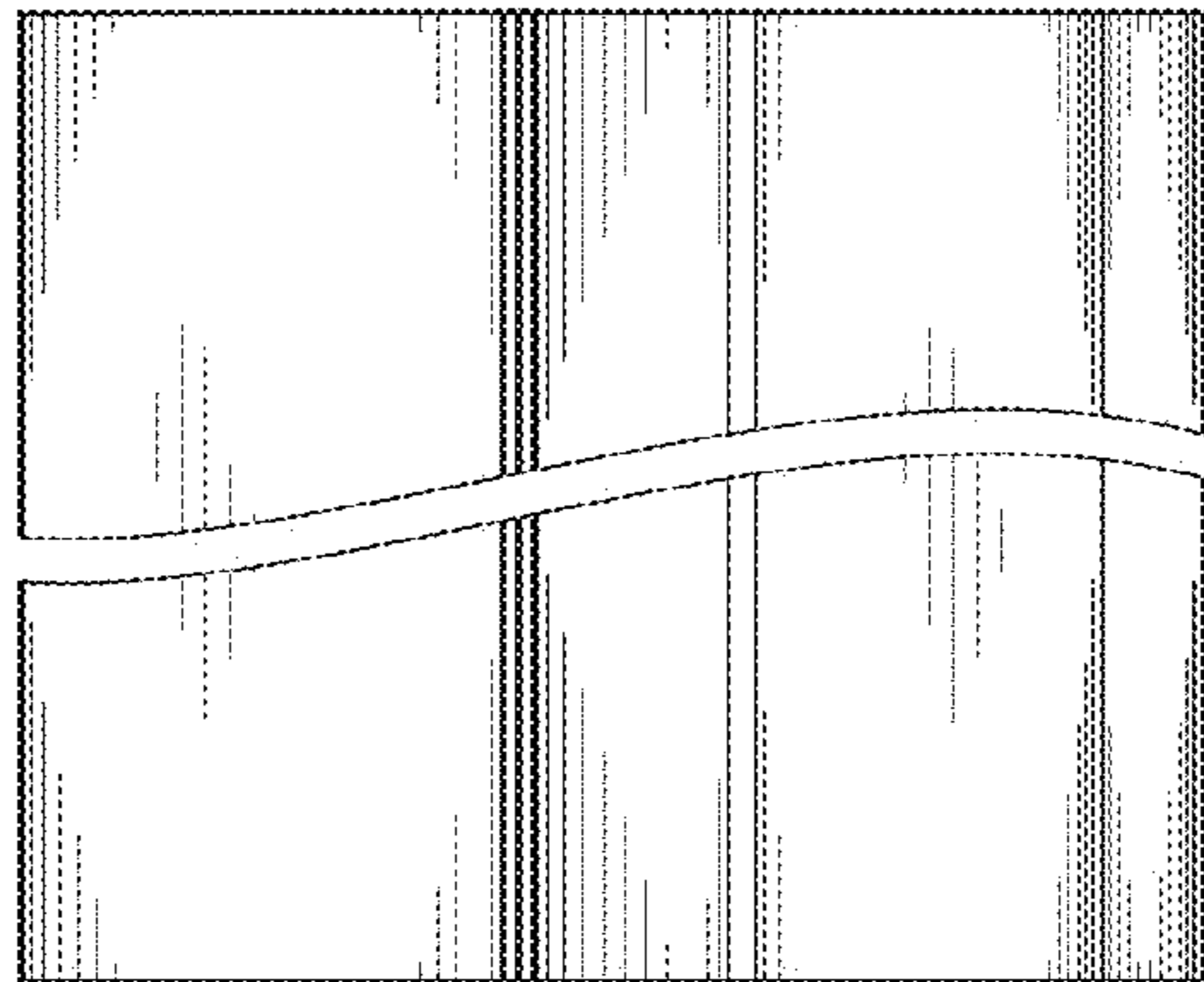


FIG. 12

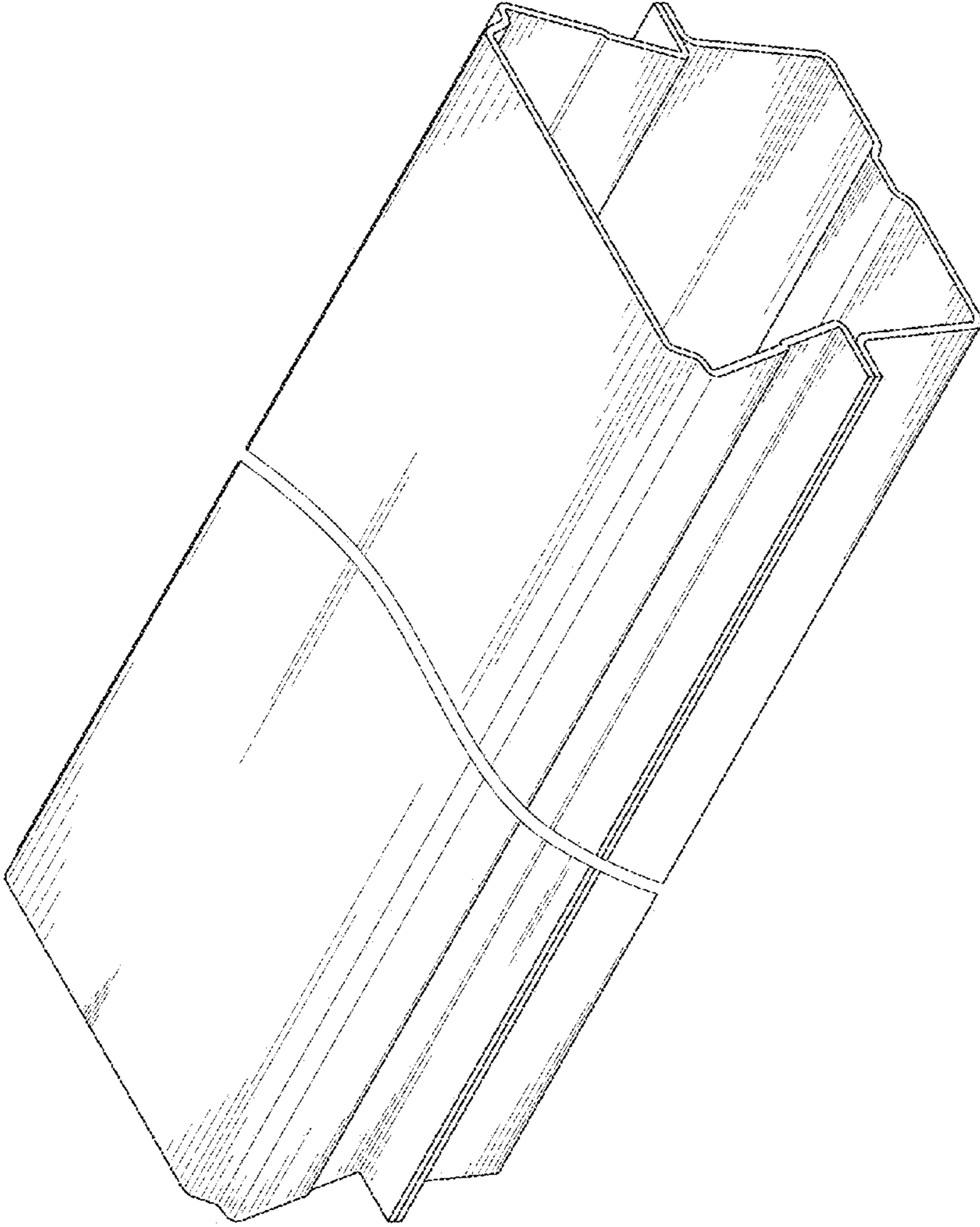


FIG. 13

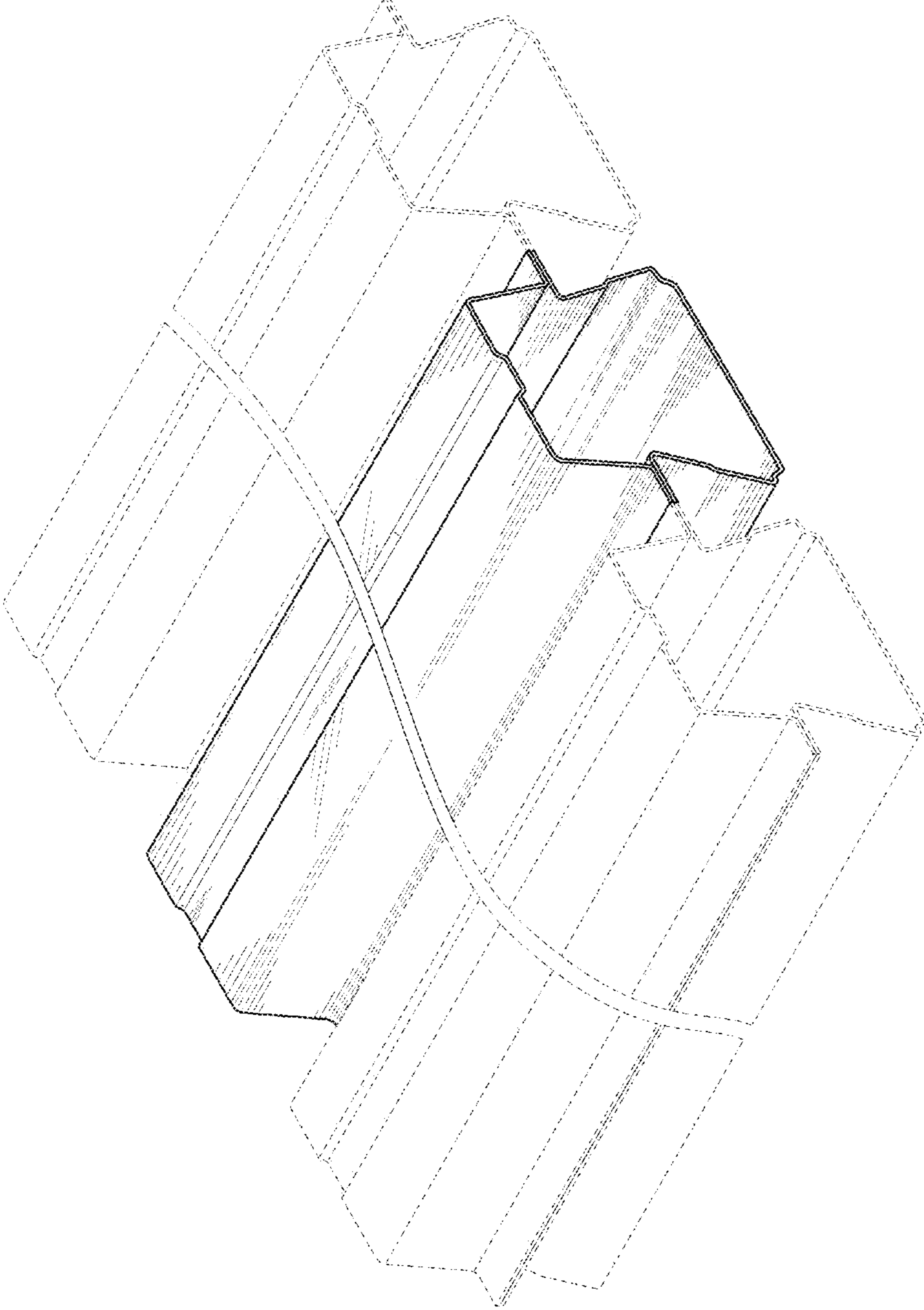


FIG. 14