



US00D713553S

(12) **United States Design Patent**
Cute

(10) **Patent No.:** **US D713,553 S**

(45) **Date of Patent:** **** Sep. 16, 2014**

(54) **TRELLIS**

(56) **References Cited**

(71) Applicant: **Sun Hill Industries, Inc.**, Fairfield, CA
(US)

U.S. PATENT DOCUMENTS

2,014,175 A * 9/1935 Hart 47/29.6
D161,930 S * 2/1951 Horwitch D25/101
4,991,344 A * 2/1991 Carney 47/39

(72) Inventor: **Joseph E. Cute**, Geneva, IL (US)

* cited by examiner

(73) Assignee: **Sun Hill Industries**, Fairfield, CA (US)

Primary Examiner — Doris Clark
(74) *Attorney, Agent, or Firm* — Riverside Law LLP

(**) Term: **14 Years**

(57) **CLAIM**

I claim the ornamental design for a trellis, as shown and described.

(21) Appl. No.: **29/433,906**

DESCRIPTION

(22) Filed: **Oct. 5, 2012**

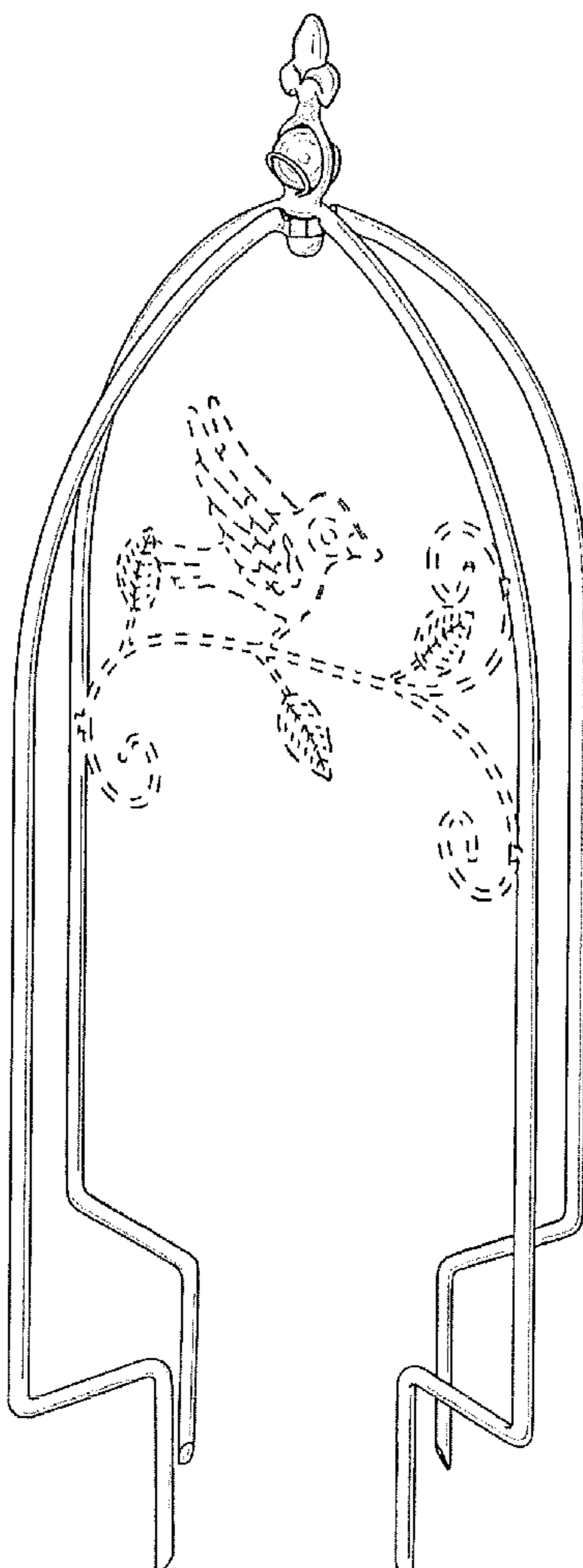
FIG. 1 is a perspective view of a trellis;
FIG. 2 is a front view thereof;
FIG. 3 is a rear view thereof;
FIG. 4 is a right side view thereof;
FIG. 5 is a left side view thereof;
FIG. 6 is a top view thereof; and,
FIG. 7 is a bottom view thereof.
The broken lines form no part of the claimed design.

(51) **LOC (10) Cl.** **08-99**

(52) **U.S. Cl.**
USPC **D25/101**

(58) **Field of Classification Search**
USPC D25/101; 47/45, 47, 70
See application file for complete search history.

1 Claim, 6 Drawing Sheets



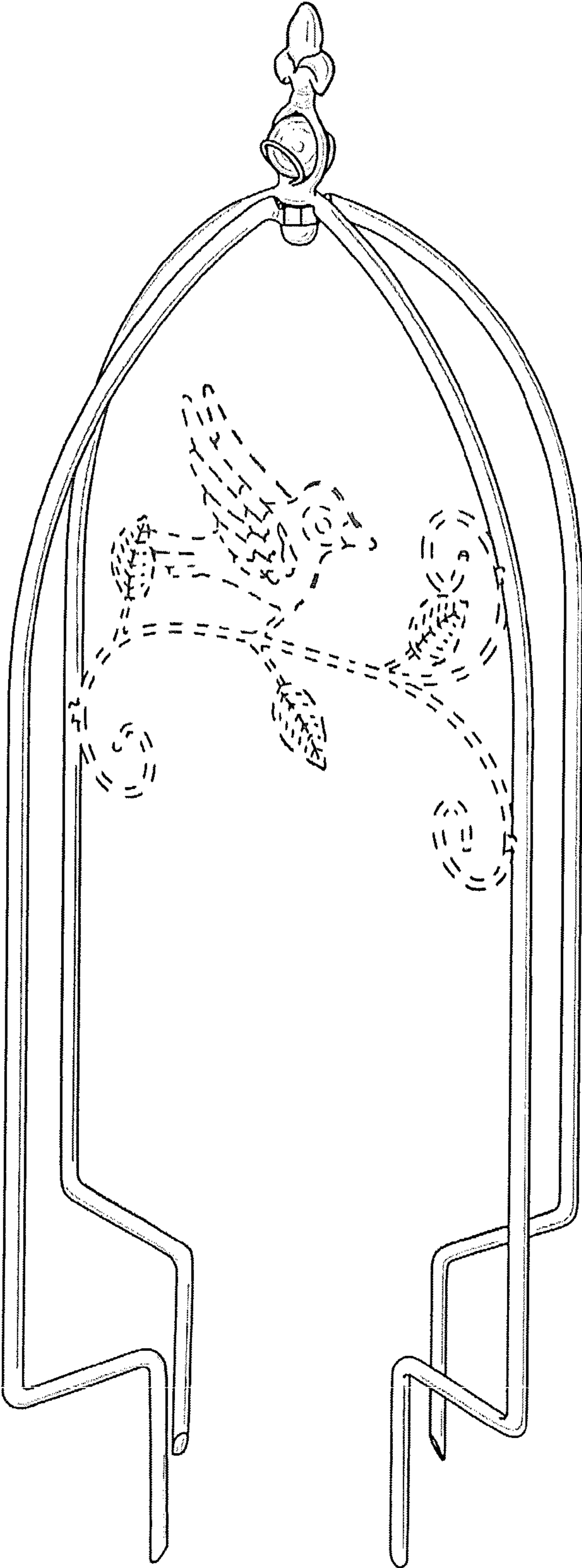


FIG. 1

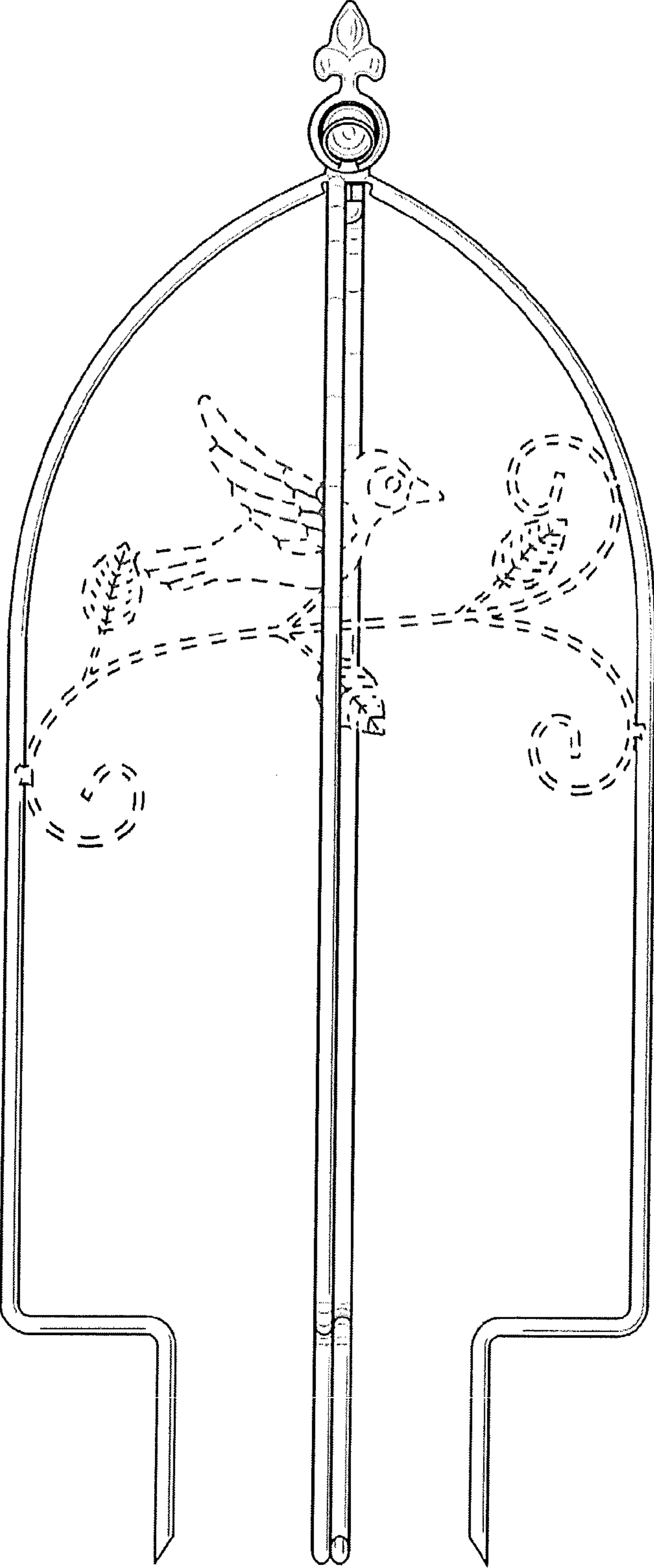


FIG. 2

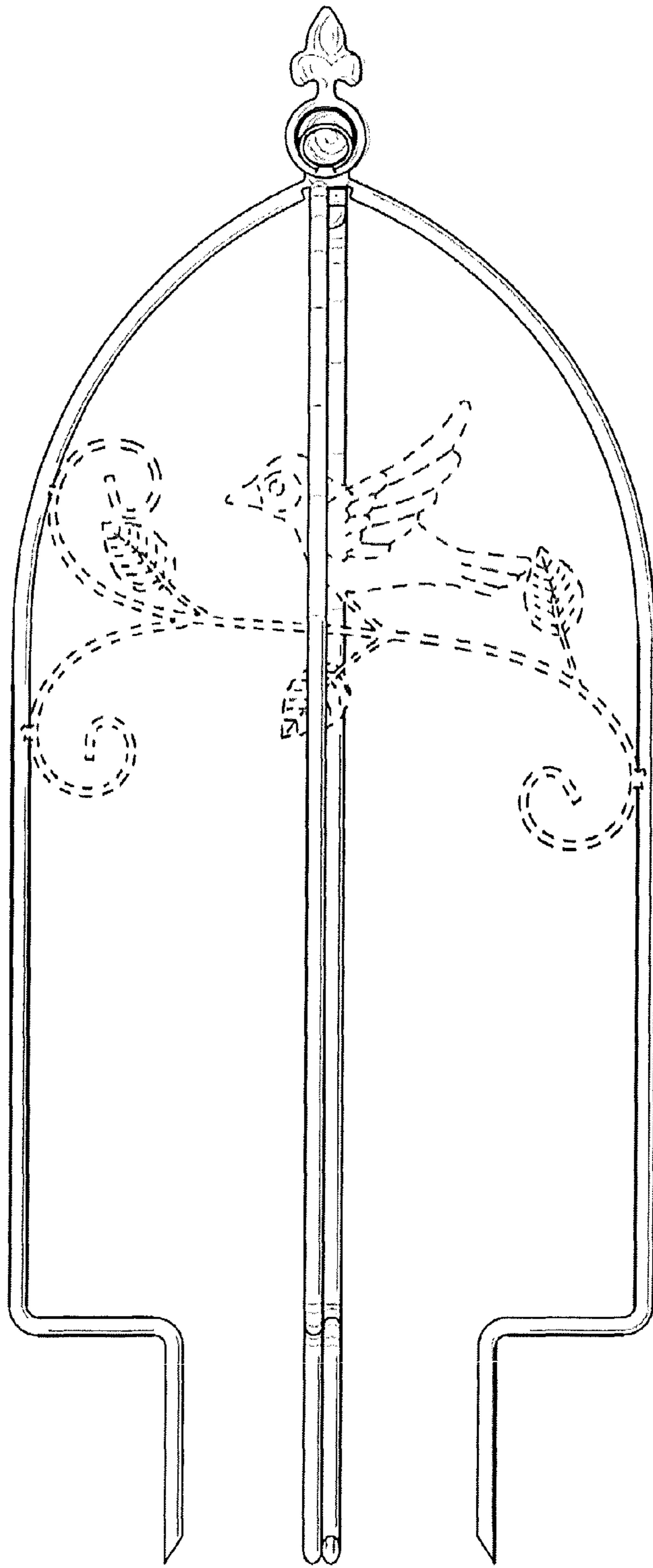


FIG. 3

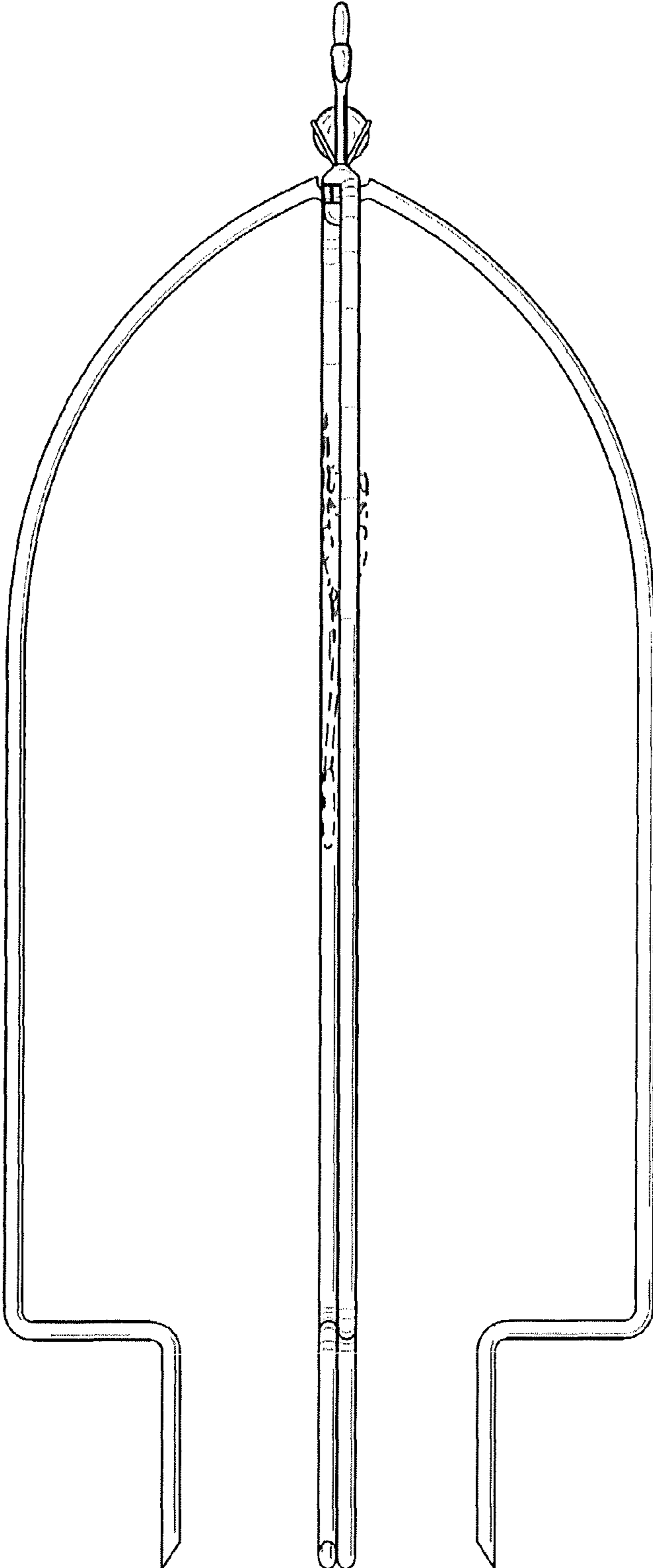


FIG. 4

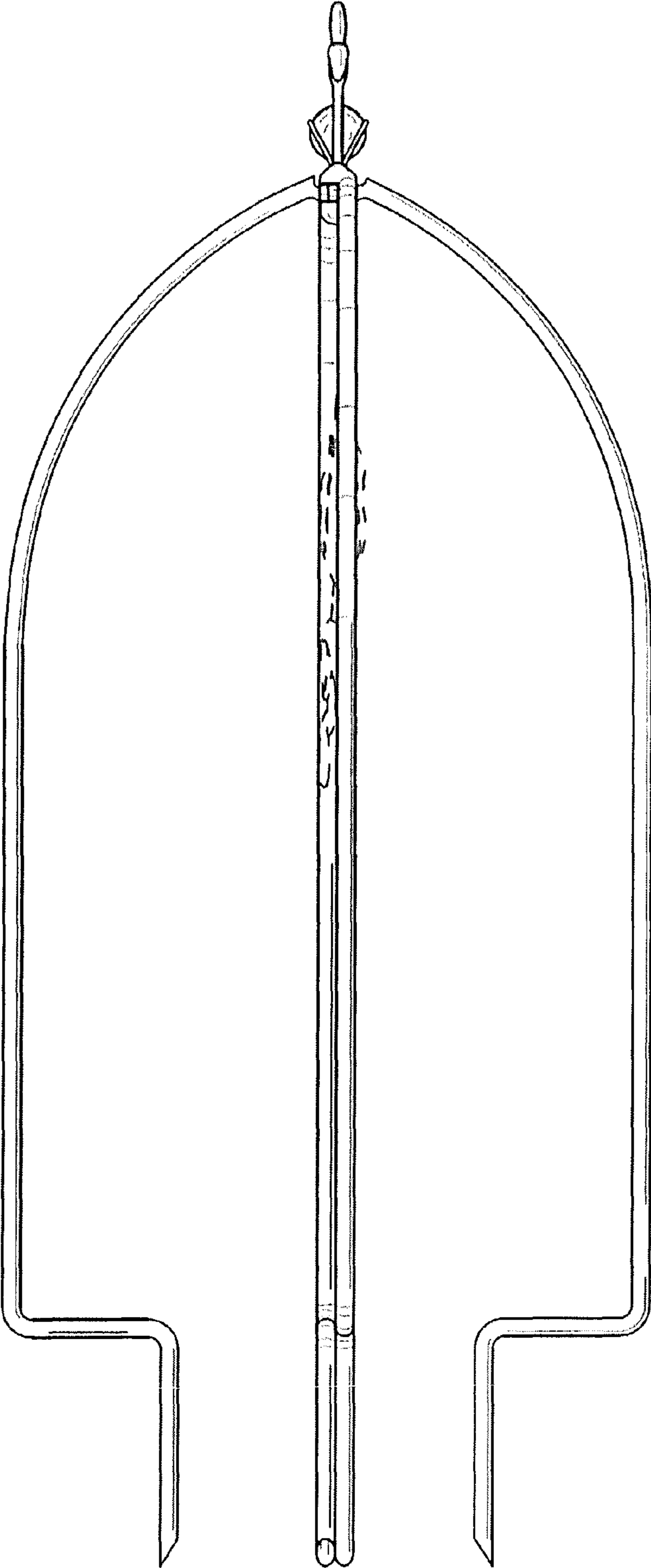


FIG. 5

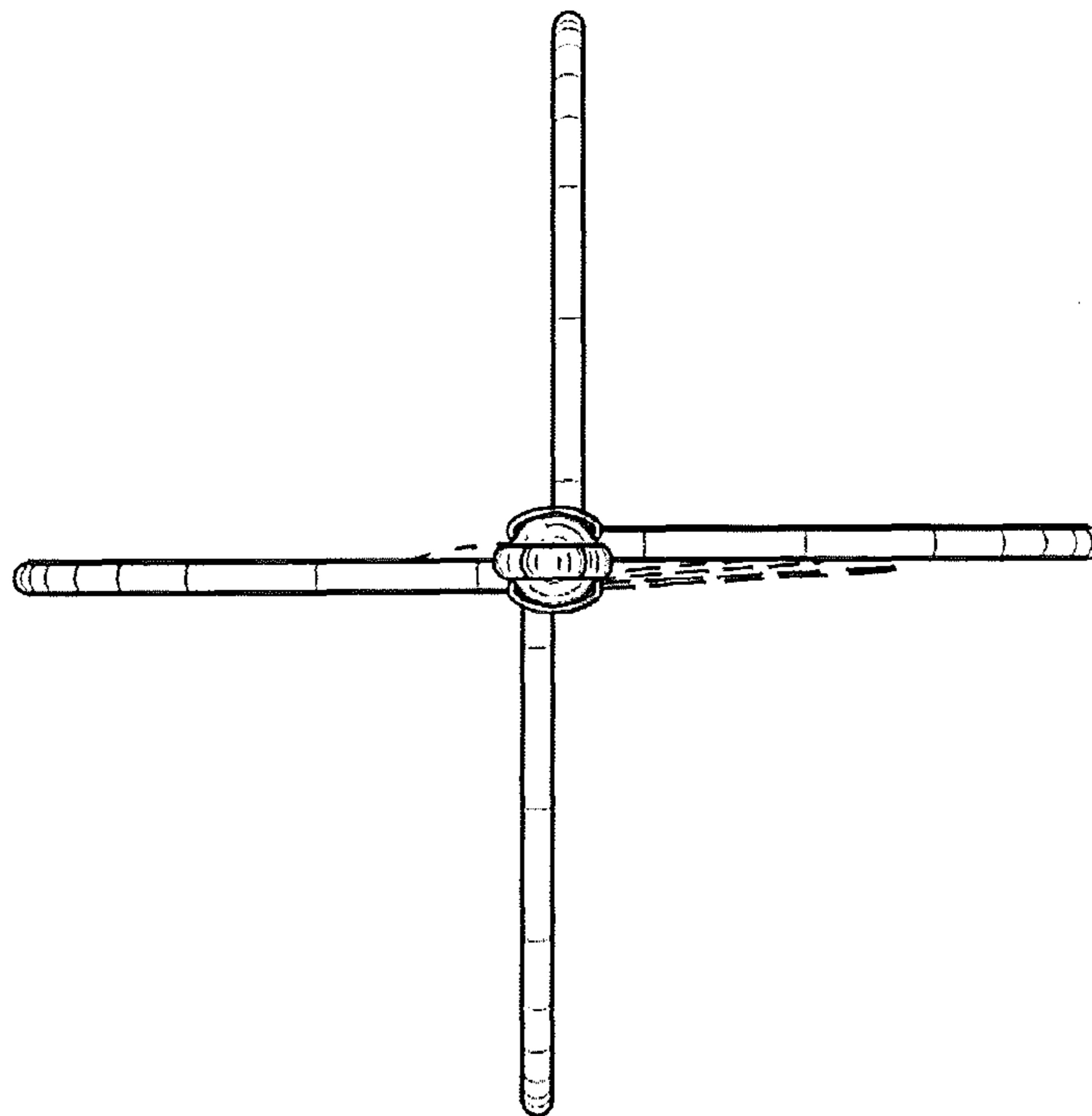


FIG. 6

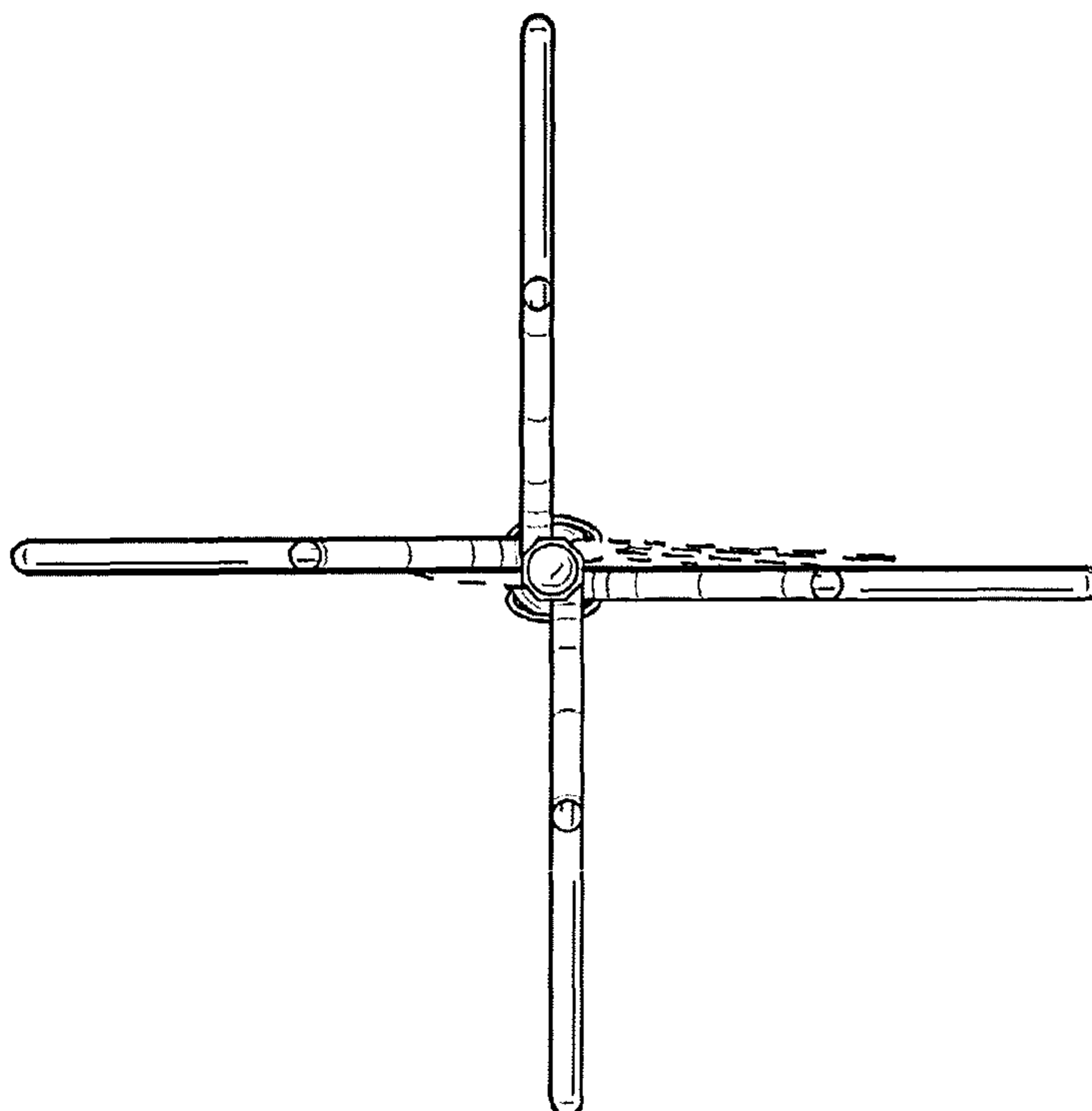


FIG. 7