



US00D713546S

(12) **United States Design Patent**  
**Murray**

(10) **Patent No.:** **US D713,546 S**

(45) **Date of Patent:** **\*\* Sep. 16, 2014**

(54) **FENCE**

(56) **References Cited**

U.S. PATENT DOCUMENTS

(71) Applicant: **David A. Murray**, Kenefick, TX (US)

D427,321 S *	6/2000	Simpson	.....	D25/38.1
7,934,699 B2 *	5/2011	Zell et al.	.....	256/24
2006/0273294 A1 *	12/2006	Dombroski	.....	256/24
2007/0057242 A1 *	3/2007	Higgins	.....	256/24

(72) Inventor: **David A. Murray**, Kenefick, TX (US)

\* cited by examiner

(\*\*) Term: **14 Years**

*Primary Examiner* — Doris Clark

(21) Appl. No.: **29/450,691**

(57) **CLAIM**

The ornamental design for a fence, as shown and described.

(22) Filed: **Mar. 21, 2013**

**DESCRIPTION**

(51) **LOC (10) Cl.** ..... **25-02**

(52) **U.S. Cl.**  
USPC ..... **D25/38.1**

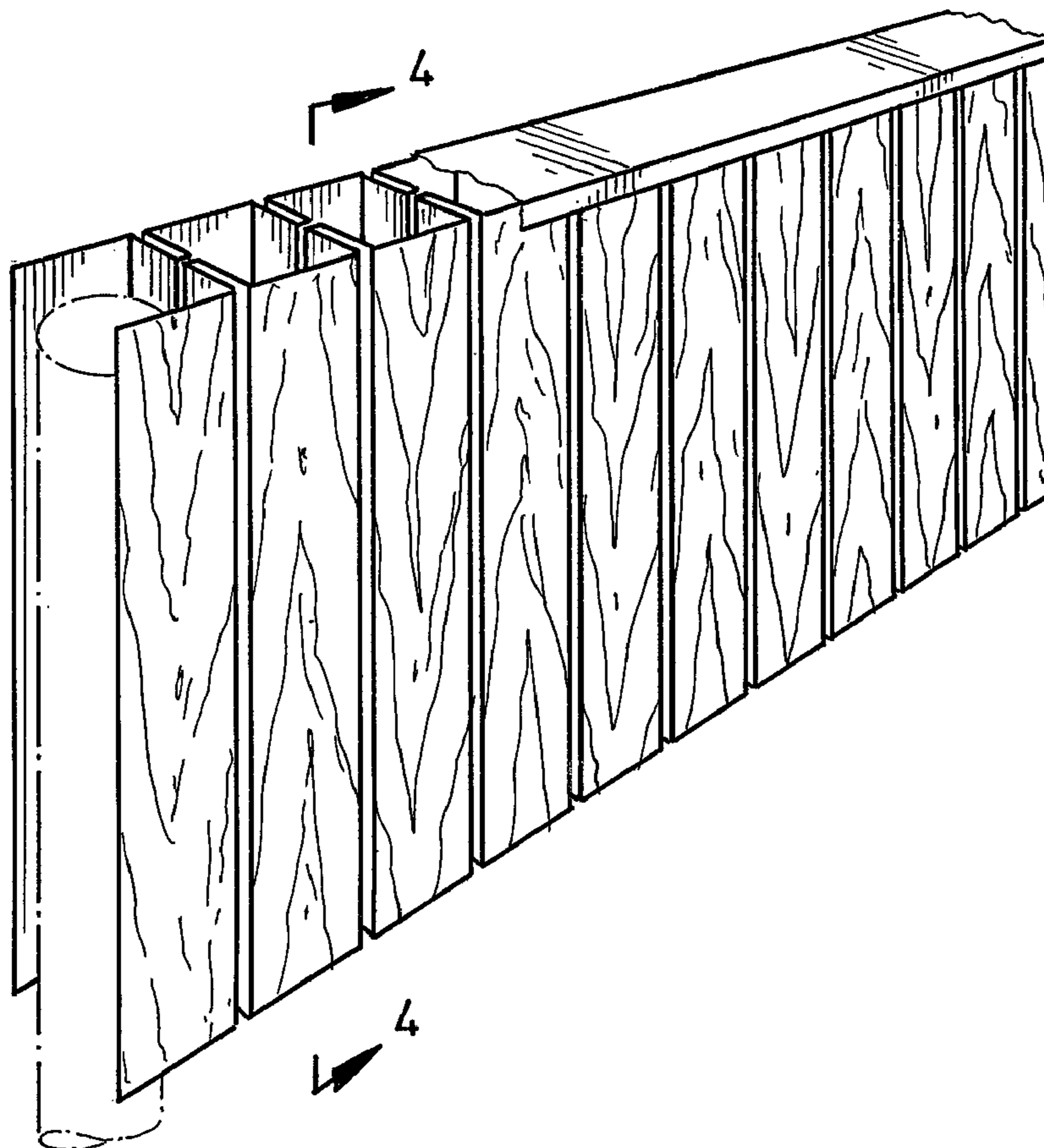
(58) **Field of Classification Search**  
USPC ..... D25/38.1, 39; 256/24, 73, 19, 20, 21,  
256/22

FIG. 1 is a perspective view of a fence;  
FIG. 2 is a top plan view thereof, the bottom view being the same;  
FIG. 3 is a right side elevation view thereof, the left side elevation view being the same; and,  
FIG. 4 is a section view thereof as seen along section lines 4-4 of FIG. 1.

The broken lines are for illustrative purposes only and form no part of the claimed design.

See application file for complete search history.

**1 Claim, 1 Drawing Sheet**



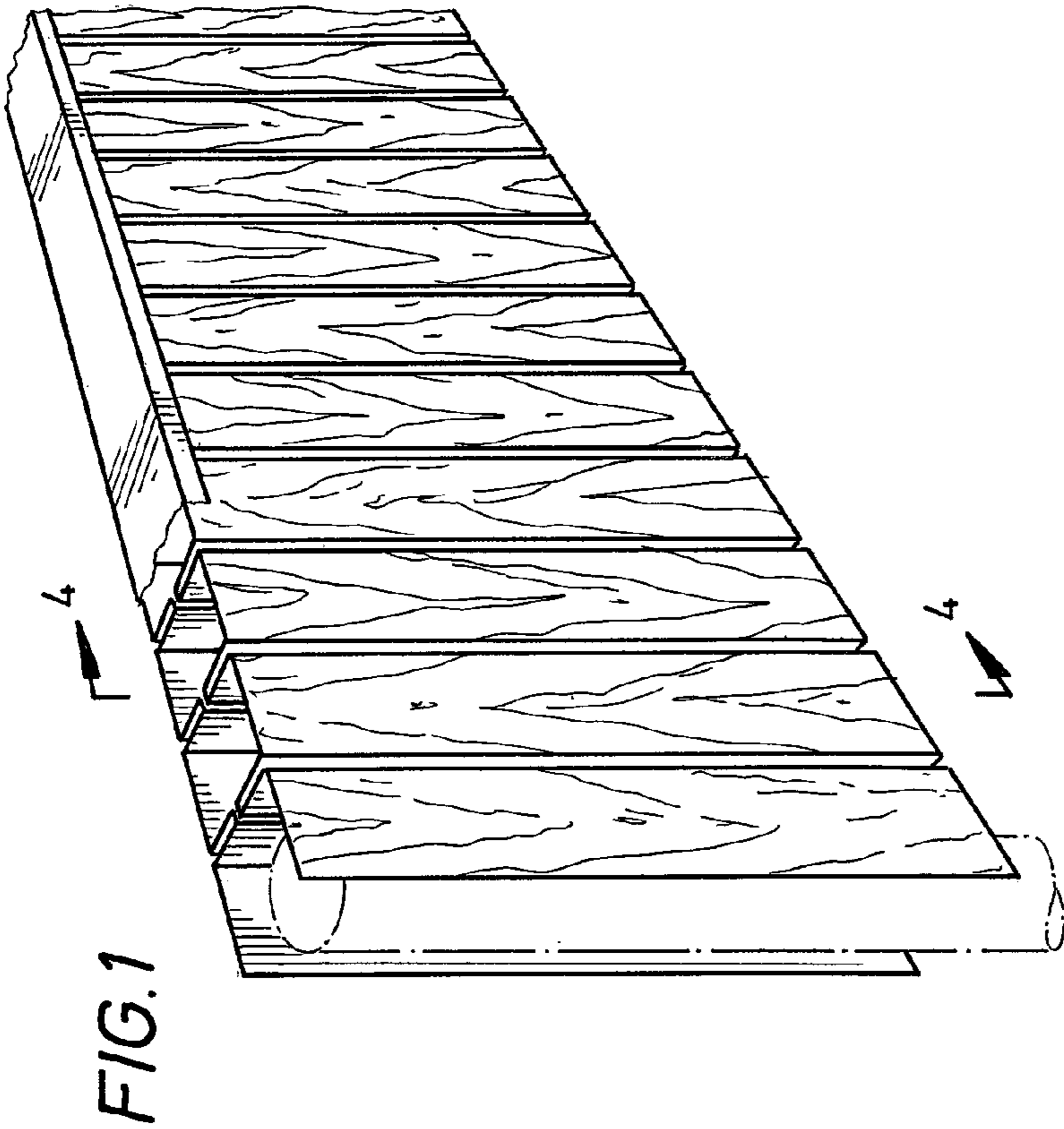


FIG. 1

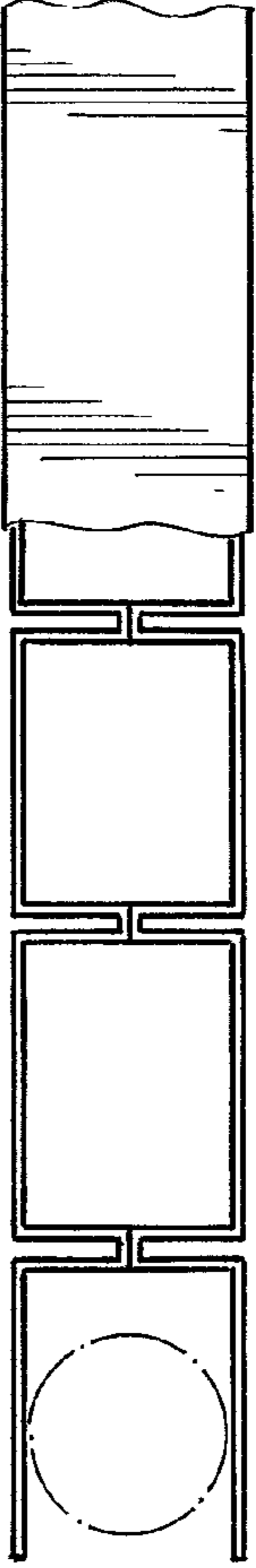


FIG. 2

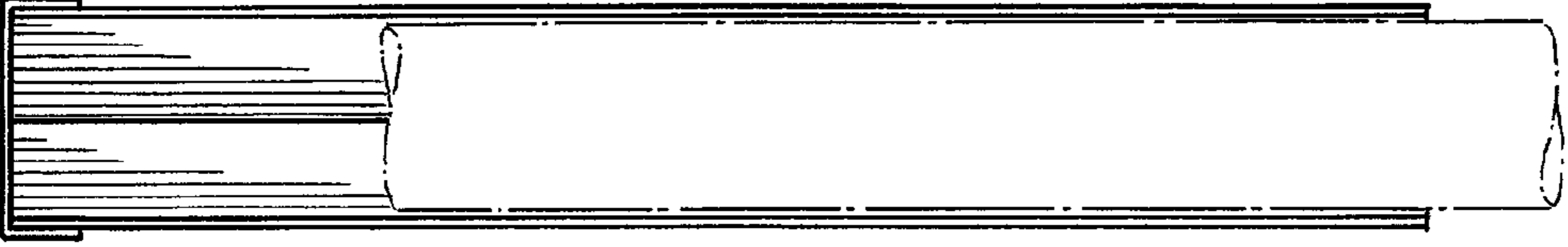


FIG. 3

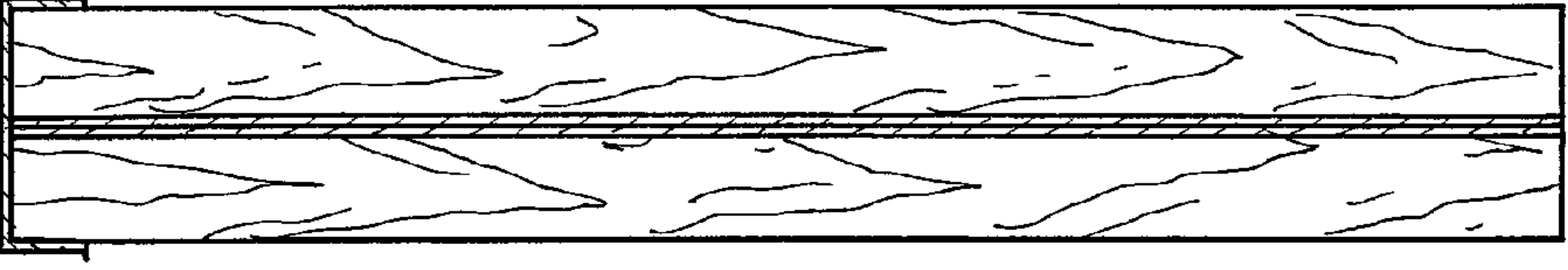


FIG. 4