



US00D713542S

(12) **United States Design Patent**
LaFaver

(10) **Patent No.:** **US D713,542 S**

(45) **Date of Patent:** **** Sep. 16, 2014**

(54) **PROTECTIVE SLEEVE FOR A VIAL**

(75) Inventor: **Daniel Victor LaFaver**, Golden, CO
(US)

(73) Assignee: **Daniel LaFaver**, Golden, CO (US)

(**) Term: **14 Years**

(21) Appl. No.: **29/419,503**

(22) Filed: **Apr. 28, 2012**

Related U.S. Application Data

(63) Continuation-in-part of application No. 11/699,824,
filed on Jan. 30, 2007, now abandoned.

(51) **LOC (10) Cl.** **24-01**

(52) **U.S. Cl.**
USPC **D24/224**

(58) **Field of Classification Search**

USPC D24/216, 223, 224, 225, 226, 227, 229,
D24/230, 231, 232; D10/81; D9/444, 455,
D9/500, 501; D7/601, 605, 607, 608;
435/288.1–288.4, 304.1–304.3, 305.1,
435/305.2, 307, 294.1; 422/547, 549,
422/550–559; 206/530, 534; 220/737, 739,
220/903; D3/201, 203.1, 203.2, 203.3, 202

See application file for complete search history.

(56) **References Cited**

U.S. PATENT DOCUMENTS

2,279,075 A * 4/1942 Street et al. 215/12.1
4,353,869 A * 10/1982 Guth 422/558
D295,710 S * 5/1988 Hero D7/608

D298,013 S * 10/1988 Gibbons D9/444
D320,931 S * 10/1991 Siegel D9/551
5,222,534 A * 6/1993 Wilkinson, Jr. 141/88
5,299,700 A * 4/1994 Beniagar 215/12.1
D347,553 S * 6/1994 Schneider D7/607
5,975,343 A * 11/1999 Kelly et al. 220/737
D620,604 S * 7/2010 Alford D24/224
D627,479 S * 11/2010 Cofie D24/224
D632,802 S * 2/2011 Salinas et al. D24/224
D662,784 S * 7/2012 Fleck D7/607
2010/0038273 A1 * 2/2010 Johnson 206/459.5

* cited by examiner

Primary Examiner — Anhdao Doan

(74) *Attorney, Agent, or Firm* — Daniel LaFaver

(57) **CLAIM**

The ornamental design for a protective sleeve for a vial, as shown and described.

DESCRIPTION

FIG. 1 is a perspective view of a protective sleeve for a vial showing my new design;

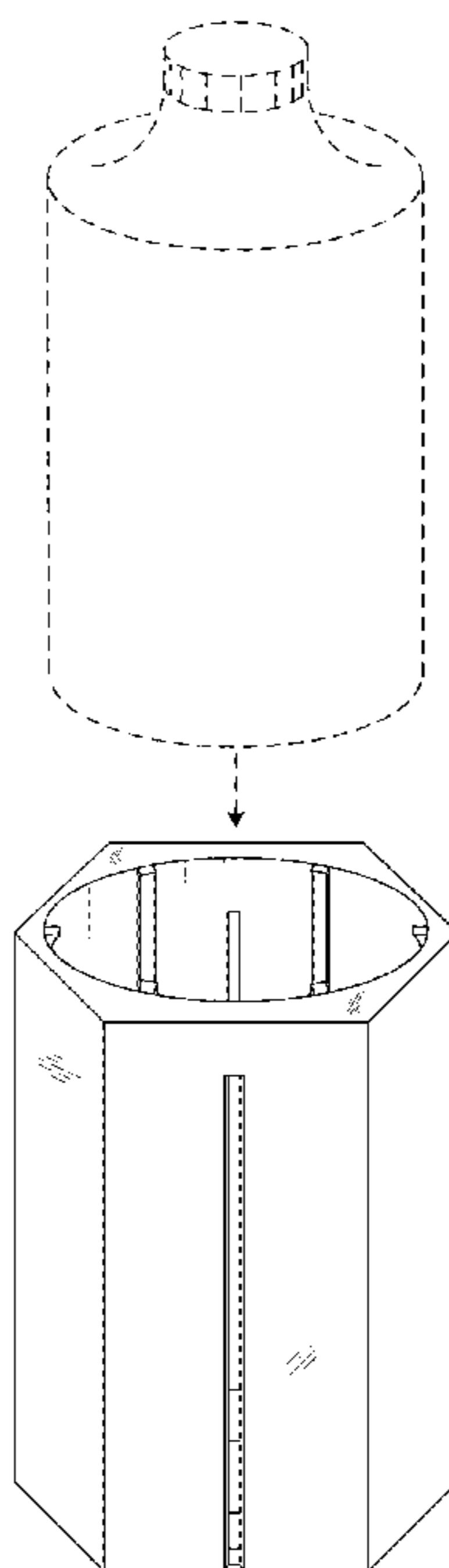
FIG. 2 is a top plan view thereof;

FIG. 3 is a bottom plan view thereof; and,

FIG. 4 is a sectional perspective view similar to FIG. 1 with the section running parallel to the longitudinal axis of the protective sleeve for a vial.

The broken line showing of a medicinal vial in FIG. 1 is included for the purpose of illustrating non-claimed subject matter and forms no part of the claimed design. Surfaces or portions of the protective sleeve for a vial not shown in the drawings or described in the specification form no part of the claimed design.

1 Claim, 4 Drawing Sheets



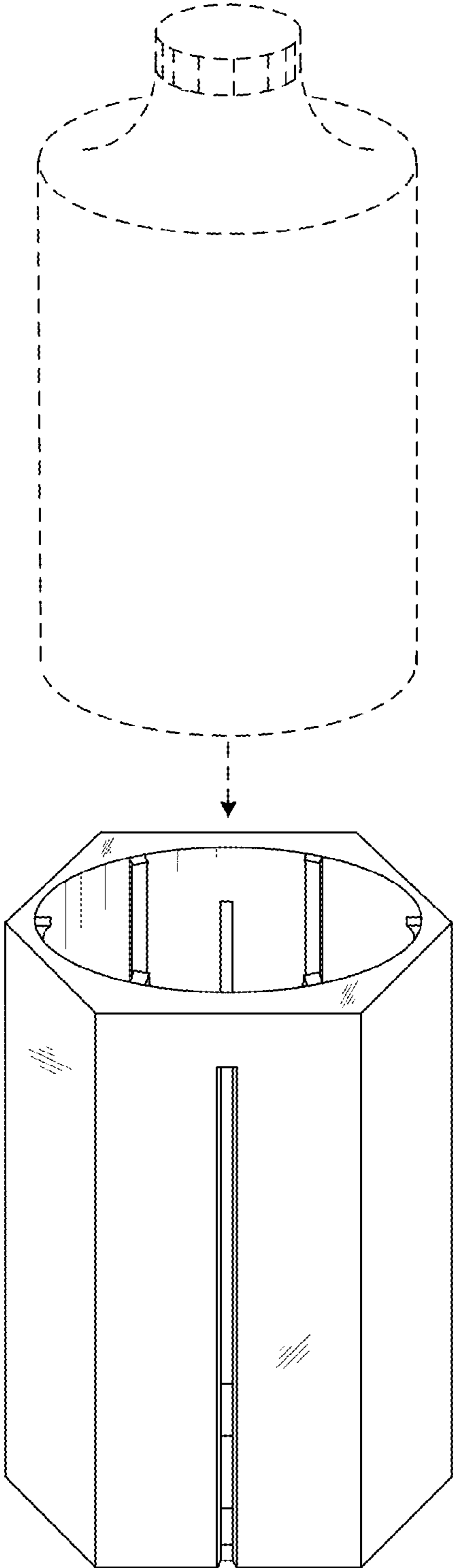


FIG 1

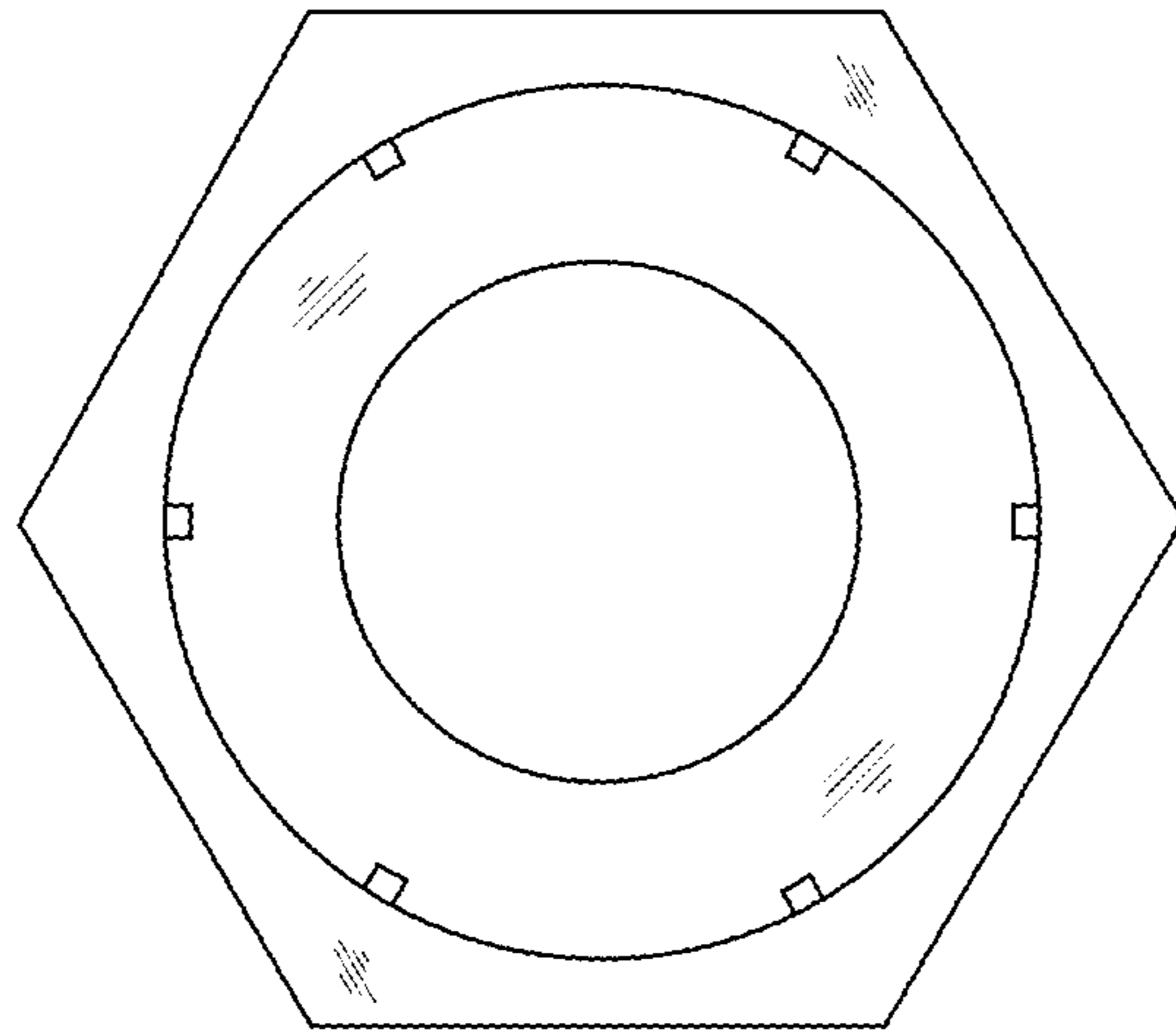


FIG 2

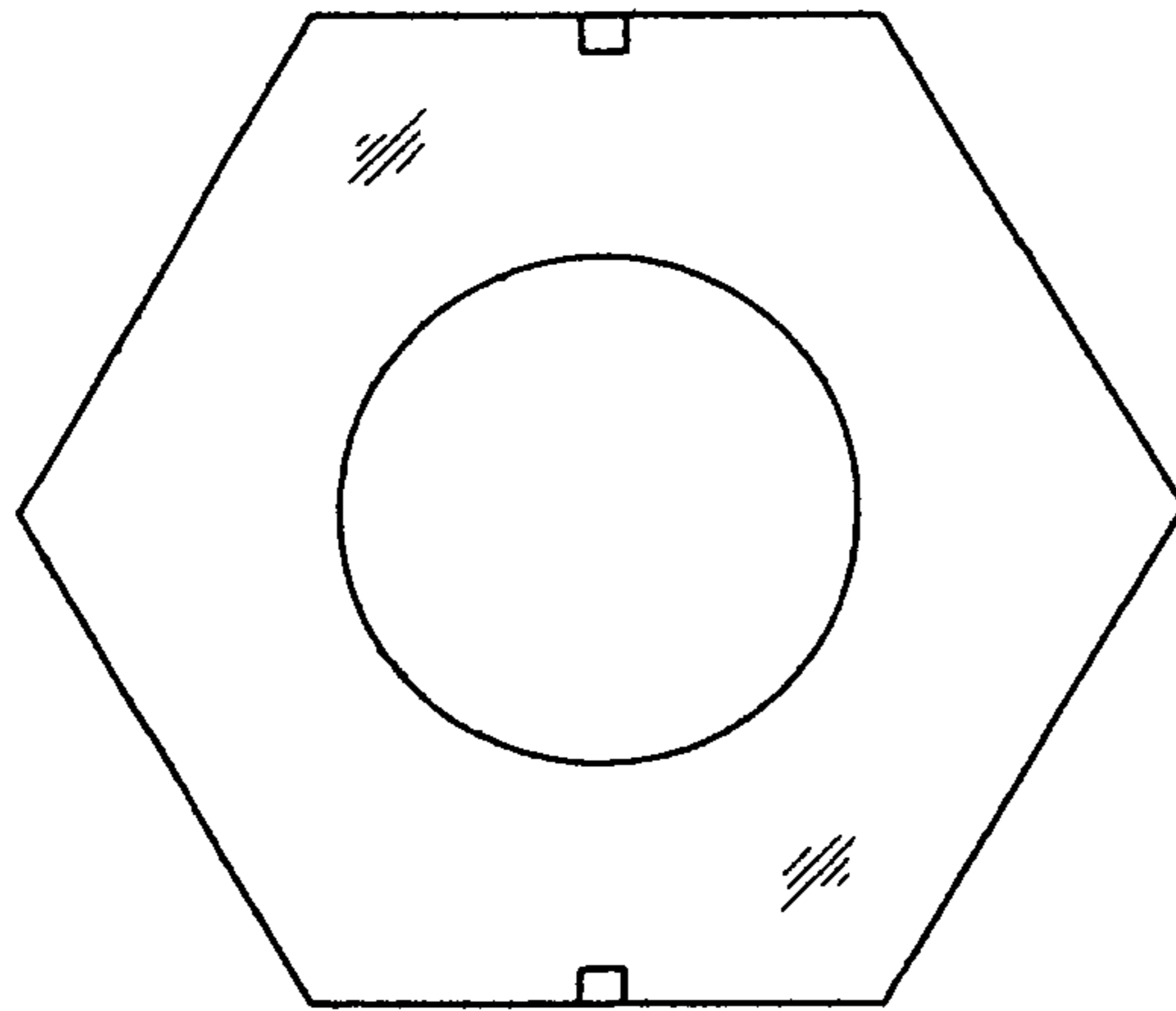


FIG 3

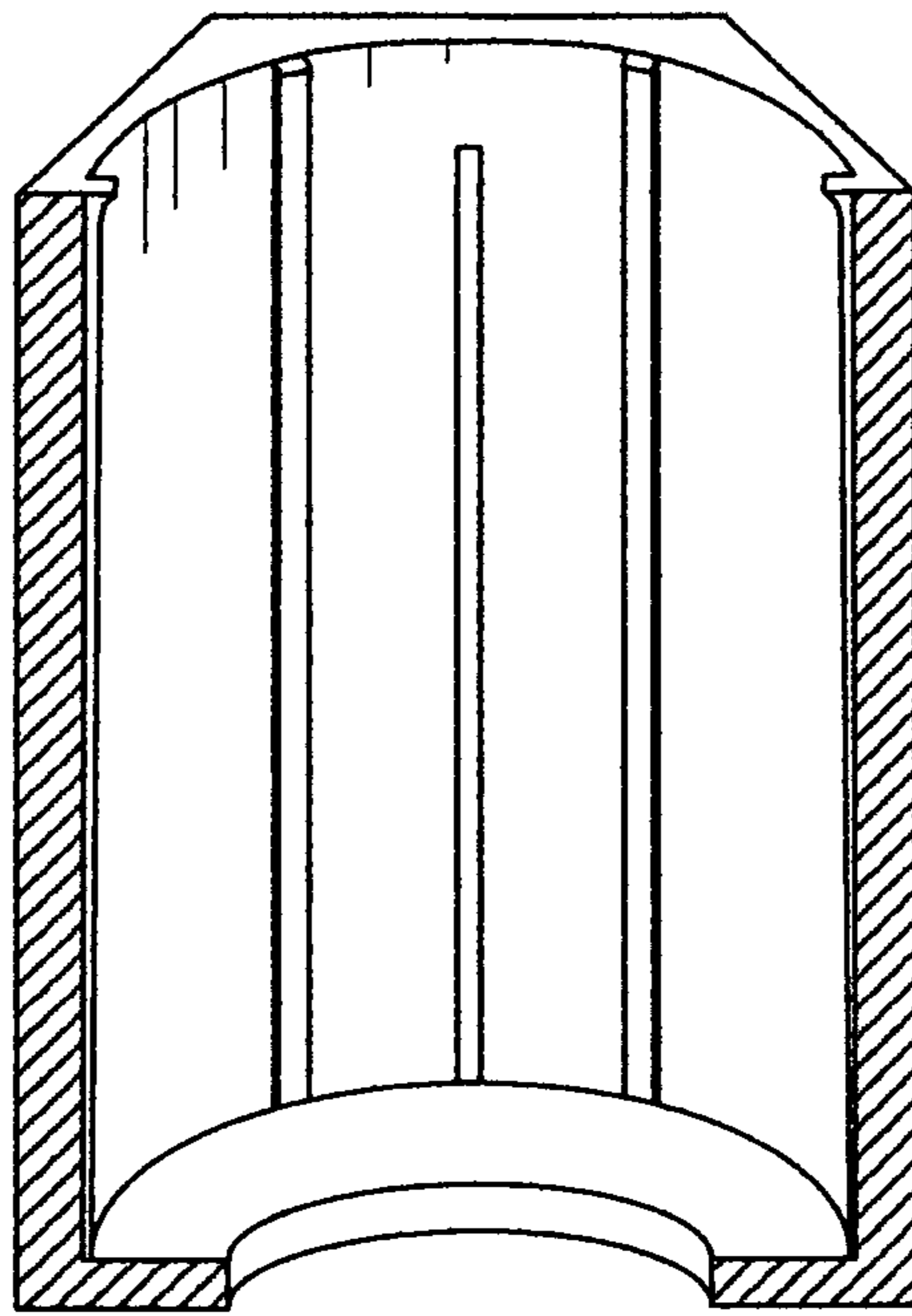


FIG 4