



US00D713541S

(12) **United States Design Patent**
LaFaver

(10) **Patent No.:** **US D713,541 S**

(45) **Date of Patent:** **** Sep. 16, 2014**

(54) **PROTECTIVE SLEEVE FOR A VIAL**

(75) Inventor: **Daniel Victor LaFaver**, Golden, CO (US)

(73) Assignee: **Daniel LaFaver**, Golden, CO (US)

(**) Term: **14 Years**

(21) Appl. No.: **29/419,500**

(22) Filed: **Apr. 27, 2012**

Related U.S. Application Data

(63) Continuation-in-part of application No. 11/699,824, filed on Jan. 30, 2007, now abandoned.

(51) **LOC (10) Cl.** **24-01**

(52) **U.S. Cl.**
USPC **D24/224**

(58) **Field of Classification Search**

USPC D24/216, 223, 224, 225, 226, 227, 229, D24/230, 231, 232; D10/81; D9/444, 455, D9/500, 501; D7/601, 605, 607, 608; 435/288.1–288.4, 304.1–304.3, 305.1, 435/305.2, 307, 294.1; 422/547, 549, 422/550–559; 206/530, 534; 220/737, 739, 220/903; D3/201, 203.1, 203.2, 203.3, 202

See application file for complete search history.

(56) **References Cited**

U.S. PATENT DOCUMENTS

2,279,075 A * 4/1942 Street et al. 215/12.1
4,353,869 A * 10/1982 Guth 422/558

D298,013	S	*	10/1988	Gibbons	D9/444
D304,972	S	*	12/1989	Baxter	D24/224
D320,931	S	*	10/1991	Siegel	D9/551
5,467,891	A	*	11/1995	Perry	220/739
D405,192	S	*	2/1999	Smith et al.	D24/227
5,975,343	A	*	11/1999	Kelly et al.	220/737
D565,412	S	*	4/2008	Fuller	D9/503
D620,604	S	*	7/2010	Alford	D24/224
D632,802	S	*	2/2011	Salinas et al.	D24/224
2010/0038273	A1	*	2/2010	Johnson	206/459.5
2011/0192859	A1	*	8/2011	Belford	220/739

* cited by examiner

Primary Examiner — Anhdao Doan

(74) *Attorney, Agent, or Firm* — Daniel LaFaver

(57) **CLAIM**

The ornamental design for a protective sleeve for a vial, as shown and described.

DESCRIPTION

FIG. 1 is a perspective view of a protective sleeve for a vial showing my new design;

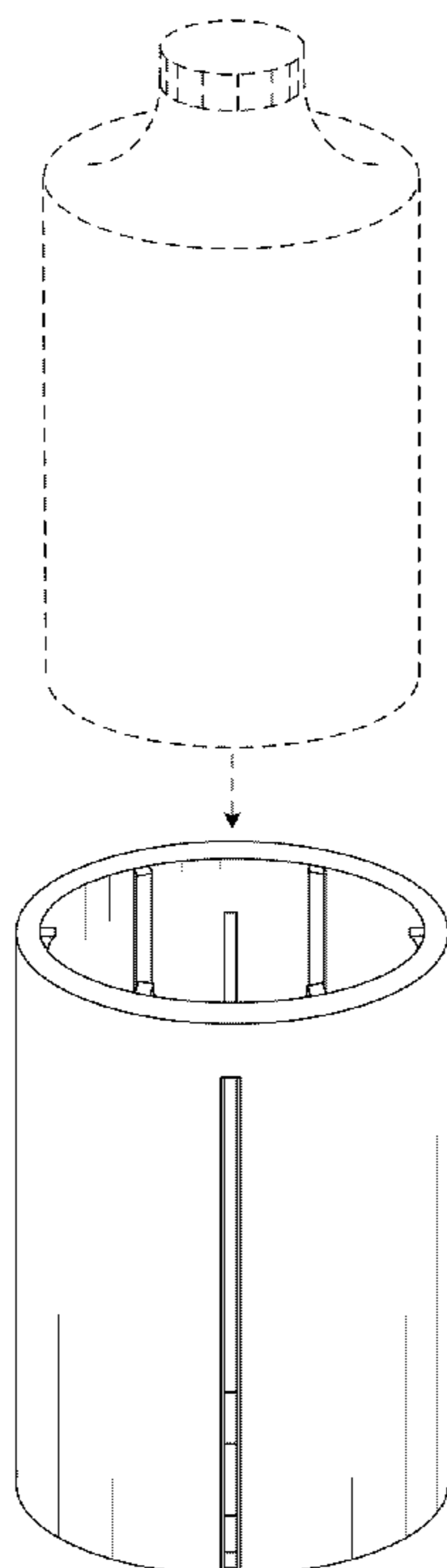
FIG. 2 is a top plan view thereof;

FIG. 3 is a bottom plan view thereof; and,

FIG. 4 is a sectional perspective view similar to FIG. 1 with the section running parallel to the longitudinal axis of the protective sleeve for a vial.

The broken line showing of a medicinal vial in FIG. 1 is included for the purpose of illustrating non-claimed subject matter and forms no part of the claimed design. Surfaces or portions of the protective sleeve for a vial not shown in the drawings or described in the specification form no part of the claimed design.

1 Claim, 4 Drawing Sheets



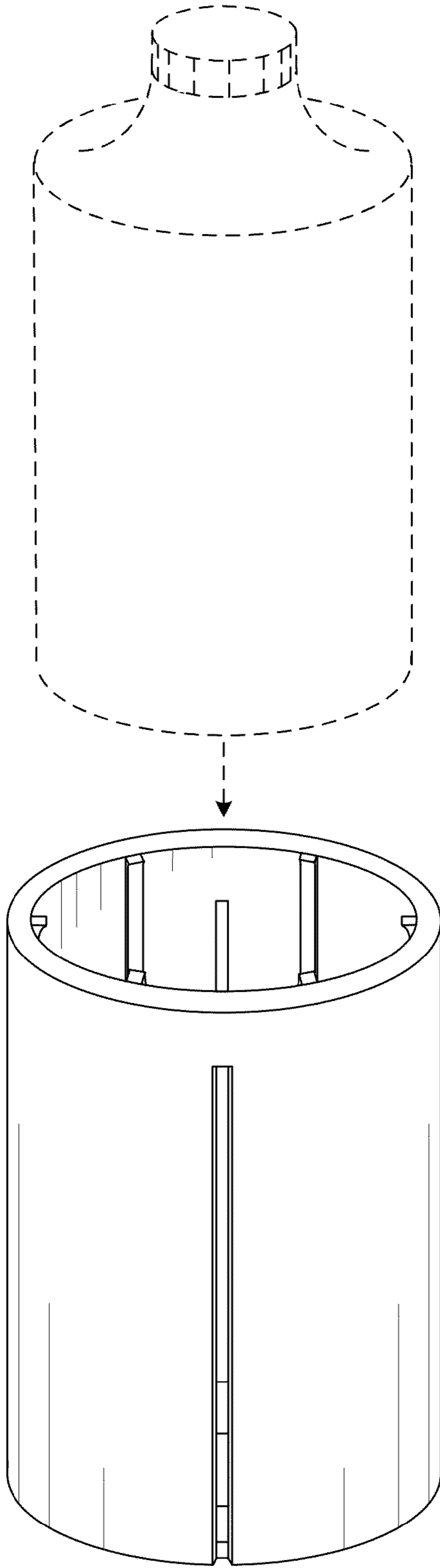


FIG 1

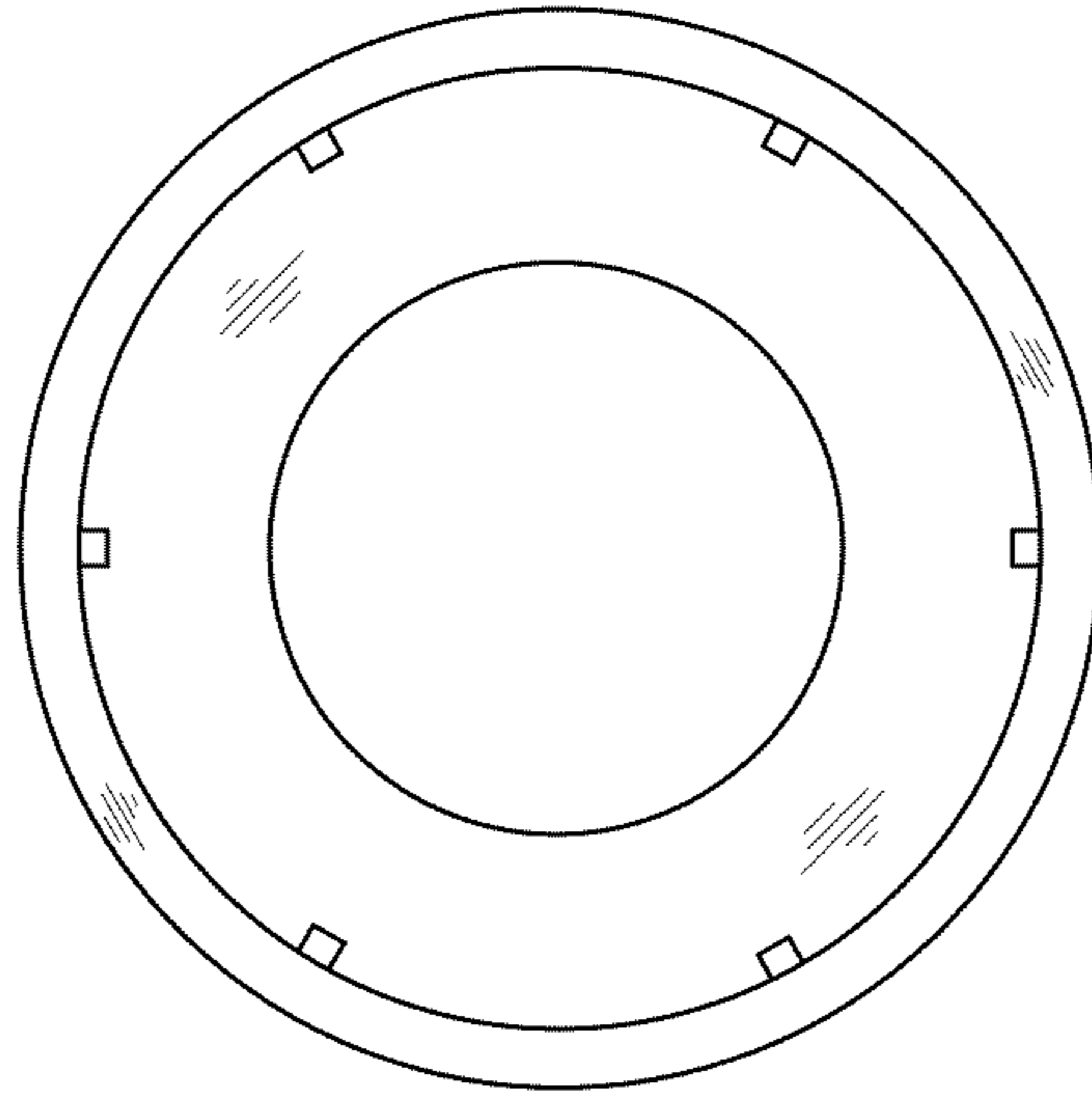


FIG 2

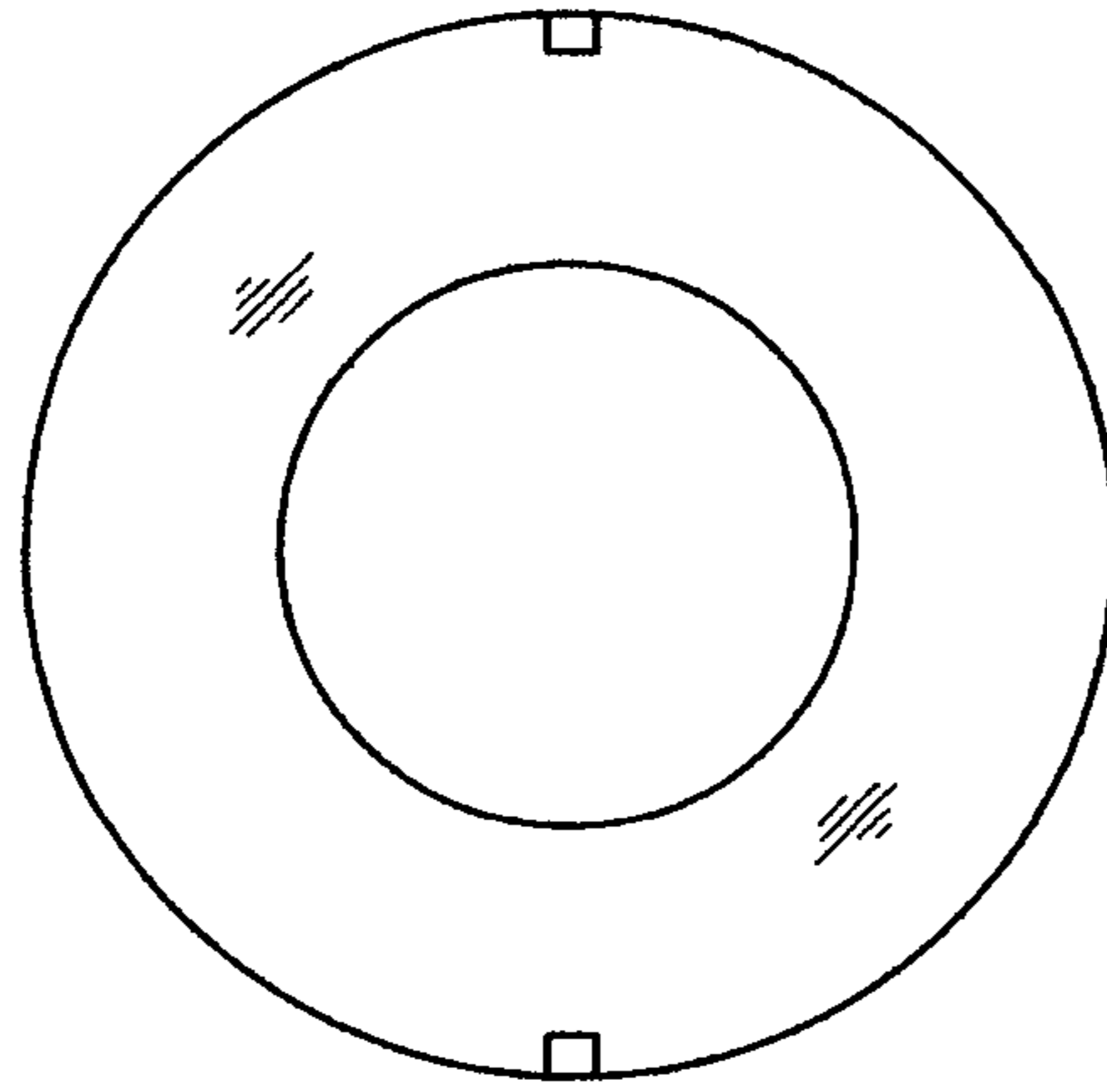


FIG 3

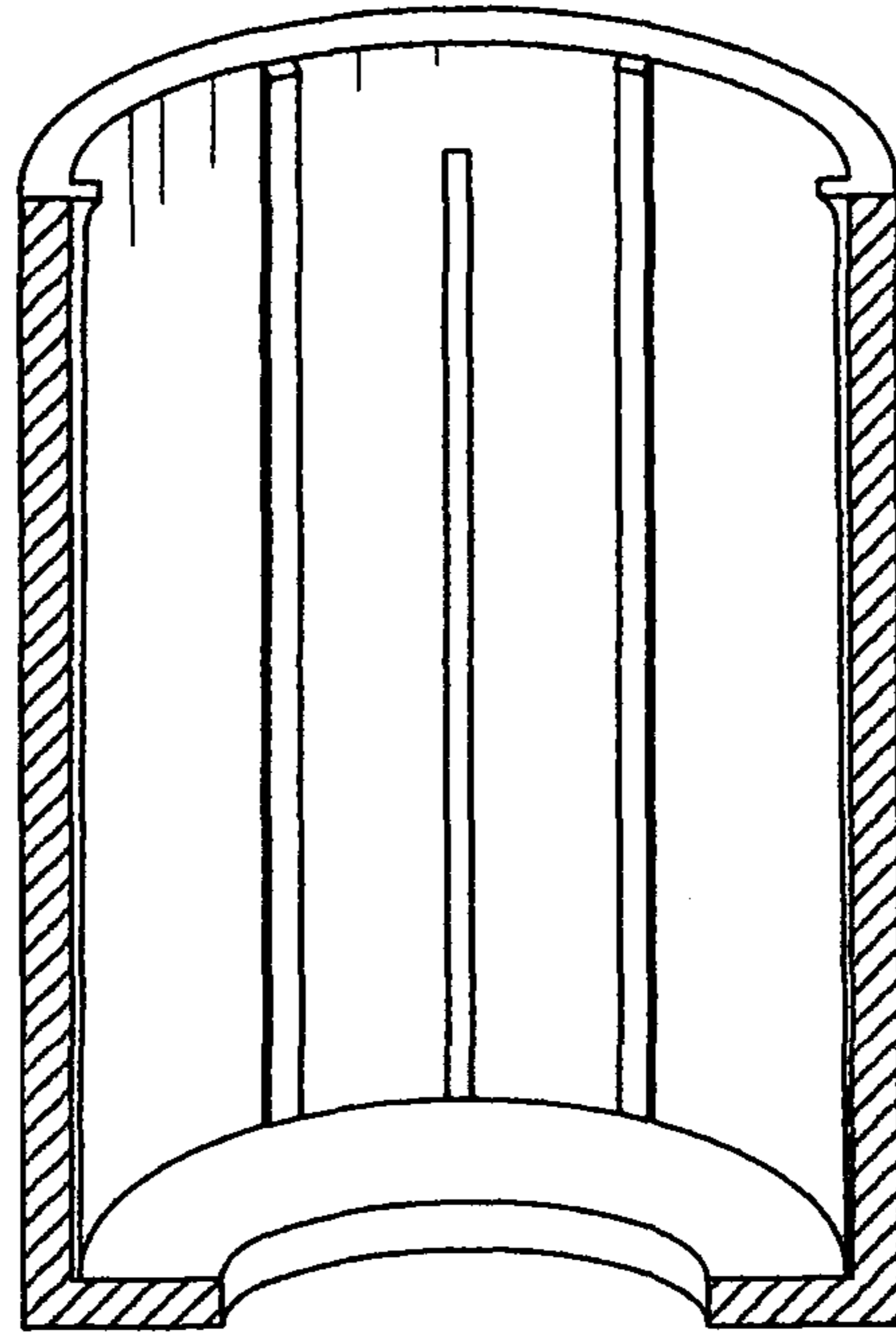


FIG 4