

US00D713540S

(12) **United States Design Patent**
Petrie et al.

(10) **Patent No.:** **US D713,540 S**

(45) **Date of Patent:** **** Sep. 16, 2014**

(54) **PILL SPLITTER**

(71) Applicants: **Aidan Petrie**, Jamestown, RI (US);
Daniel Nelsen, Central Falls, RI (US);
Kevin Browning, Warwick, RI (US)

(72) Inventors: **Aidan Petrie**, Jamestown, RI (US);
Daniel Nelsen, Central Falls, RI (US);
Kevin Browning, Warwick, RI (US)

(73) Assignee: **Health Enterprises, Inc.**, North
Attleboro, MA (US)

(**) Term: **14 Years**

(21) Appl. No.: **29/435,412**

(22) Filed: **Oct. 24, 2012**

(51) **LOC (10) Cl.** **24-01**

(52) **U.S. Cl.**
USPC **D24/220**

(58) **Field of Classification Search**
USPC D24/220, 221, 216, 224, 231, 232, 197,
D24/110, 133; D23/209, 365; D7/679, 682,
D7/372-374, 383, 384, 597, 400, 191, 545,
D7/509, 316, 565, 667, 317, 587; 241/168,
241/169, 169.1-169.2, 199.11, 273.2, 286,
241/262, 136, 30; D15/5; 604/708; 134/158
See application file for complete search history.

(56) **References Cited**

U.S. PATENT DOCUMENTS

D310,731 S * 9/1990 Lieptz D24/220
D405,889 S * 2/1999 Parsons D24/220
D419,684 S * 1/2000 Noble et al. D24/220
D420,140 S * 2/2000 Noble et al. D24/220

D468,023 S * 12/2002 Buckley et al. D24/220
7,673,778 B2 * 3/2010 Sze 225/104
2007/0228053 A1 * 10/2007 Darst 220/694
2008/0011803 A1 1/2008 Petrie et al.
2008/0011804 A1 1/2008 Petrie et al.
2008/0223893 A1 9/2008 Petrie et al.
2012/0060374 A1 * 3/2012 Noble et al. 30/124

OTHER PUBLICATIONS

<http://www.tech-medservices.com/oldSite/pillcutters.html>. *
[http://www.colonialmedical.com/clear-pill-splitter-P-2519.html](http://www.colonialmedical.com/clear-pill-splitter-P-2519.html&ref=shopping.google.com)
&ref=shopping.google.com.*
<http://www.dhgate.com/product/pack-of-20-all-new-travel-size-pill-splitter/155395336.html>.*

* cited by examiner

Primary Examiner — Ian Simmons

Assistant Examiner — Rhea Shields

(74) *Attorney, Agent, or Firm* — Salter & Michaelson

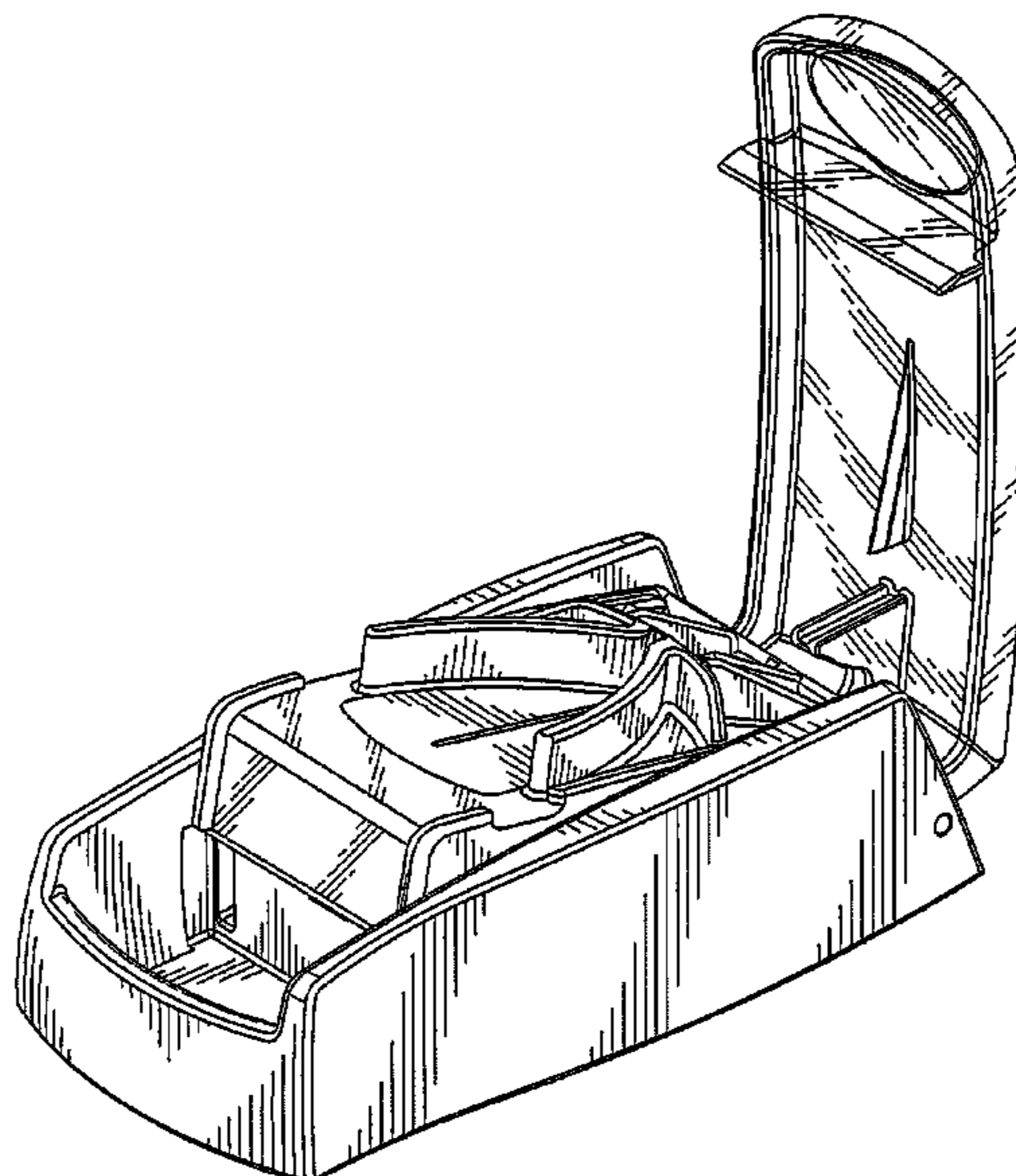
(57) **CLAIM**

The ornamental design for a pill splitter, as shown.

DESCRIPTION

FIG. 1 is a perspective view of a pill splitter;
FIG. 2 is a top plan view thereof;
FIG. 3 is a bottom plan view thereof;
FIG. 4 is a right side elevational view thereof;
FIG. 5 is a left side elevational view thereof;
FIG. 6 is a front elevational view thereof;
FIG. 7 is a rear elevational view thereof; and,
FIG. 8 is a perspective view thereof showing the pill splitter
open.

1 Claim, 7 Drawing Sheets



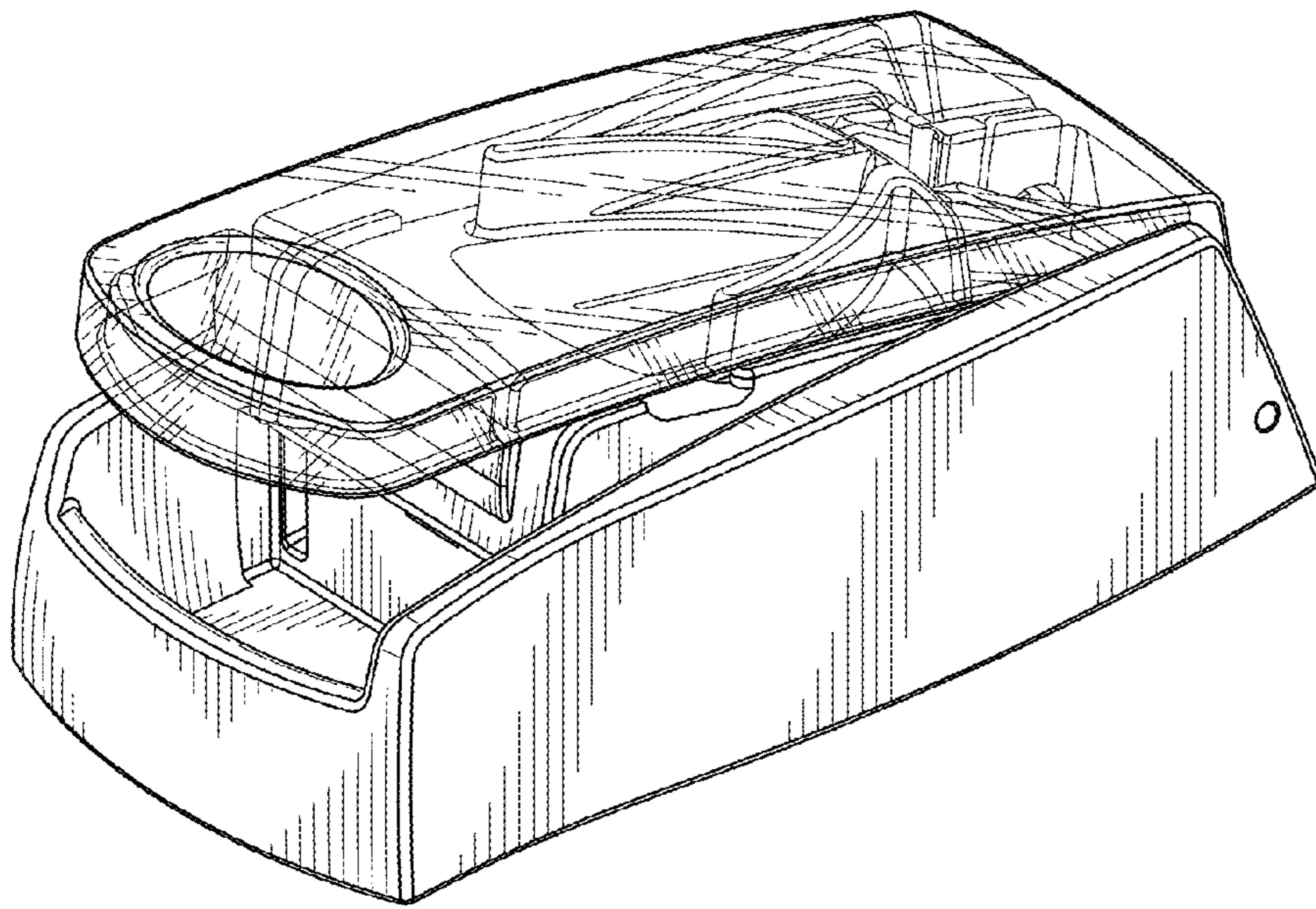


FIG. 1

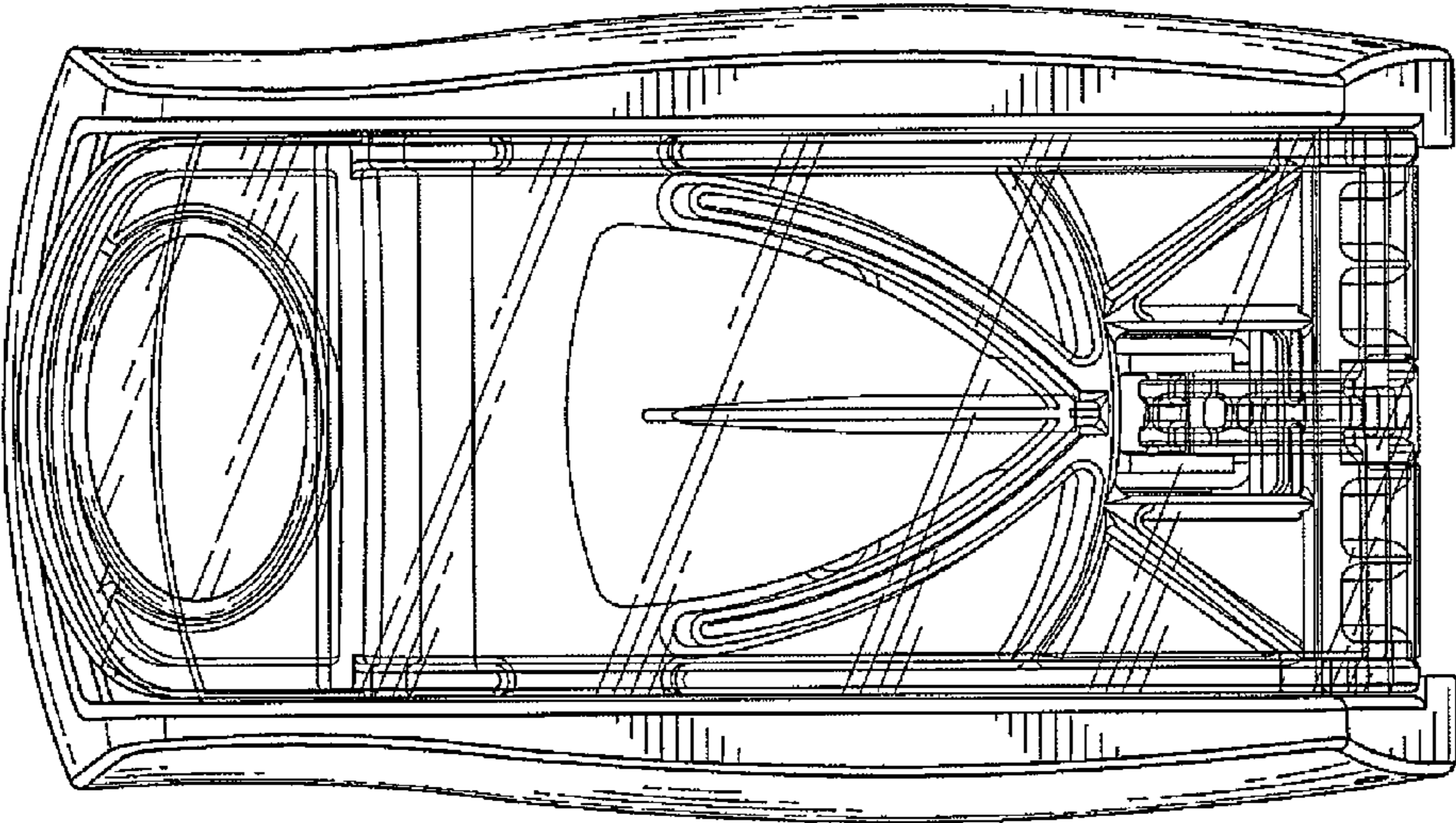


FIG. 2

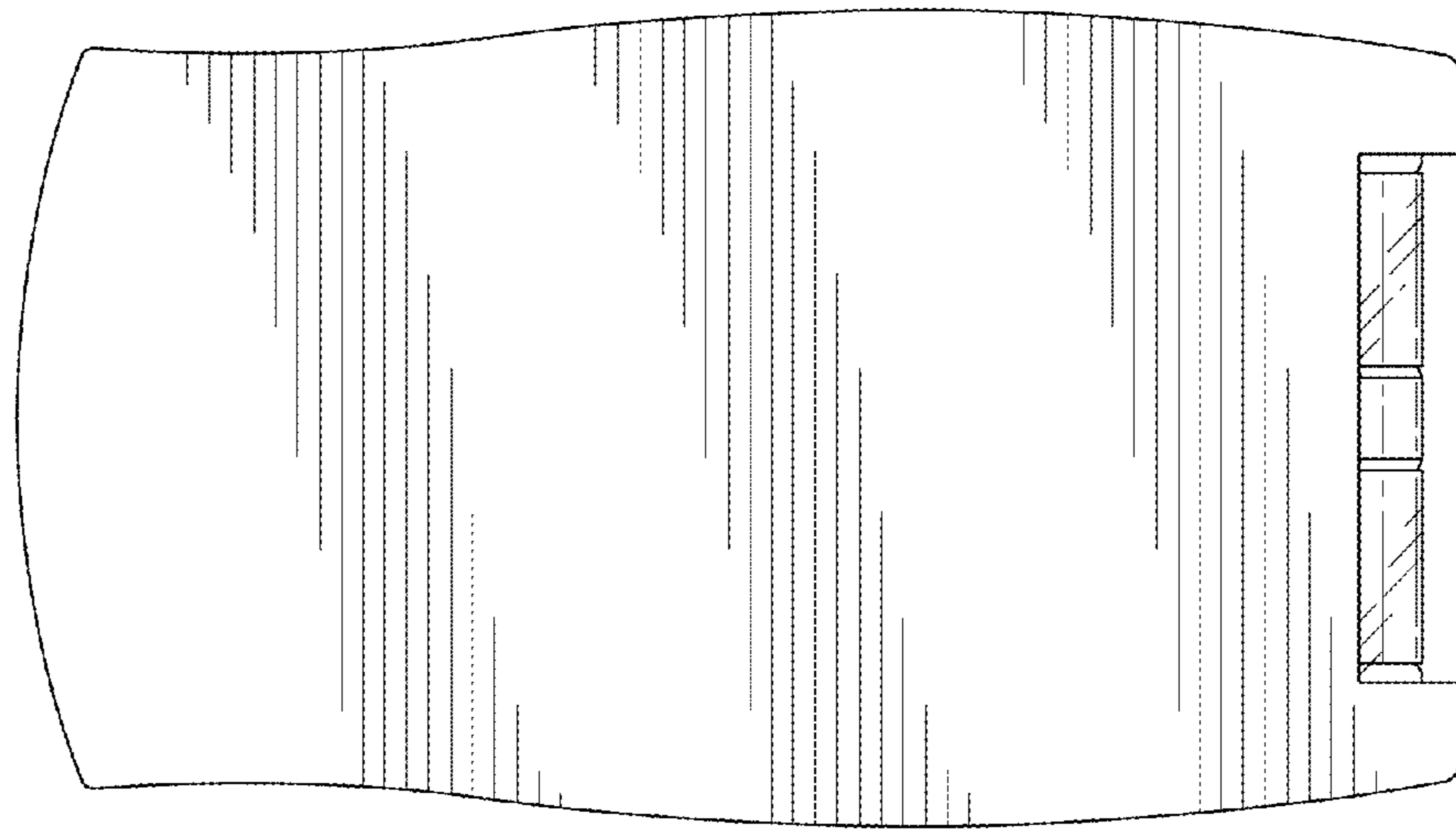


FIG. 3

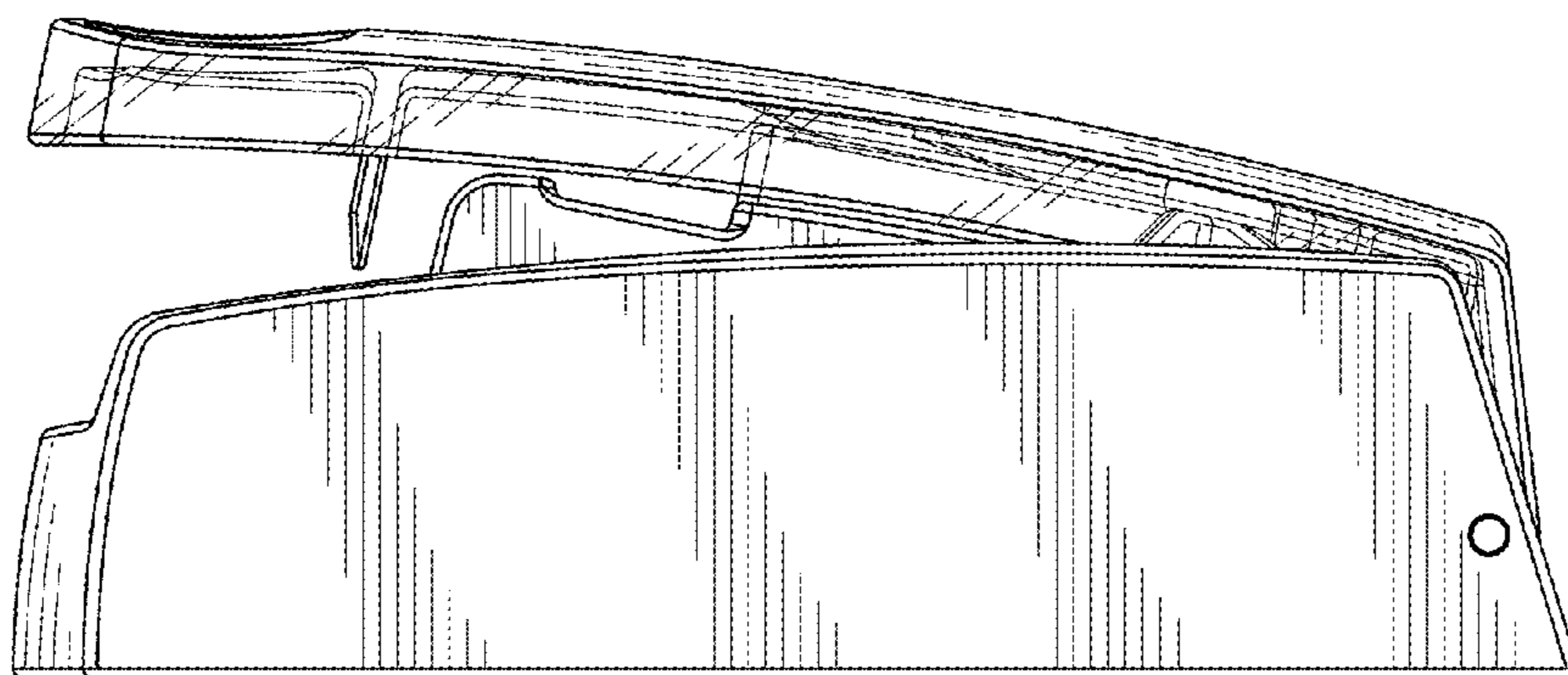


FIG. 4

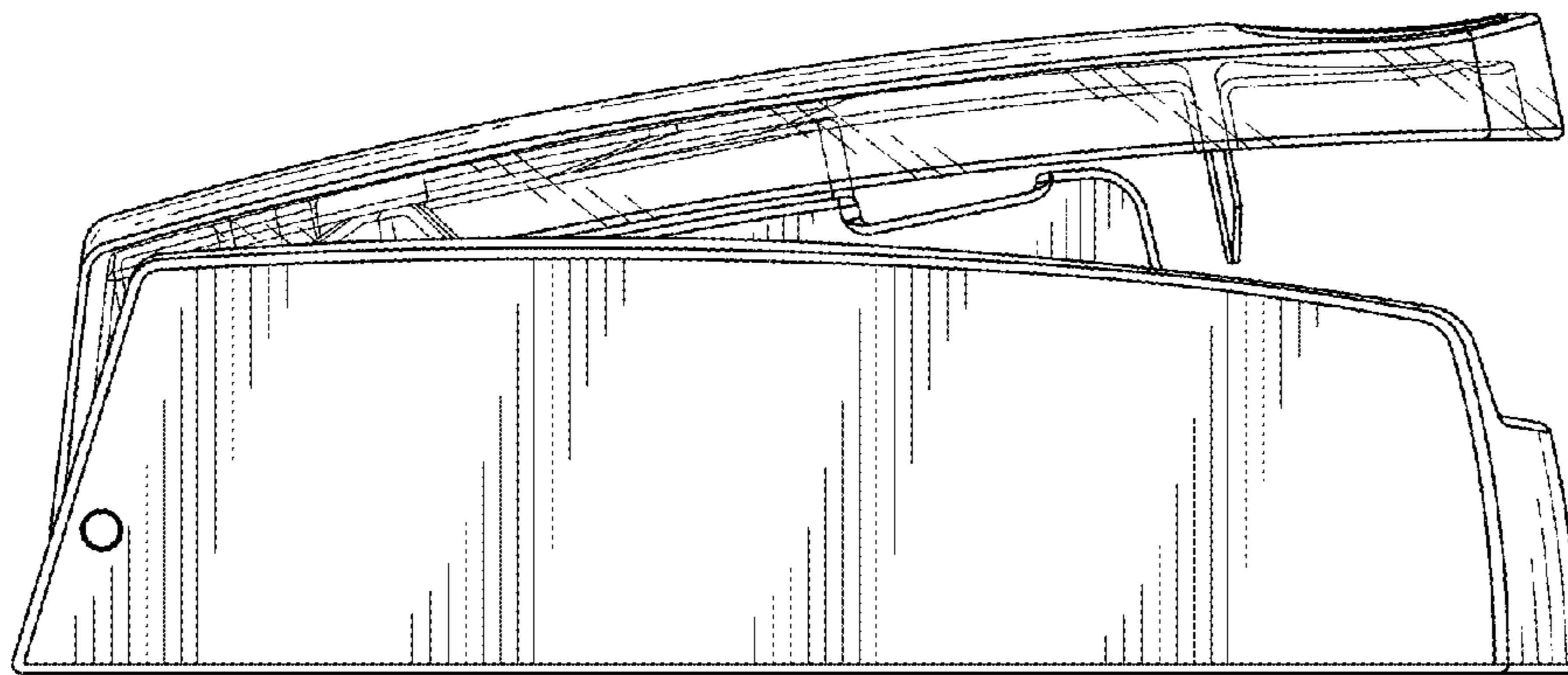


FIG. 5

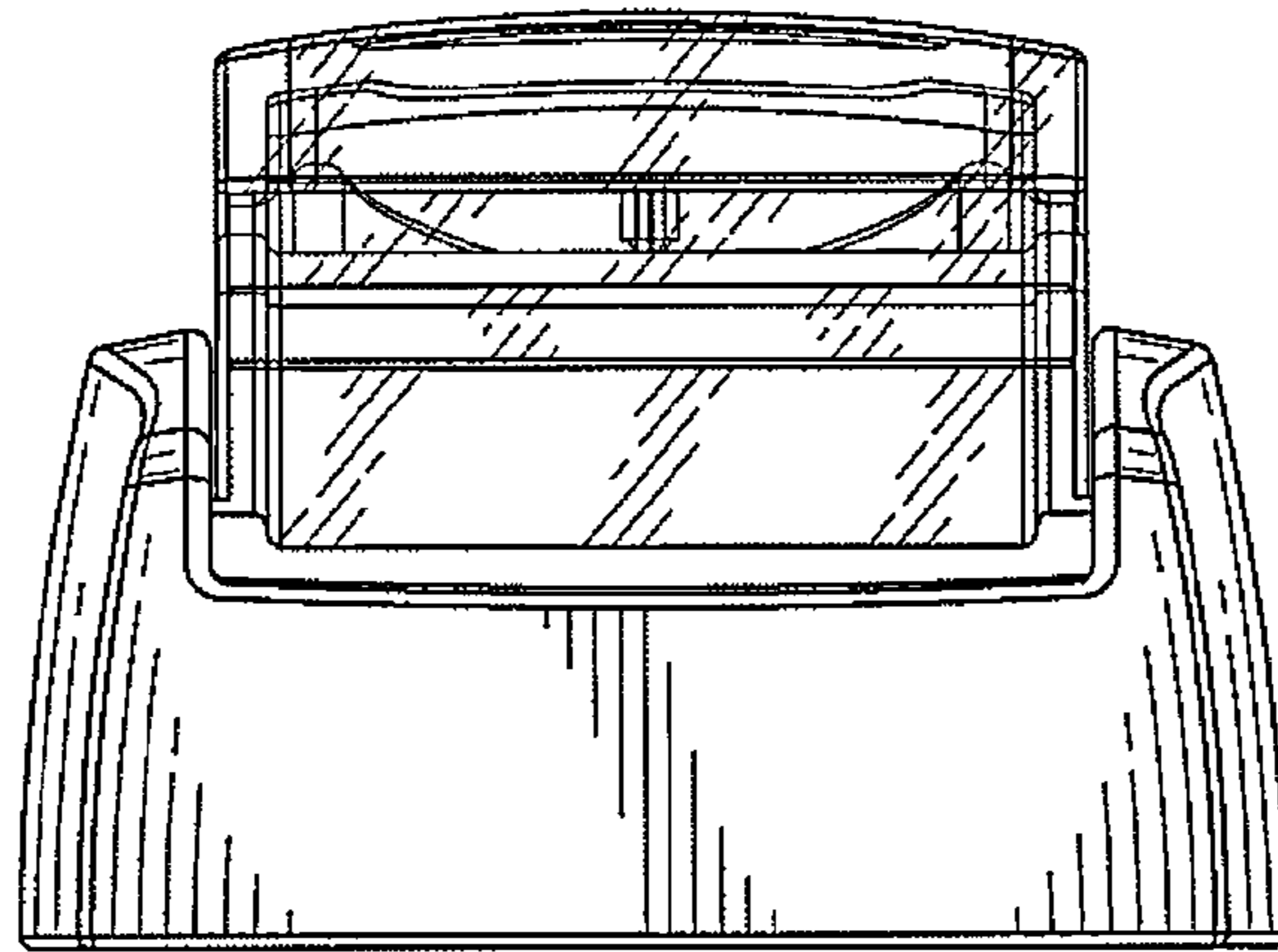


FIG. 6

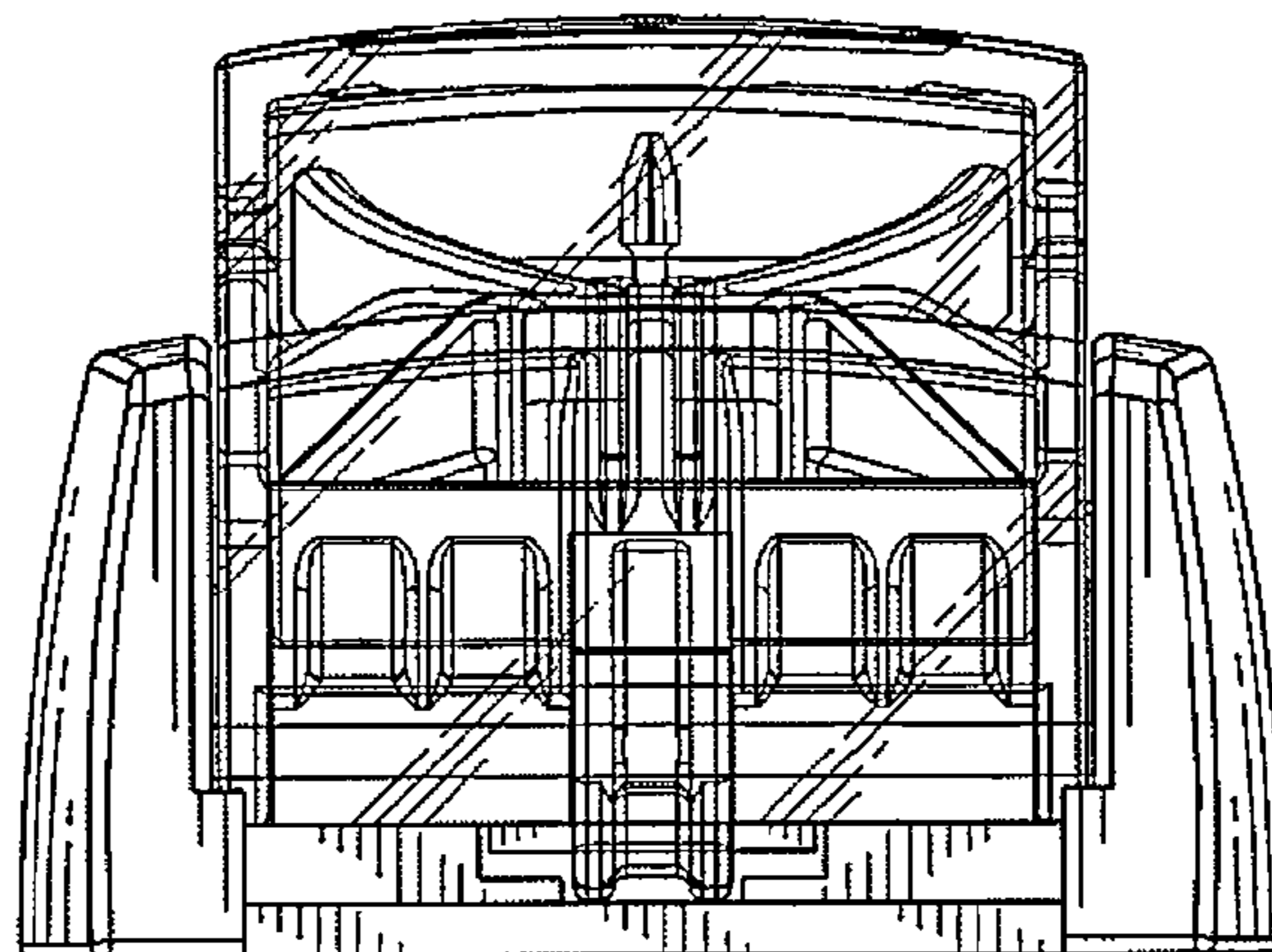


FIG. 7

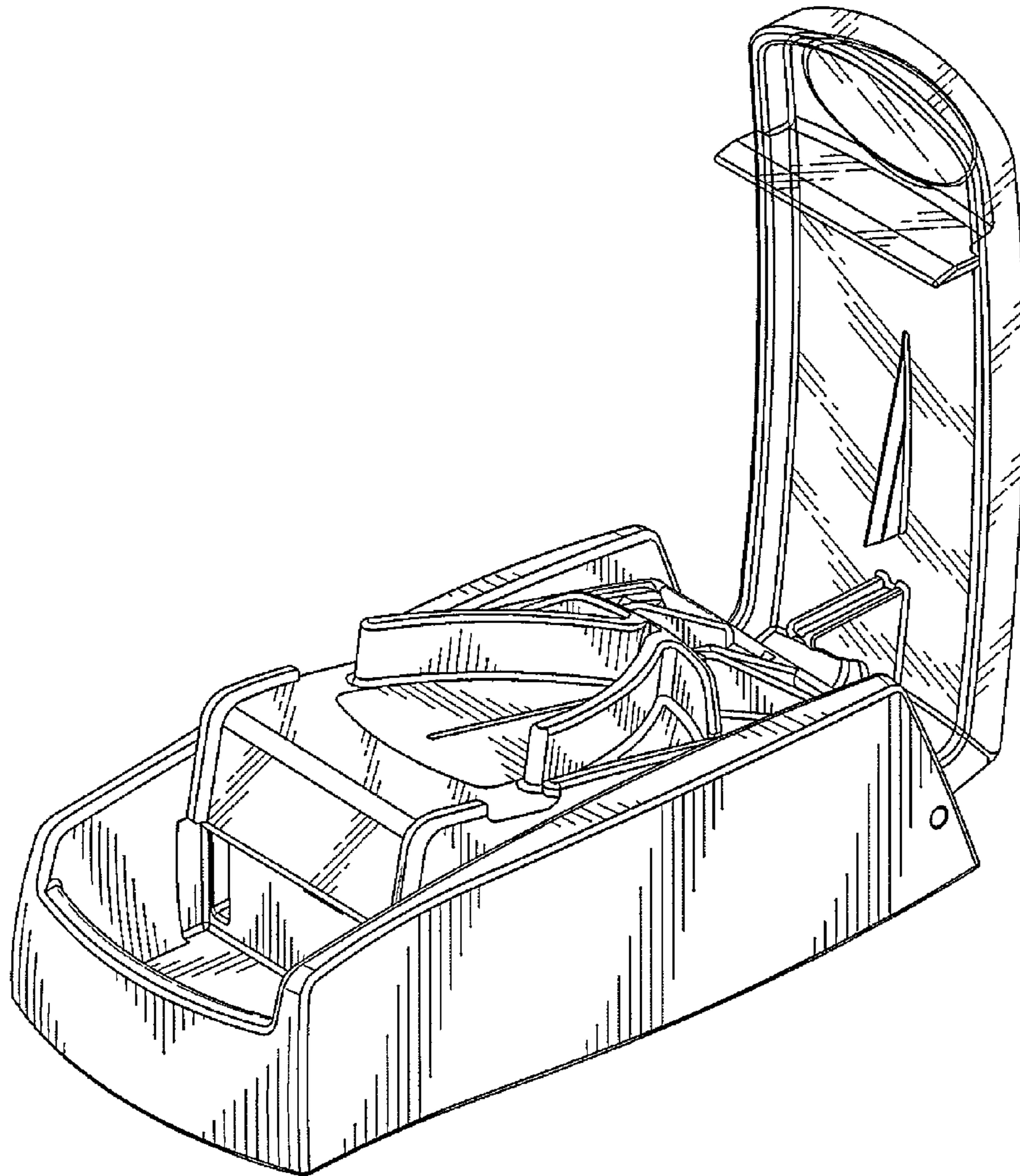


FIG. 8