



US00D713539S

(12) **United States Design Patent**  
**Soltész-Nagy**

(10) **Patent No.:** **US D713,539 S**

(45) **Date of Patent:** **\*\* Sep. 16, 2014**

(54) **SOLARIUM BED**

(71) Applicant: **Attila Soltész-Nagy**, Budapest (HU)

(72) Inventor: **Attila Soltész-Nagy**, Budapest (HU)

(\*\*) Term: **14 Years**

(21) Appl. No.: **29/445,529**

(22) Filed: **Feb. 13, 2013**

(30) **Foreign Application Priority Data**

Aug. 13, 2012 (HU) ..... D1200119

(51) **LOC (10) Cl.** ..... **28-03**

(52) **U.S. Cl.**  
USPC ..... **D24/210**

(58) **Field of Classification Search**

CPC ..... A61N 5/0614; A61N 2005/0636;  
A61N 2005/0655; A61N 5/0616; A61N  
2005/0633; A61N 2005/0652; A61N  
2005/0659; A61M 35/00  
USPC ..... D24/133, 158, 163, 188, 200, 209–210;  
607/88–95

See application file for complete search history.

(56) **References Cited**

**U.S. PATENT DOCUMENTS**

4,590,940	A *	5/1986	Pigmans	607/91
4,600,009	A *	7/1986	Kramer et al.	607/91
4,660,561	A *	4/1987	Nielsen	607/91
4,683,886	A *	8/1987	Kramer et al.	607/91
4,918,319	A *	4/1990	Kruithof	250/504 R
4,993,091	A *	2/1991	Draper et al.	5/487
D346,448	S *	4/1994	Hodlund	D24/209
5,370,673	A *	12/1994	Angelo	607/90
5,374,825	A *	12/1994	Doty et al.	250/372
5,383,916	A *	1/1995	Brown	607/91
5,683,437	A *	11/1997	Doty	607/91

(Continued)

*Primary Examiner* — Eric Goodman

*Assistant Examiner* — John Reickel

(74) *Attorney, Agent, or Firm* — Miltons IP/p.i.

(57) **CLAIM**

The ornamental design for a solarium bed, as shown and described.

**DESCRIPTION**

FIG. 1 is a top left perspective view of the design as applied to a solarium bed in an open position.

FIG. 2 is a top right perspective view of the design of FIG. 1 in an open position.

FIG. 3 is a front perspective view of the design of FIG. 1 in an open position.

FIG. 4 is a front view of the design of FIG. 1 in an open position.

FIG. 5 is a top view of the design of FIG. 1 in an open position.

FIG. 6 is a bottom front left perspective view of the design of FIG. 1 in an open position.

FIG. 7 is a bottom back left perspective view of the design of FIG. 1 in an open position.

FIG. 8 is a bottom front right perspective view of the design of FIG. 1 in an open position.

FIG. 9 is a bottom back right view of the design of FIG. 1 in an open position.

FIG. 10 is a cross-section right view of the design of FIG. 12, taken along the line 10-10 as shown in FIG. 12.

FIG. 11 is a cross-section left view of the design of FIG. 12, taken along the line 11-11 as shown in FIG. 12.

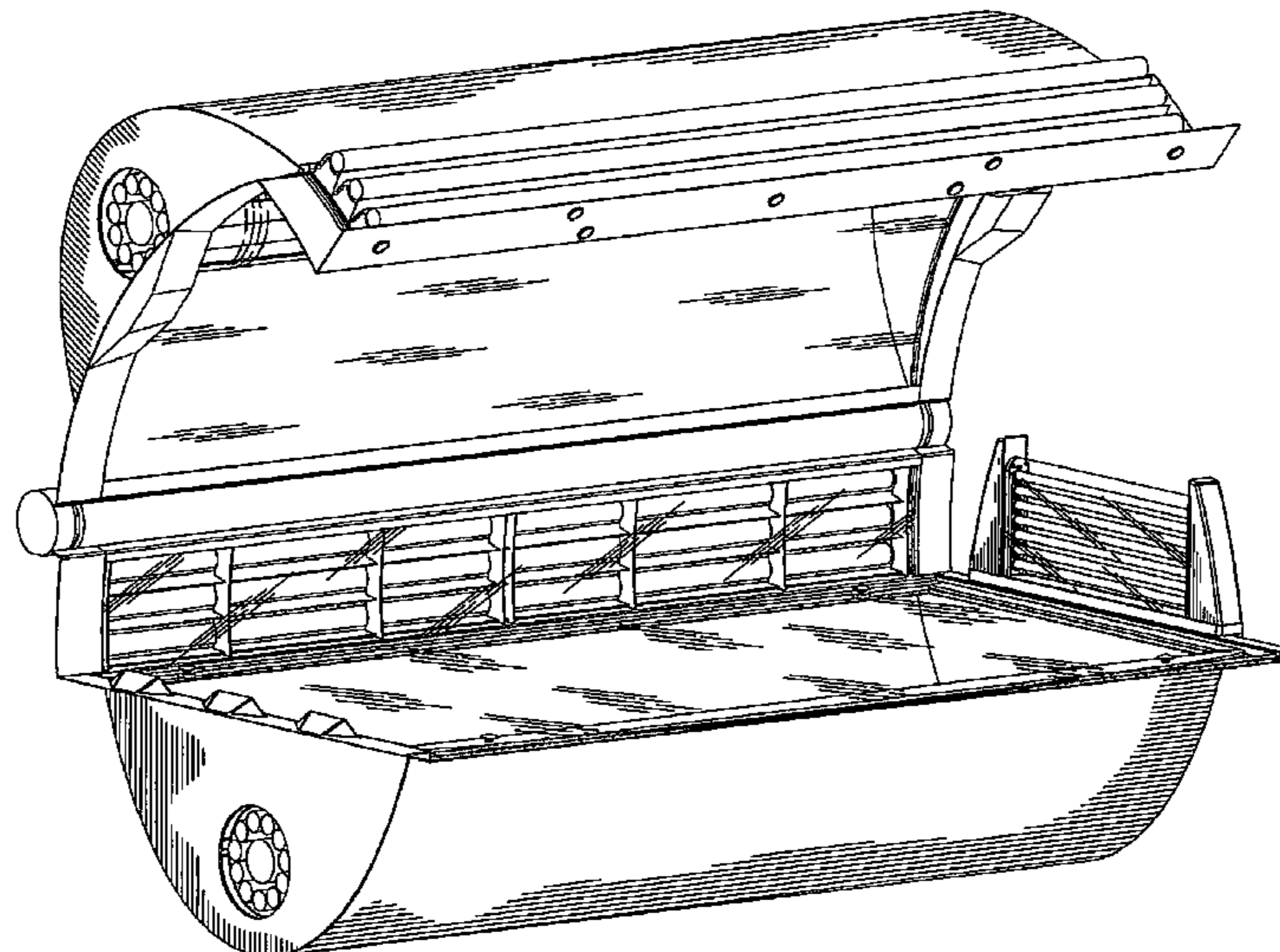
FIG. 12 is a view of the design of FIG. 1 offset at an angle and in a closed position.

FIG. 13 is a back left perspective view of the design of FIG. 1 in a closed position.

FIG. 14 is a back right perspective view of the design of FIG. 1 in a closed position; and,

FIG. 15 is a front right perspective view of the design of FIG. 1 in a closed position.

**1 Claim, 15 Drawing Sheets**



(56)

**References Cited**

U.S. PATENT DOCUMENTS

5,725,565	A *	3/1998	Smith	.....	607/88
6,461,376	B1 *	10/2002	Beshore	.....	607/91
D496,467	S *	9/2004	Elkerbout	.....	D24/210
6,802,854	B1 *	10/2004	McFarland	.....	607/91
D512,153	S *	11/2005	Elkerbout	.....	D24/210
D567,948	S *	4/2008	Tierney et al.	.....	D24/163
7,481,833	B2 *	1/2009	Dussault	.....	607/91
D651,714	S *	1/2012	Dougherty	.....	D24/164
8,157,849	B1 *	4/2012	Gilbride	.....	607/91
2004/0088028	A1 *	5/2004	Cameron et al.	.....	607/94
2004/0167591	A1 *	8/2004	Brown, Jr.	.....	607/95
2007/0123959	A1 *	5/2007	Burato et al.	.....	607/94
2009/0005839	A1 *	1/2009	Griffith et al.	.....	607/91
2011/0172746	A1 *	7/2011	Porter	.....	607/89
2012/0150265	A1 *	6/2012	Vargas et al.	.....	607/91

\* cited by examiner

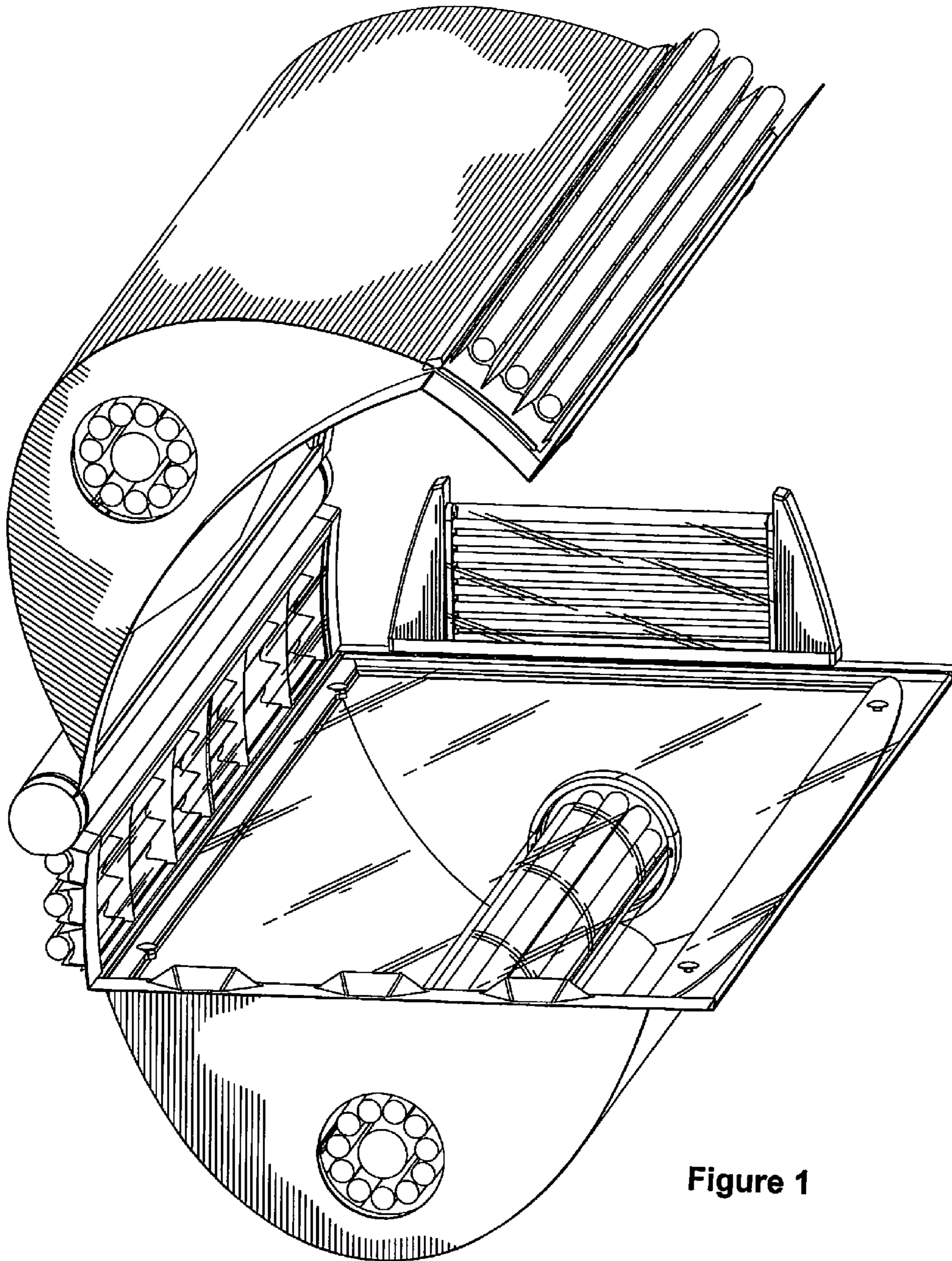


Figure 1

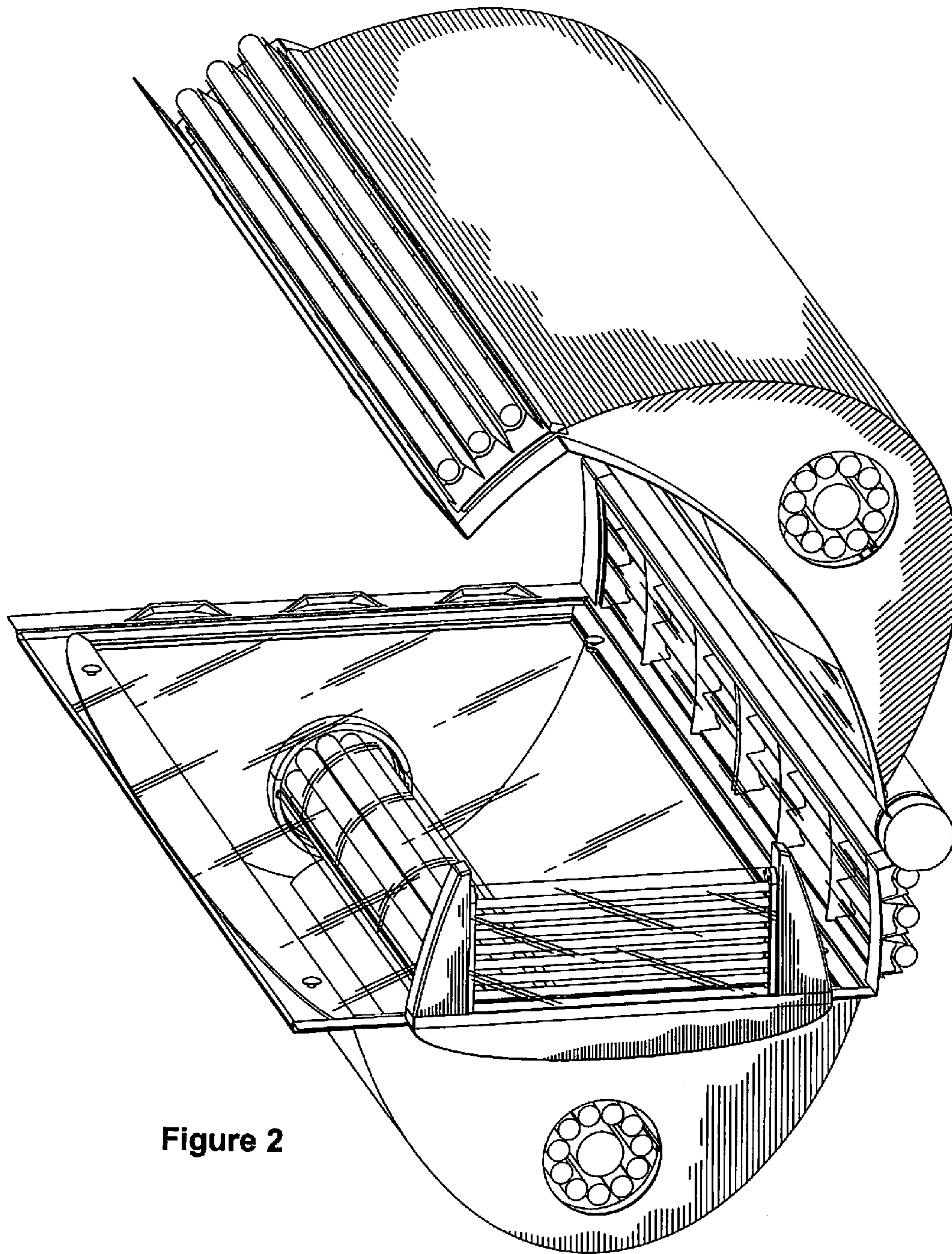


Figure 2

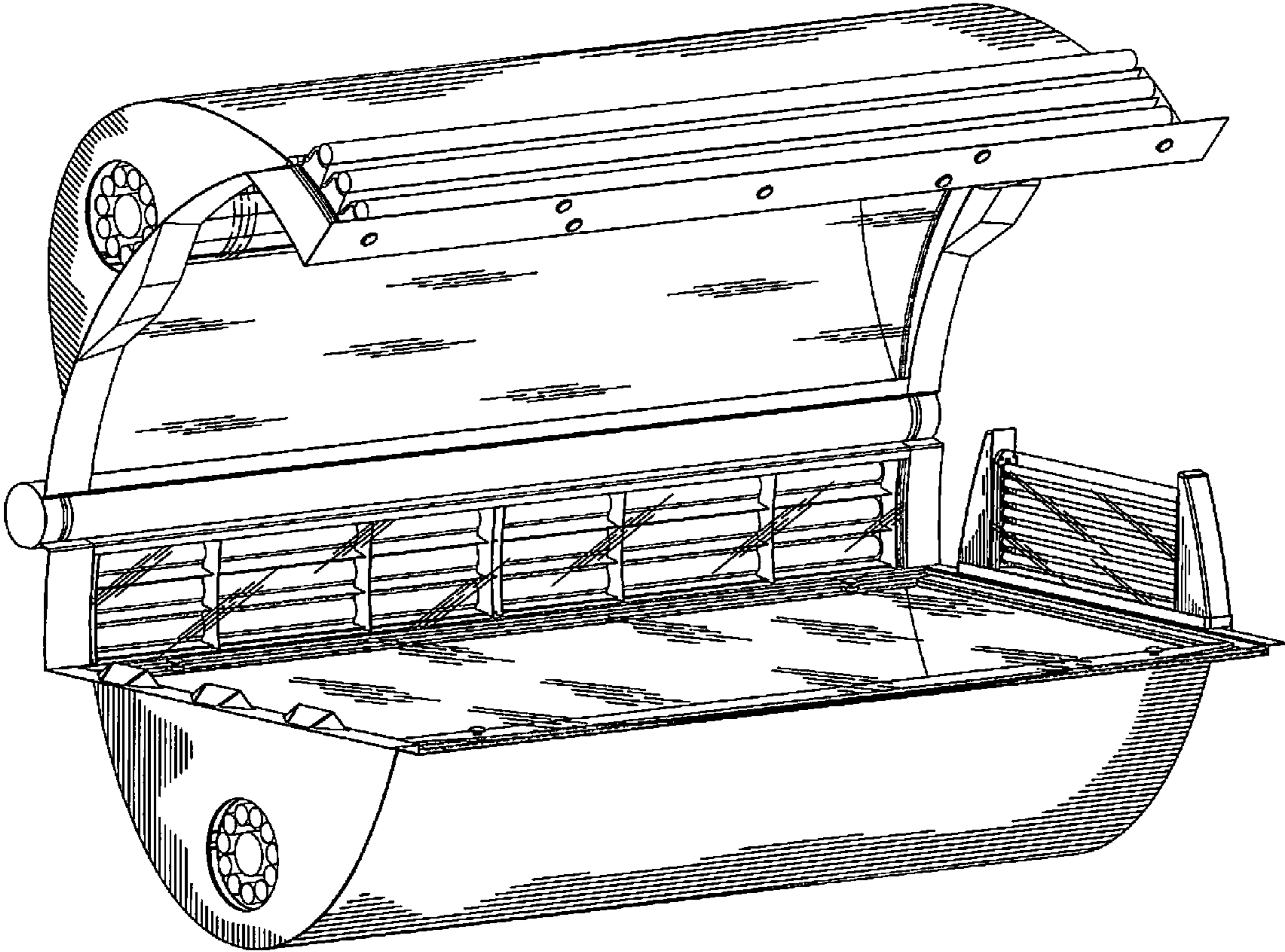


Figure 3

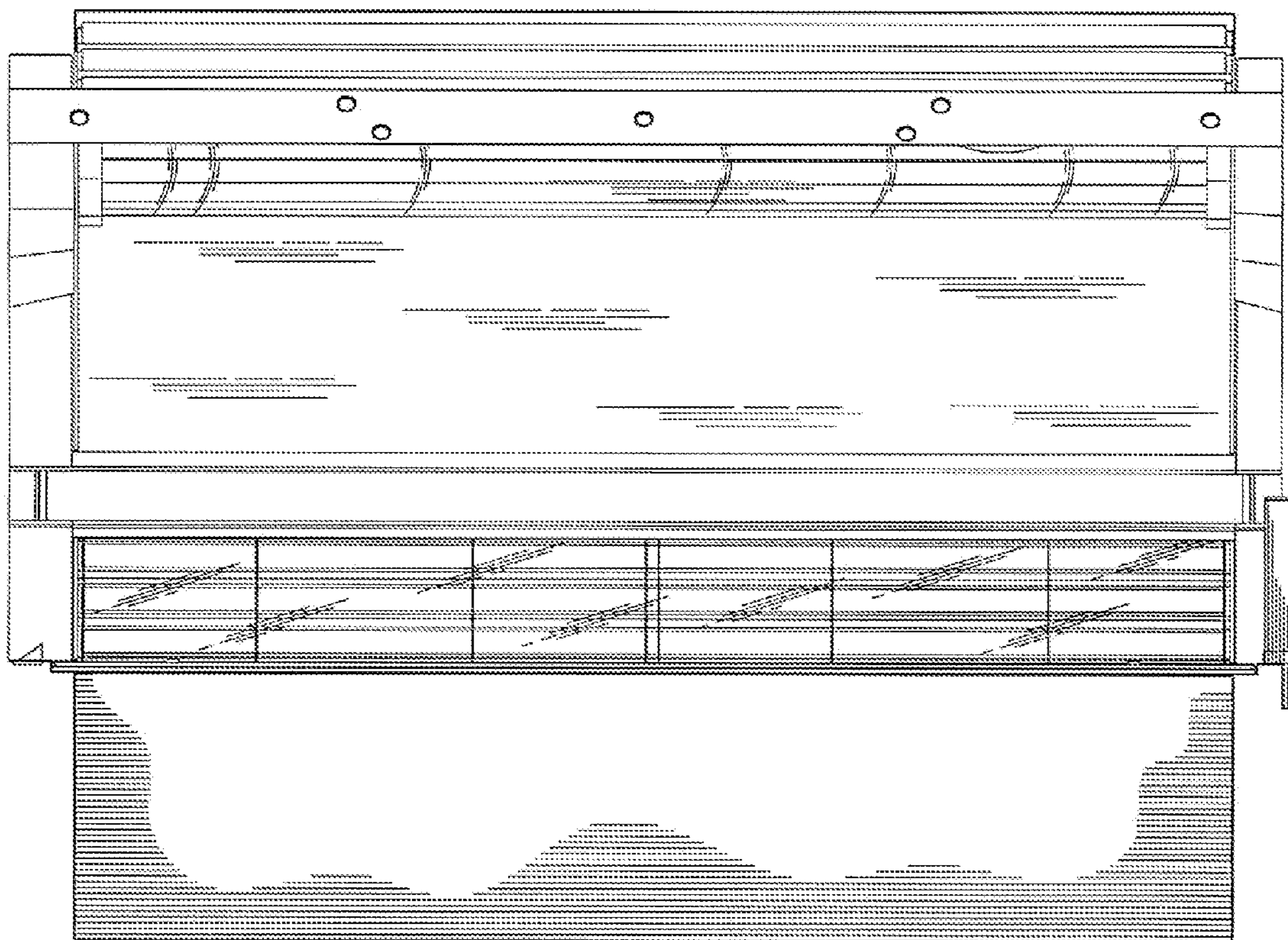


Figure 4

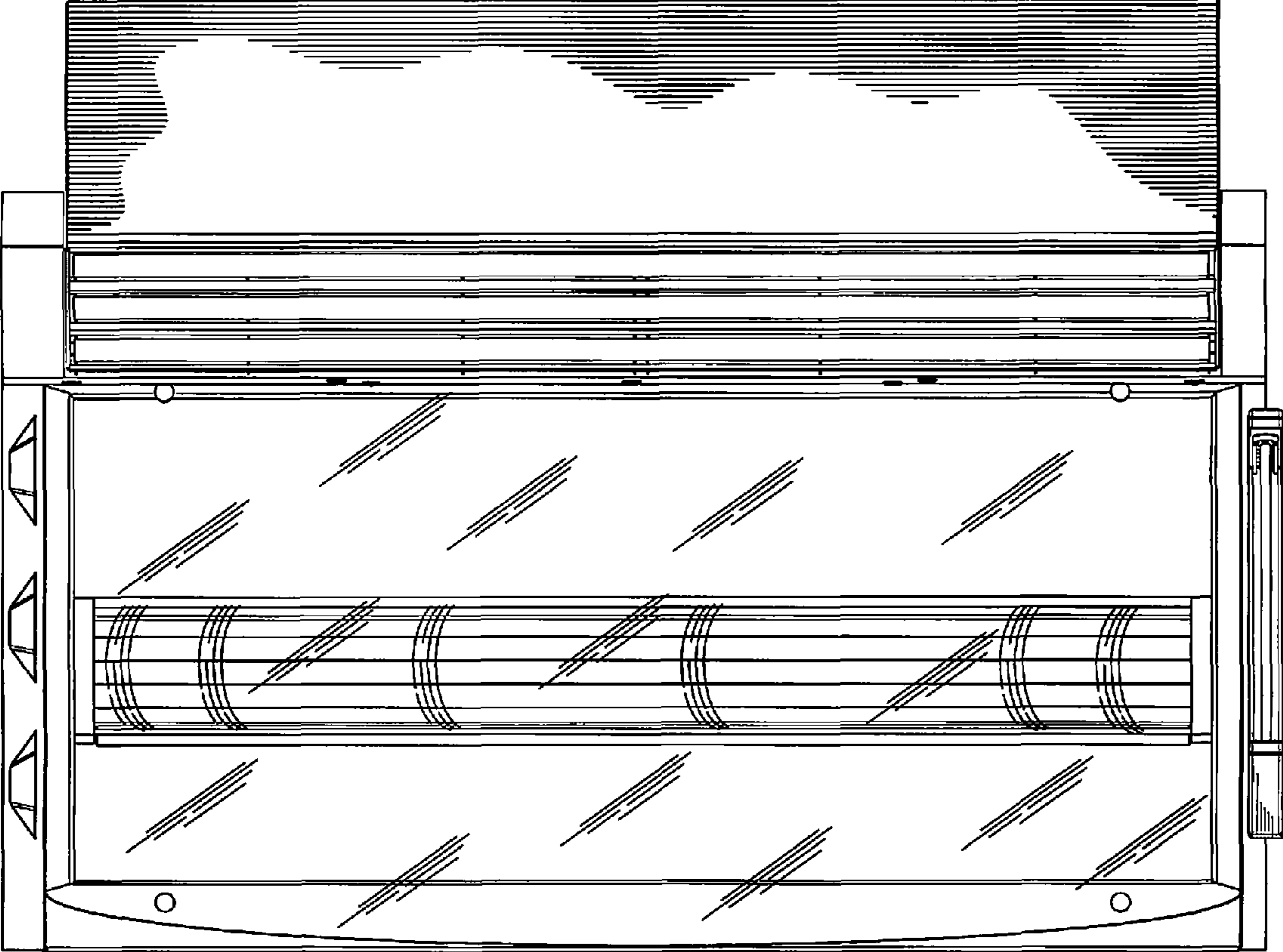


Figure 5

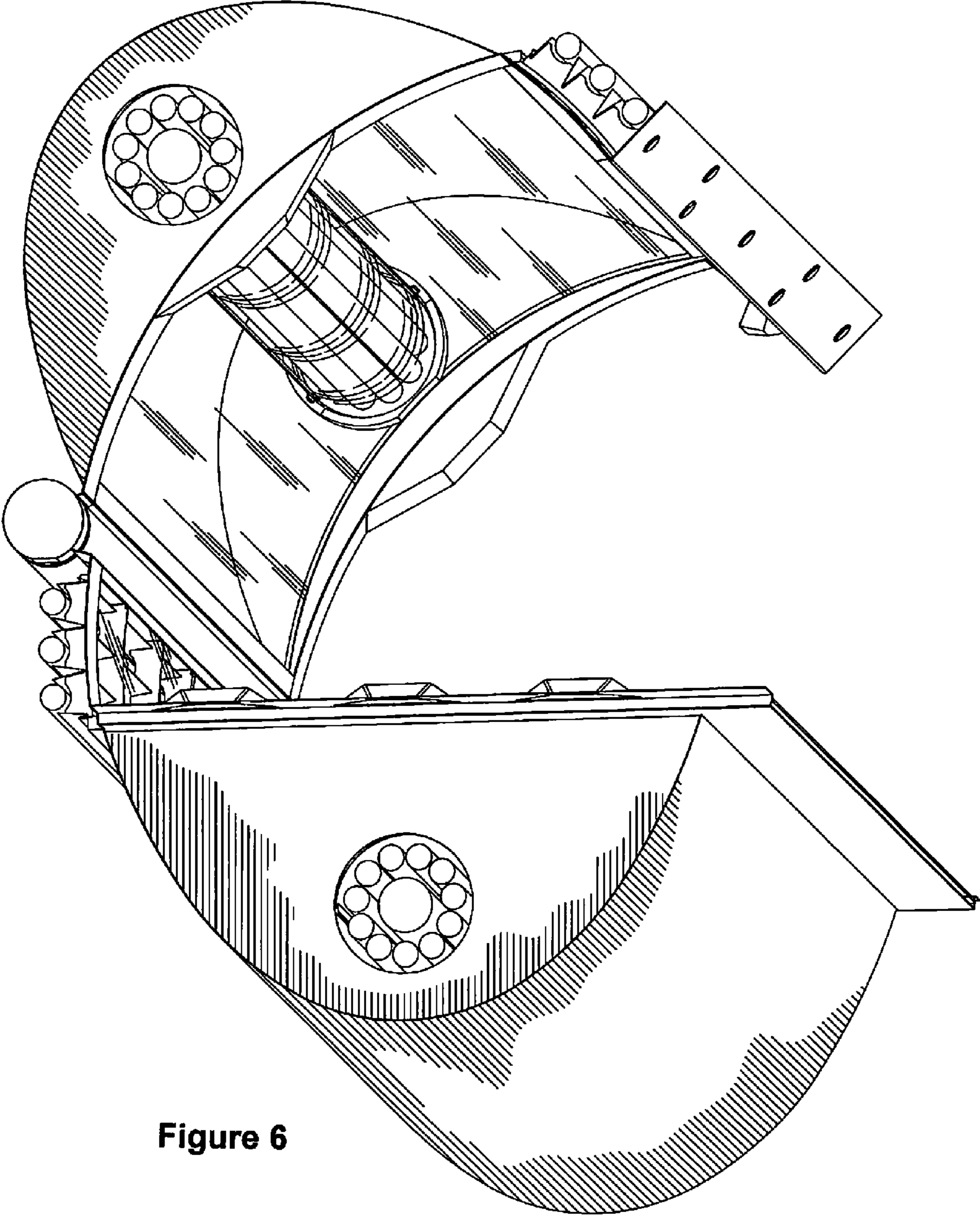


Figure 6



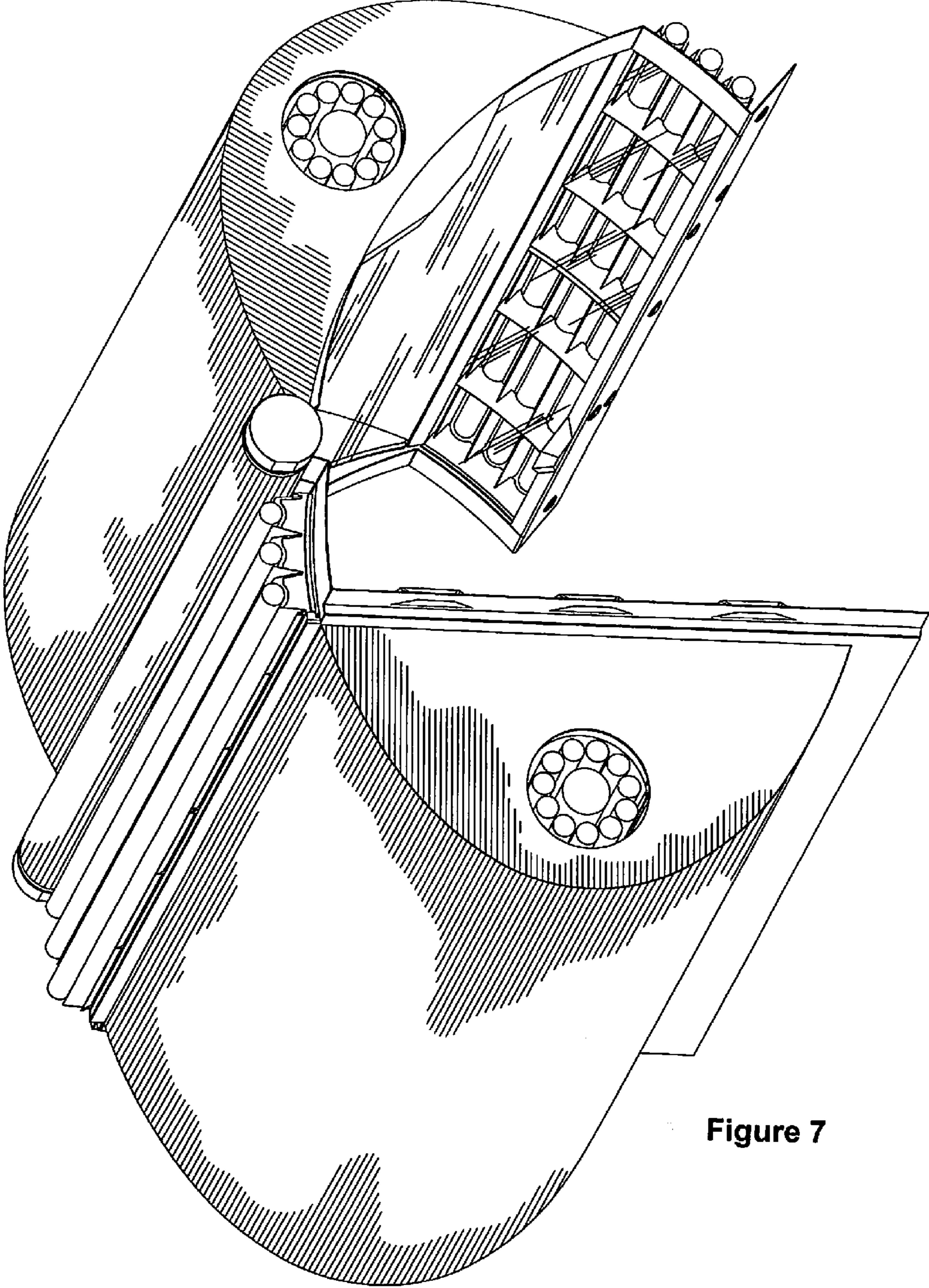


Figure 7

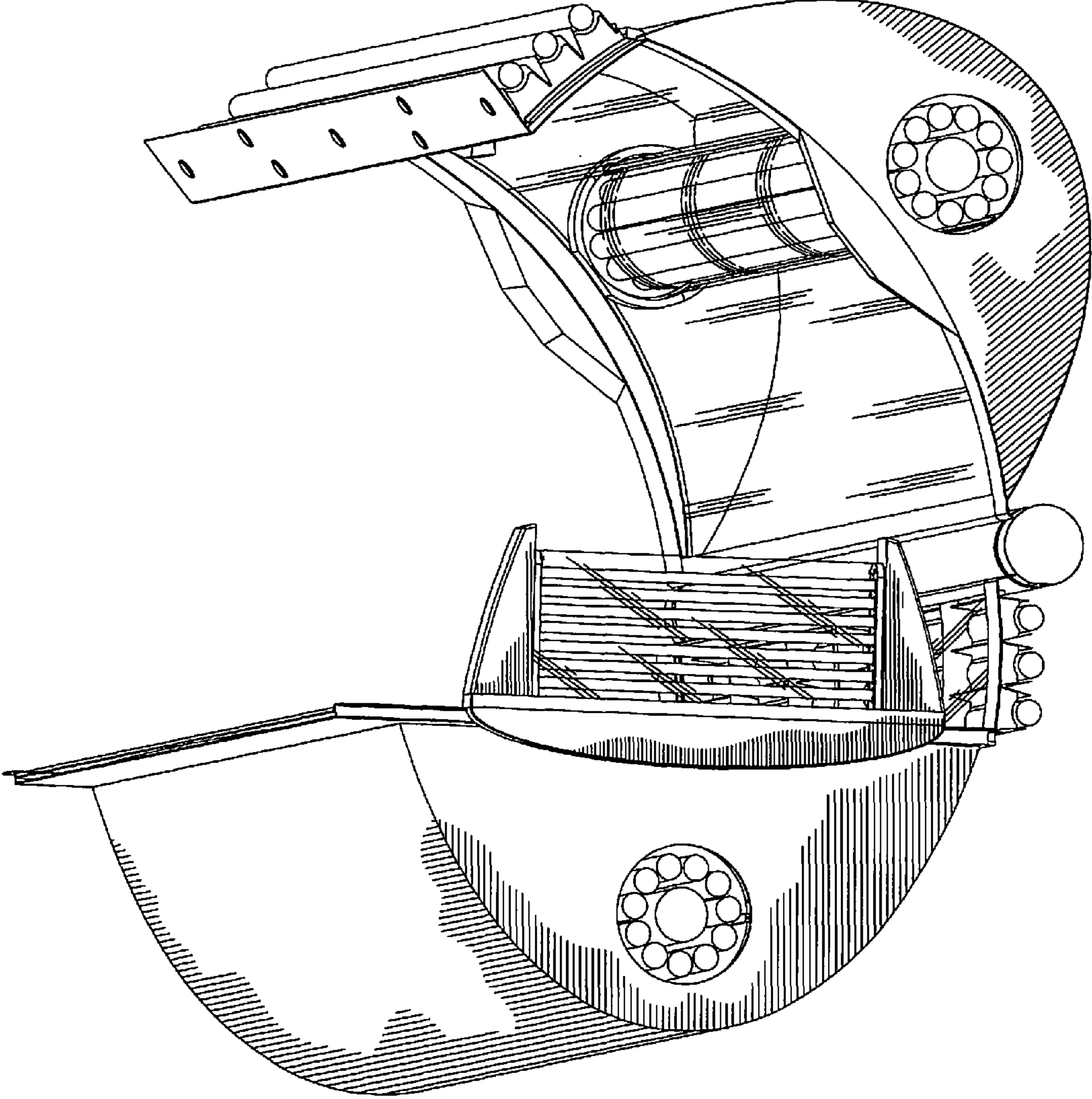


Figure 8

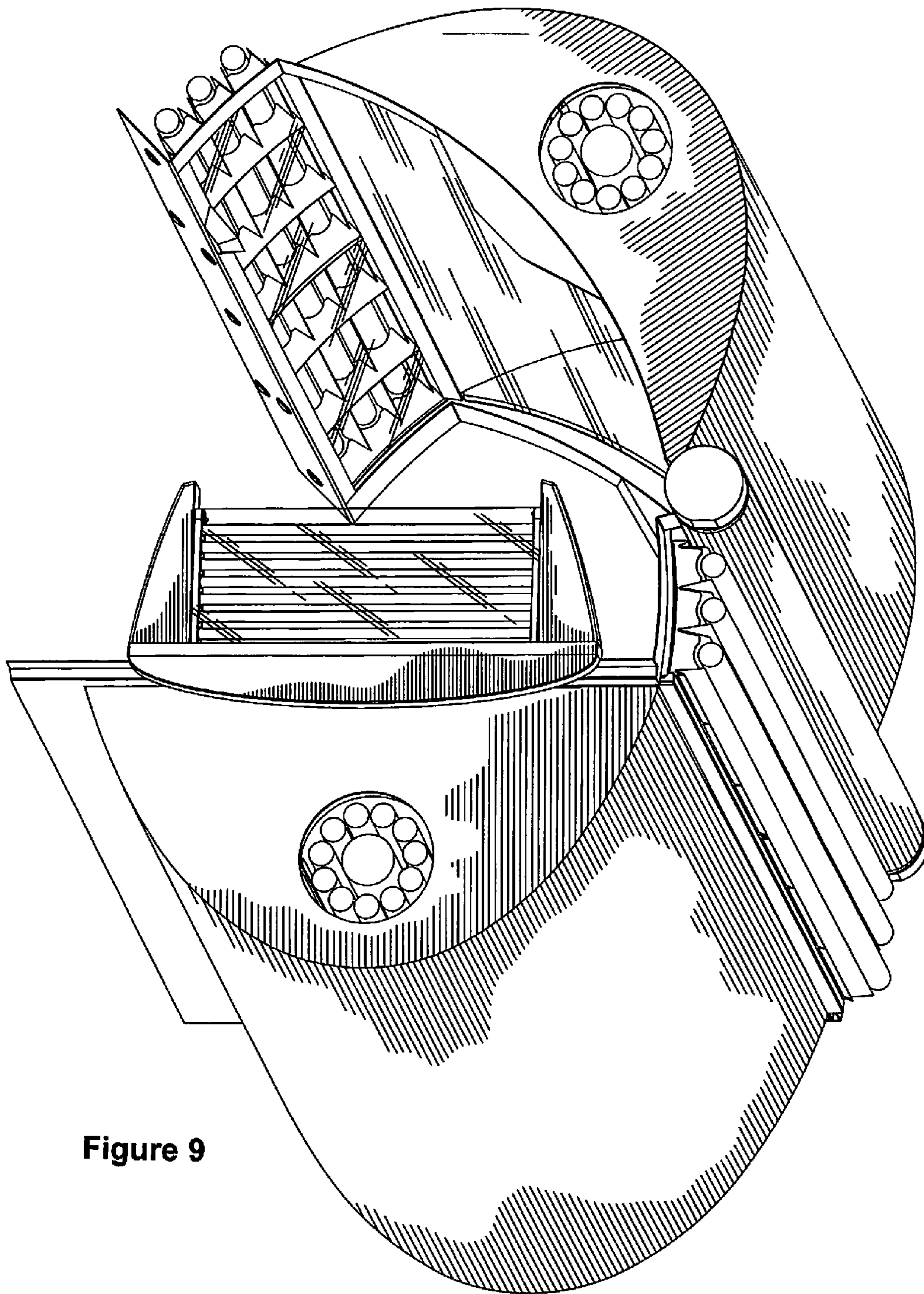


Figure 9

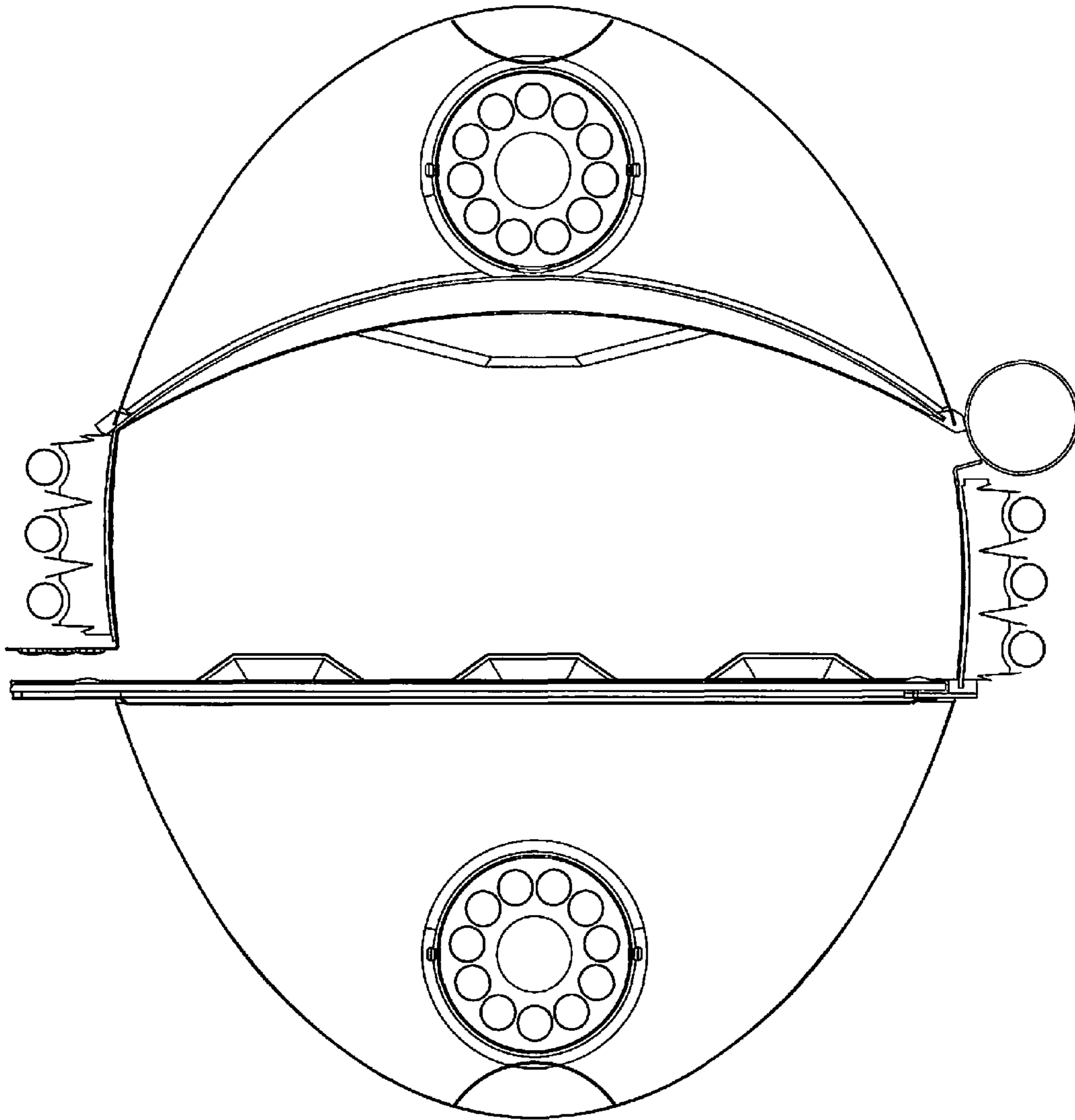


Figure 10

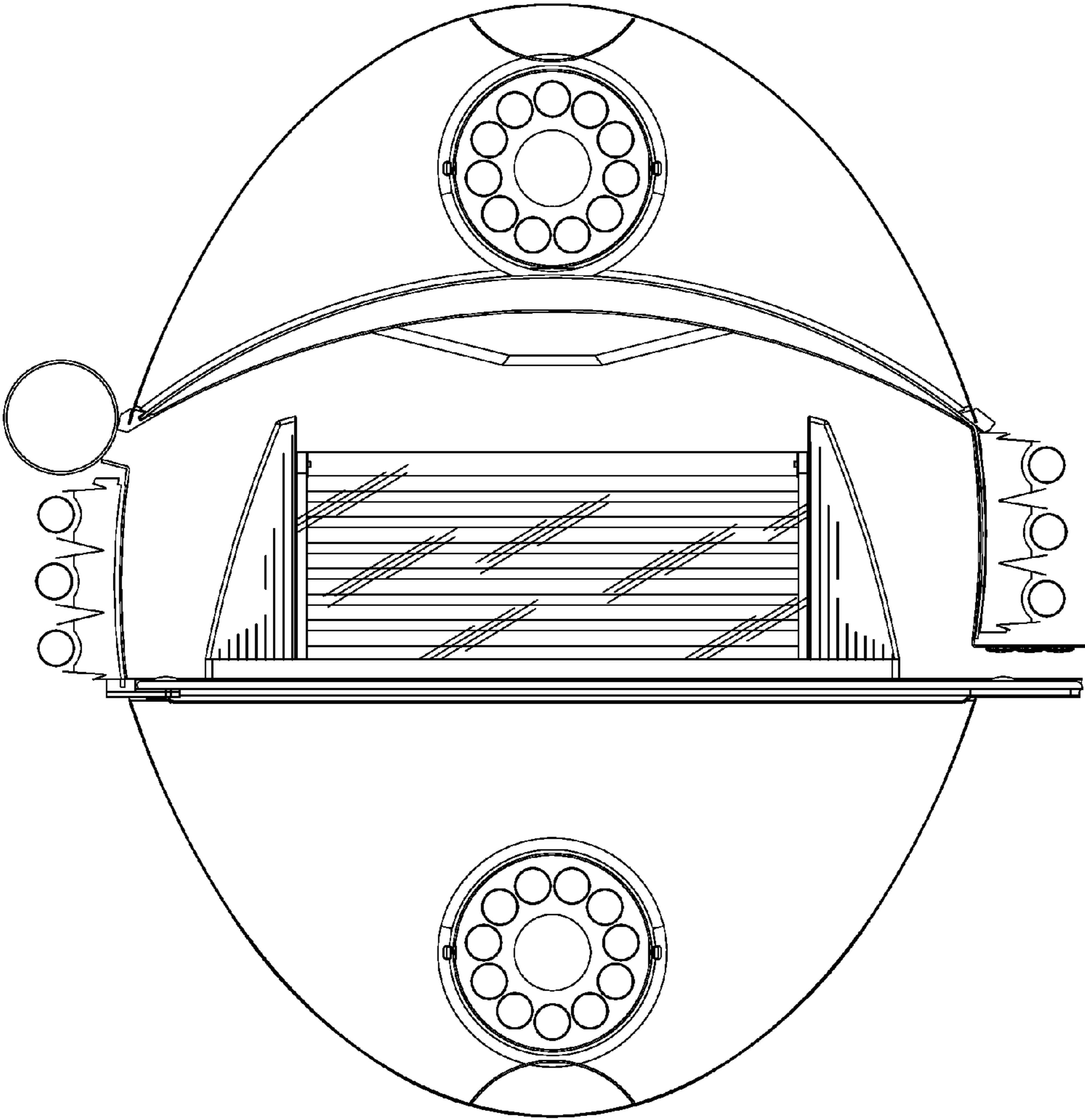


Figure 11

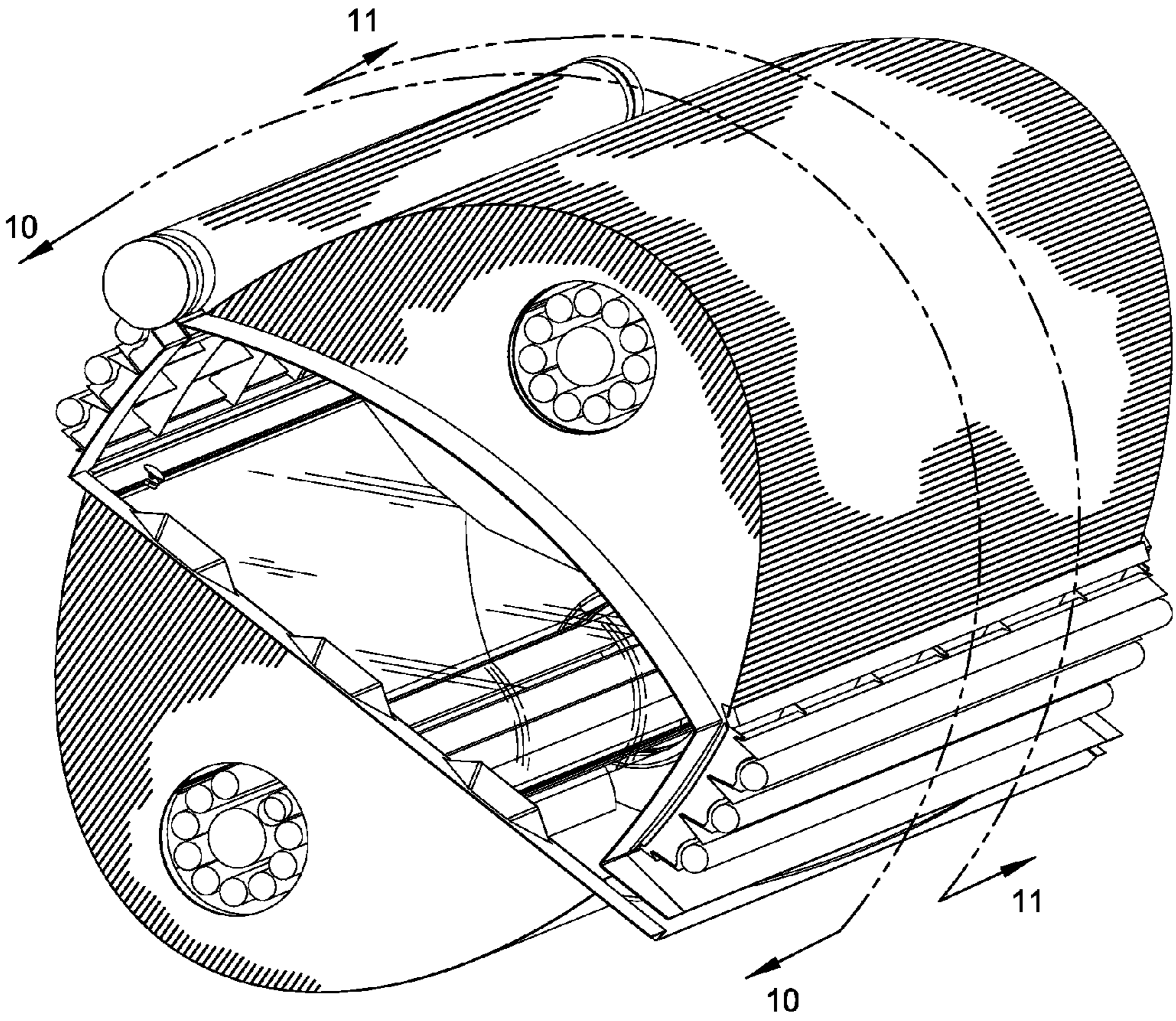


Figure 12

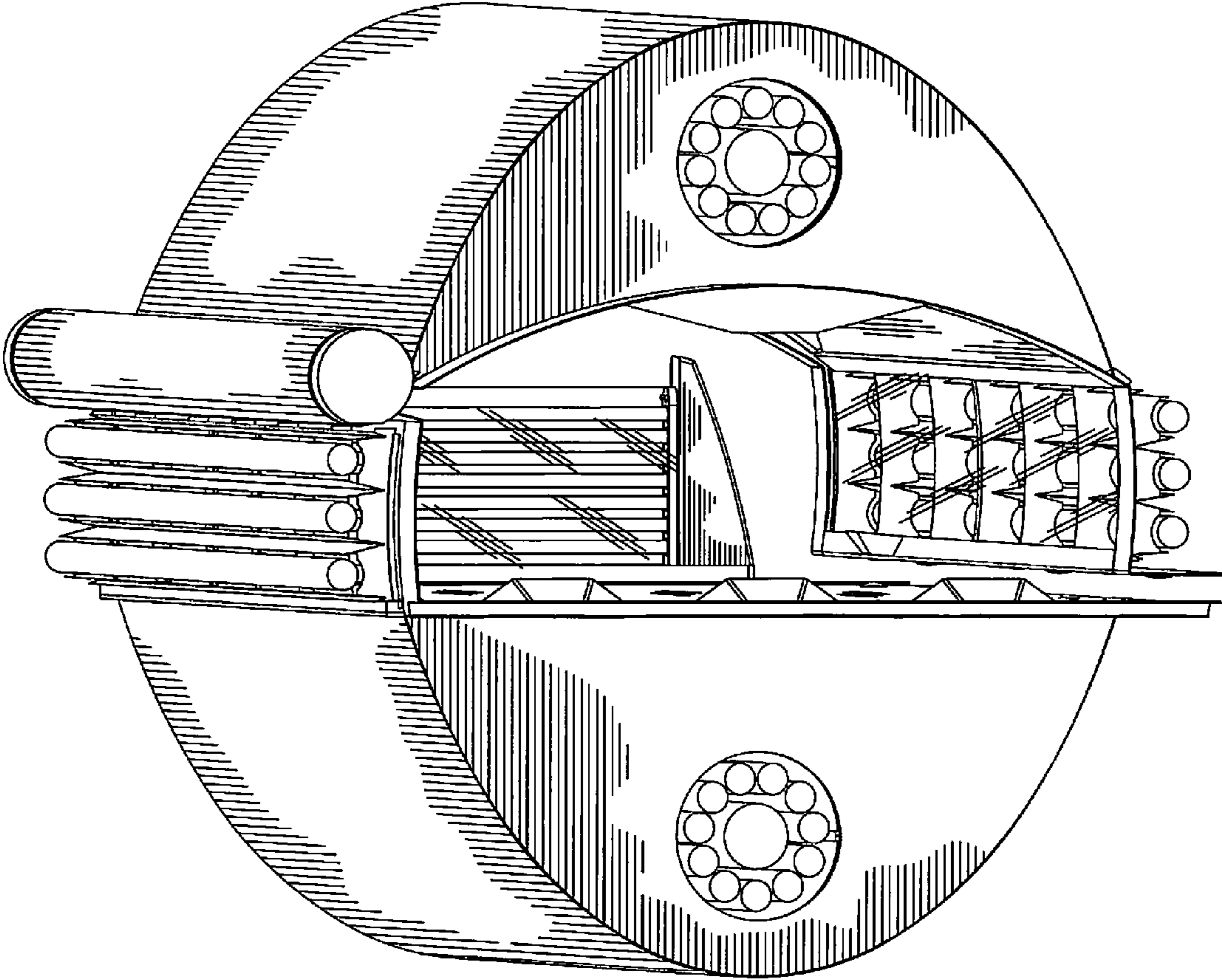


Figure 13

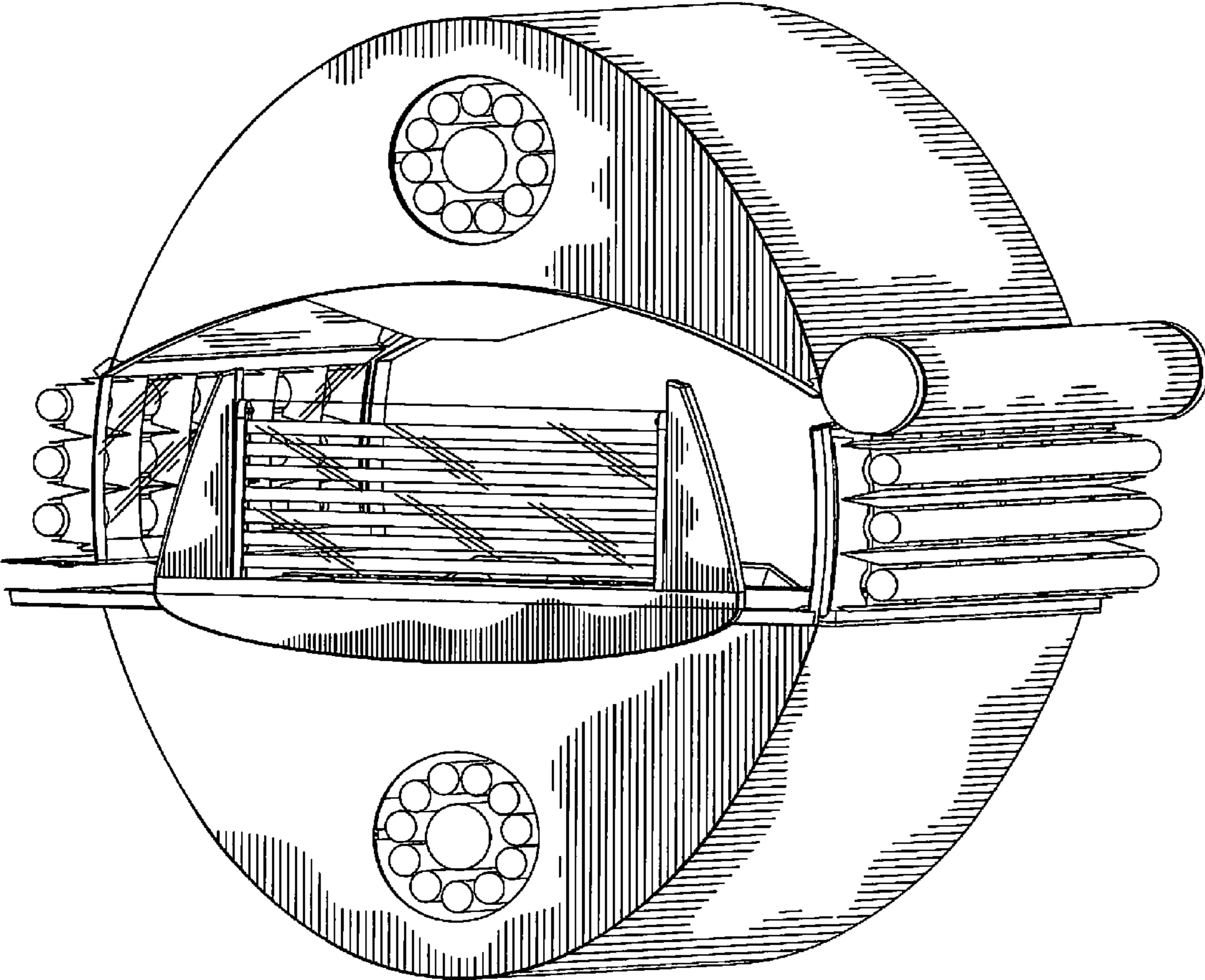


Figure 14



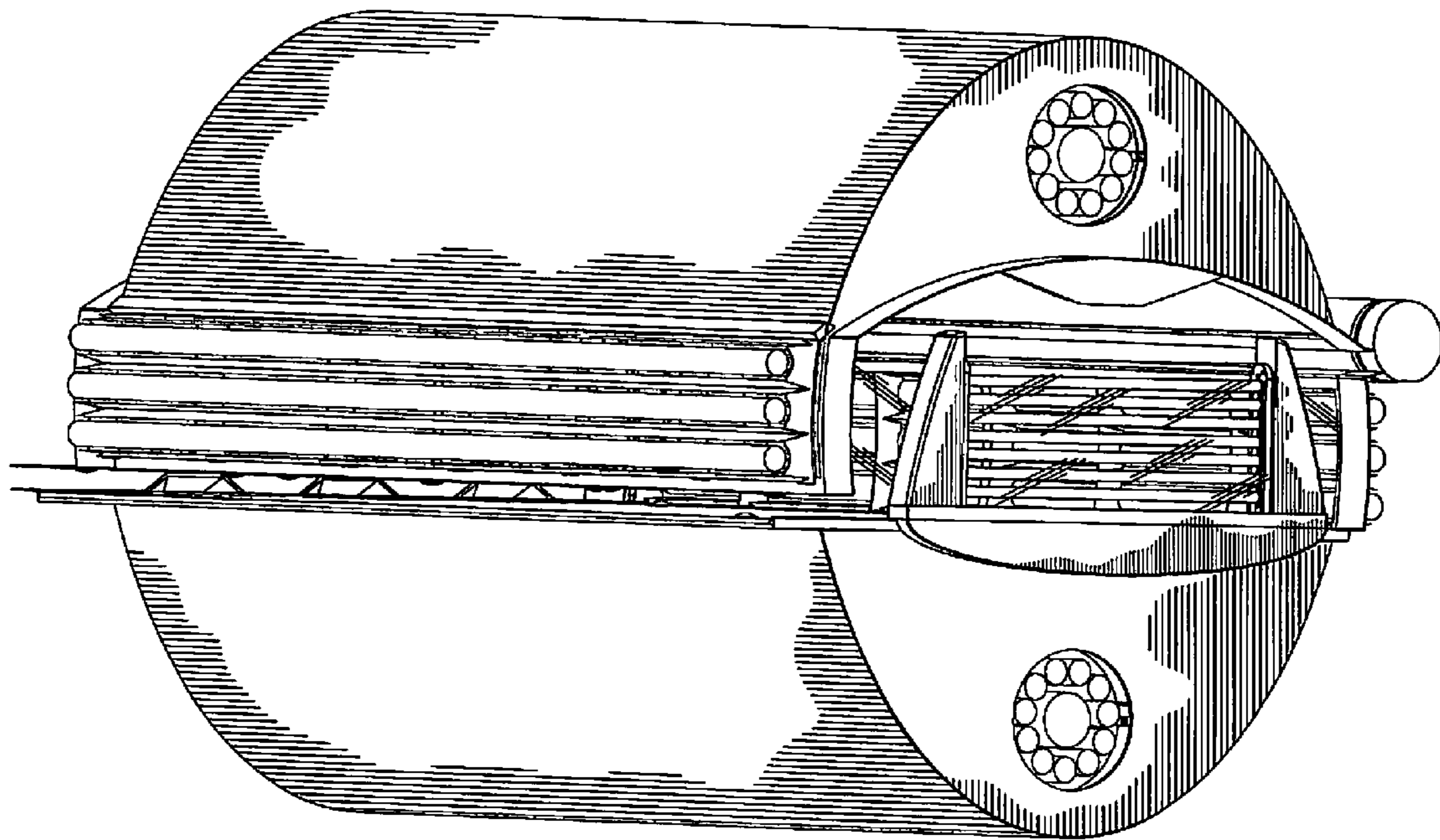


Figure 15