



US00D713537S

(12) **United States Design Patent**
Ben-Haim et al.

(10) **Patent No.:** **US D713,537 S**
(45) **Date of Patent:** **** Sep. 16, 2014**

(54) **DISPOSABLE TISSUE INTERFACE FOR USE
IN APPLYING ENERGY TO BODY TISSUE**

(75) Inventors: **Yoav Ben-Haim**, San Francisco, CA
(US); **Peter J. Bentley**, San Jose, CA
(US); **Daniel Francis**, Mountain View,
CA (US); **Christopher Loew**, Palo Alto,
CA (US); **Kevin Shan**, Stanford, CA
(US); **Ted Su**, Sunnyvale, CA (US)

(73) Assignee: **Miramar Labs, Inc.**, Santa Clara, CA
(US)

(**) Term: **14 Years**

(21) Appl. No.: **29/398,489**

(22) Filed: **Aug. 1, 2011**

(51) **LOC (10) Cl.** **28-03**

(52) **U.S. Cl.**
USPC **D24/200**

(58) **Field of Classification Search**
USPC D24/200, 206, 209, 210, 185-187, 214,
D24/215; 601/15, 16, 21, 46, 48, 64, 80,
601/68-70, 134-137; 607/96, 98, 99, 1;
D28/9; D7/537, 598, 603, 354;
D3/304; 606/41

See application file for complete search history.

(56) **References Cited**

U.S. PATENT DOCUMENTS

D133,969 S	9/1942	Warren
D263,872 S	4/1982	Rakocy et al.
D263,998 S	4/1982	Oberheim
D289,844 S	5/1987	Daenen et al.
D311,869 S	11/1990	Carlson
D321,056 S	10/1991	Chambers
D322,676 S	12/1991	Chambers
D351,236 S	10/1994	Held
D366,703 S	1/1996	Huen
D368,343 S	3/1996	Gebhard et al.

D414,582 S	9/1999	Hwang	
D415,933 S	11/1999	Cornelissen	
D441,456 S	5/2001	Thiberg	
D450,926 S	11/2001	Dickinson et al.	
D484,745 S *	1/2004	Watson	D7/545
D525,820 S	8/2006	Öztiryaki	
D533,015 S	12/2006	Brookshire et al.	
D533,943 S	12/2006	Chen	
D540,112 S	4/2007	Nichols et al.	
D544,292 S *	6/2007	Lion et al.	D7/354
D569,169 S	5/2008	Munson	
D582,048 S	12/2008	Chiu	

(Continued)

Primary Examiner — David Muller

(74) *Attorney, Agent, or Firm* — Shay Glenn LLP

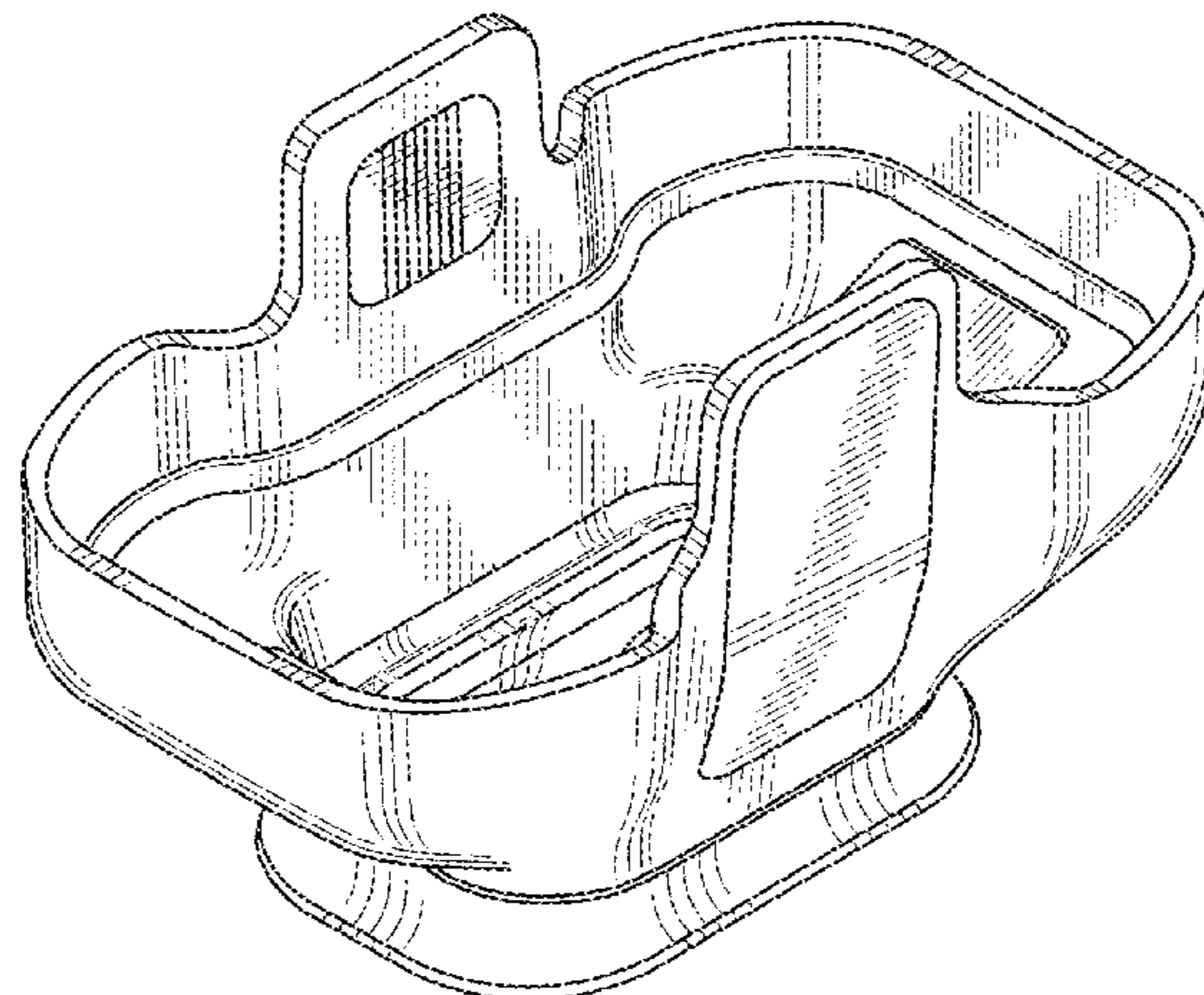
(57) **CLAIM**

We claim the ornamental design for a disposable tissue inter-
face for use in applying energy to body tissue, as shown and
described.

DESCRIPTION

FIG. 1 is an upper perspective view of a disposable tissue
interface according to an embodiment of the invention.
FIG. 2 is a bottom plan view thereof;
FIG. 3 is a top plan view thereof;
FIG. 4 is an end view thereof;
FIG. 5 is an end view thereof opposite the end view of FIG. 4;
FIG. 6 is a side view thereof;
FIG. 7 is a side view thereof opposite the side view of FIG. 6;
FIG. 8 is another perspective view thereof, indicating the
location of the section views shown in FIGS. 9 and 10;
FIG. 9 is a cross section view thereof, as viewed along line 9-9
of FIG. 8; and,
FIG. 10 is a cross section view thereof, as viewed along line
10-10 of FIG. 8.
The broken line showing of parts of the drawings is included
for the purpose of illustrating use and environment and forms
no part of the claimed design.

1 Claim, 6 Drawing Sheets



(56)

References Cited

U.S. PATENT DOCUMENTS

D602,740 S	10/2009	Urquiola	
D604,855 S	11/2009	Shearlaw et al.	
D635,820 S *	4/2011	Molayem	D7/357
D636,054 S	4/2011	Loew et al.	
D636,087 S	4/2011	Loew et al.	
D636,088 S	4/2011	Loew et al.	
D637,449 S *	5/2011	Cornu et al.	D7/354
D642,423 S *	8/2011	Seymour	D7/354
D646,114 S *	10/2011	Wong	D7/357
D649,829 S *	12/2011	De Winter	D7/354
D657,993 S *	4/2012	Pantaleo	D7/357
D658,428 S *	5/2012	Seymour	D7/354
D667,679 S *	9/2012	Carlson	D7/354
D672,190 S *	12/2012	Upston	D7/354
D672,604 S *	12/2012	Upston et al.	D7/354
2004/0079747 A1 *	4/2004	Wang	219/438

* cited by examiner

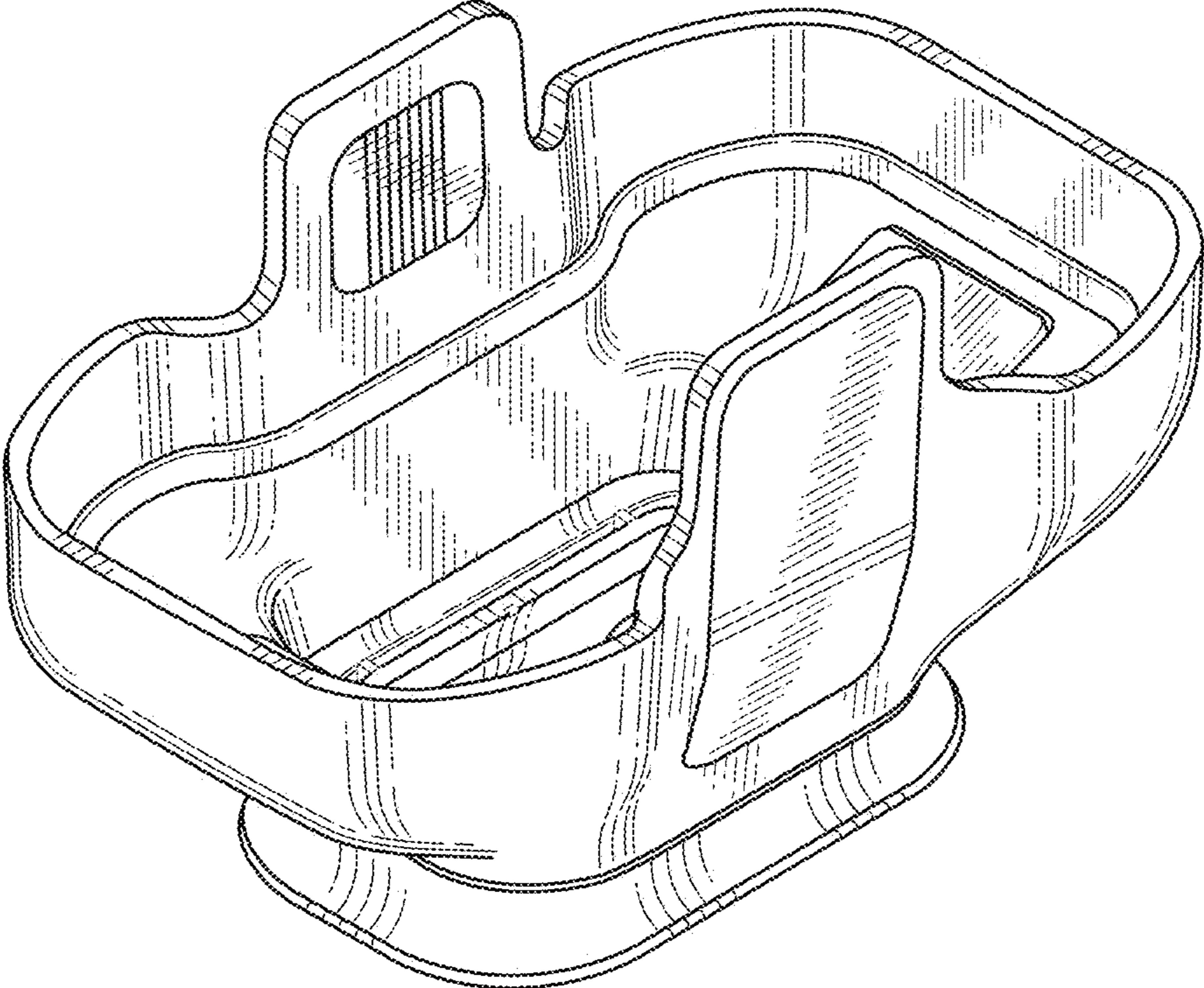


FIG. 1

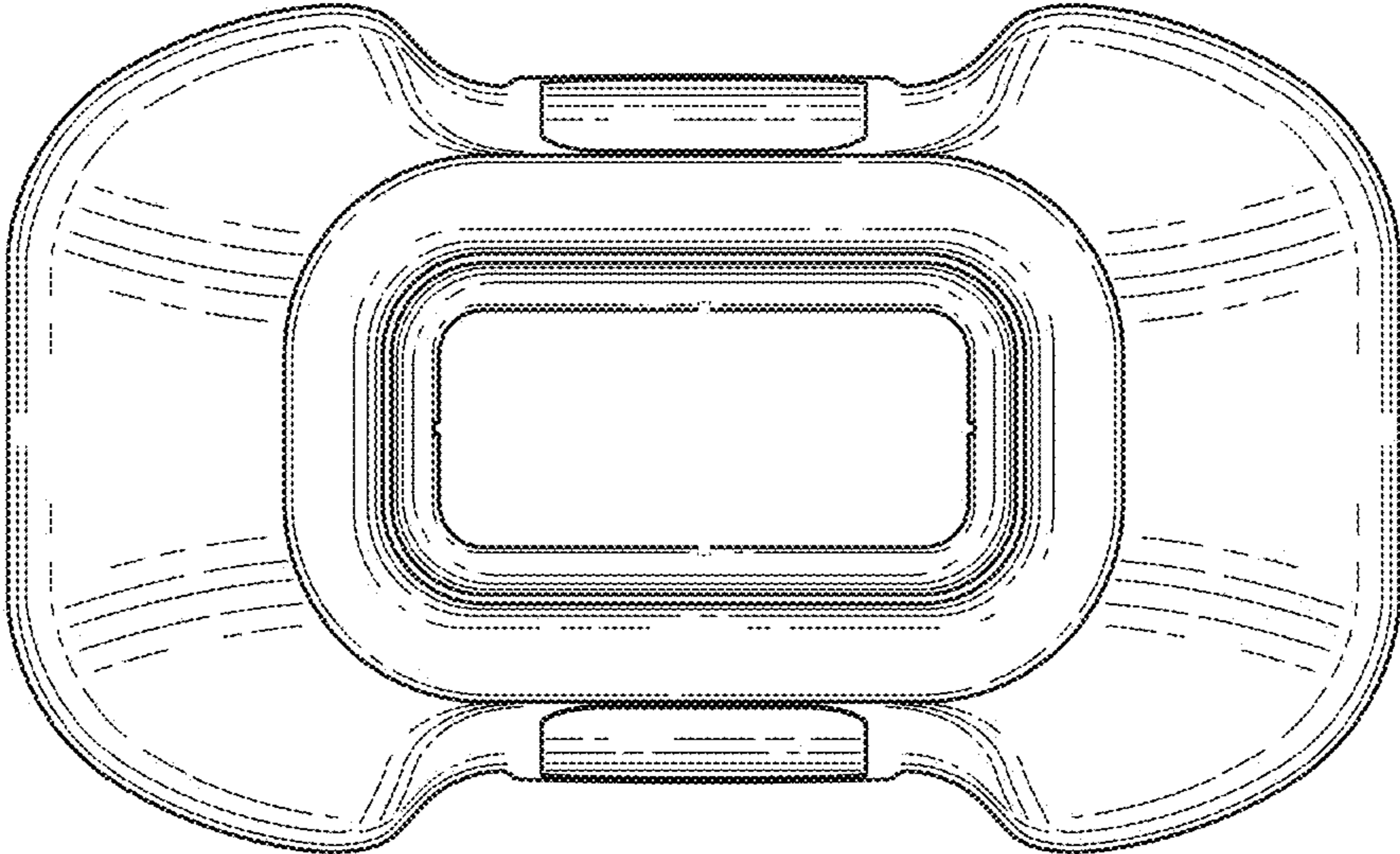


FIG. 2

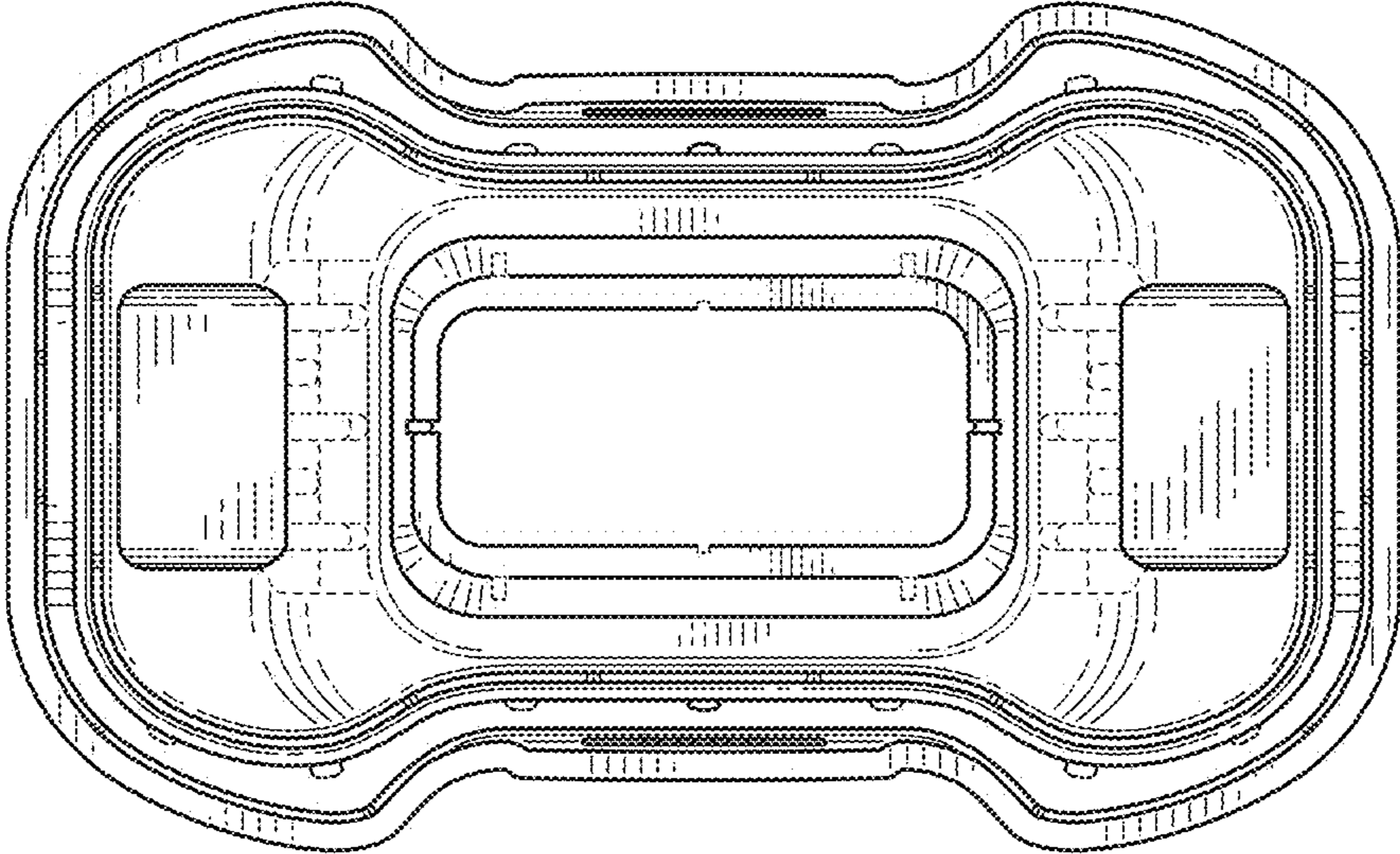


FIG. 3

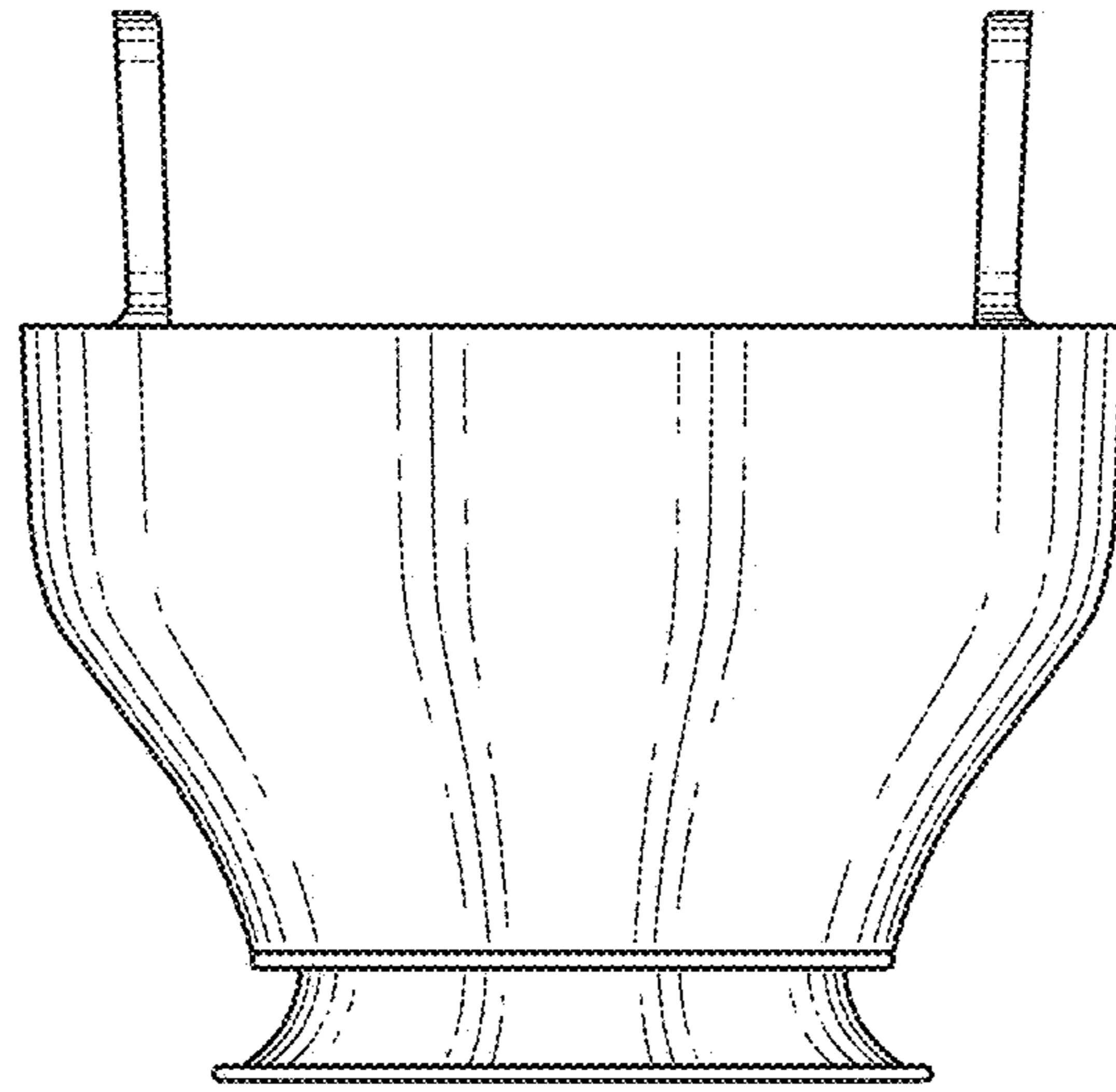


FIG. 4

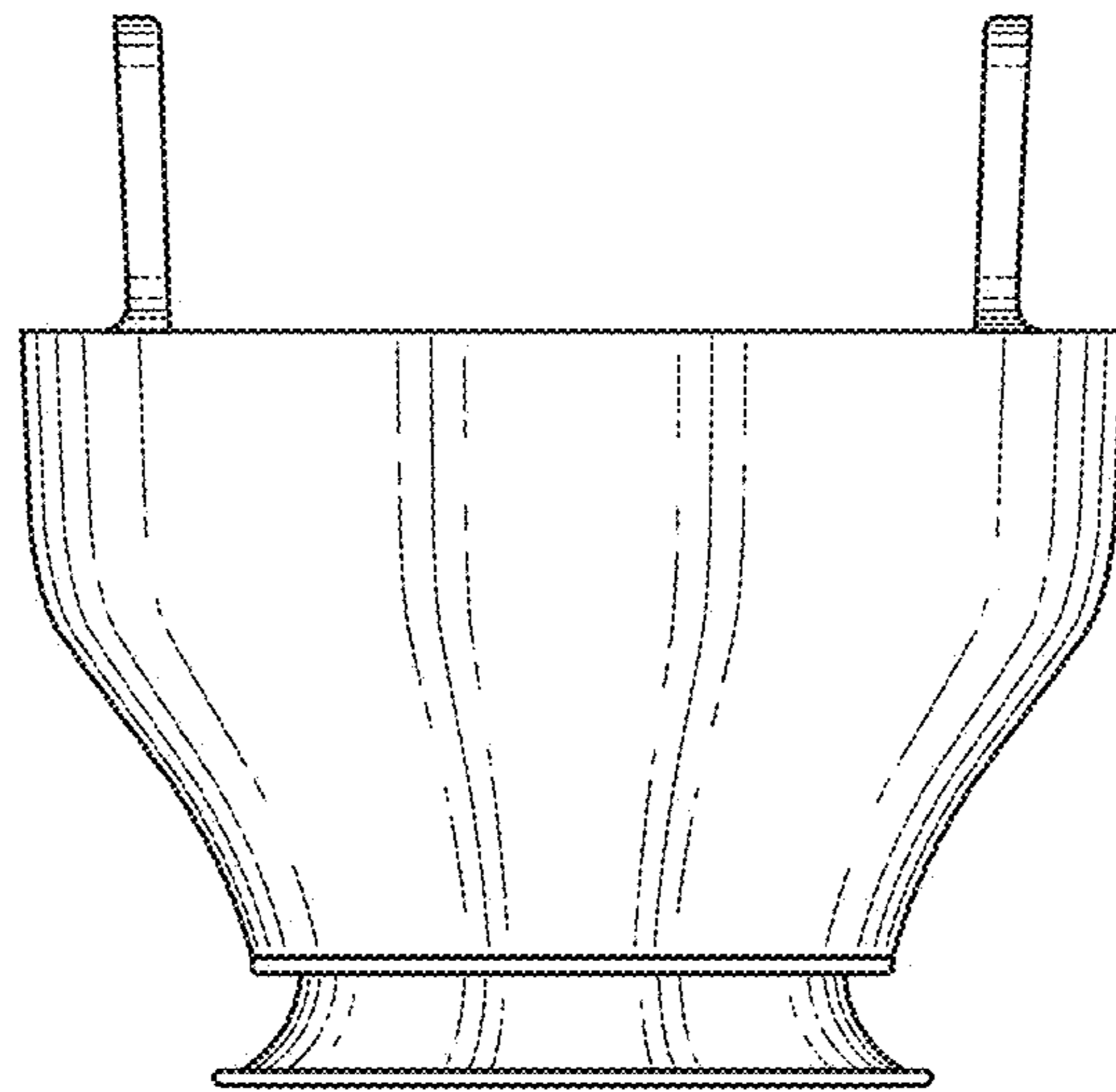


FIG. 5

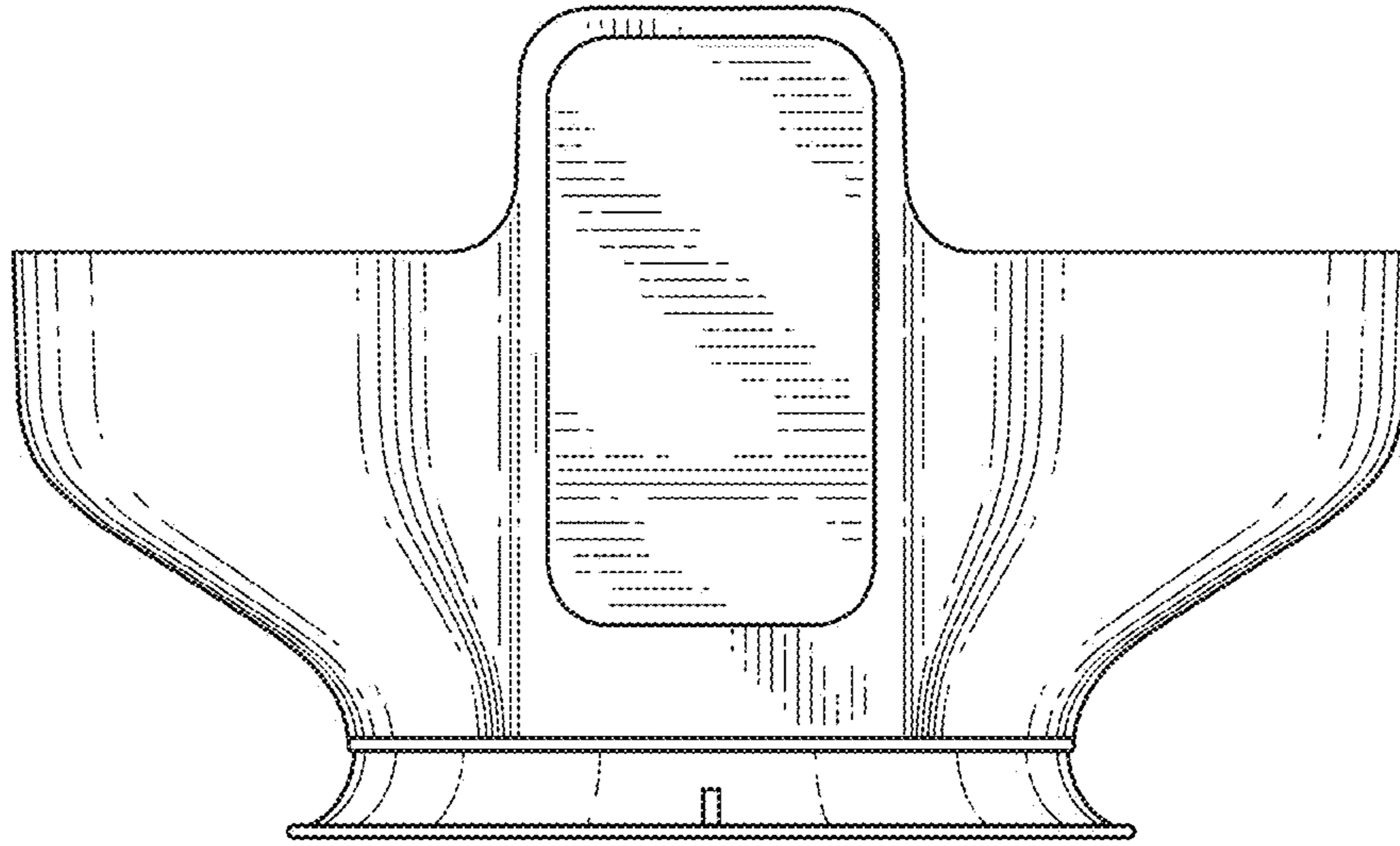


FIG. 6

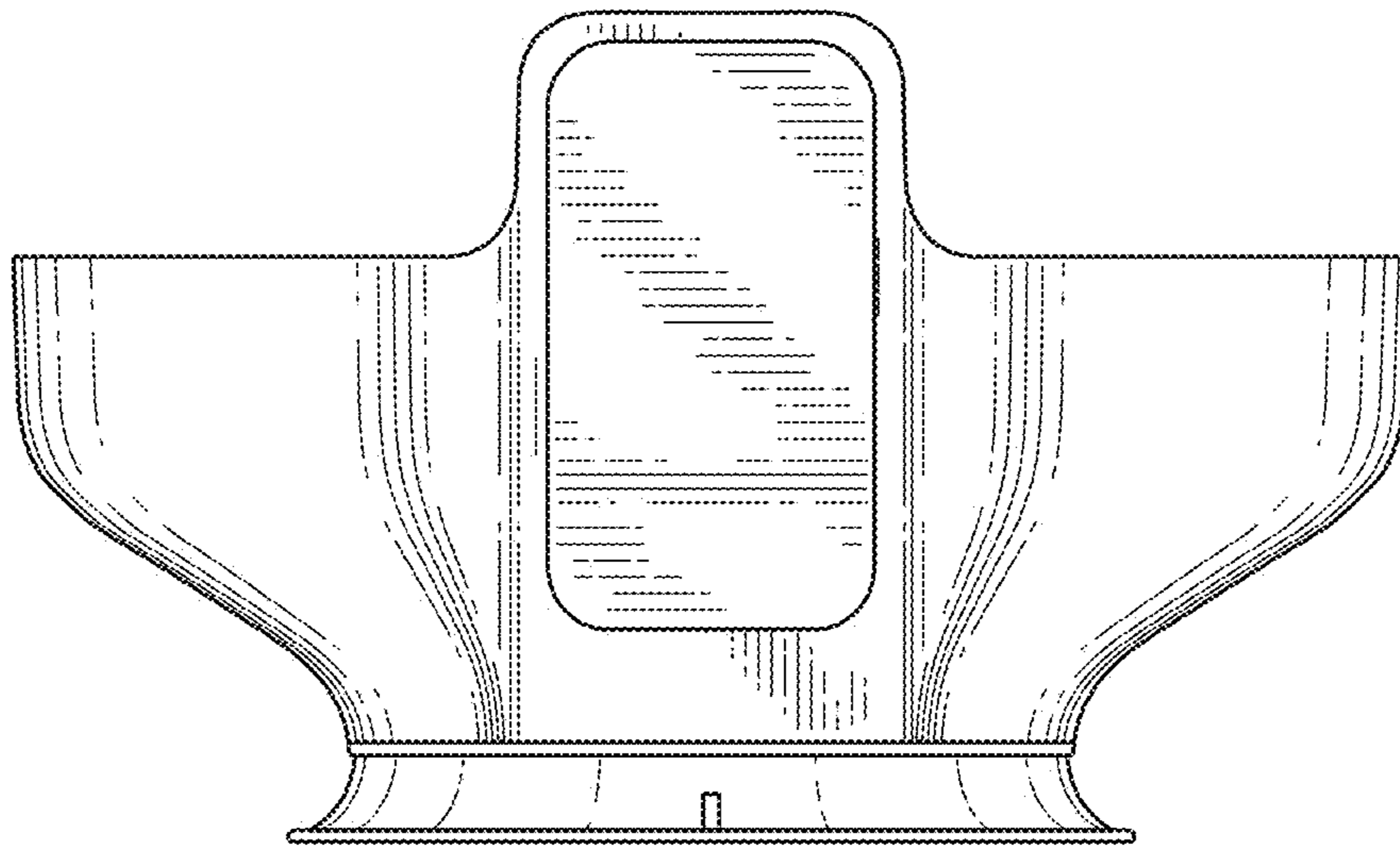


FIG. 7

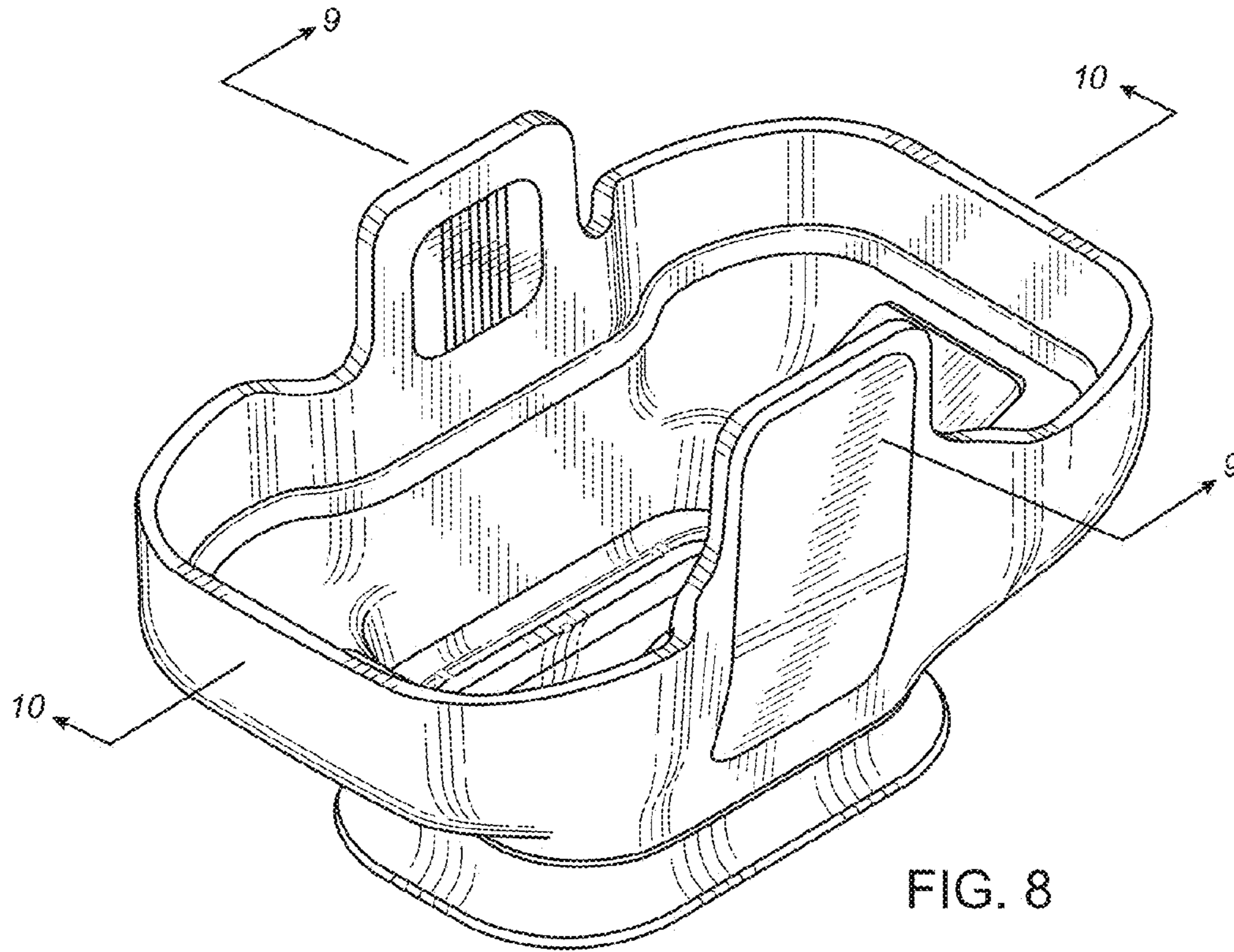


FIG. 8

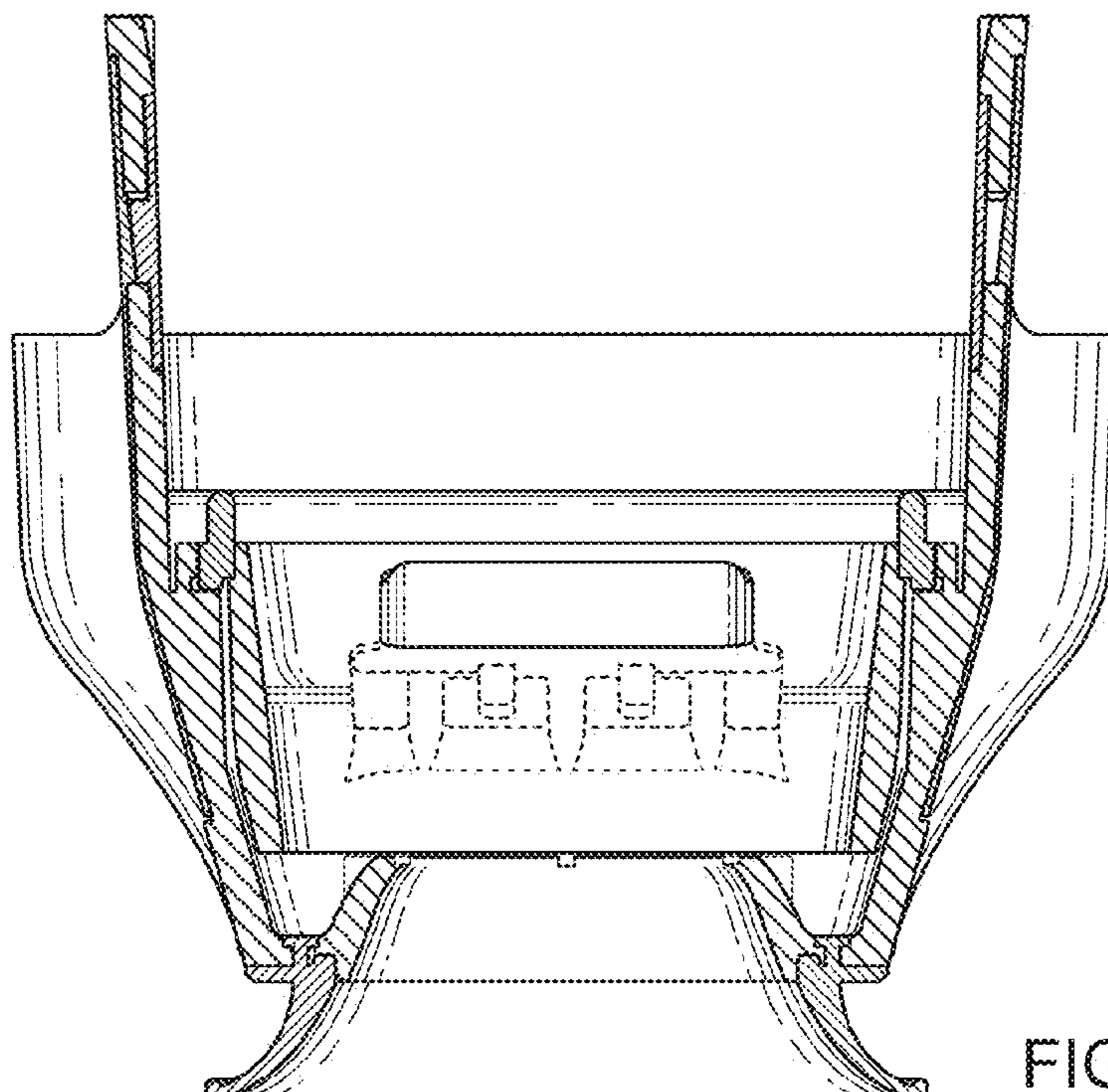


FIG. 9

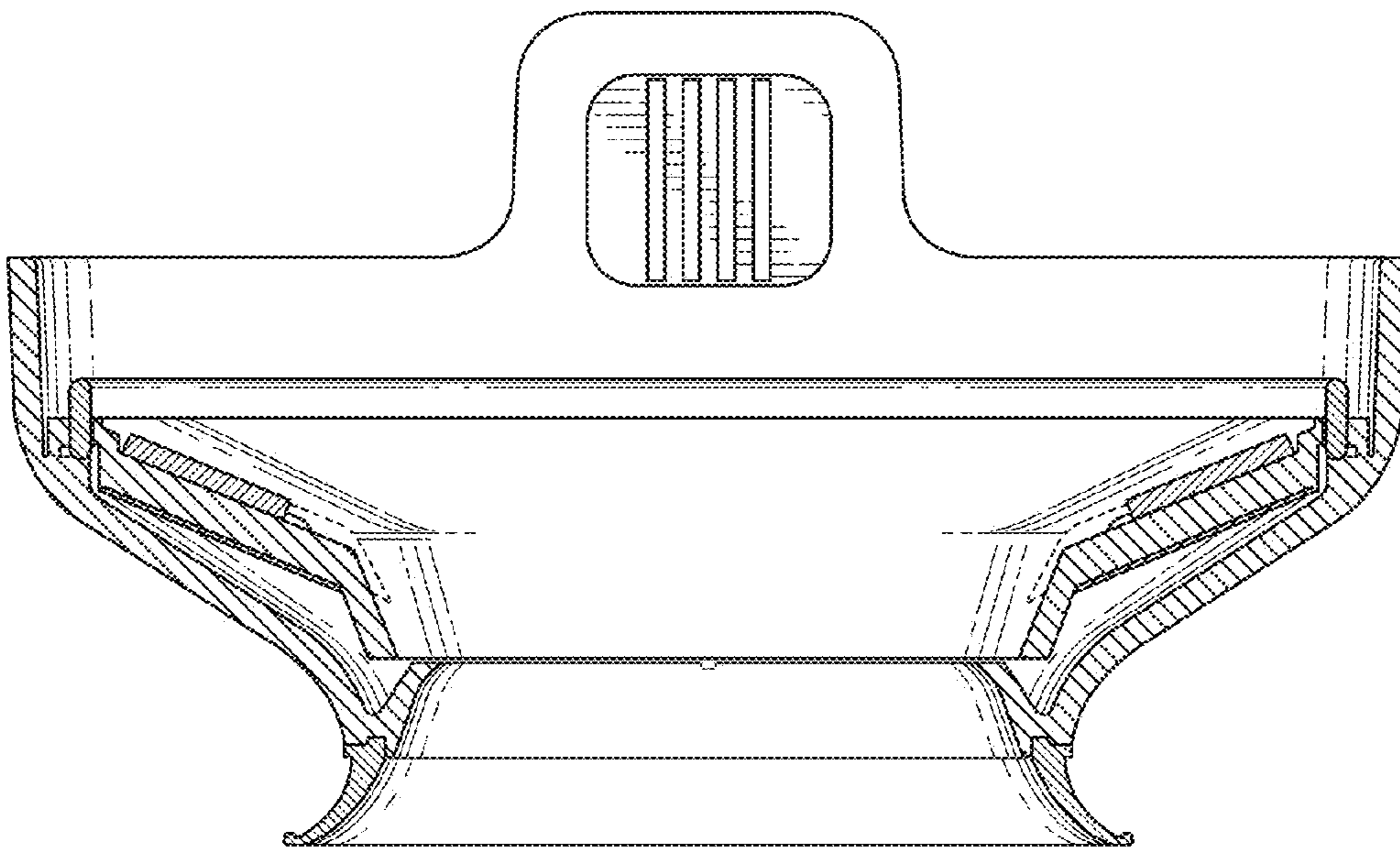


FIG. 10