



US00D713529S

(12) **United States Design Patent**
Li et al.

(10) **Patent No.:** **US D713,529 S**

(45) **Date of Patent:** **** Sep. 16, 2014**

(54) **EXPOSURE SWITCH FOR X-RAY IMAGING SYSTEM**

(56) **References Cited**

U.S. PATENT DOCUMENTS

(71) Applicant: **GE Medical Systems Global Technology Company, LLC**, Waukesha, WI (US)

2,535,021	A *	12/1950	Runge et al.	200/86 R
4,417,875	A *	11/1983	Matsui	433/101
5,787,760	A *	8/1998	Thorlakson	74/512
D542,739	S *	5/2007	Pollard	D13/167
D542,741	S *	5/2007	Ido et al.	D13/167
D559,199	S *	1/2008	Schurg et al.	D13/167
D559,200	S *	1/2008	Schurg et al.	D13/167
D589,460	S *	3/2009	Yang	D13/167
D669,441	S *	10/2012	Naef et al.	D13/167
D683,456	S *	5/2013	Moon et al.	D24/158
2009/0136000	A1 *	5/2009	Nishii et al.	378/98.3

(72) Inventors: **Jundong Li**, Beijing (CN); **Tianhui Wang**, Beijing (CN); **Yigang Xia**, Beijing (CN)

(73) Assignee: **GE Medical Systems Global Technology Company, LLC**, Waukesha, WI (US)

* cited by examiner

(**) Term: **14 Years**

Primary Examiner — Anhdao Doan

(21) Appl. No.: **29/446,817**

(74) *Attorney, Agent, or Firm* — Global Patent Operation; Marc A. Vivenzio

(22) Filed: **Feb. 27, 2013**

(57) **CLAIM**

The ornamental design for an exposure switch for x-ray imaging system, as shown and described.

(30) **Foreign Application Priority Data**

DESCRIPTION

Aug. 28, 2012 (CN) 2012 3 0409296

(51) **LOC (10) Cl.** **24-01**

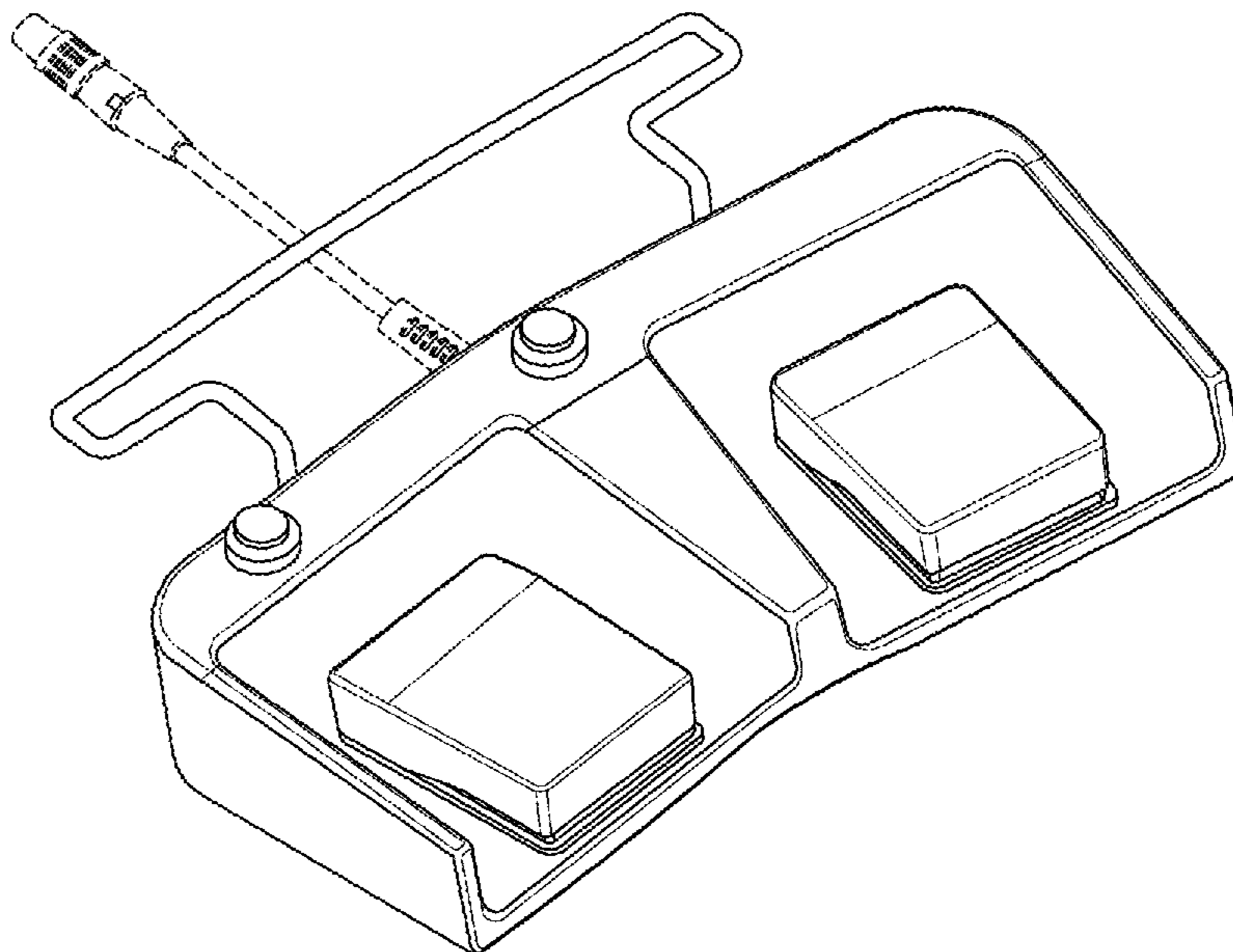
(52) **U.S. Cl.**
USPC **D24/158; D13/167**

(58) **Field of Classification Search**
USPC D24/158-161, 185, 186; 378/4, 21-27, 378/38, 40, 102, 196-198; D13/167, 168, D13/172; D14/419; 200/61.89, 86.5

FIG. 1 is a perspective view of an exposure switch for x-ray imaging system showing our new design; FIG. 2 is a front view of the exposure switch shown in FIG. 1; FIG. 3 is a rear view of the exposure switch shown in FIG. 1; FIG. 4 is a left side view of the exposure switch shown in FIG. 1; FIG. 5 is a right side view of the exposure switch shown in FIG. 1; and, FIG. 6 is a top view of the exposure switch shown in FIG. 1. The broken lines are included for the purpose of illustrating unclaimed portions of the exposure switch for x-ray imaging system and form no part of the claimed design.

See application file for complete search history.

1 Claim, 4 Drawing Sheets



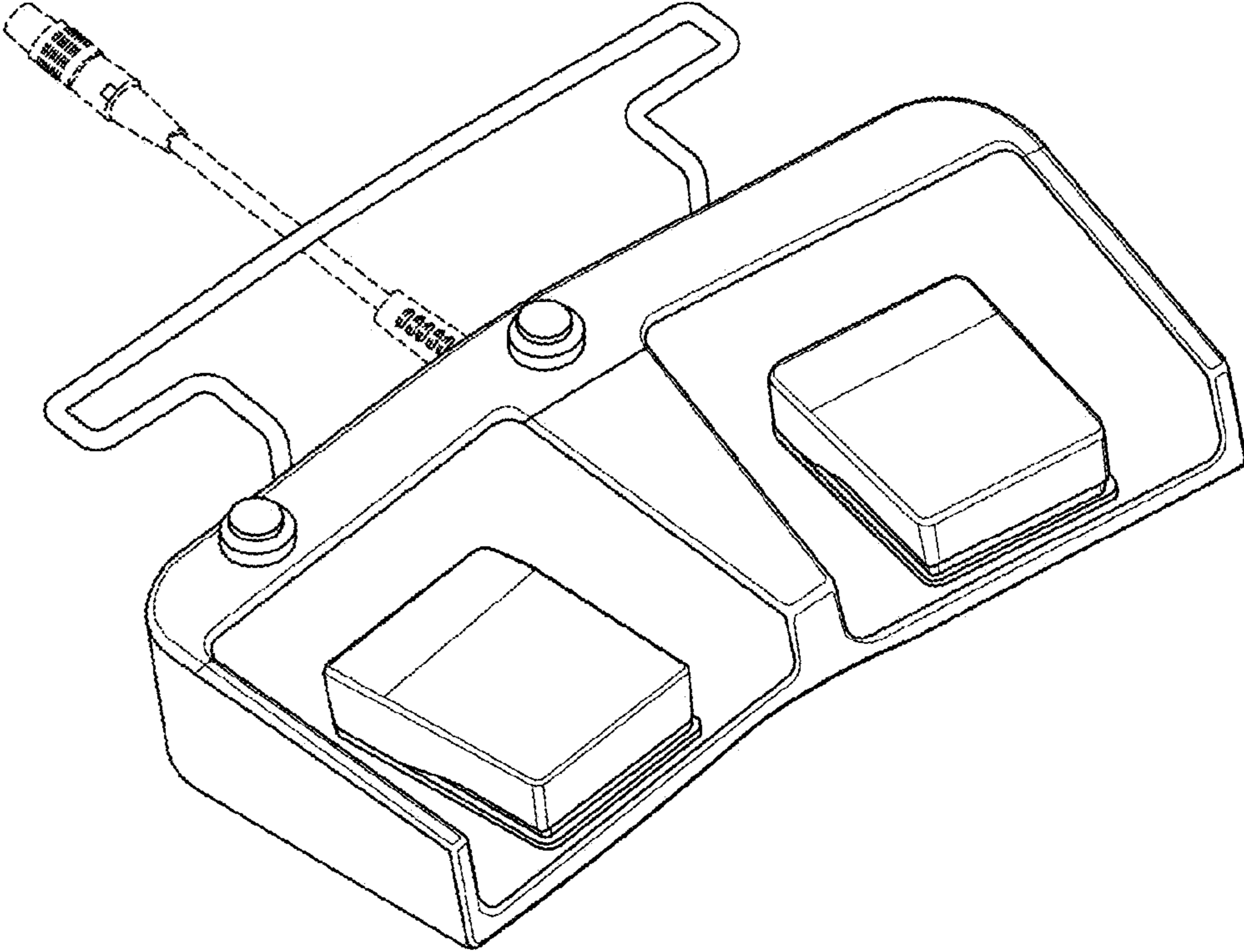


FIG. 1

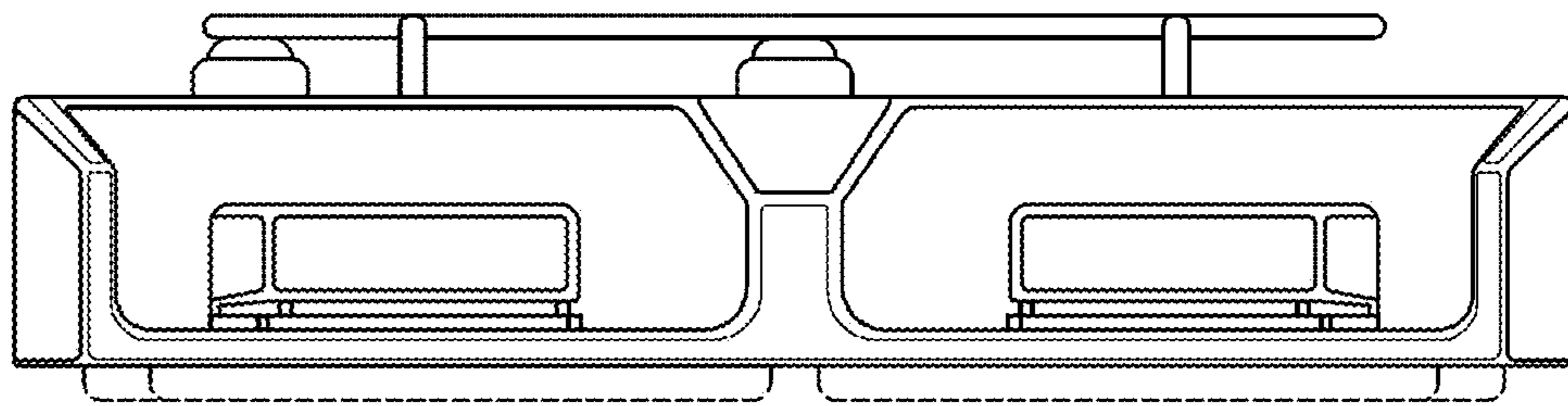


FIG. 2

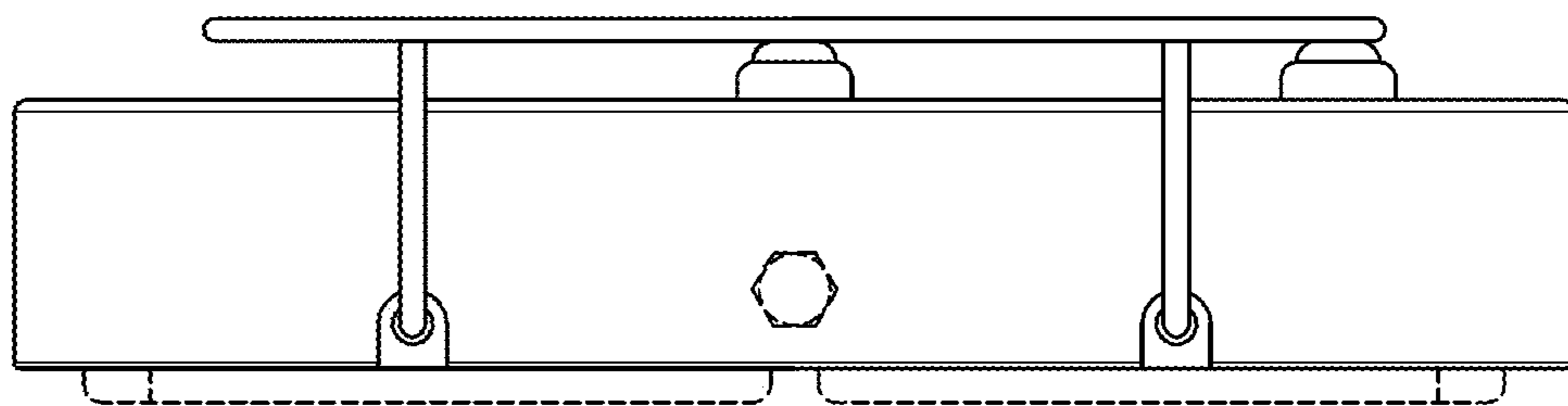


FIG. 3

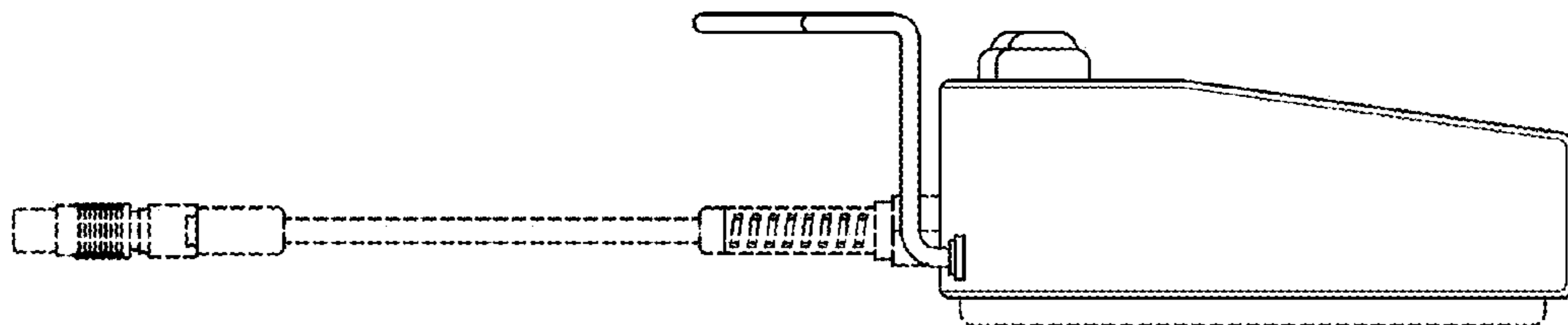


FIG. 4

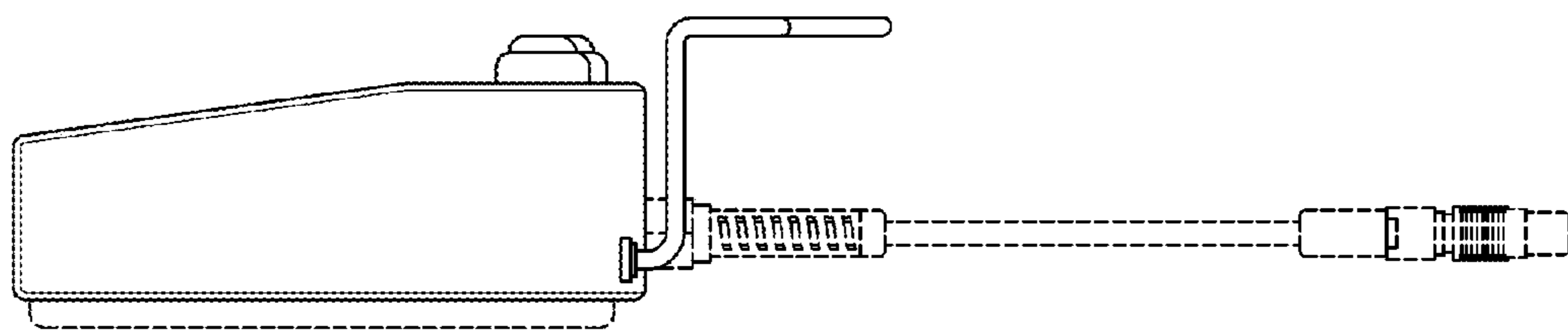


FIG. 5

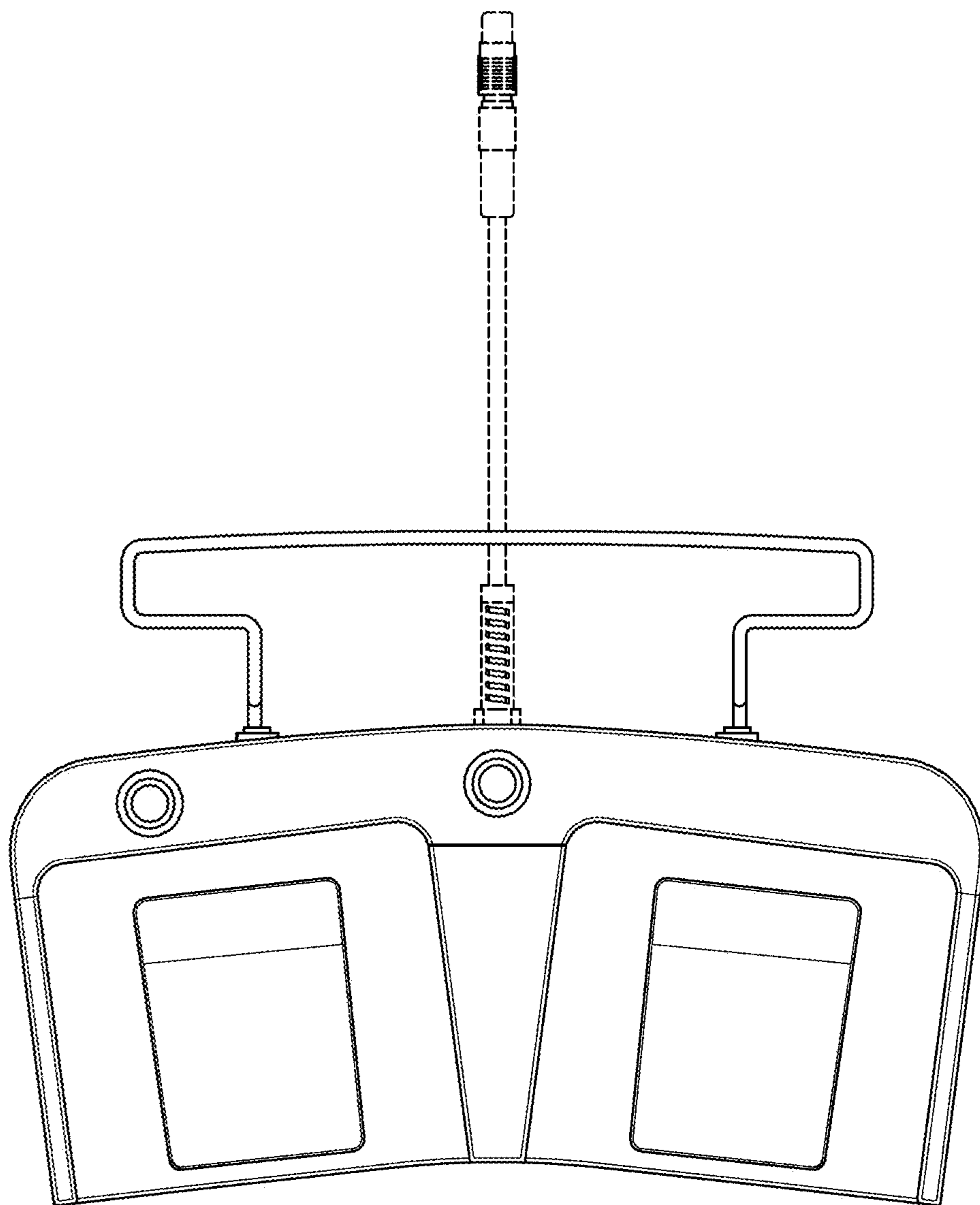


FIG. 6