



US00D713526S

(12) **United States Design Patent**
Wiedenbein

(10) **Patent No.:** **US D713,526 S**

(45) **Date of Patent:** **** Sep. 16, 2014**

(54) **SURGICAL CLAMP**

(71) Applicant: **Cardiomedical GmbH**, Langenhagen (DE)

(72) Inventor: **Wolfgang Wiedenbein**, Seelze (DE)

(73) Assignee: **Cardiomedical GmbH**, Langenhagen (DE)

(**) Term: **14 Years**

(21) Appl. No.: **29/461,786**

(22) Filed: **Jul. 26, 2013**

(51) **LOC (10) Cl.** **24-02**

(52) **U.S. Cl.**
USPC **D24/143**

(58) **Field of Classification Search**
USPC D24/133, 143, 147; D8/51, 72; 81/452;
600/225-226; 606/1, 49, 51-52, 251,
606/253, 258, 65, 324, 139, 142, 148, 151,
606/157-158, 205-208

See application file for complete search history.

(56) **References Cited**

U.S. PATENT DOCUMENTS

5,250,075 A * 10/1993 Badie 606/207
5,411,481 A * 5/1995 Allen et al. 606/205

7,270,660 B2 * 9/2007 Ryan 606/51
7,291,161 B2 * 11/2007 Hooven 606/205
7,582,097 B2 * 9/2009 McRury et al. 606/148
7,588,585 B2 * 9/2009 Gold et al. 606/206
D610,680 S * 2/2010 Blocher D24/143
7,862,581 B2 * 1/2011 Zeiner et al. 606/207
D632,788 S * 2/2011 Thouement D24/143
8,409,229 B2 * 4/2013 Wiedenbein 606/158
2003/0195559 A1 * 10/2003 Colgan et al. 606/205

* cited by examiner

Primary Examiner — Wan Laymon

(74) *Attorney, Agent, or Firm* — Husch Blackwell LLP

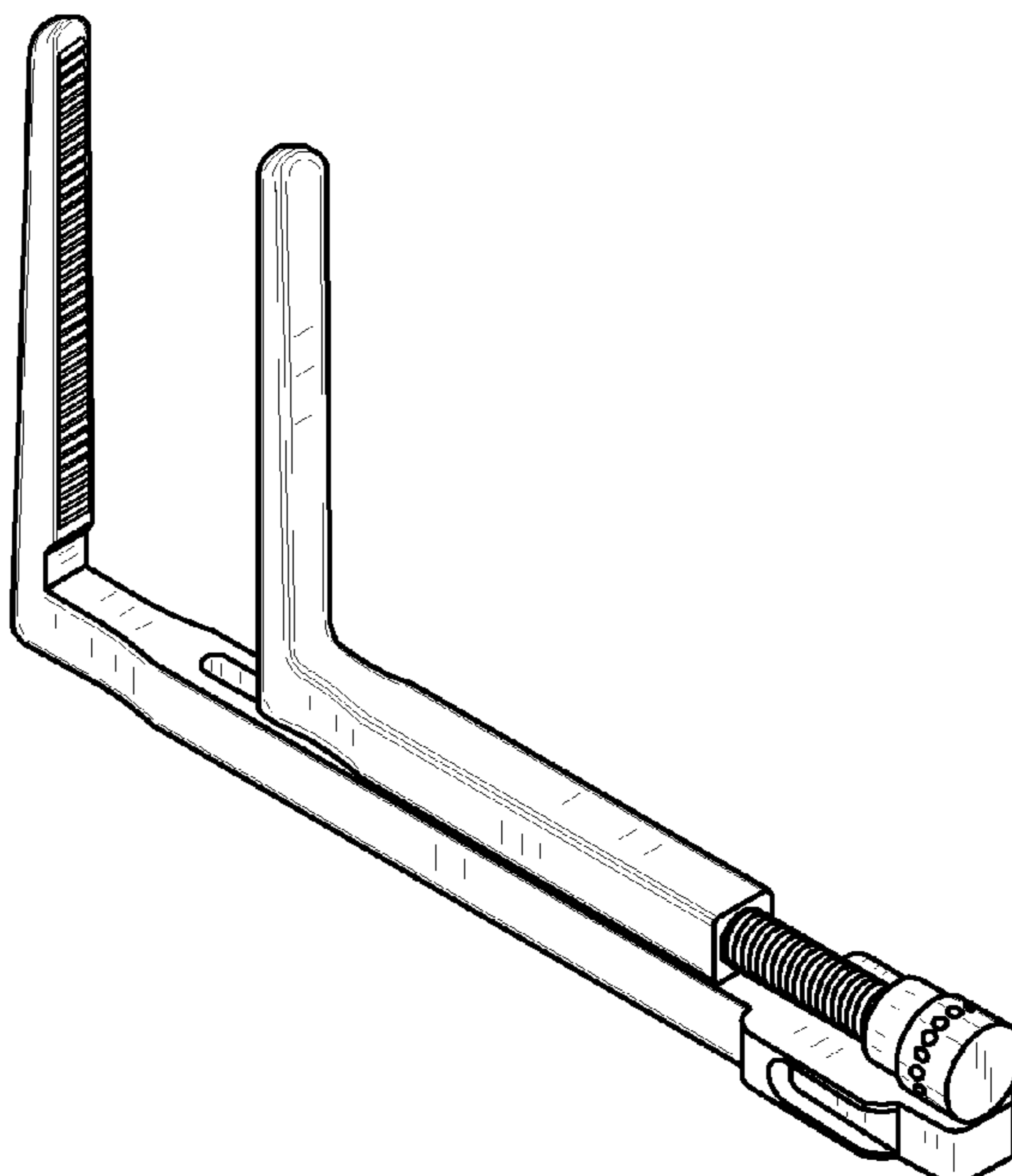
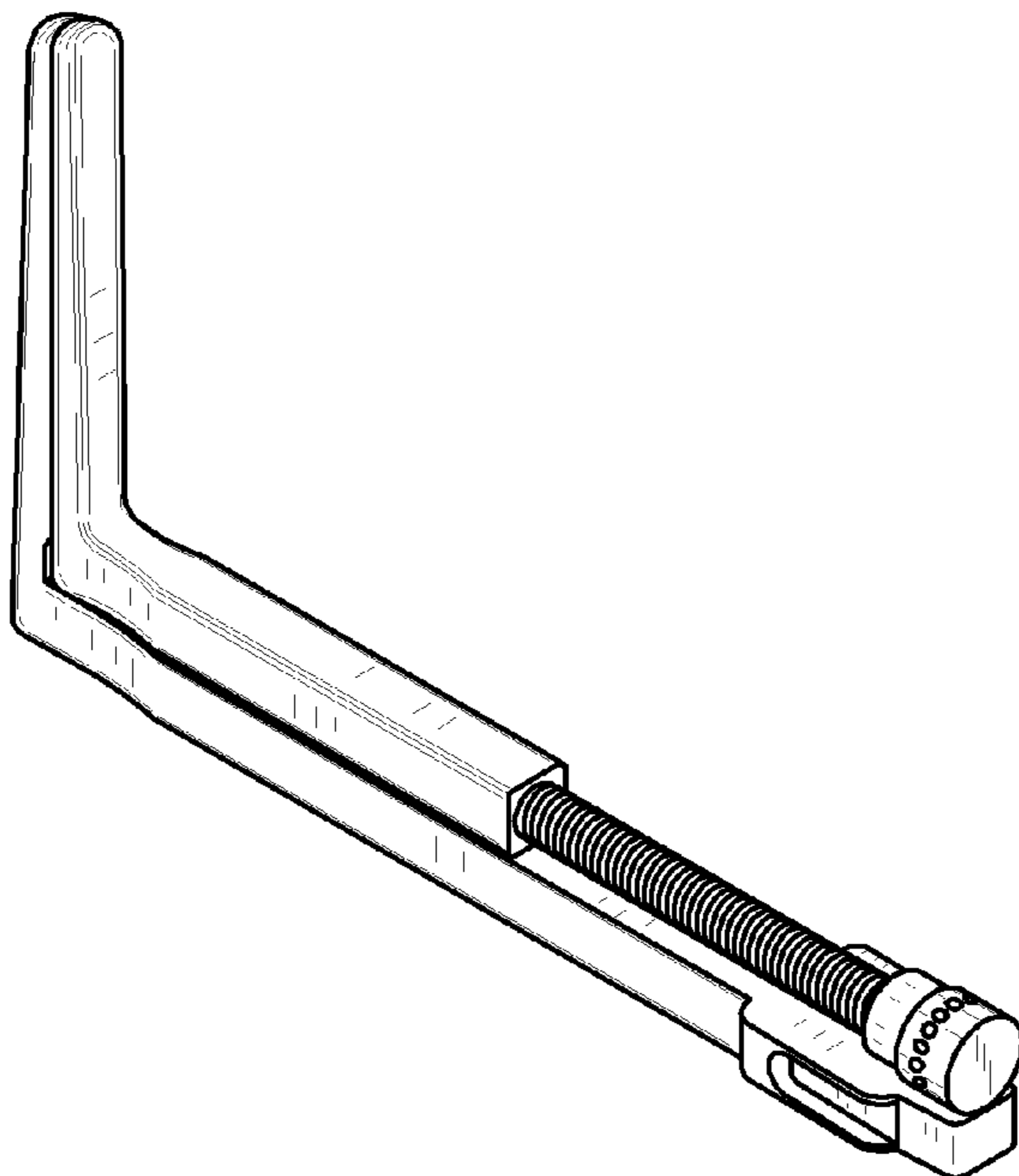
(57) **CLAIM**

I claim the ornamental design for a surgical clamp, as shown and described.

DESCRIPTION

FIG. 1 is a perspective view of a surgical clamp according to my new design;
FIG. 2 is a top view thereof;
FIG. 3 is a bottom view thereof;
FIG. 4 is a left side view thereof;
FIG. 5 is a right side view thereof;
FIG. 6 is a front view thereof;
FIG. 7 is a rear view thereof; and,
FIG. 8 is a perspective view thereof with the arms of the clamp in an open position.

1 Claim, 2 Drawing Sheets



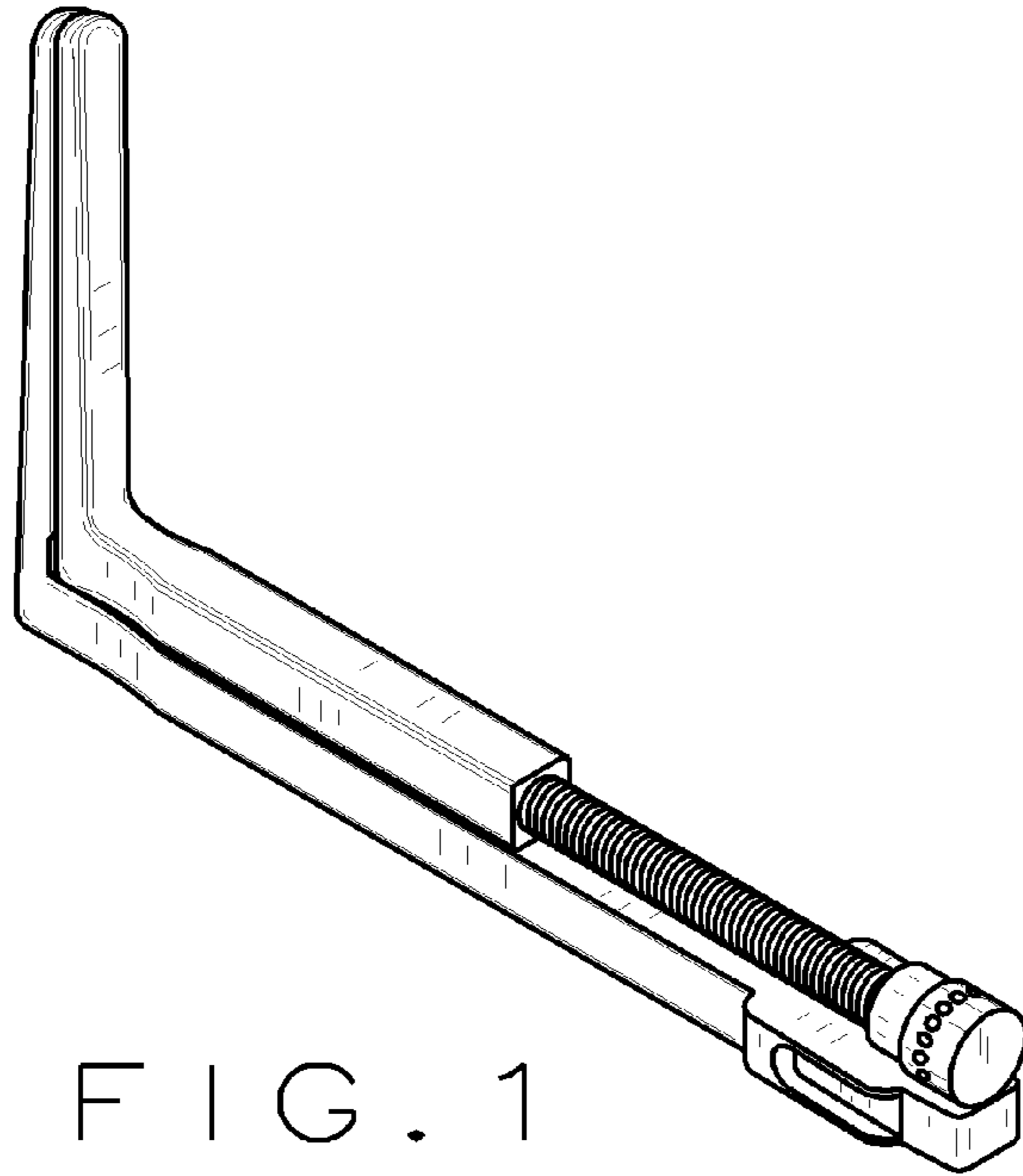


FIG. 1

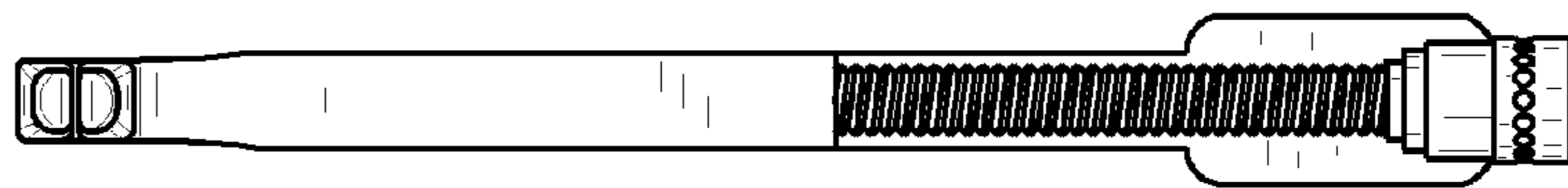


FIG. 2

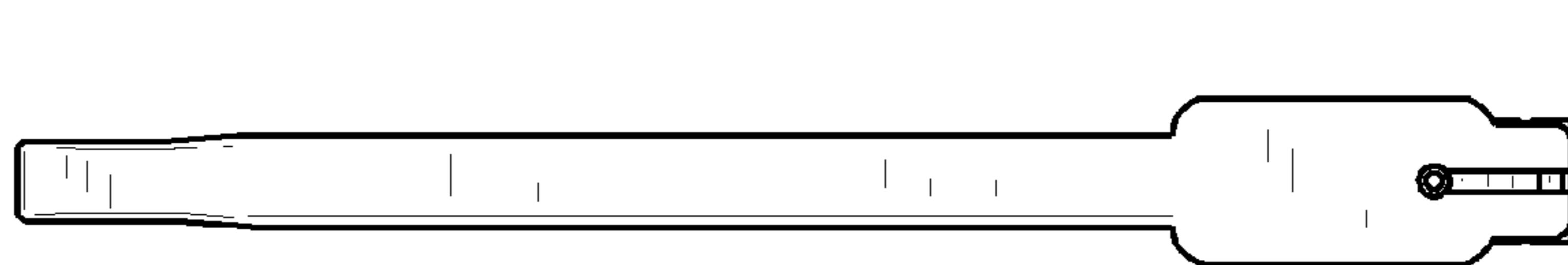


FIG. 3

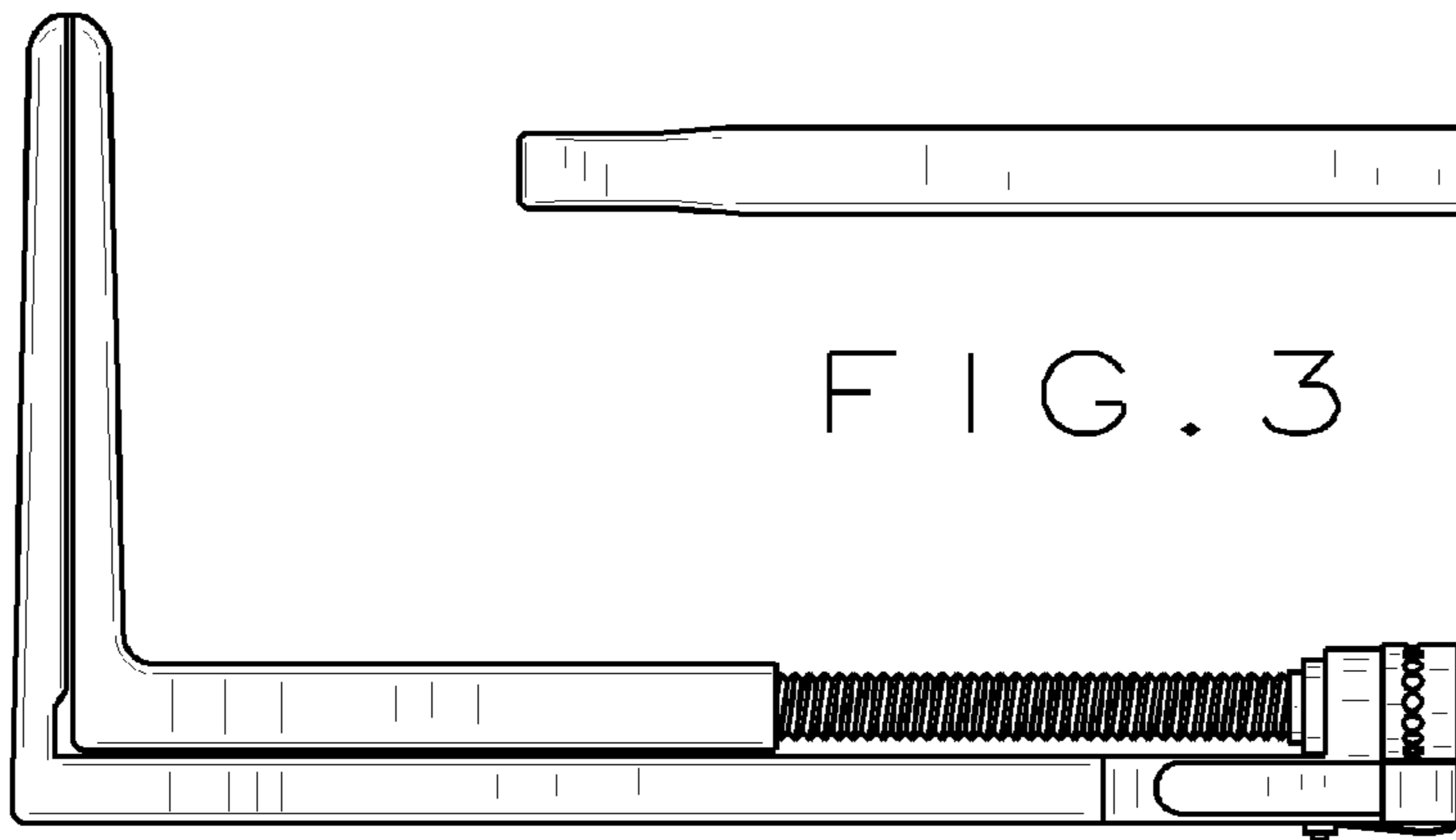


FIG. 4

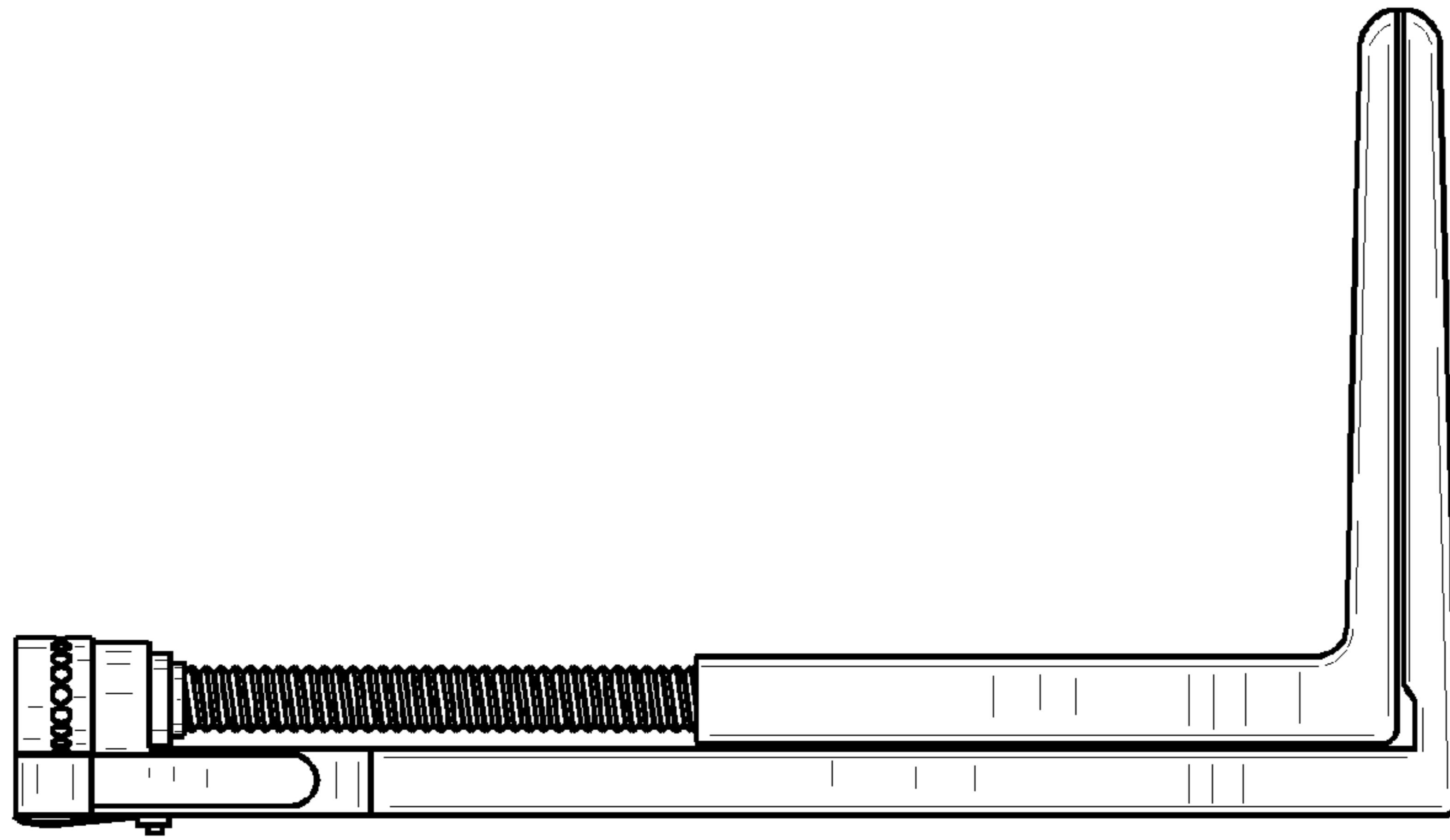


FIG. 5

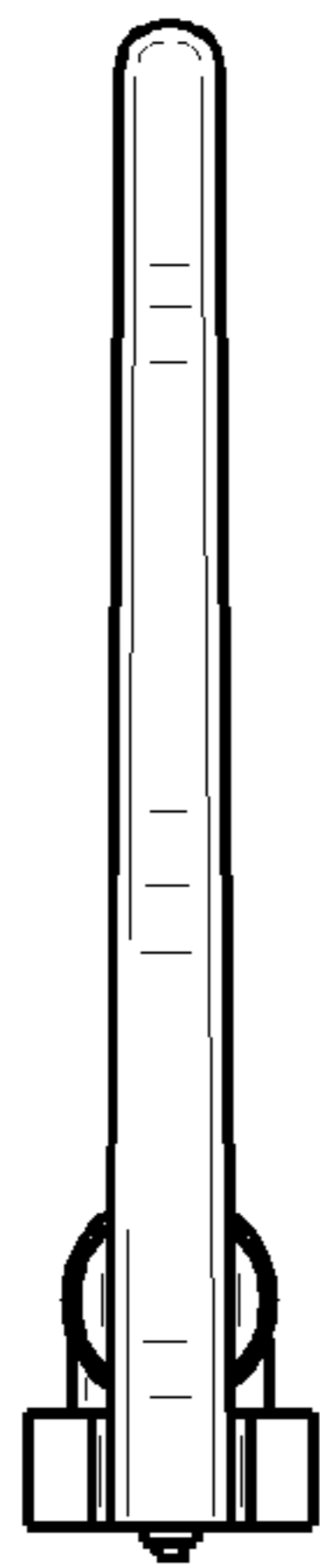


FIG. 7

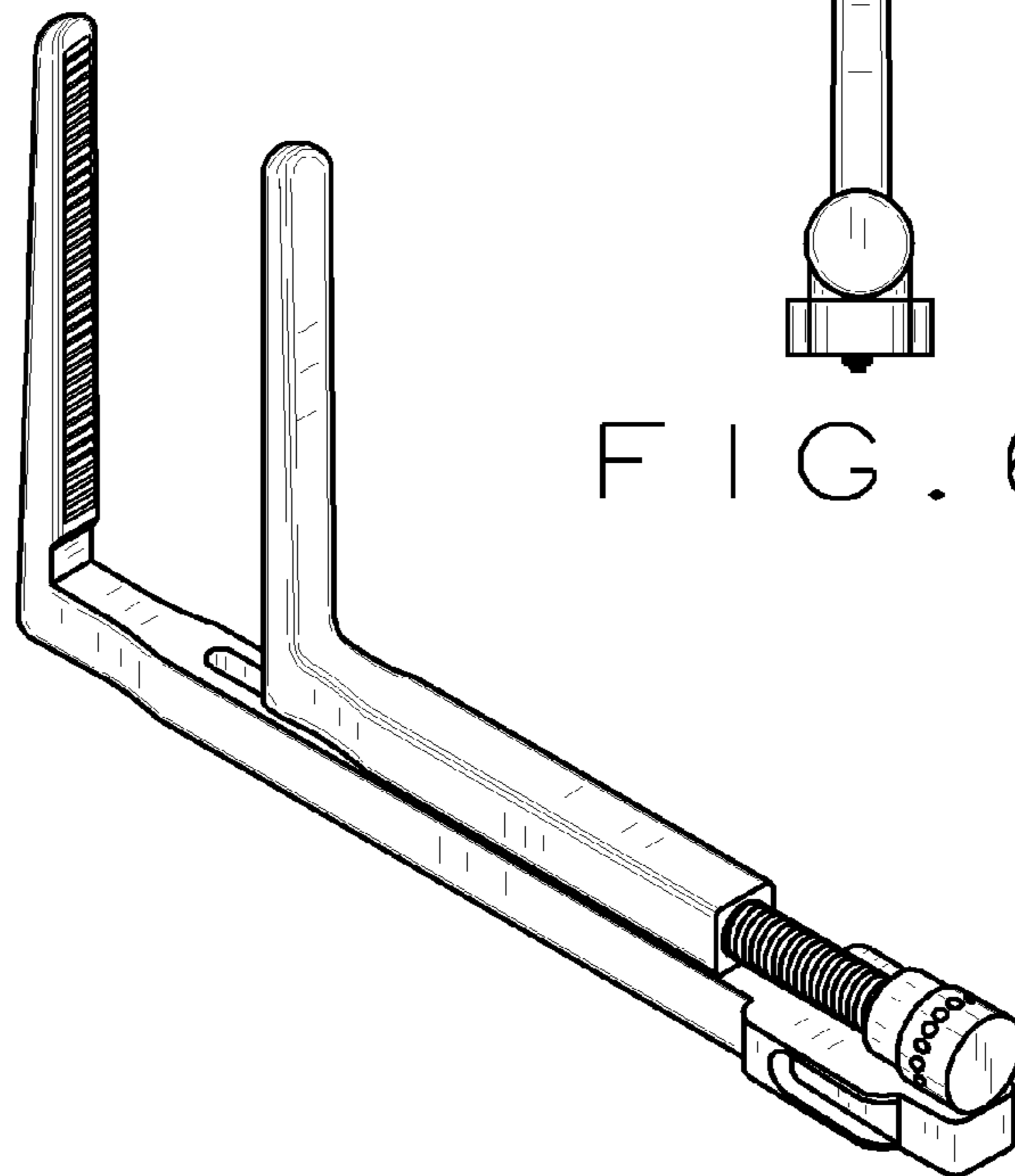


FIG. 8

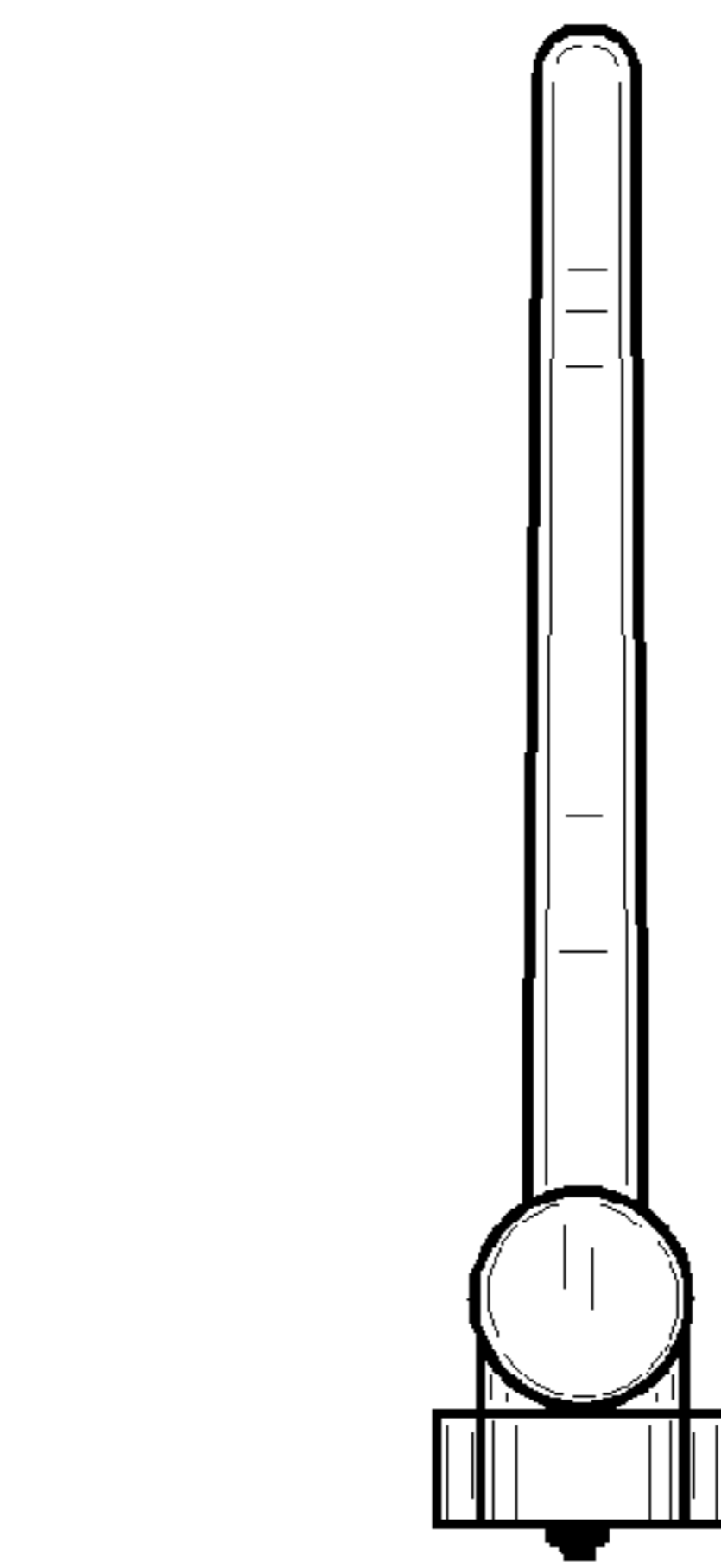


FIG. 6