



US00D713522S

(12) **United States Design Patent**
Woehr et al.

(10) **Patent No.:** **US D713,522 S**

(45) **Date of Patent:** **** Sep. 16, 2014**

(54) **DISTAL CATHETER HUB BODY**

(71) Applicant: **B. Braun Melsungen AG**, Melsungen
(DE)

(72) Inventors: **Kevin Woehr**, Felsberg (DE); **Helmut
Freigang**, Korle (DE); **Michael Zerbes**,
Wabern (DE)

(73) Assignee: **B. Braun Melsungen AG**, Melsungen
(DE)

(**) Term: **14 Years**

(21) Appl. No.: **29/446,549**

(22) Filed: **Feb. 25, 2013**

(30) **Foreign Application Priority Data**

Dec. 17, 2012 (DE) 002154492-0001

(51) **LOC (10) Cl.** **24-02**

(52) **U.S. Cl.**
USPC **D24/112**

(58) **Field of Classification Search**
USPC D24/112-114, 130, 127, 133, 186, 108;
606/181, 185; 604/264, 272, 115,
604/164.01-164.09, 533, 232, 187, 168.01,
604/192, 19, 48, 93.01, 523, 524, 526, 197,
604/198; 600/101, 139, 143; 128/200.24,
128/207.14, 207.15

See application file for complete search history.

(56) **References Cited**

U.S. PATENT DOCUMENTS

5,067,946	A *	11/1991	Zhadanov	604/198
5,169,391	A *	12/1992	Vogel	604/177
5,498,241	A *	3/1996	Fabozzi	604/177
5,549,571	A *	8/1996	Sak	604/198
6,332,874	B1 *	12/2001	Eliassen et al.	604/174
6,343,929	B1 *	2/2002	Fischer	433/81
6,527,747	B2 *	3/2003	Adams et al.	604/162
6,629,956	B1 *	10/2003	Polidoro et al.	604/164.01
6,835,190	B2 *	12/2004	Nguyen	604/198
7,018,344	B2 *	3/2006	Bressler et al.	600/573
7,566,325	B2 *	7/2009	Lim et al.	604/198
7,731,687	B2 *	6/2010	Menzi et al.	604/110
D667,106	S *	9/2012	Puhasmagi	D24/112

* cited by examiner

Primary Examiner — David Muller

(74) *Attorney, Agent, or Firm* — Klein, O'Neill & Singh,
LLP

(57) **CLAIM**

The ornamental design for a distal catheter hub body, as shown and described.

DESCRIPTION

FIG. 1 is a perspective view of a distal catheter hub body, showing our new design;
FIG. 2 is a perspective view of the same design from a different viewing angle;
FIG. 3 is a top plan view thereof
FIG. 4 is a left side elevation view thereof;
FIG. 5 is a right side elevation view thereof;
FIG. 6 is a bottom plan view thereof;
FIG. 7 is a rear elevation view thereof; and,
FIG. 8 is a front elevation view thereof.
Broken lines are for illustrative purposes only and form no part of the claimed design.

1 Claim, 2 Drawing Sheets

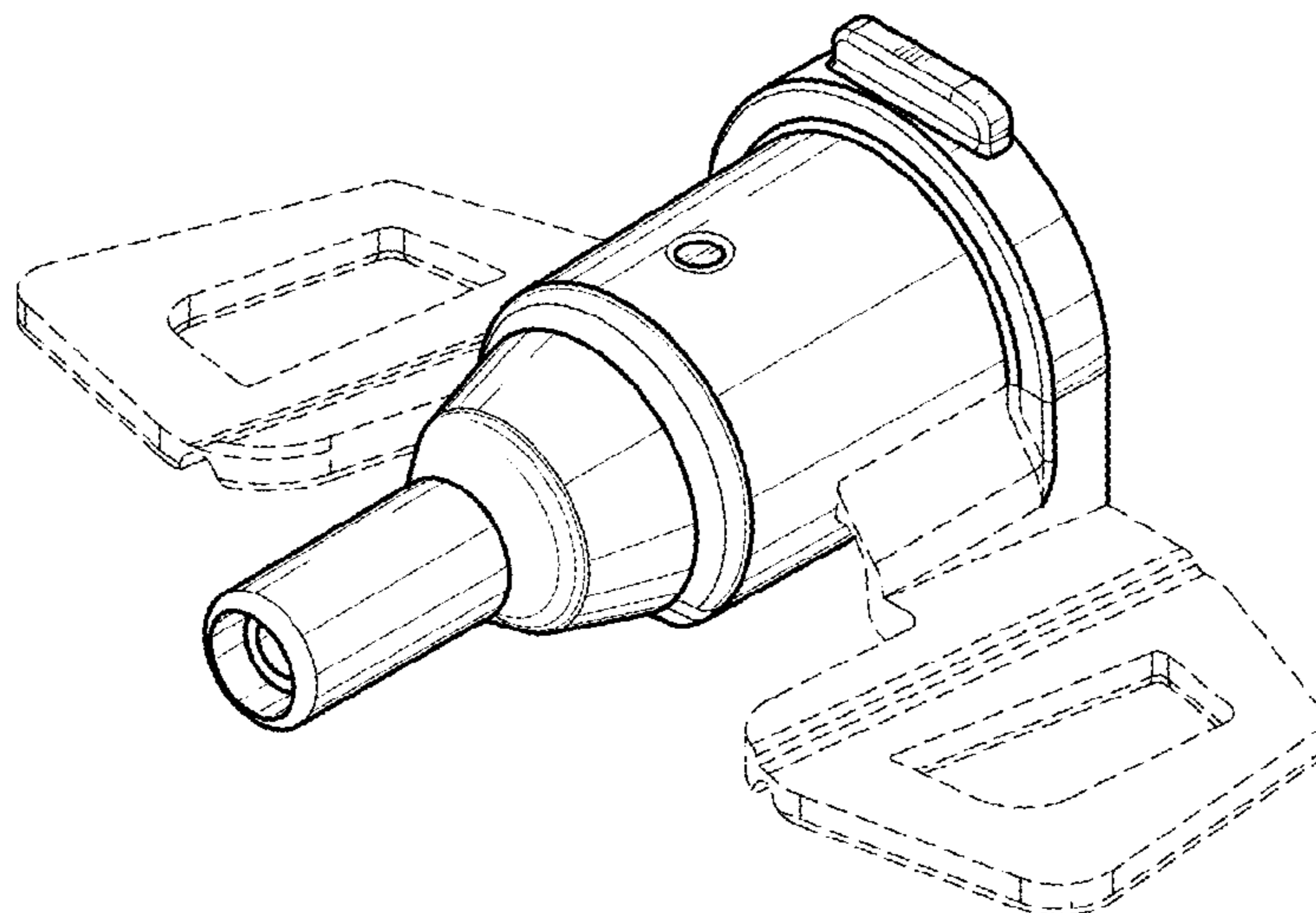


FIG. 1

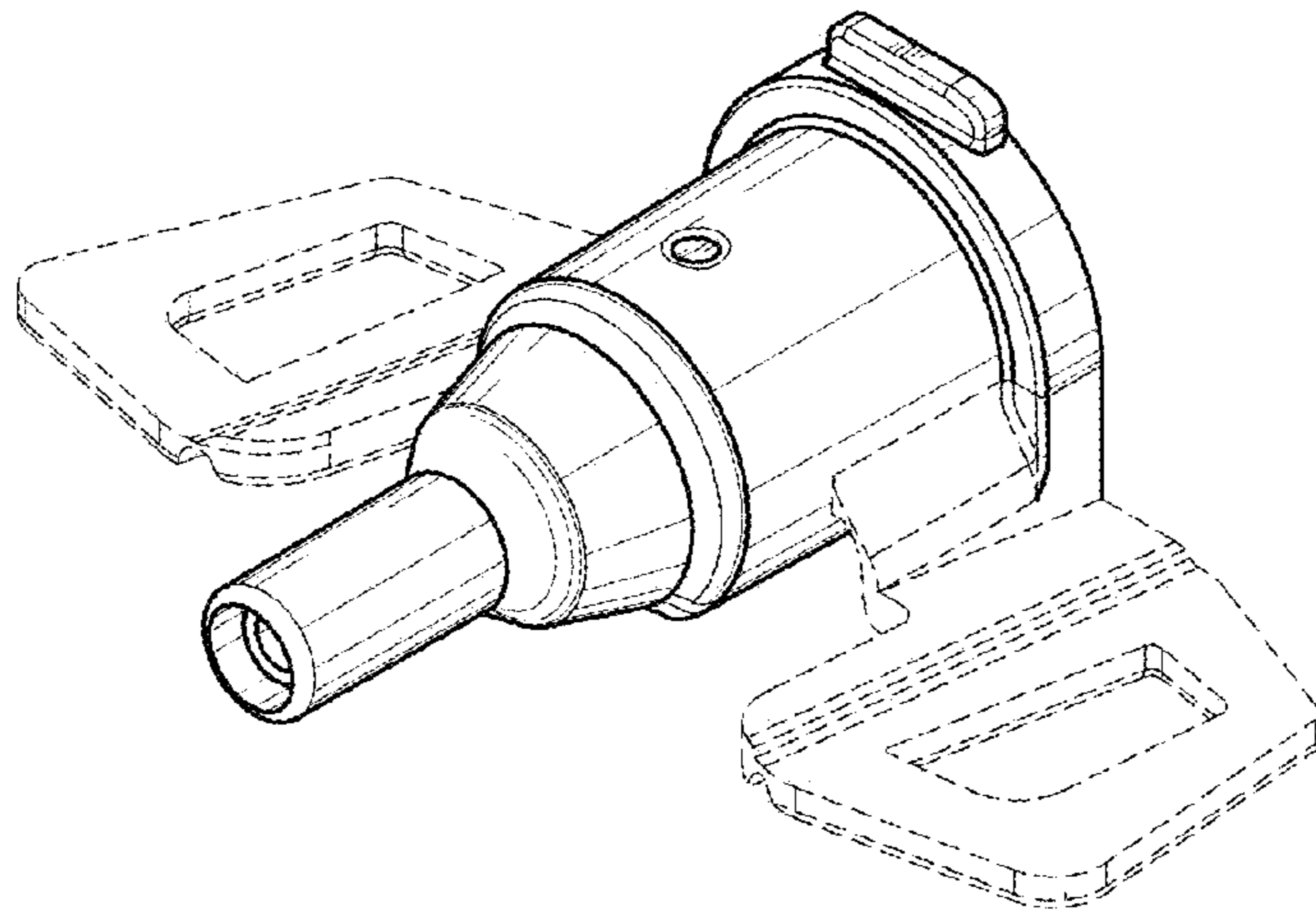


FIG. 2

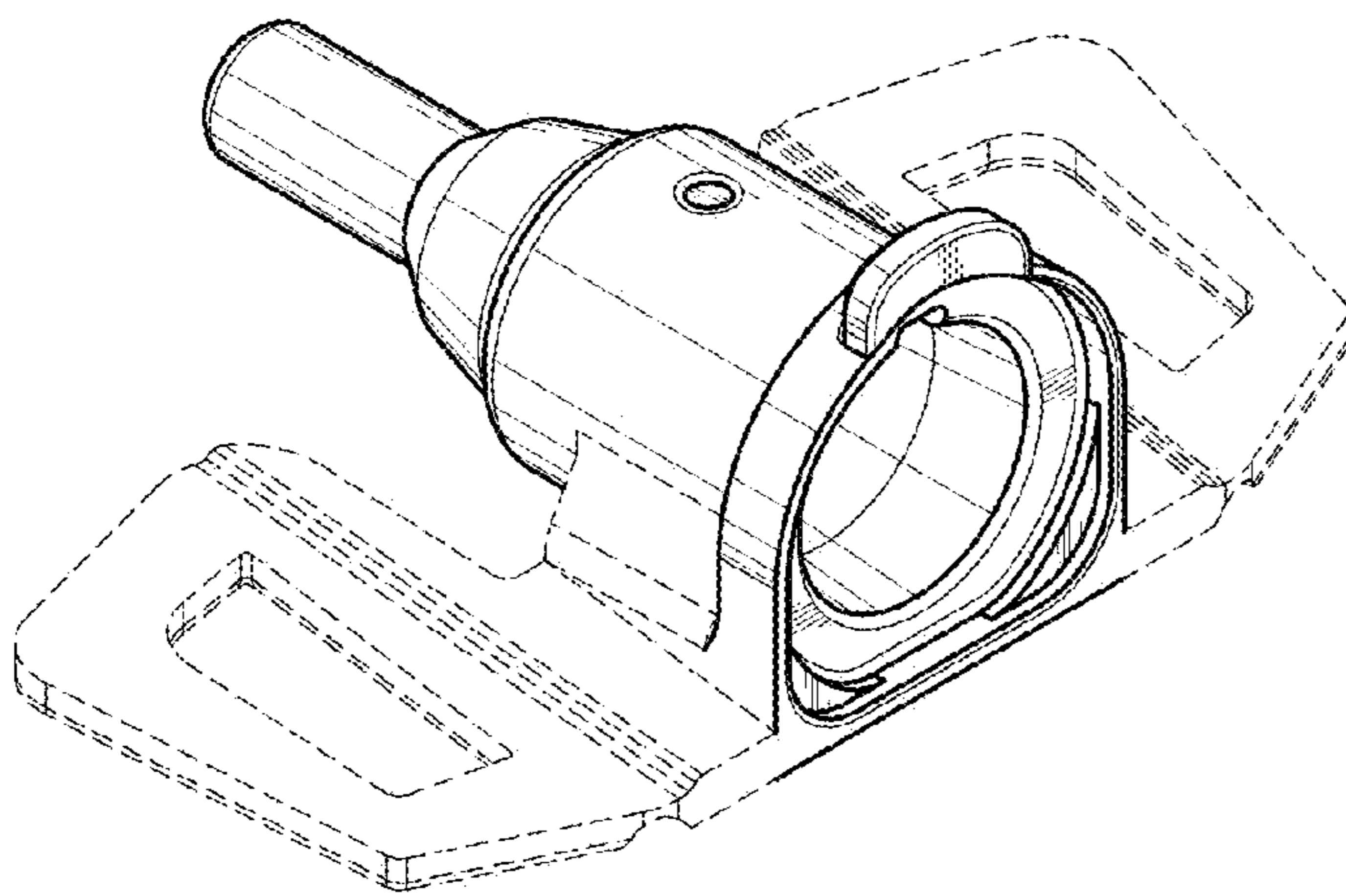
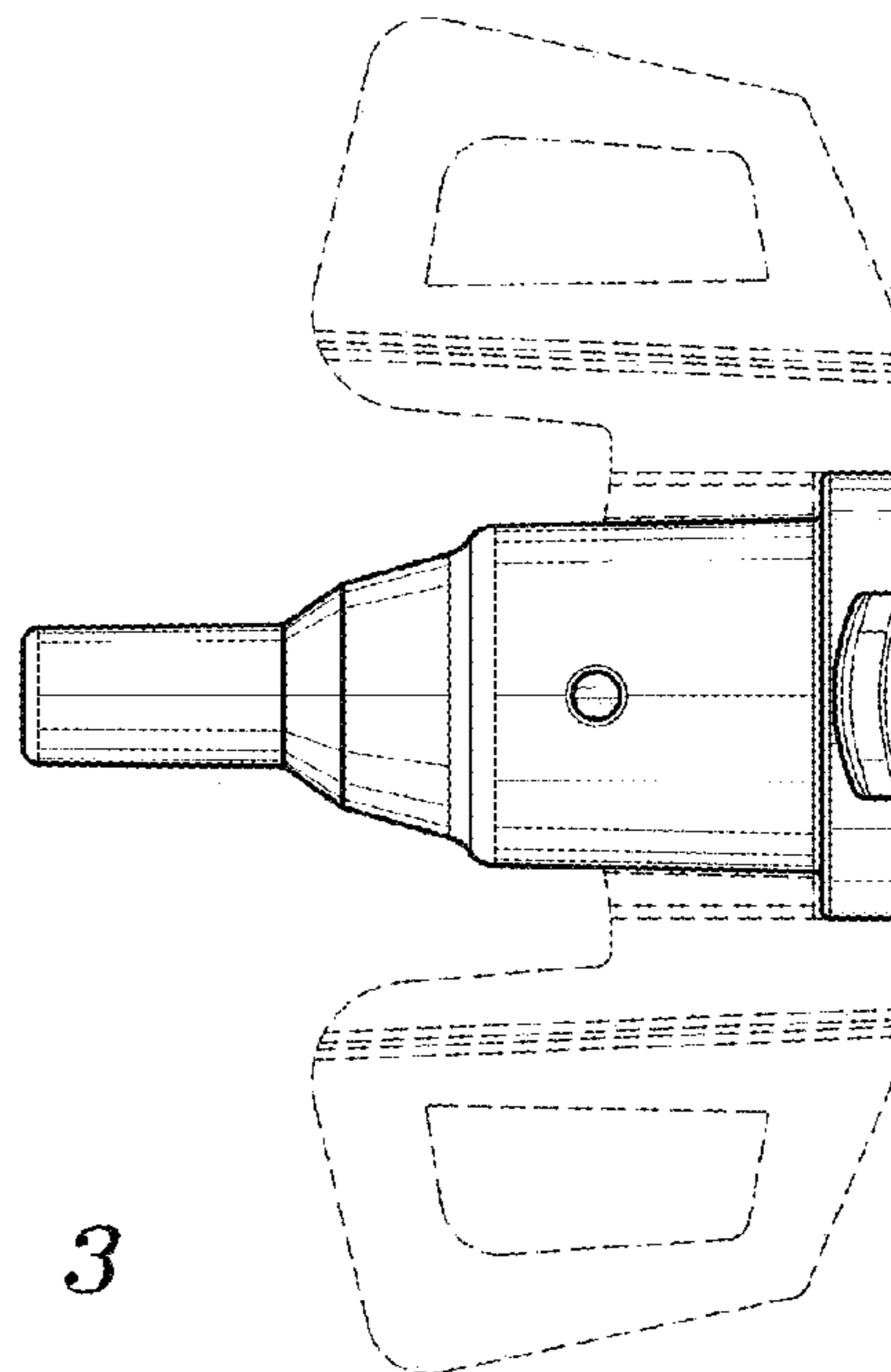


FIG. 3



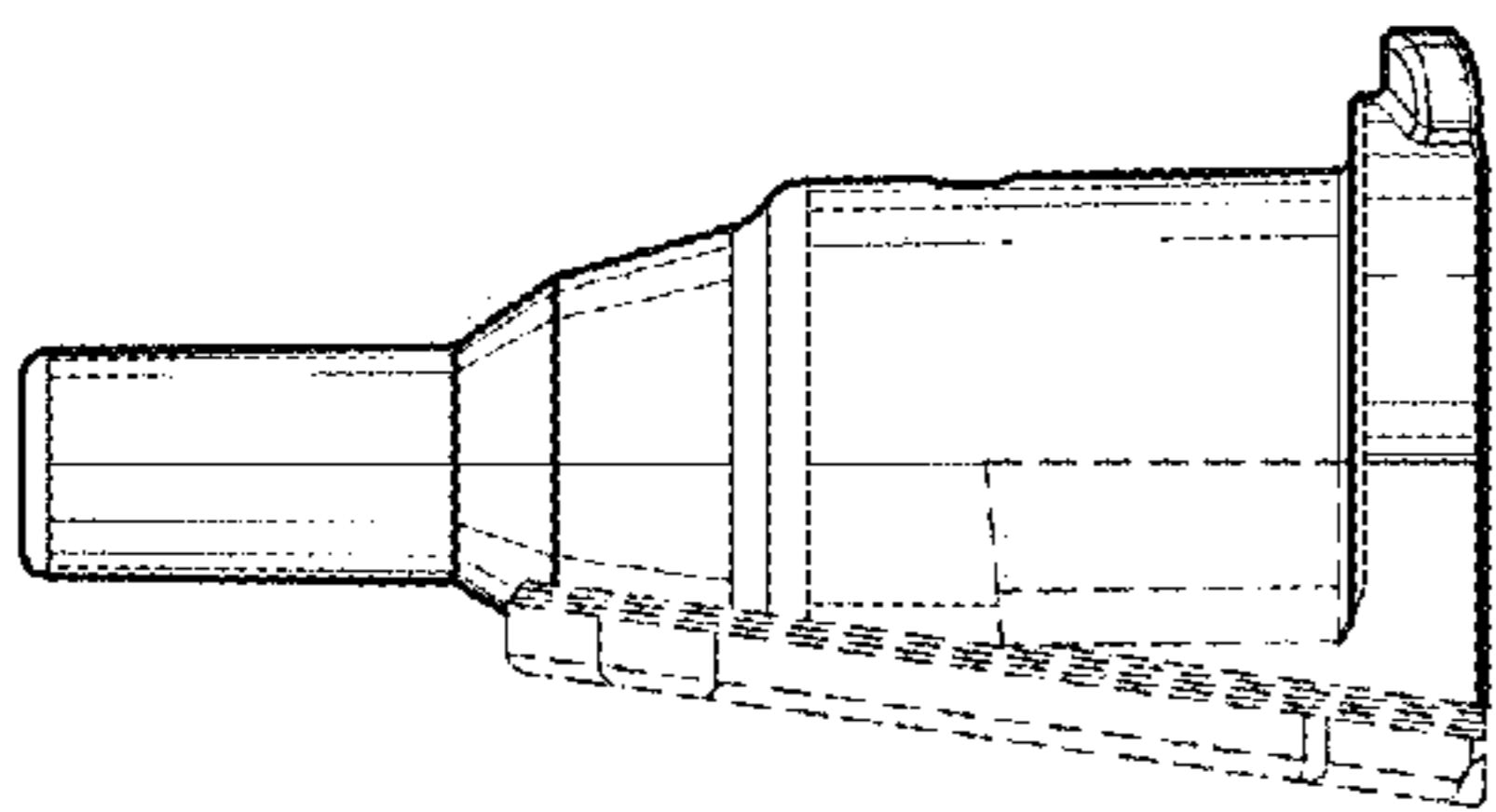


FIG. 4

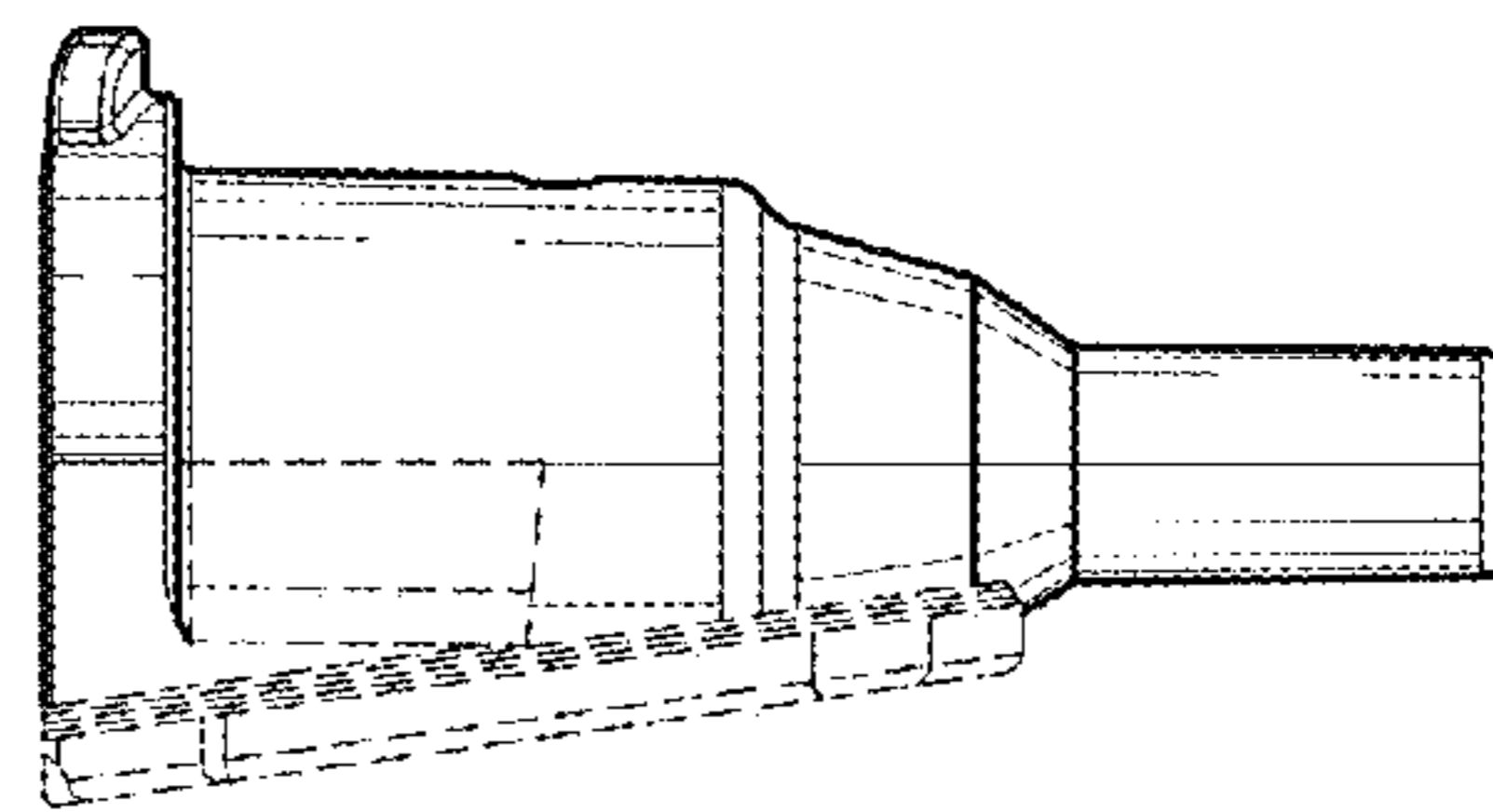


FIG. 5

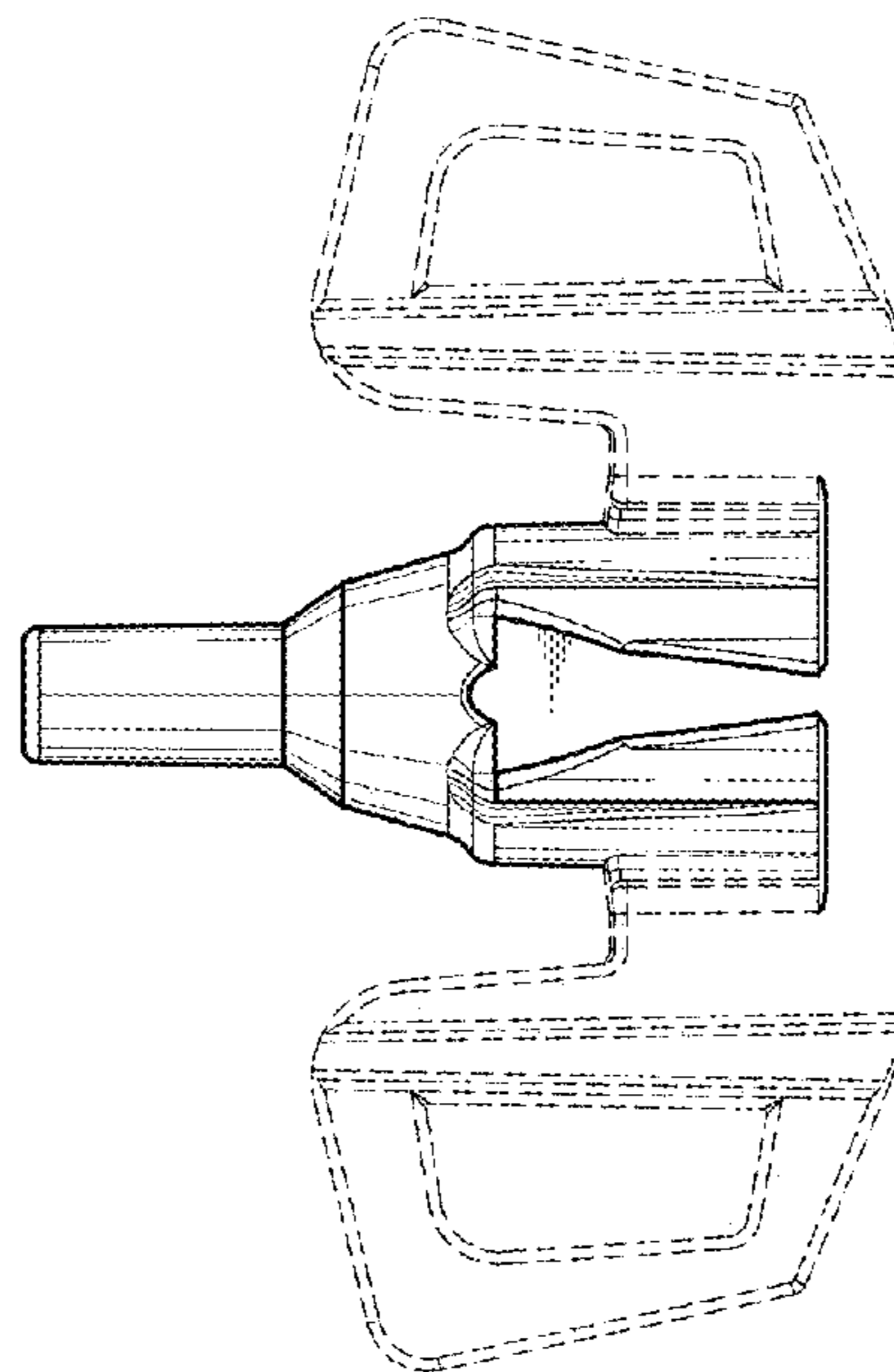


FIG. 6

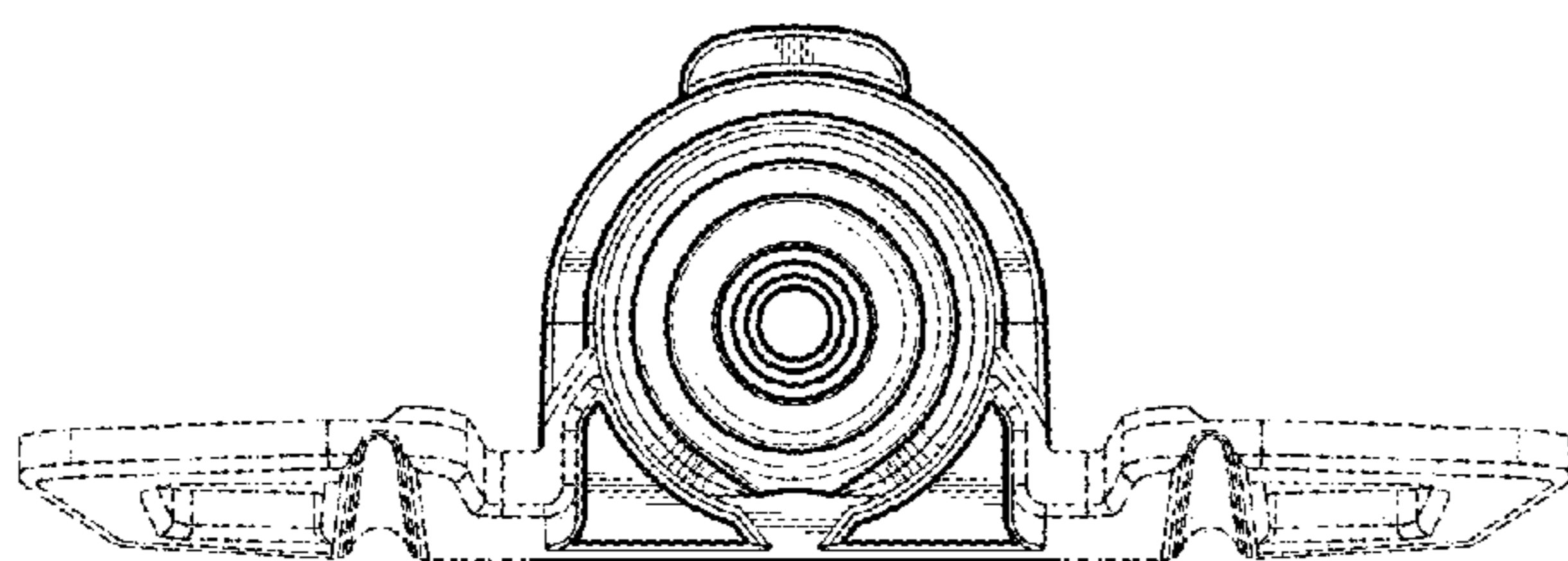


FIG. 7

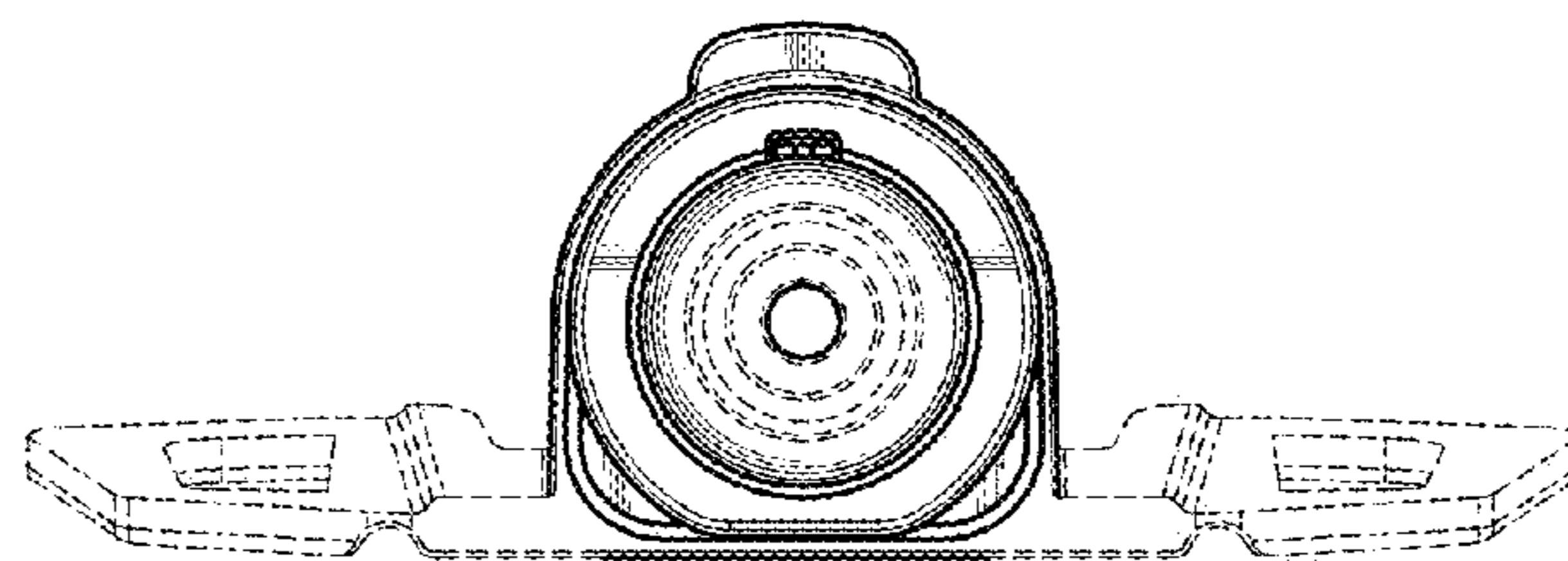


FIG. 8