



US00D713521S

(12) **United States Design Patent**
Goldwitz

(10) **Patent No.:** **US D713,521 S**

(45) **Date of Patent:** **** Sep. 16, 2014**

(54) **WOOD RACK**

(71) Applicant: **Brian Goldwitz**, West Haven, CT (US)

(72) Inventor: **Brian Goldwitz**, West Haven, CT (US)

(73) Assignee: **New England Outdoor & Recreational Products, LLC**, West Haven, CT (US)

(**) Term: **14 Years**

(21) Appl. No.: **29/475,847**

(22) Filed: **Dec. 6, 2013**

(51) **LOC (10) Cl.** **23-03**

(52) **U.S. Cl.**

USPC **D23/410**

(58) **Field of Classification Search**

USPC D23/405, 407, 409, 410, 415-422, 499,
D23/403; D7/403, 404, 407; D13/100;
44/530, 550; 126/39 E, 144, 148, 242,
126/243, 258, 500, 540

See application file for complete search history.

(56) **References Cited**

U.S. PATENT DOCUMENTS

4,236,775 A * 12/1980 Haynes 312/351
4,264,081 A * 4/1981 Markham 280/5.24
4,509,650 A * 4/1985 Wilgosz 211/60.1
5,028,062 A * 7/1991 Pinnell et al. 280/47.34

D338,357 S * 8/1993 Dworkin D6/462
D381,413 S * 7/1997 Feinsilber D23/410
D421,297 S * 2/2000 Mele D23/410
D642,672 S * 8/2011 Alexander D23/410
D646,378 S * 10/2011 Alexander D23/410
2012/0288596 A1 * 11/2012 Holdo Baggott 426/235

* cited by examiner

Primary Examiner — Karen S Acker

(74) *Attorney, Agent, or Firm* — Loza & Loza, LLP; Julio M. Loza

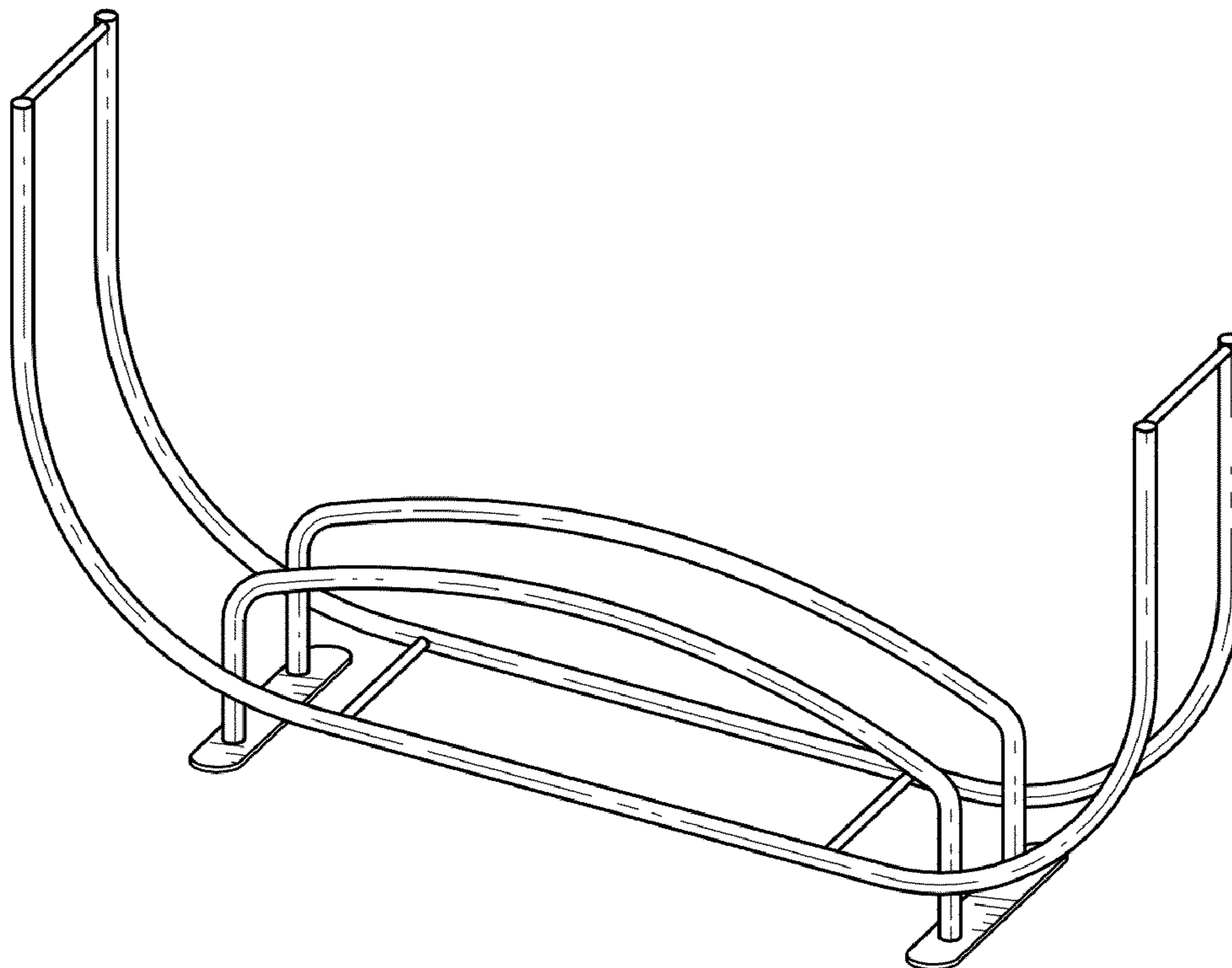
(57) **CLAIM**

The ornamental design for a wood rack, as shown and described.

DESCRIPTION

FIG. 1 is a front top perspective view of a wood rack of the present invention;
FIG. 2 is a top plan view of the wood rack of FIG. 1;
FIG. 3 is a first side elevation view of the wood rack of FIG. 1;
FIG. 4 is a second side elevation view of the wood rack of FIG. 1;
FIG. 5 is a back elevation view of the wood rack of FIG. 1;
FIG. 6 is a bottom plan view the wood rack of FIG. 1;
FIG. 7 is a left side perspective view of the wood rack of FIG. 1; and,
FIG. 8 is a right side perspective view of the wood rack of FIG. 1.

1 Claim, 4 Drawing Sheets



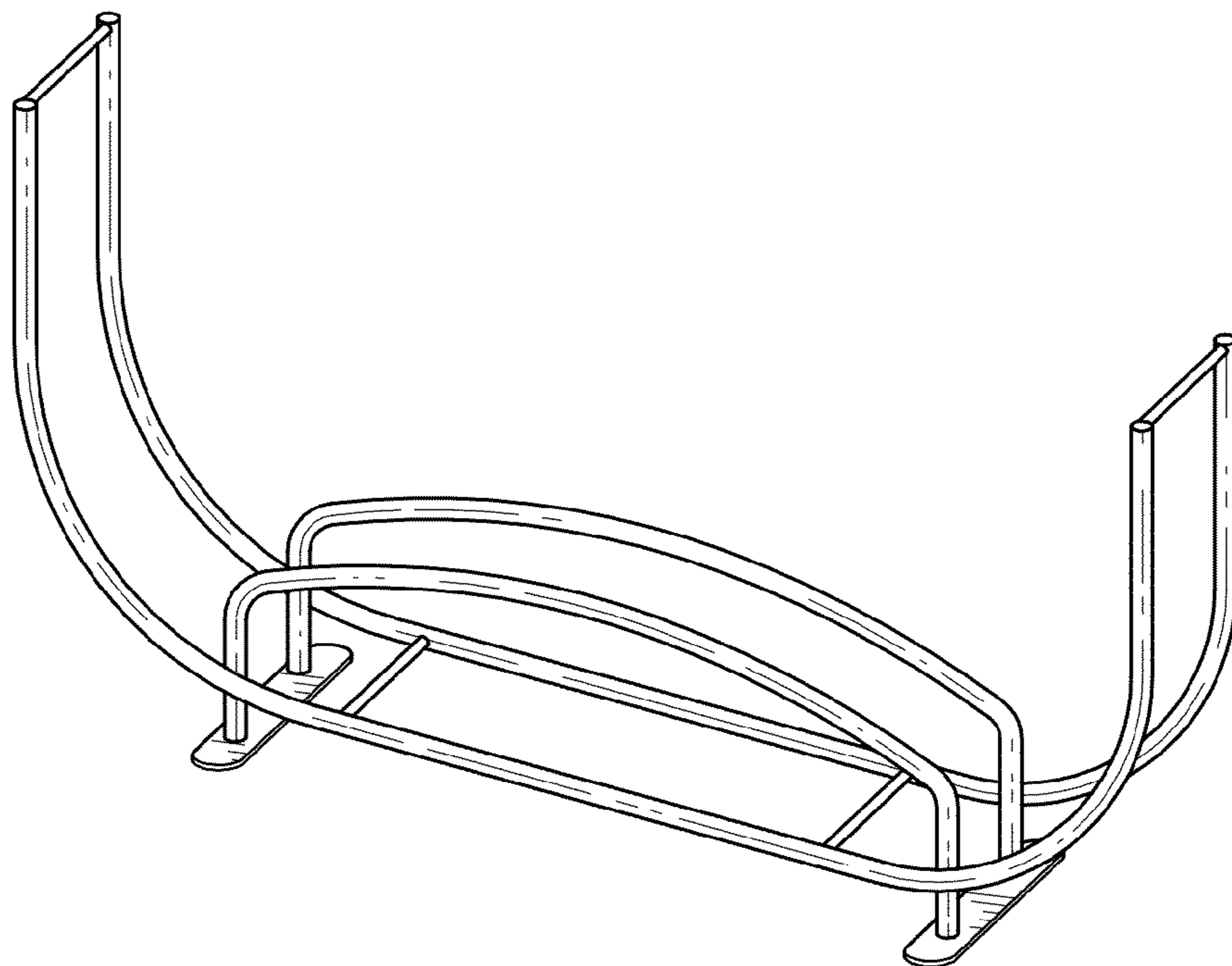


FIG. 1

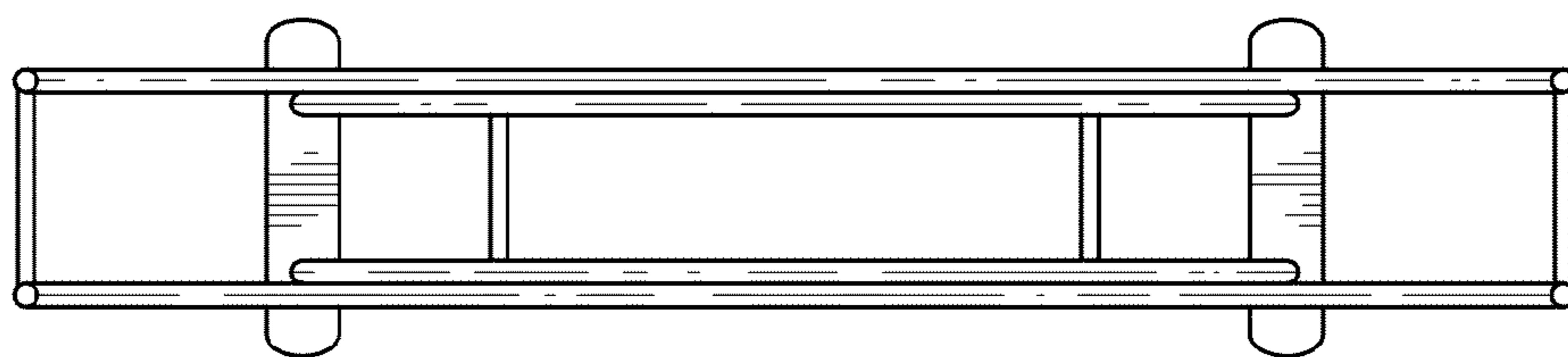


FIG. 2

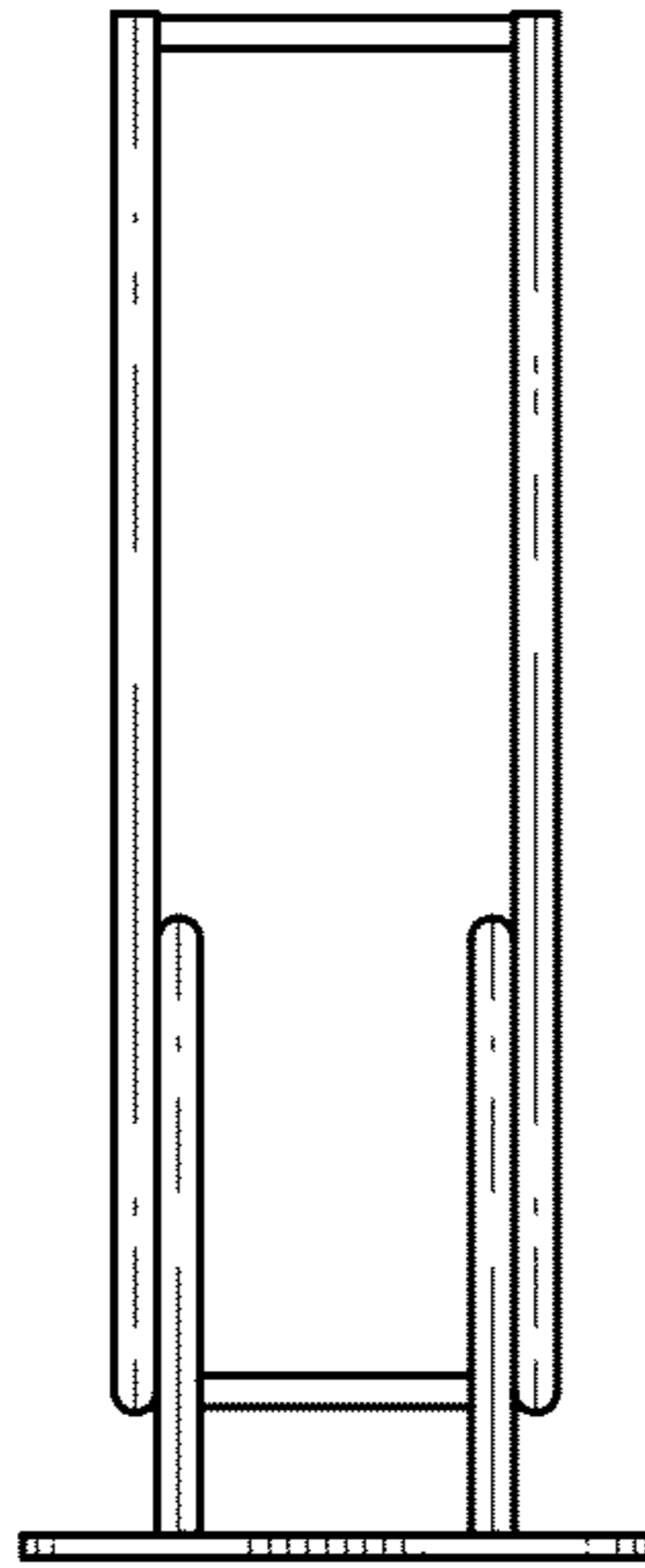


FIG. 3

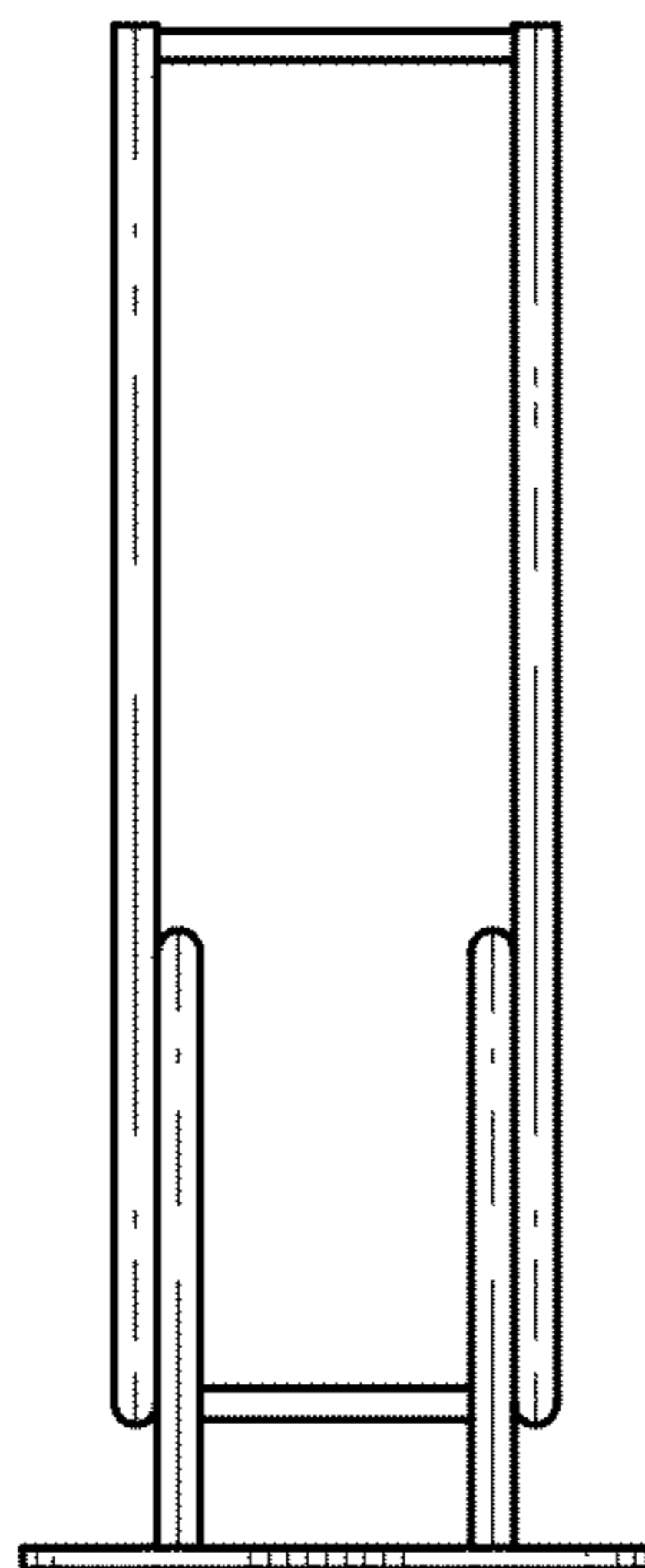


FIG. 4

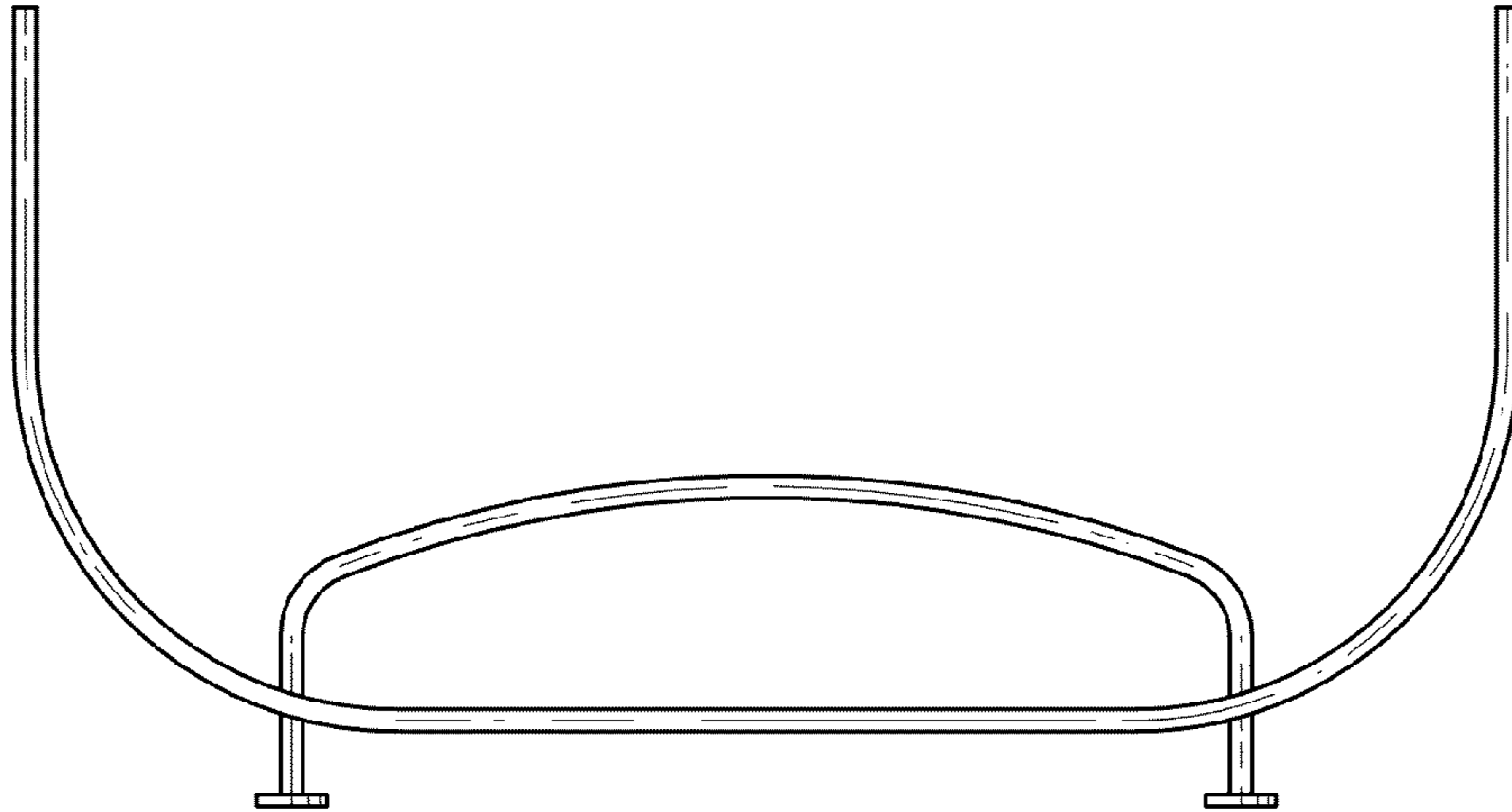


FIG. 5

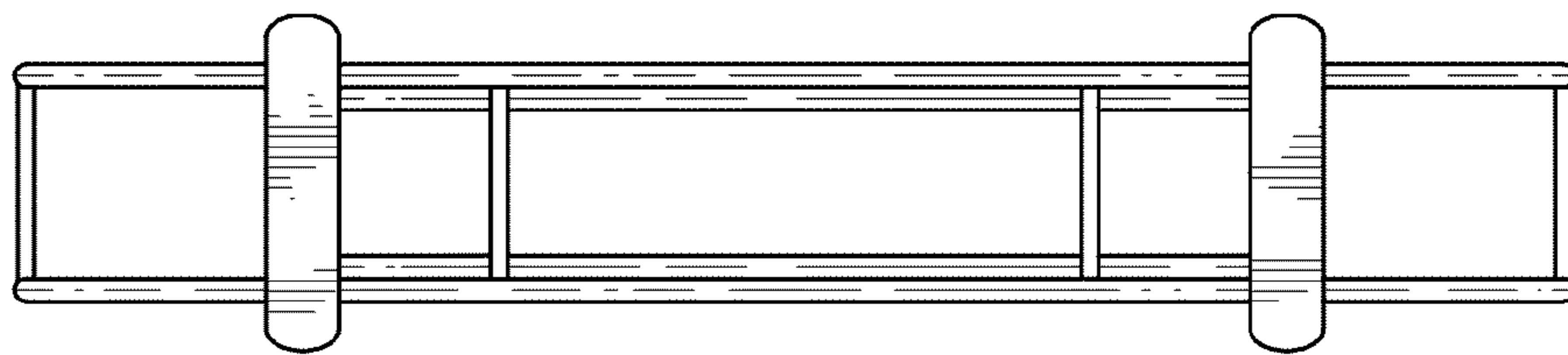


FIG. 6

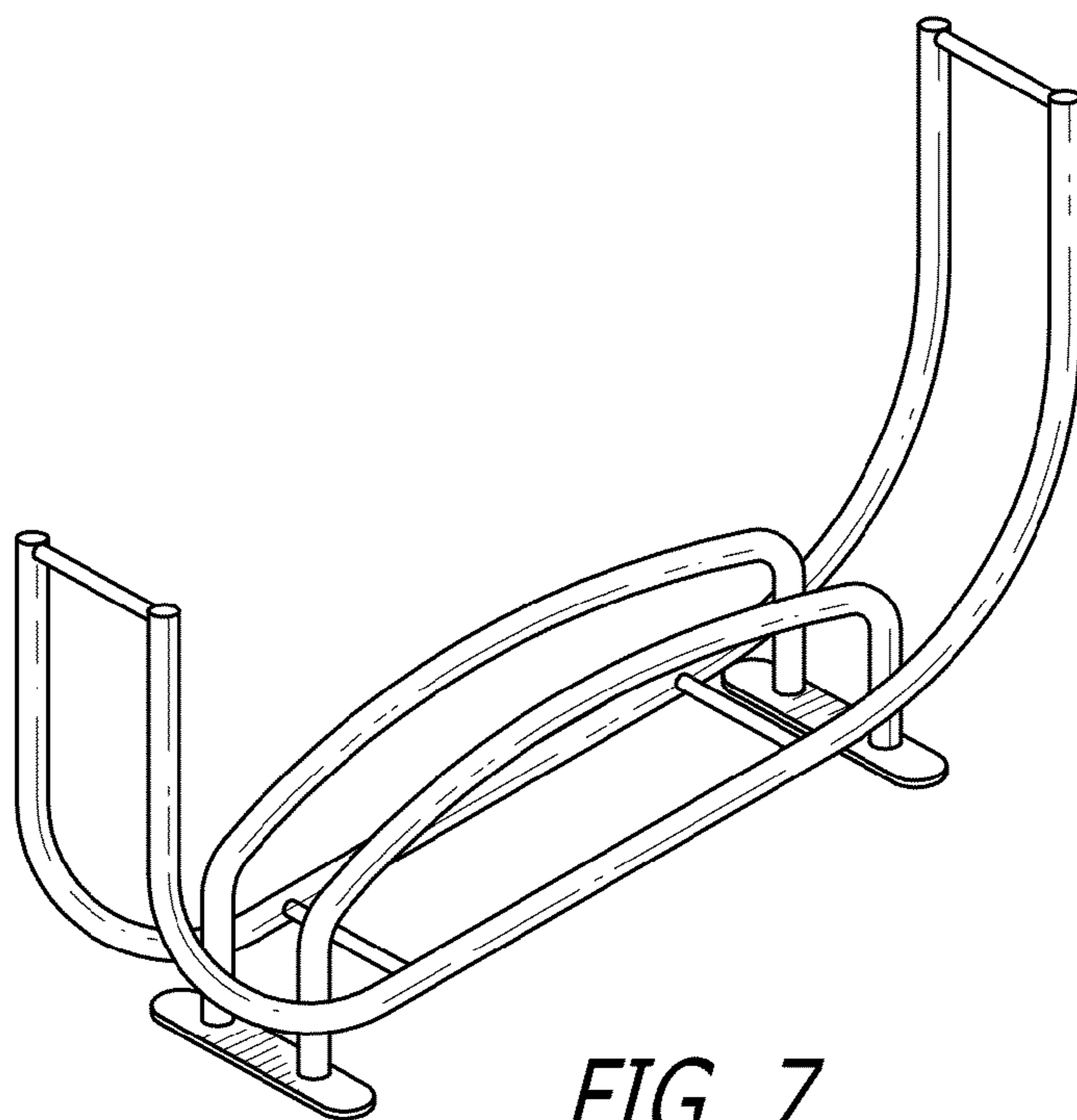


FIG. 7

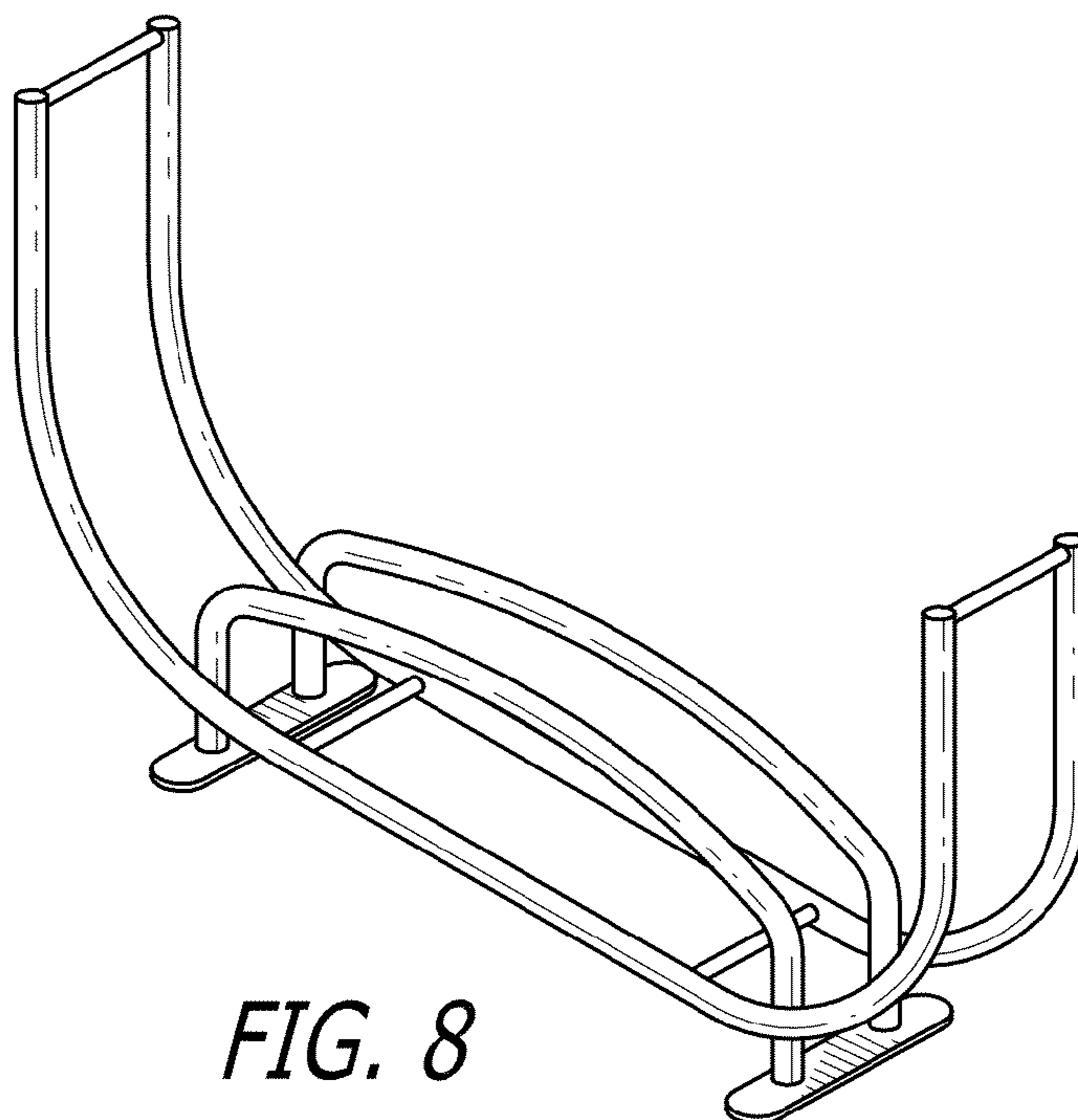


FIG. 8