



US00D713520S

(12) **United States Design Patent**  
**Alexander**

(10) **Patent No.:** **US D713,520 S**

(45) **Date of Patent:** **\*\* Sep. 16, 2014**

(54) **FIREWOOD RACK**

(71) Applicant: **Jeff Alexander**, Parsons, KS (US)

(72) Inventor: **Jeff Alexander**, Parsons, KS (US)

(\*\*) Term: **14 Years**

(21) Appl. No.: **29/463,200**

(22) Filed: **Sep. 3, 2013**

(51) **LOC (10) Cl.** ..... **23-03**

(52) **U.S. Cl.**

USPC ..... **D23/410**

(58) **Field of Classification Search**

USPC ..... D23/405, 407, 409, 410, 415-422, 499,  
D23/403; D7/403, 404, 407; D13/100;  
44/530, 550; 126/39 E, 144, 148, 242,  
126/243, 258, 500, 540

See application file for complete search history.

(56) **References Cited**

**U.S. PATENT DOCUMENTS**

126,273	A *	4/1872	Dee et al.	126/298
1,588,954	A *	6/1926	Emmet	126/298
D96,454	S *	8/1935	Evans	D7/404
2,447,295	A *	8/1948	Waggoner	126/298
D243,504	S *	3/1977	Morrison	D23/410
4,029,078	A *	6/1977	Eller	126/298

4,131,108	A *	12/1978	Bauder	126/298
D289,080	S *	3/1987	Einsel	D23/410
4,971,207	A *	11/1990	Baucom	211/49.1
5,280,933	A *	1/1994	Finneyfrock	280/47.34
D349,955	S *	8/1994	Lin	D23/403
D357,827	S *	5/1995	Schultz	D6/462
5,743,413	A *	4/1998	Noll	211/60.1
D421,297	S *	2/2000	Mele	D23/410
6,290,073	B1 *	9/2001	Barnes et al.	211/60.1
6,997,332	B1 *	2/2006	Alexander et al.	211/60.1
D642,671	S *	8/2011	Alexander	D23/410

\* cited by examiner

*Primary Examiner* — Karen S Acker

(57) **CLAIM**

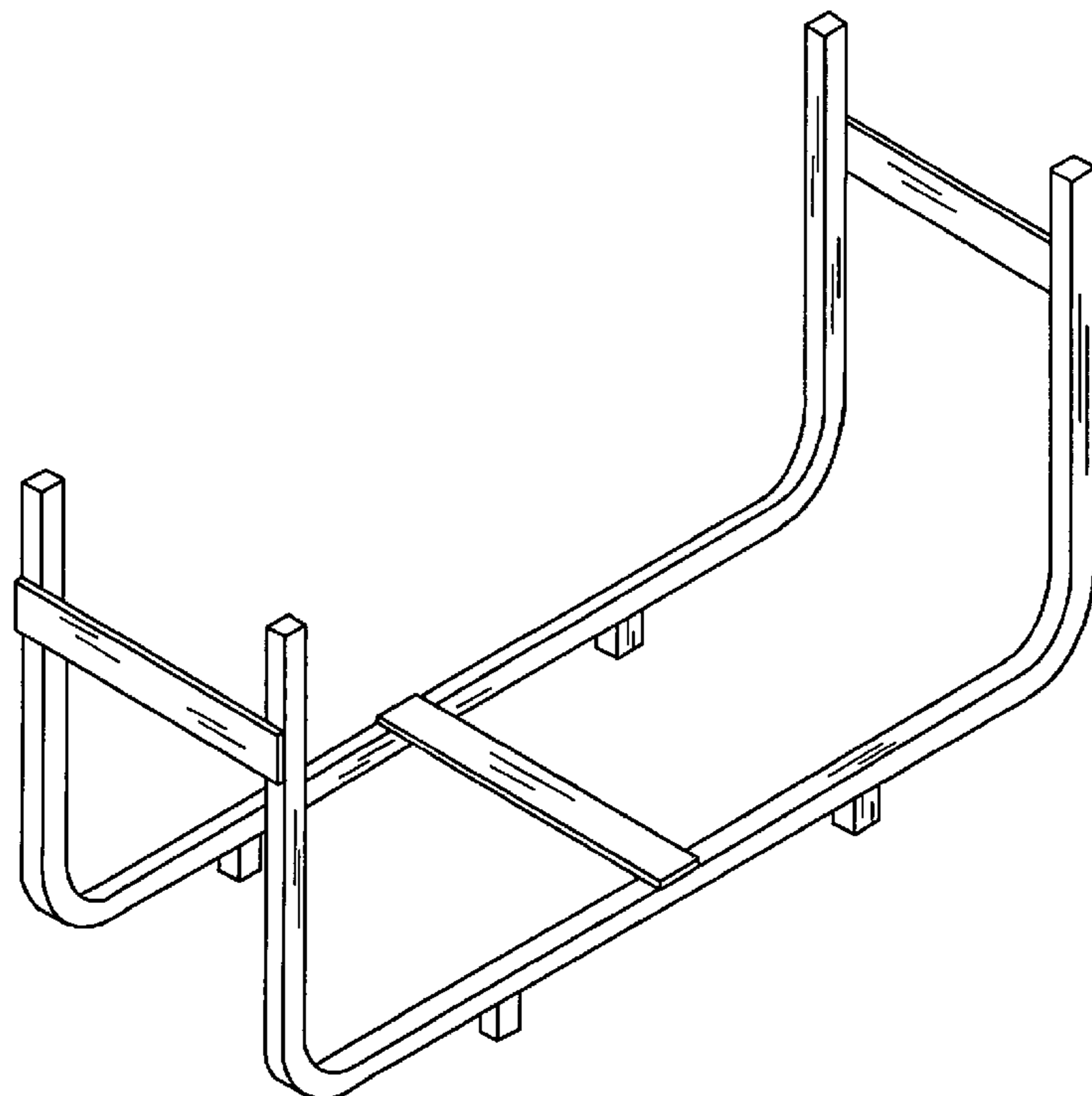
The ornamental design for a firewood rack, as shown and described.

**DESCRIPTION**

FIG. 1 is a top plan view of a firewood rack;  
FIG. 2 is a front elevational view thereof. The rear side elevational view is a mirror image of this view;  
FIG. 3 is a bottom plan view thereof;  
FIG. 4 is a right side elevational view thereof. The left side elevational view is a mirror image of this view; and,  
FIG. 5 is a perspective view thereof.

The firewood rack allows users to put 2 fire wood racks together in many different configurations with a connector (Not Shown).

**1 Claim, 2 Drawing Sheets**



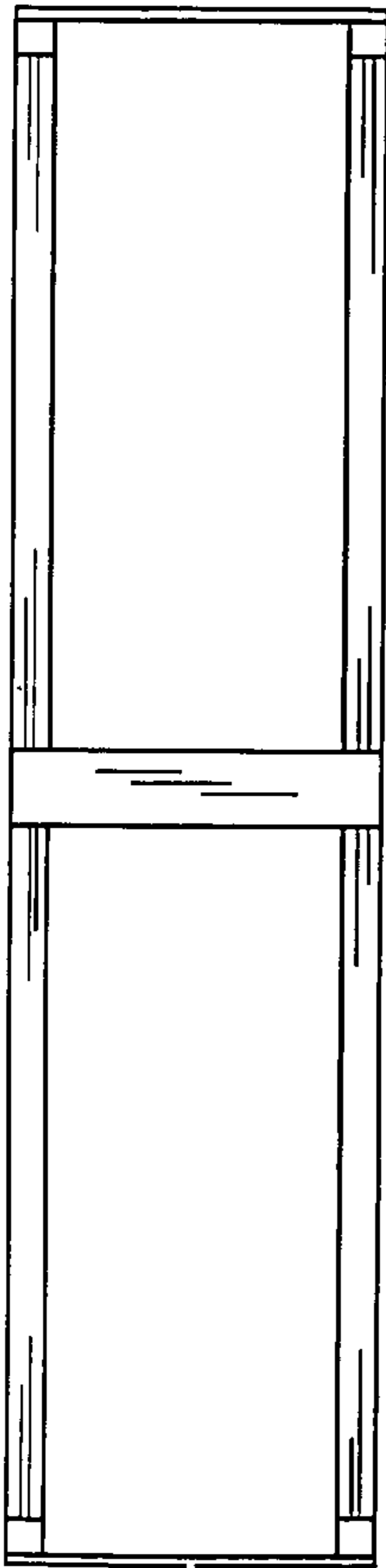


FIG. 1

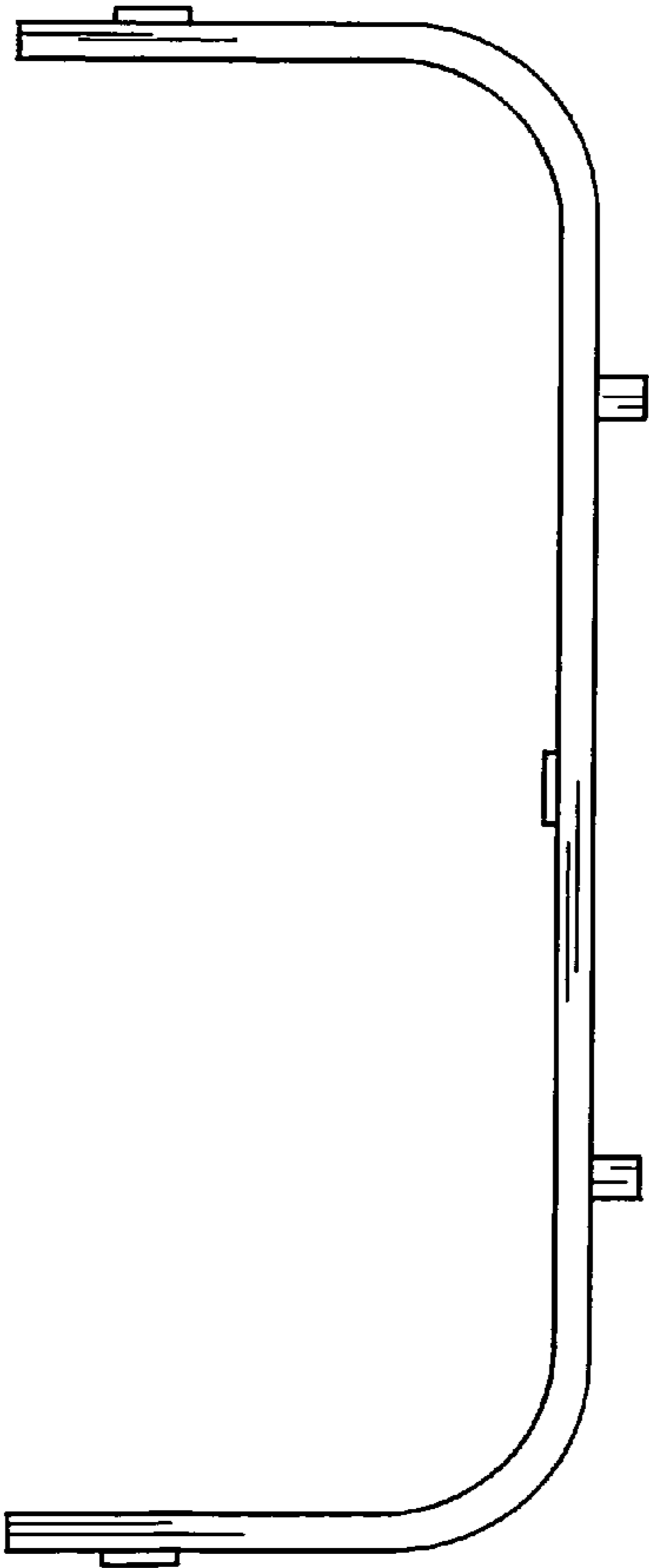


FIG. 2

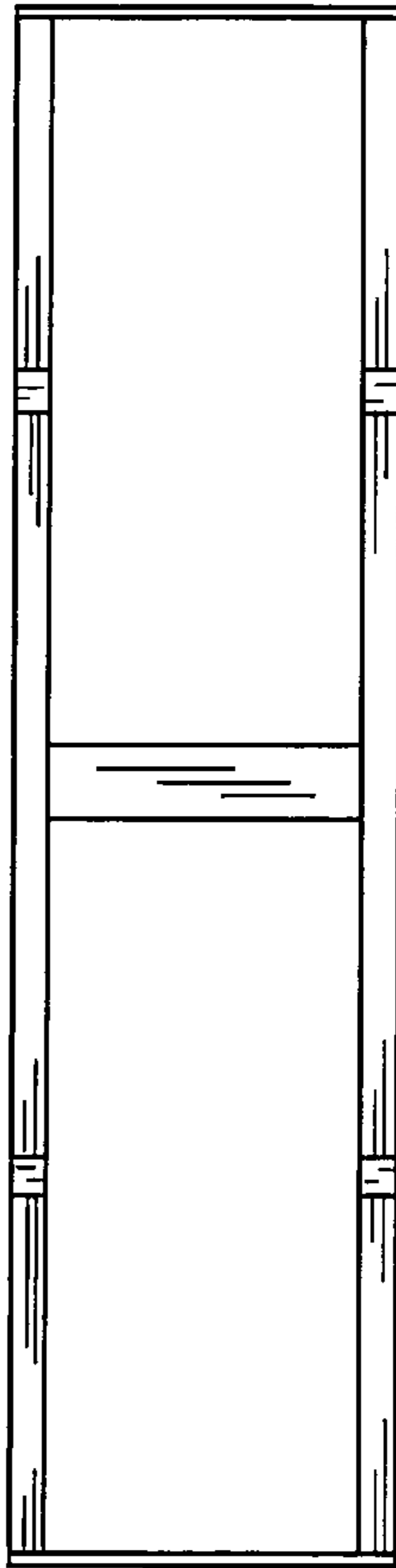


FIG. 3

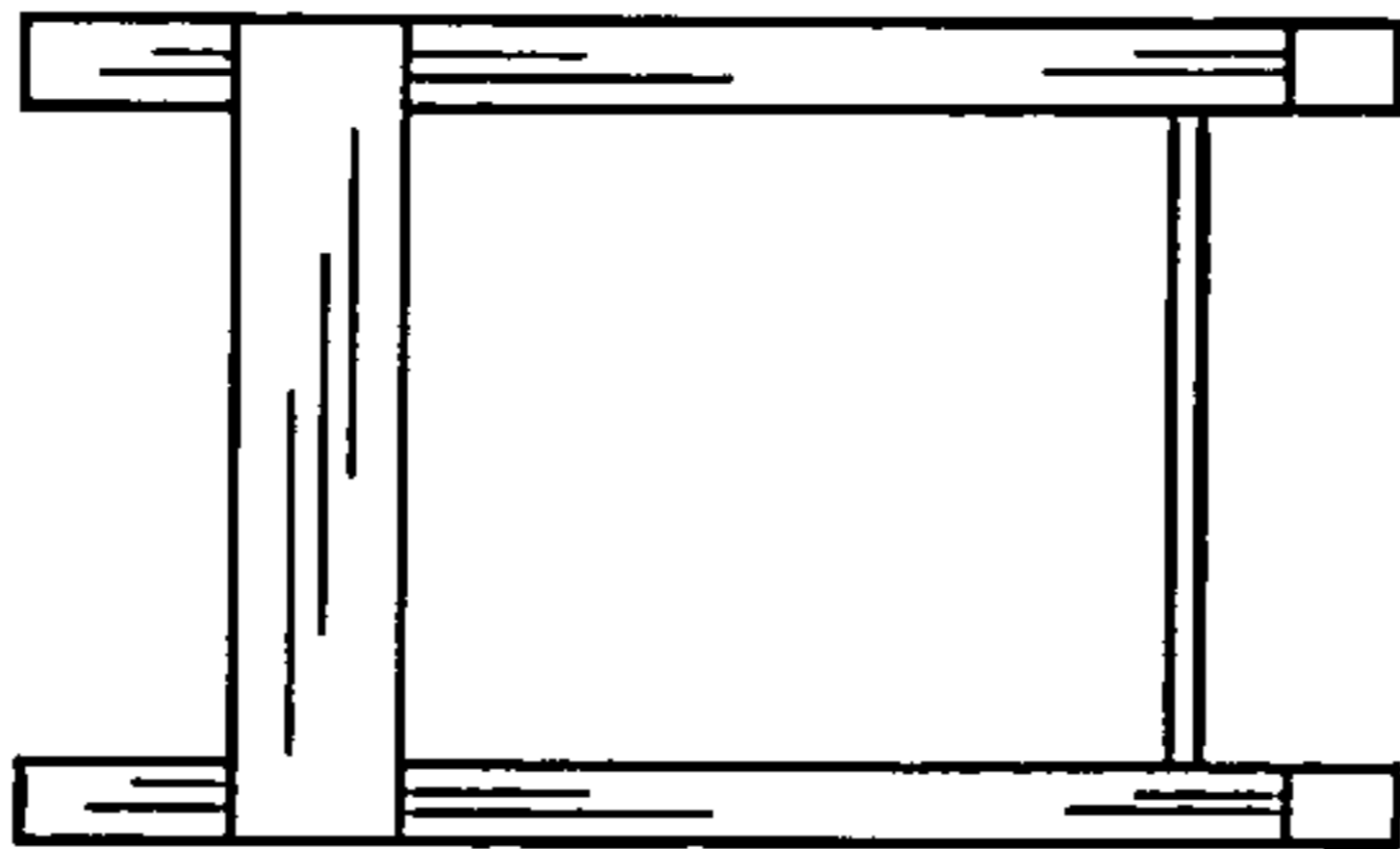


FIG. 4

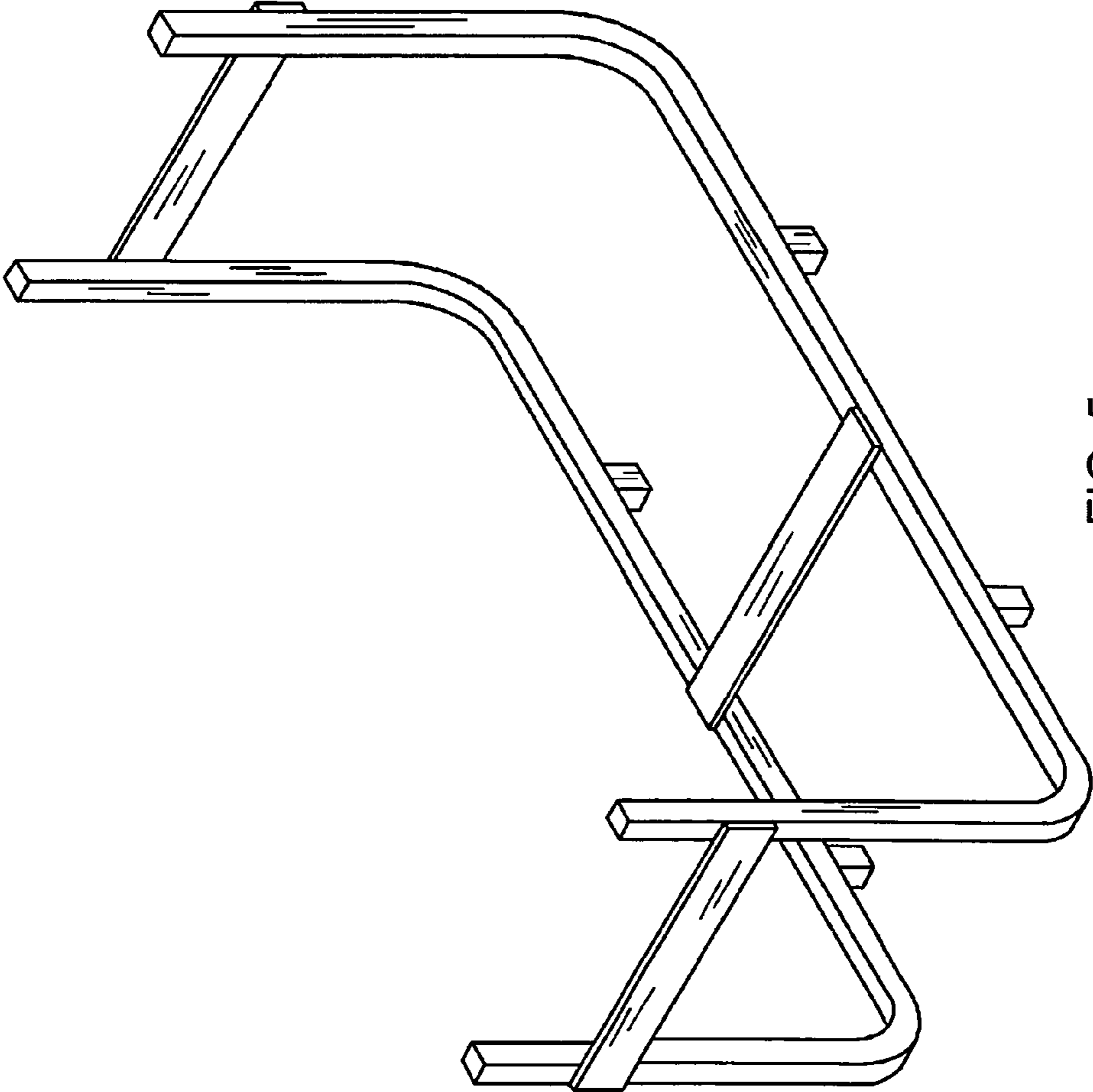


FIG. 5