



US00D713519S

(12) **United States Design Patent**
Sanchez

(10) **Patent No.:** **US D713,519 S**
(45) **Date of Patent:** **** Sep. 16, 2014**

(54) **VENT GUARD**

(76) Inventor: **Irving Sanchez**, Aloha, OR (US)

(**) Term: **14 Years**

(21) Appl. No.: **29/430,811**

(22) Filed: **Aug. 30, 2012**

(51) **LOC (10) Cl.** **23-04**

(52) **U.S. Cl.**
USPC **D23/393**

(58) **Field of Classification Search**

USPC D23/385-395, 397, 370-373, 365, 354,
D23/399-403, 421, 499, 261; 454/309,
454/275-277, 284, 287-291, 358-363;
52/302.1, 32.07; 285/229, 189, 183,
285/123.1, 15, 114, 110, 424, 197;
D25/138, 156, 152, 153, 157, 164, 35,
D25/38.1, 42; 210/163; 404/2, 4; 126/152 R;
4/507

See application file for complete search history.

(56) **References Cited**

U.S. PATENT DOCUMENTS

2,687,081 A * 8/1954 Tucker 249/125
3,240,206 A * 3/1966 Schutt 126/512
3,756,218 A * 9/1973 Simpson 126/540

D249,358 S * 9/1978 Mellow, Jr. D23/399
D252,041 S * 6/1979 Williams et al. D23/403
4,254,757 A * 3/1981 Emmendorfer 126/152 B
D265,167 S * 6/1982 Cordova D23/399
D543,638 S * 5/2007 Mertins D25/38.1
D598,142 S * 8/2009 Kircher D25/164
D616,059 S * 5/2010 Robnett et al. D22/119
D642,654 S * 8/2011 Paulin D25/38.1
D703,307 S * 4/2014 Little et al. D23/393
2005/0184281 A1 * 8/2005 Bryan 256/25

* cited by examiner

Primary Examiner — David Muller

(74) *Attorney, Agent, or Firm* — IP Works, PLLC

(57) **CLAIM**

The ornamental design for a vent guard, as shown and described.

DESCRIPTION

FIG. 1 is a top front perspective view of a vent guard according to my new design with a wall and vent shown in phantom lines to show placement;

FIG. 2 is a front elevation view thereof;

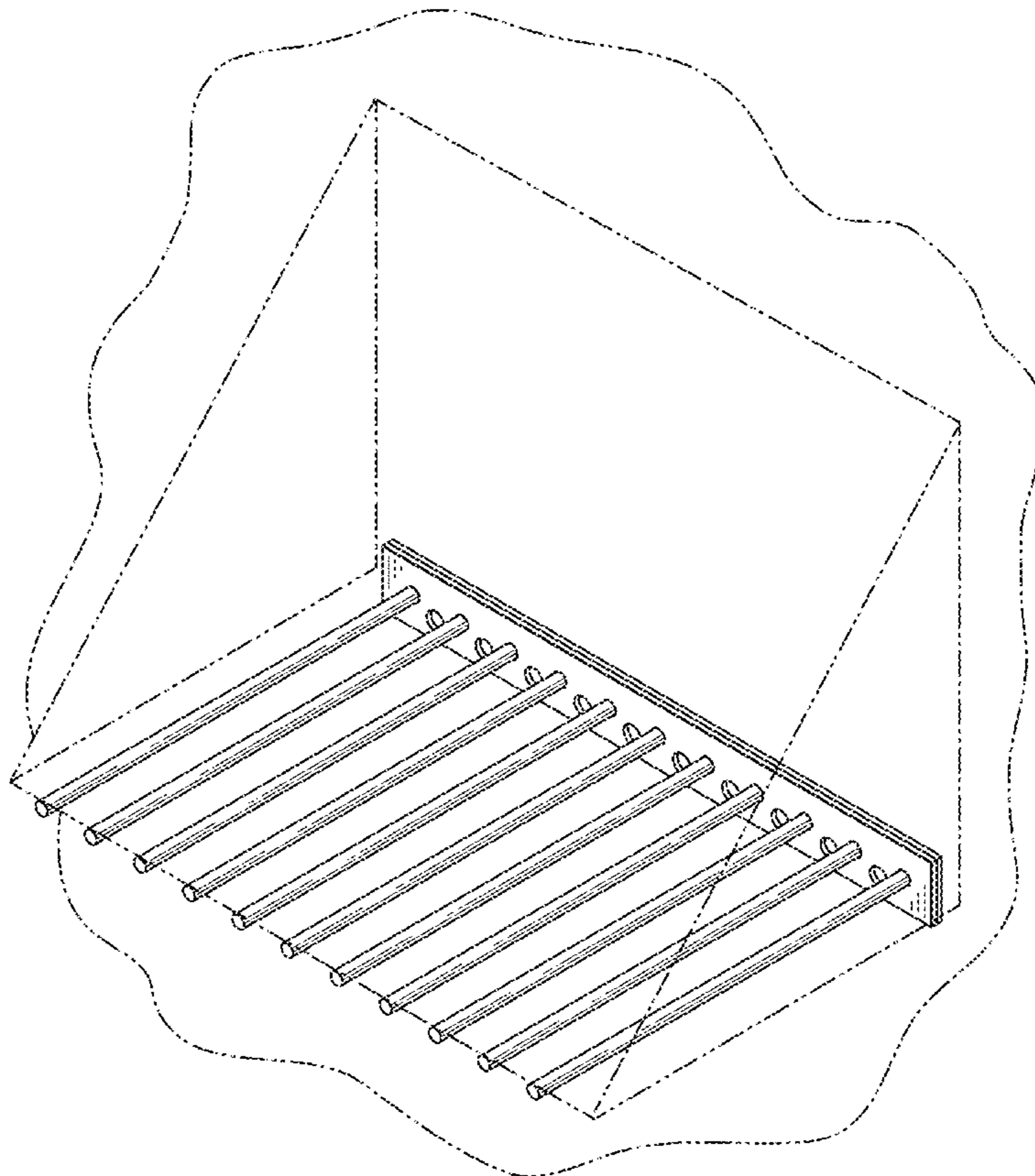
FIG. 3 is a right side elevation view thereof;

FIG. 4 is a rear elevation view thereof; and,

FIG. 5 is a top plan view thereof.

The matter shown in phantom lines illustrates environmental structure and forms no part of the claimed design.

1 Claim, 2 Drawing Sheets



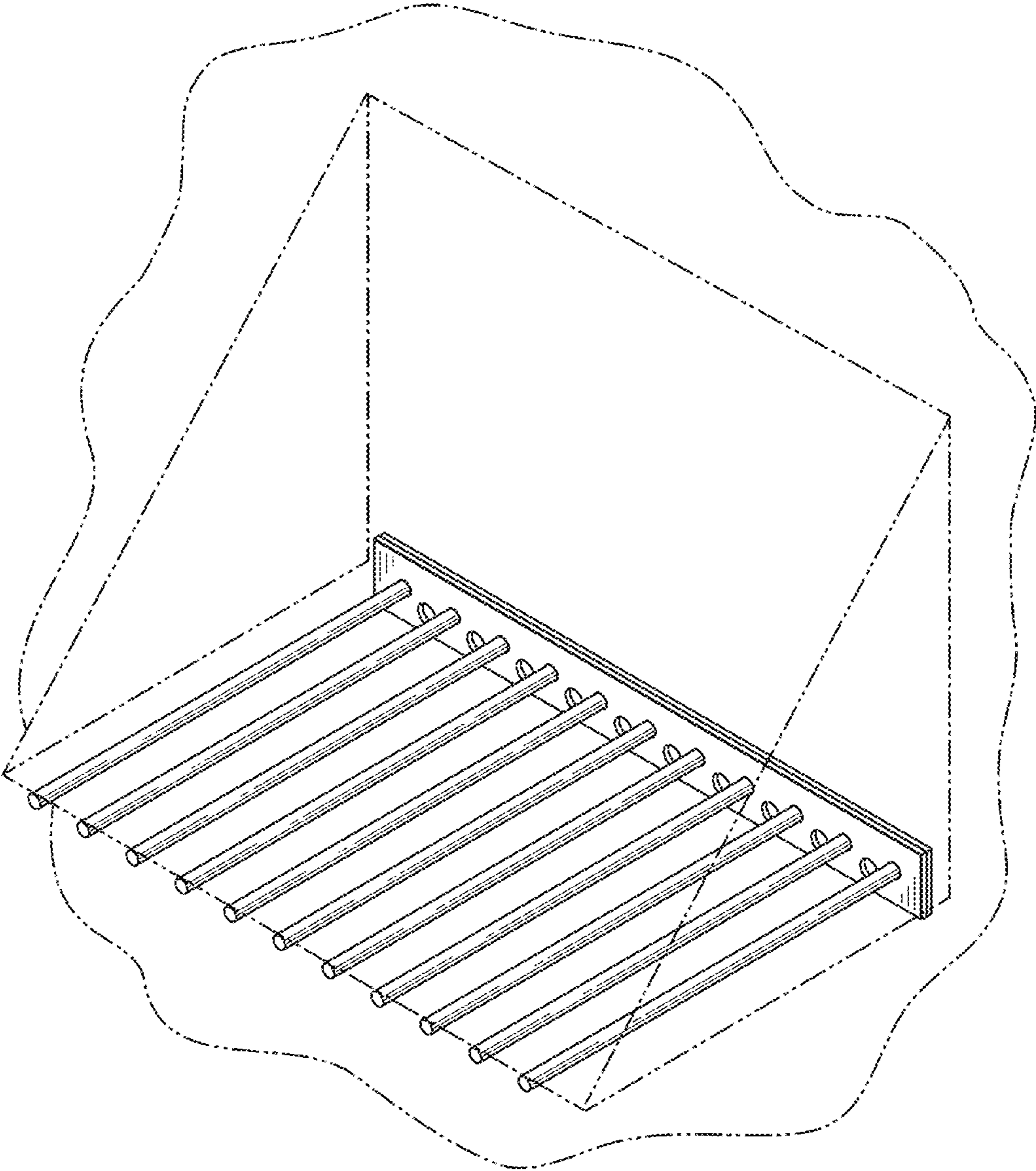


FIG. 1

FIG. 2

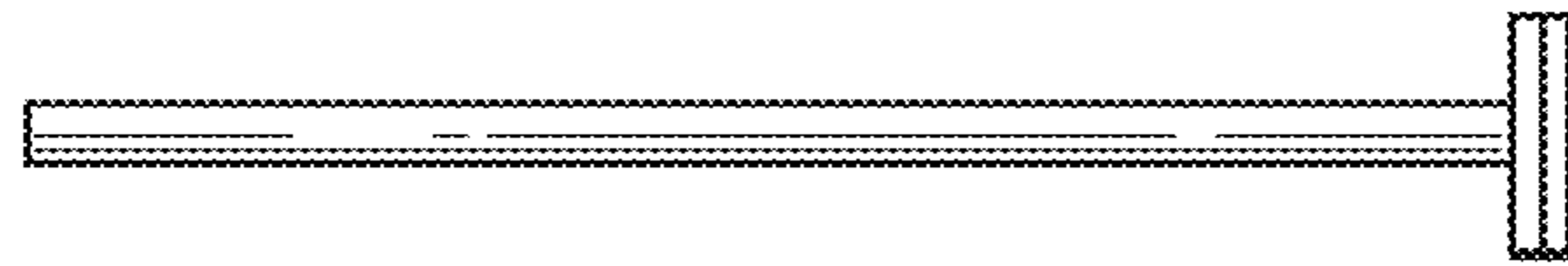
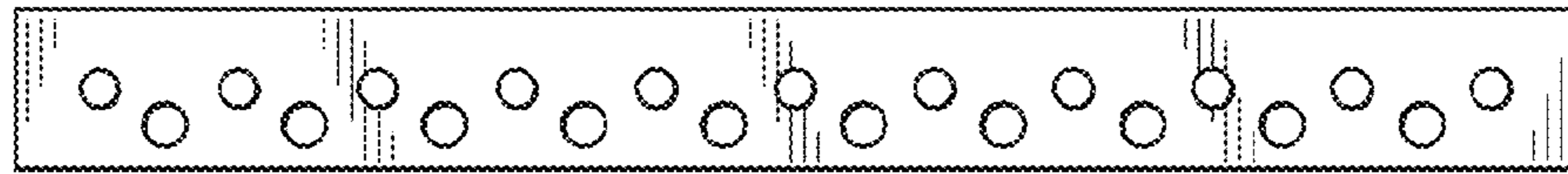


FIG. 3

FIG. 4

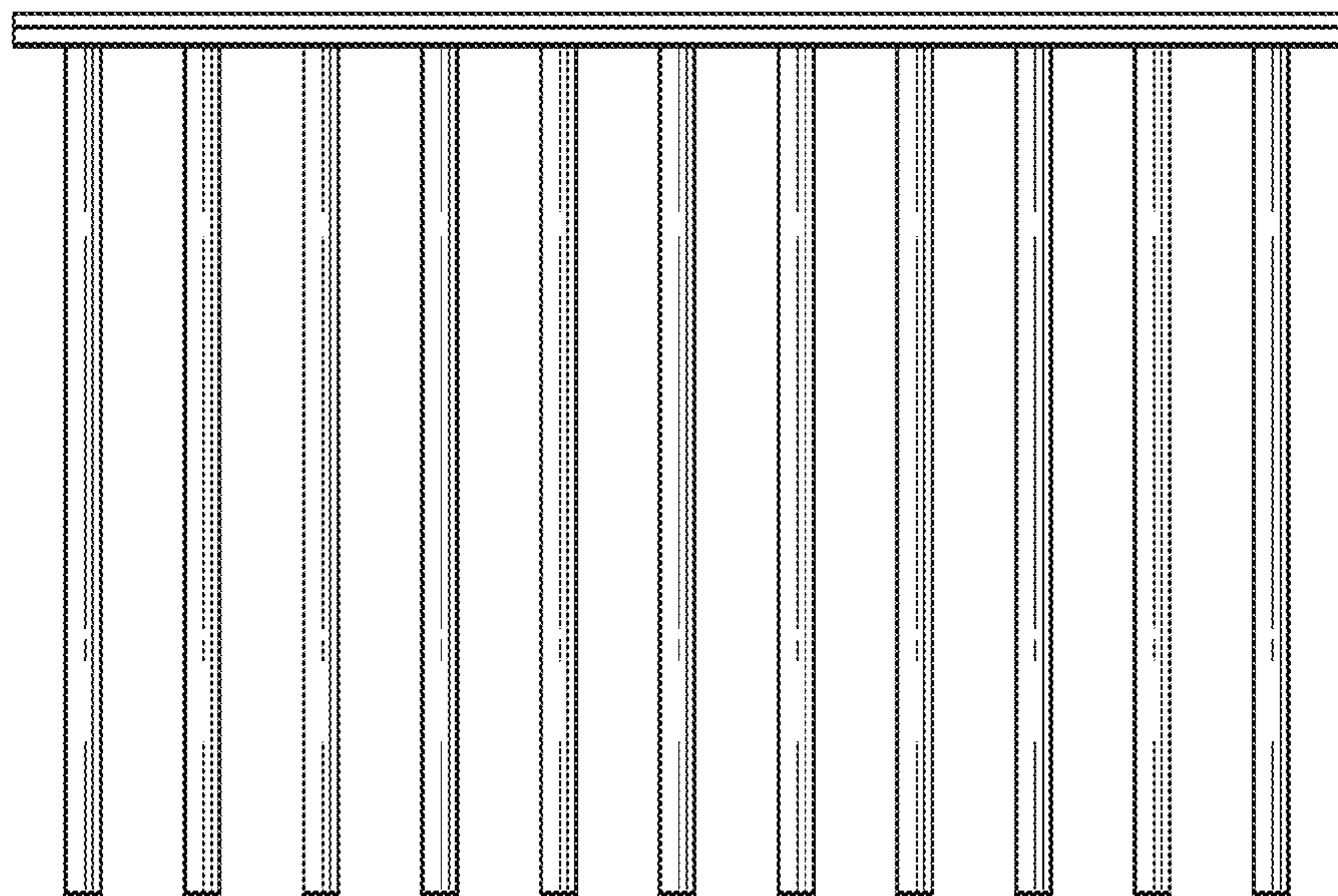


FIG. 5