



US00D713515S

(12) **United States Design Patent**  
**Eilmus et al.**

(10) **Patent No.:** **US D713,515 S**

(45) **Date of Patent:** **\*\* Sep. 16, 2014**

(54) **SINK**

(71) Applicant: **Kohler Co.**, Kohler, WI (US)

(72) Inventors: **Niels J. Eilmus**, Sheboygan, WI (US);  
**Ryan R. Detlaff**, Sheboygan, WI (US)

(73) Assignee: **Kohler Co.**, Kohler, WI (US)

(\*\*) Term: **14 Years**

(21) Appl. No.: **29/466,657**

(22) Filed: **Sep. 10, 2013**

(51) **LOC (10) Cl.** ..... **23-02**

(52) **U.S. Cl.**

USPC ..... **D23/308**

(58) **Field of Classification Search**

USPC ..... D23/284, 293.1, 292, 303, 308, 285,  
D23/249; 4/619, 637, 638, 650, 661, 252.4,  
4/684, 379, 692

See application file for complete search history.

(56) **References Cited**

**U.S. PATENT DOCUMENTS**

2,676,477	A	4/1954	Smith	
3,196,864	A	7/1965	Johnson	
4,242,763	A	1/1981	Walker	
4,336,620	A	6/1982	Gresh	
4,655,169	A	4/1987	Pullola	
5,179,740	A	1/1993	Marsilio et al.	
D389,901	S	1/1998	Kohler, Jr. et al.	
5,715,547	A	2/1998	Becker et al.	
6,085,362	A *	7/2000	Huber	4/252.4
D442,679	S	5/2001	Roberts	
6,484,330	B2 *	11/2002	Gray et al.	4/684
6,554,944	B1	4/2003	Peters et al.	
D537,149	S *	2/2007	Douglass et al.	D23/284
D561,879	S *	2/2008	Gilbert et al.	D23/293.1
D588,246	S *	3/2009	Eilmus et al.	D23/293.1
D603,025	S	10/2009	Mahon	
D624,164	S *	9/2010	Kakahana et al.	D23/293.1
D635,231	S *	3/2011	Primmer	D23/308

7,954,183	B2	6/2011	Cawthon	
7,992,236	B2 *	8/2011	Degooyer	4/679
1,070,424	A1	8/2013	Denver	
2006/0096018	A1	5/2006	Ball	
2010/0251477	A1	10/2010	Bates	
2011/0277694	A1	11/2011	Euse	

\* cited by examiner

*Primary Examiner* — Robert Delehanty

(74) *Attorney, Agent, or Firm* — Foley & Lardner LLP

(57) **CLAIM**

We claim the ornamental design for a sink, as shown and described.

**DESCRIPTION**

FIG. 1 is a perspective view of an embodiment of the claimed design;

FIG. 2 is a top plan view thereof;

FIG. 3 is a bottom plan view thereof;

FIG. 4 is a front plan view thereof;

FIG. 5 is a rear plan view thereof;

FIG. 6 is a left plan view thereof;

FIG. 7 is a right plan view thereof;

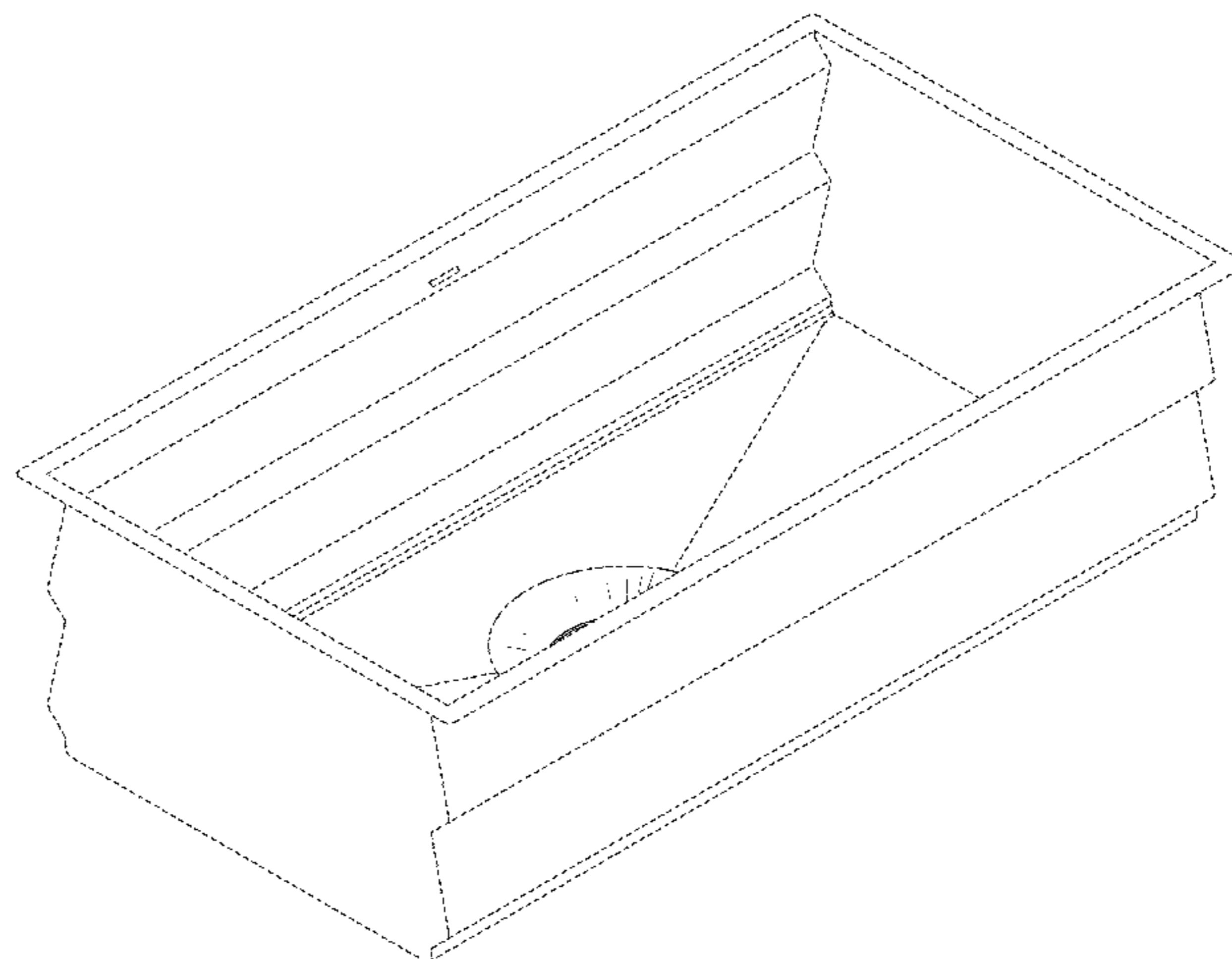
FIG. 8 is a cross-sectional view thereof, taken along line 8-8 in FIG. 2;

FIG. 8A is a detail view of a portion of the cross-sectional view of FIG. 8; and,

FIG. 9 is another cross-sectional view thereof, taken along line 9-9 in FIG. 2.

The ornamental design which is claimed is shown in solid lines in the drawings. The broken lines in the drawings are for purposes of illustrating unclaimed portions of the design. Broken lines formed by equal length dashes show unclaimed portions of the design. Broken lines formed of unequal length dashes (i.e., dash-dot) show boundaries between claimed and unclaimed portions of the design. Symbolic break lines having a jagged element show that no particular length of the portion is claimed, such lines and any portion of the article between such lines forming no part of the claimed design.

**1 Claim, 8 Drawing Sheets**



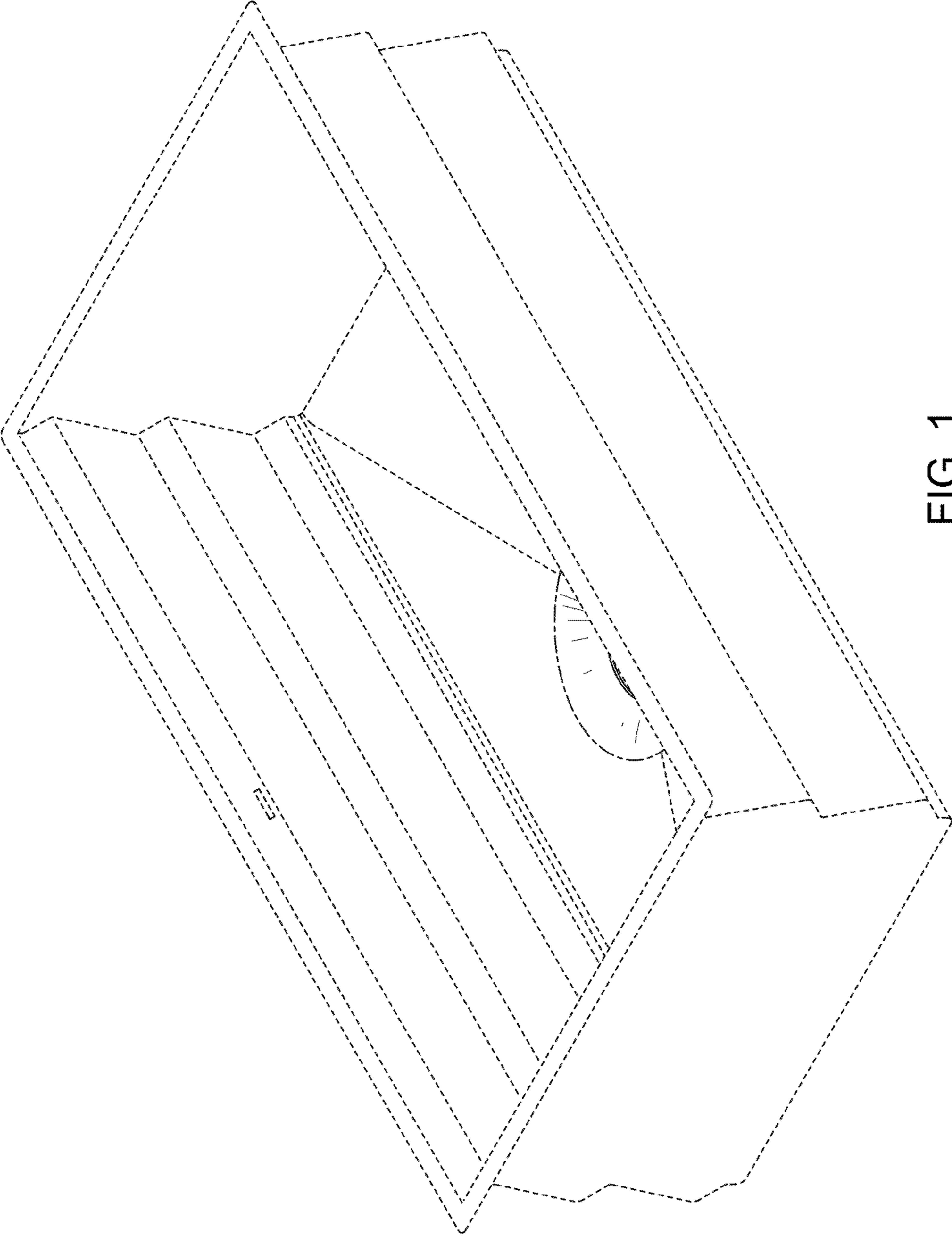


FIG. 1

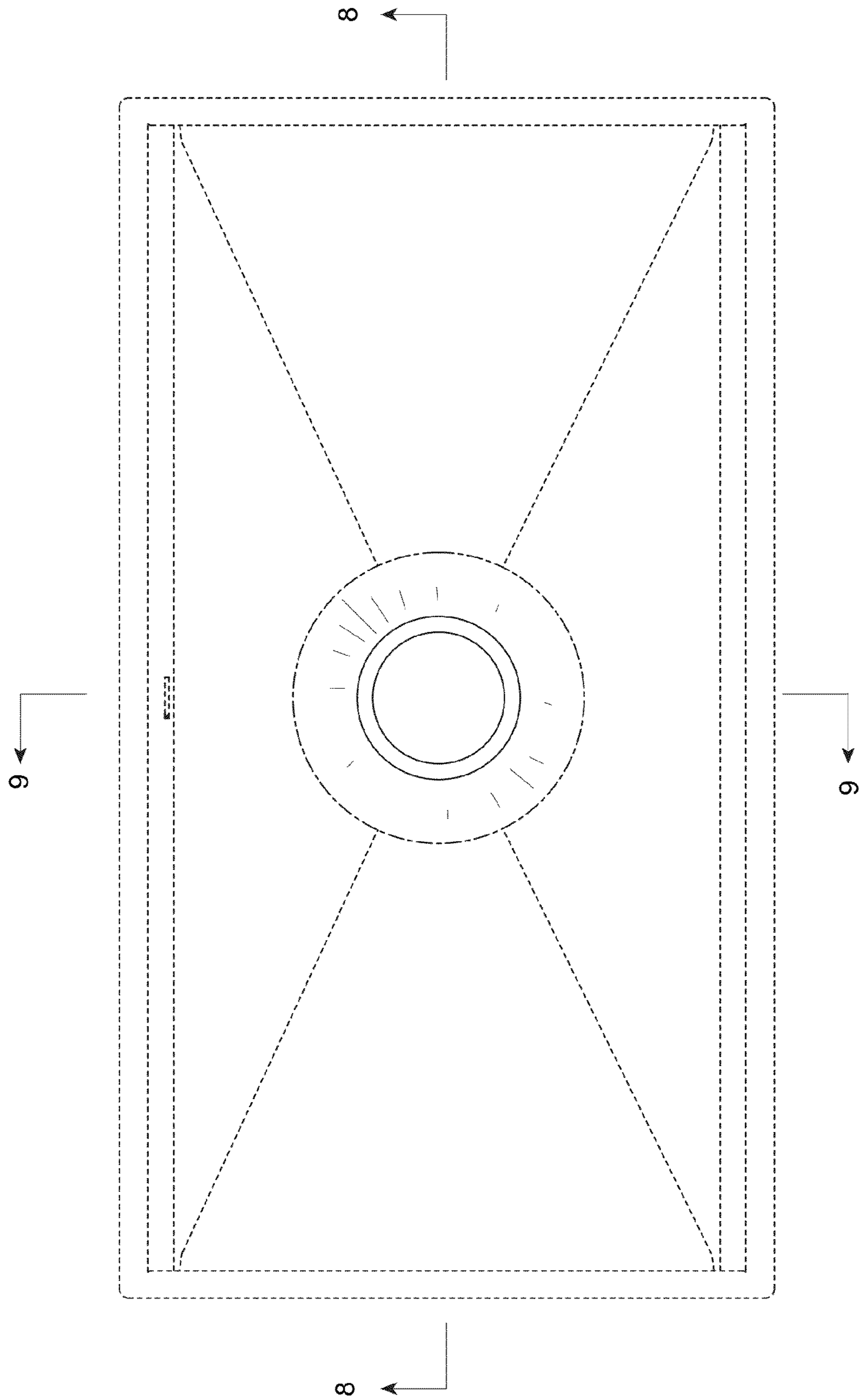


FIG. 2

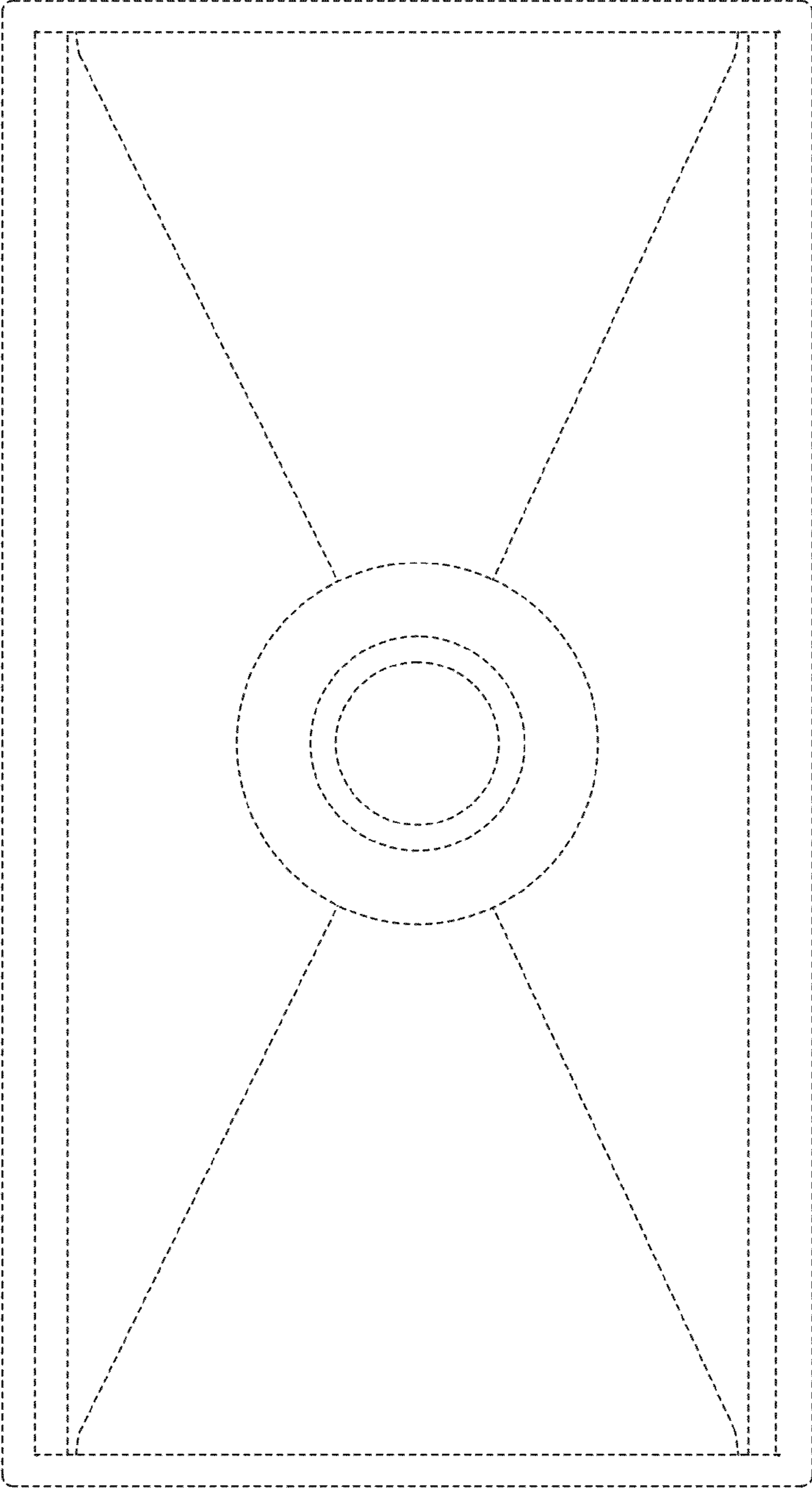


FIG. 3

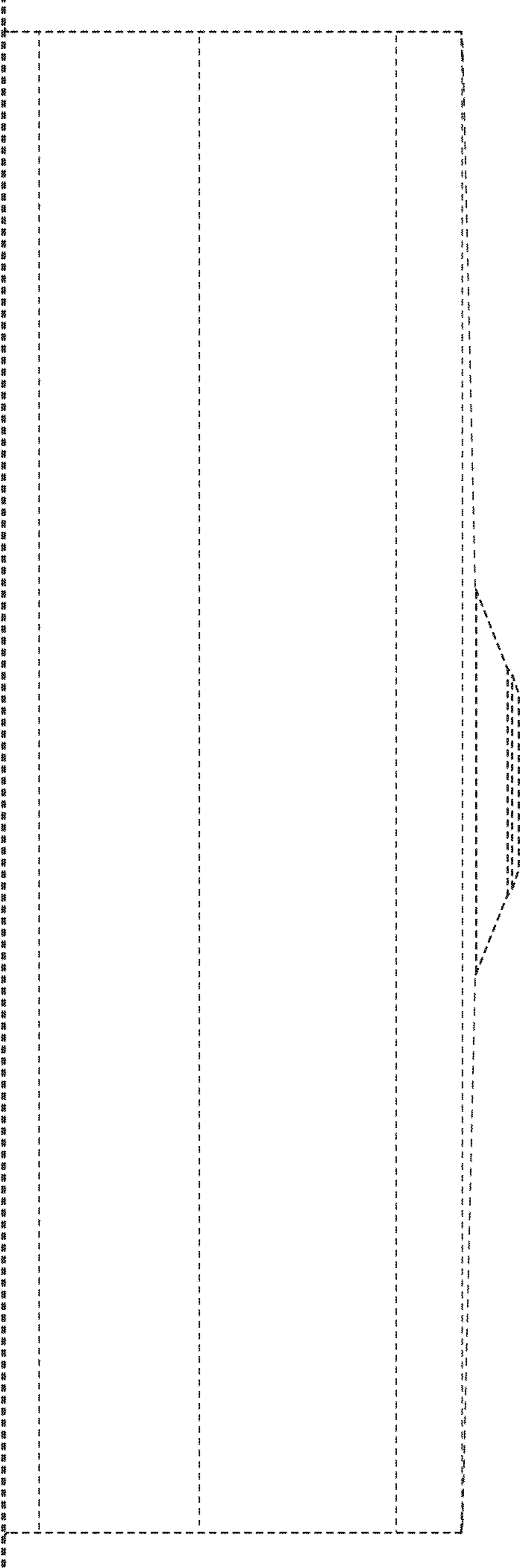


FIG. 4

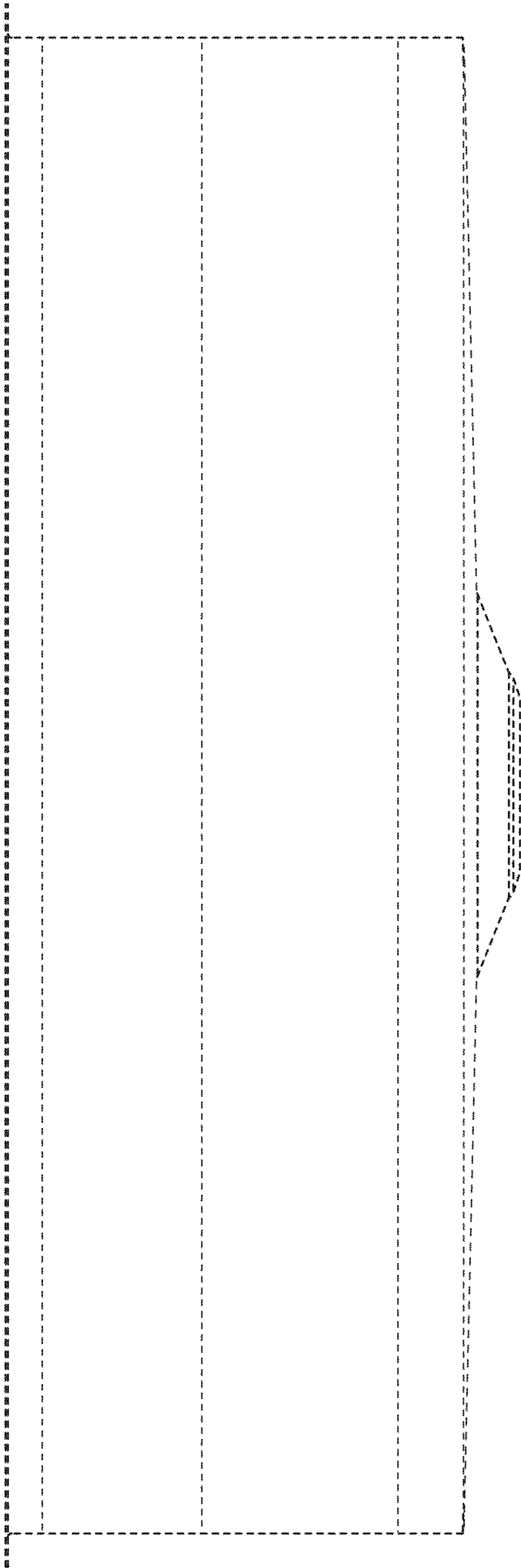


FIG. 5

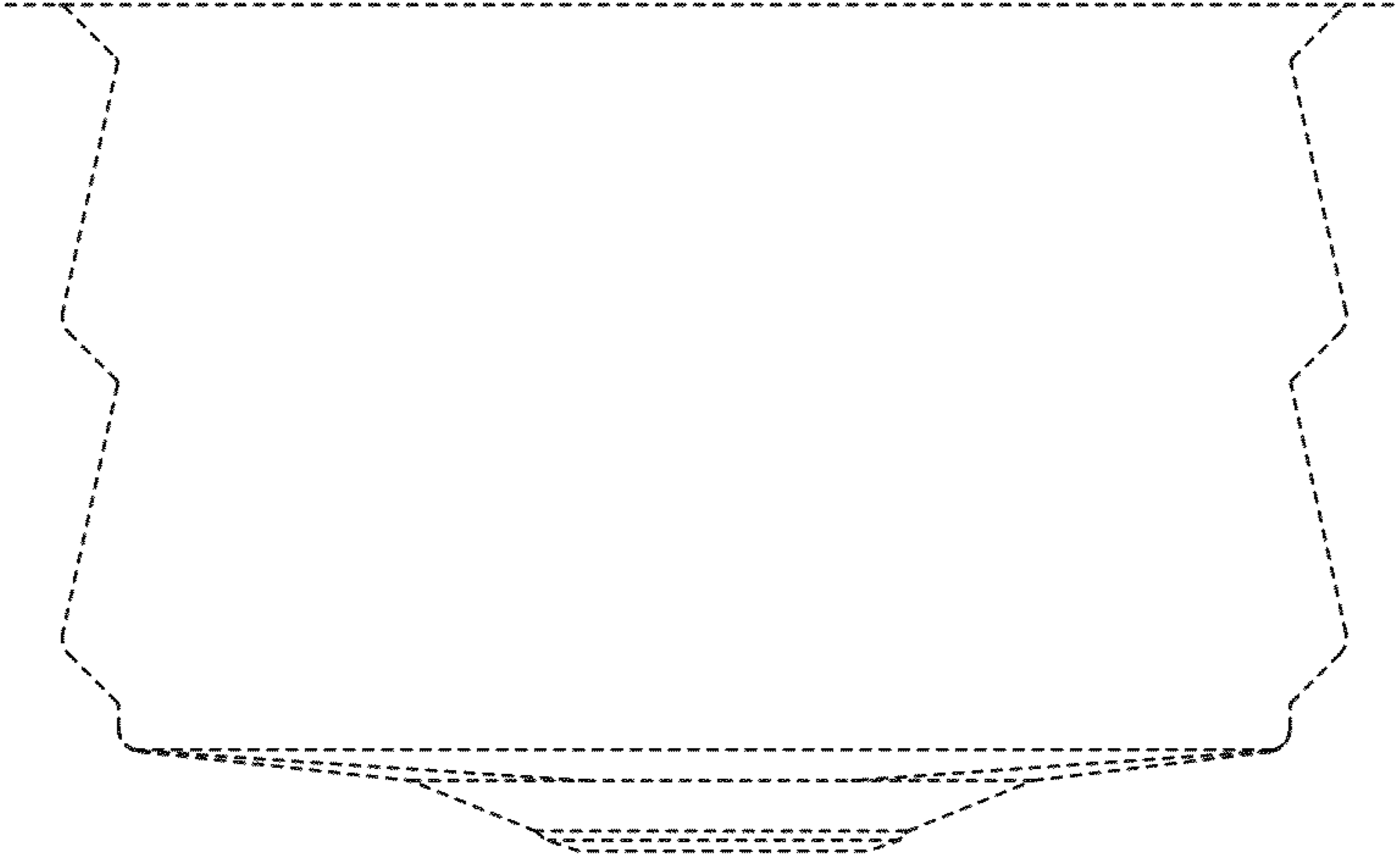


FIG. 6

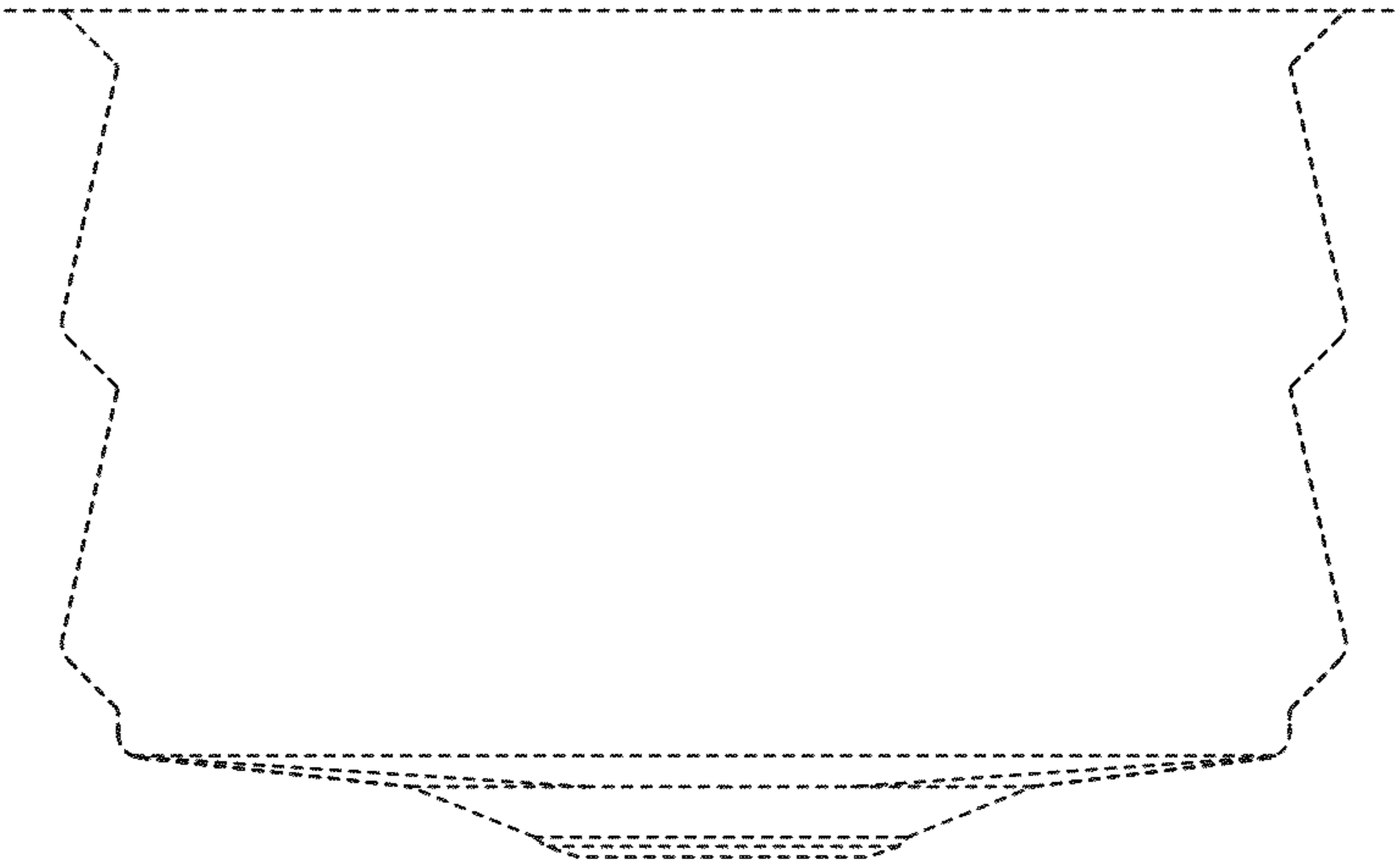


FIG. 7

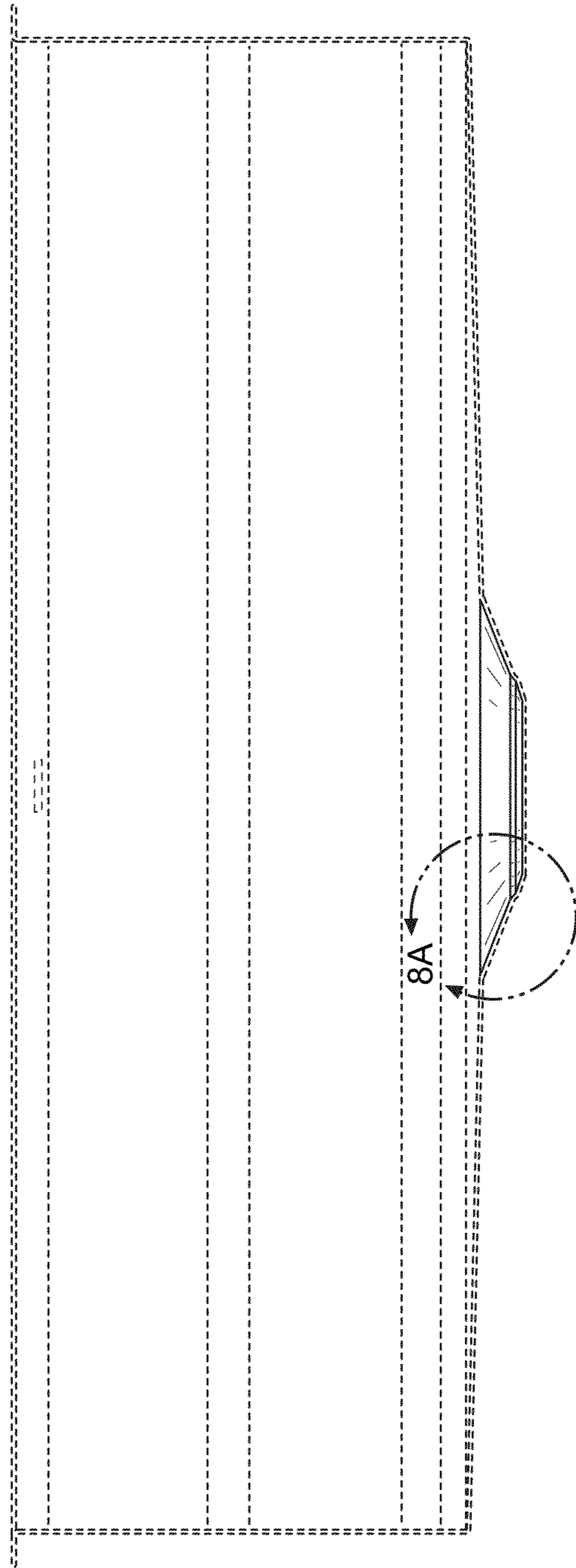


FIG. 8



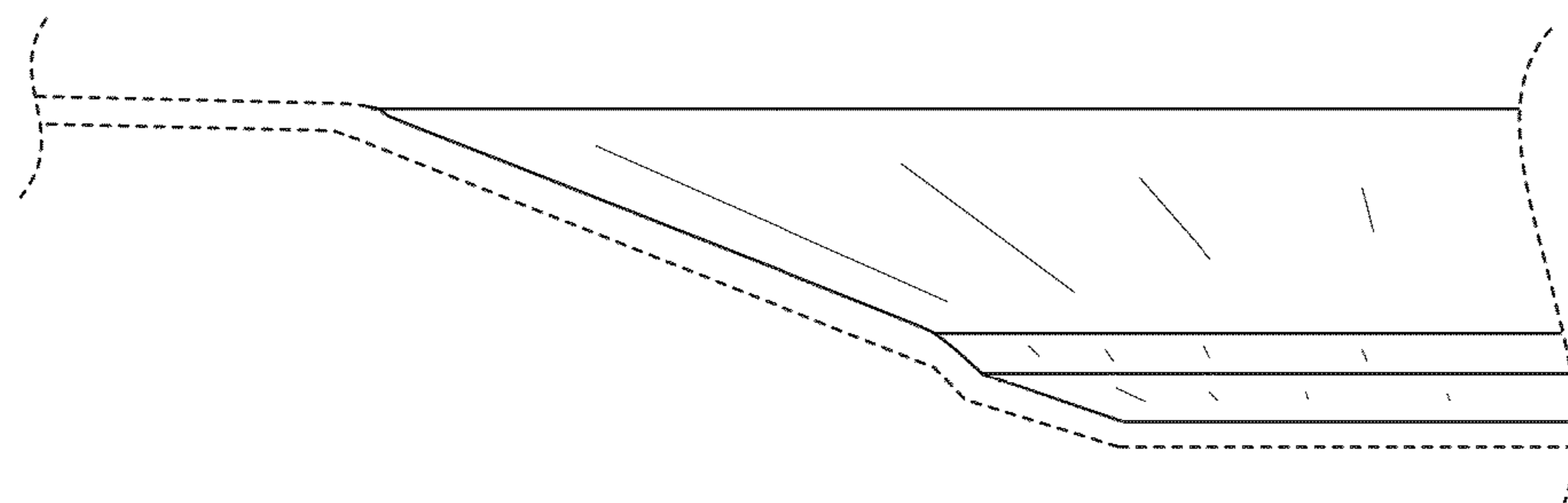


FIG. 8A

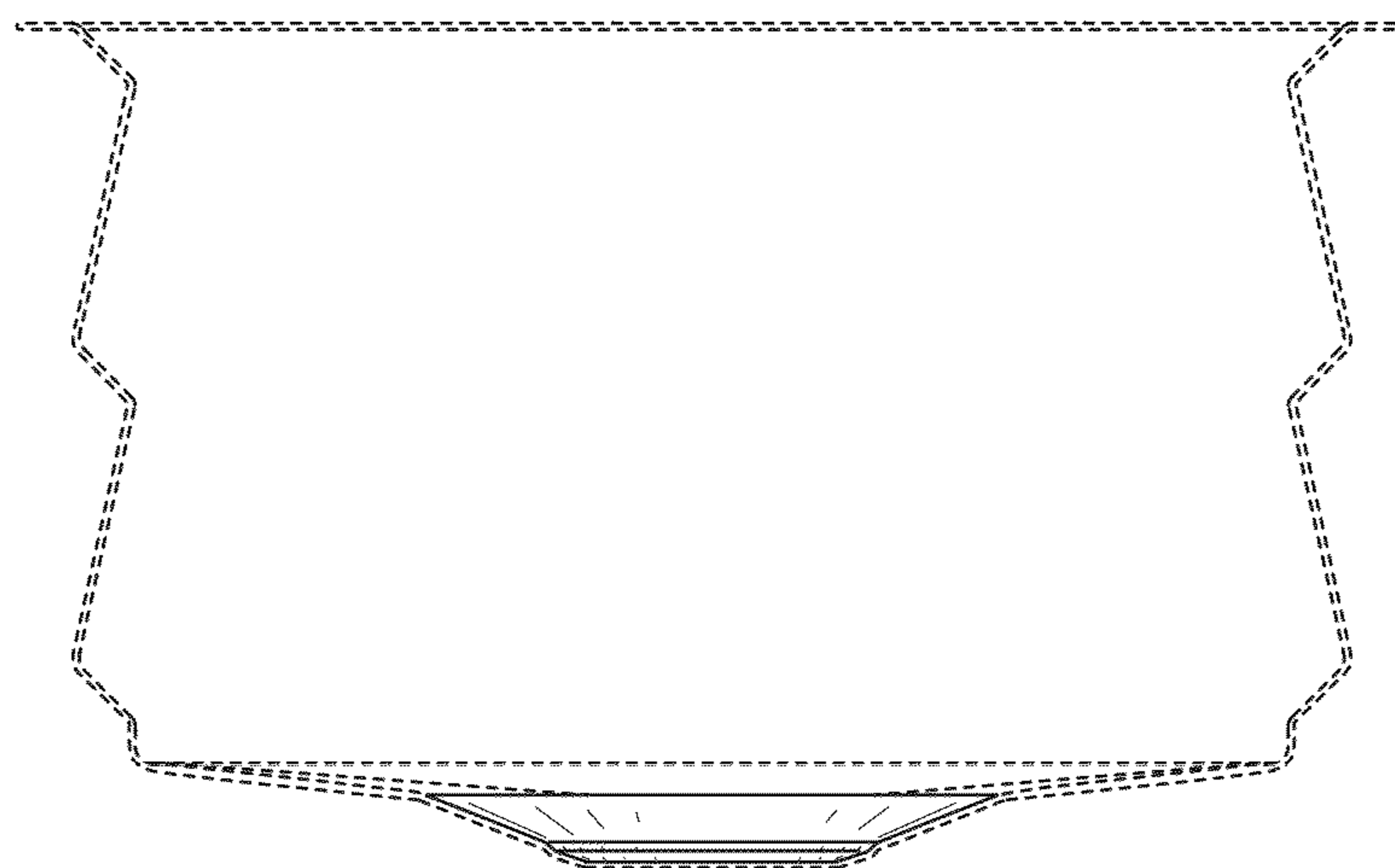


FIG. 9