



US00D713514S

(12) **United States Design Patent**  
**Chen et al.**

(10) **Patent No.:** **US D713,514 S**

(45) **Date of Patent:** **\*\* Sep. 16, 2014**

(54) **DROP IN SINK**

(71) Applicant: **Ronbow Corporation**, Fremont, CA  
(US)

(72) Inventors: **Jason Chen**, Palo Alto, CA (US);  
**Lawrence K. Tom**, Fremont, CA (US)

(73) Assignee: **Ronbow Corporation**, Fremont, CA  
(US)

(\*\*) Term: **14 Years**

(21) Appl. No.: **29/487,035**

(22) Filed: **Apr. 4, 2014**

(51) **LOC (10) Cl.** ..... **23-02**

(52) **U.S. Cl.**  
USPC ..... **D23/284**

(58) **Field of Classification Search**  
USPC ..... D23/284, 286, 287, 290, 291, 292,  
D23/293.1, 303, 308; 4/619, 630-631,  
4/637-640

See application file for complete search history.

(56) **References Cited**

**U.S. PATENT DOCUMENTS**

D412,204 S *	7/1999	Slothower et al. ....	D23/284
D500,843 S *	1/2005	Takou .....	D23/292
D545,416 S *	6/2007	Maruhashi et al. ....	D23/293.1
D545,417 S *	6/2007	Tani et al. ....	D23/293.1
D634,823 S *	3/2011	Grazioli et al. ....	D23/284

\* cited by examiner

*Primary Examiner* — Robert Delehanty

(74) *Attorney, Agent, or Firm* — Thomas Schneck

(57) **CLAIM**

We claim the design for a drop in sink, as shown and described.

**DESCRIPTION**

FIG. 1 is an upper perspective view for a drop in sink of our design;

FIG. 2 is a top view thereof;

FIG. 3 is an front elevational view thereof, the rear elevational view being a mirror image thereof;

FIG. 4 is a right side elevational view thereof, the left side elevational view being a mirror image thereof;

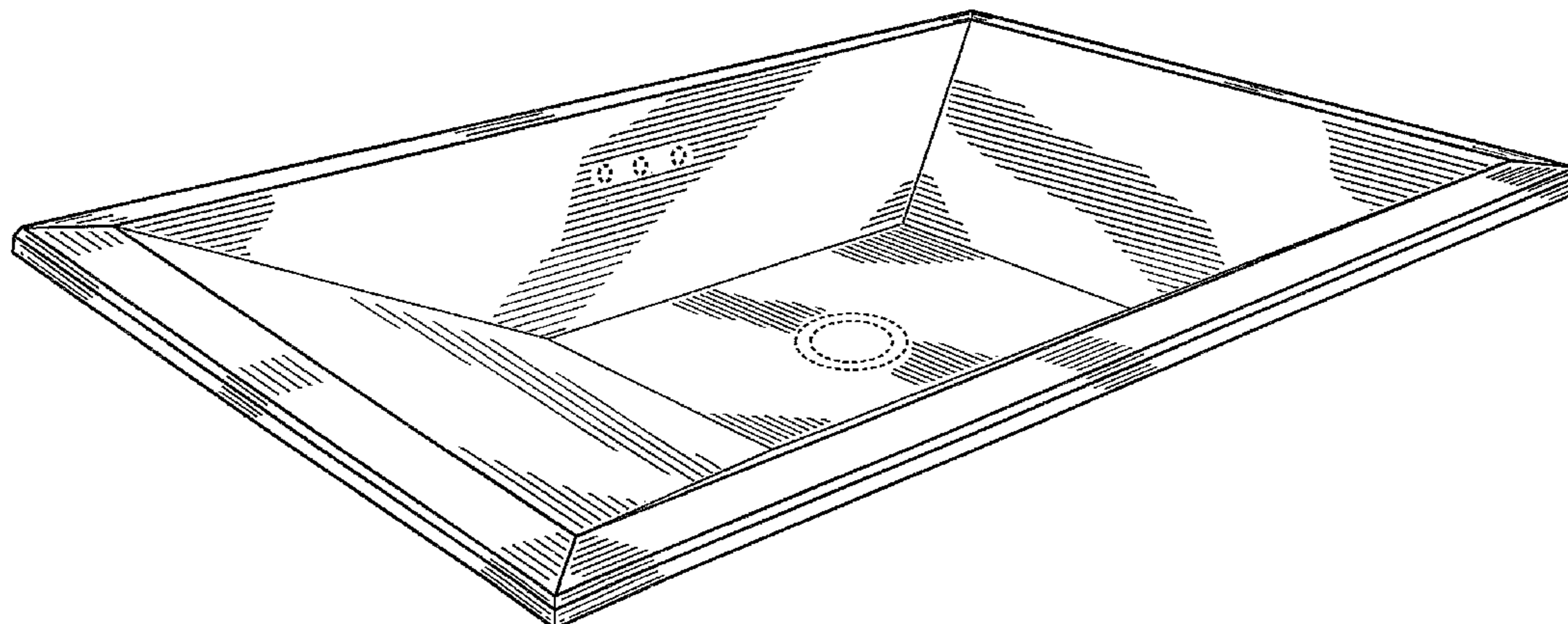
FIG. 5 is a sectional view of the interior thereof, taken along lines 5-5 of FIG. 2; and,

FIG. 6 is a sectional view of the interior thereof, taken along lines 6-6 of FIG. 2.

Broken lines in FIGS. 1 and 2 are unclaimed drain and overflow apertures of the sink of FIG. 1 and not part of the claimed design.

Broken lines in FIGS. 3-6 are unclaimed hidden drop in portions of the sink of FIG. 1 and not part of the claimed design, except for the upper central broken line of FIG. 5 that represent overflow apertures corresponding to the overflow aperture in broken lines in FIGS. 1 and 2.

**1 Claim, 3 Drawing Sheets**



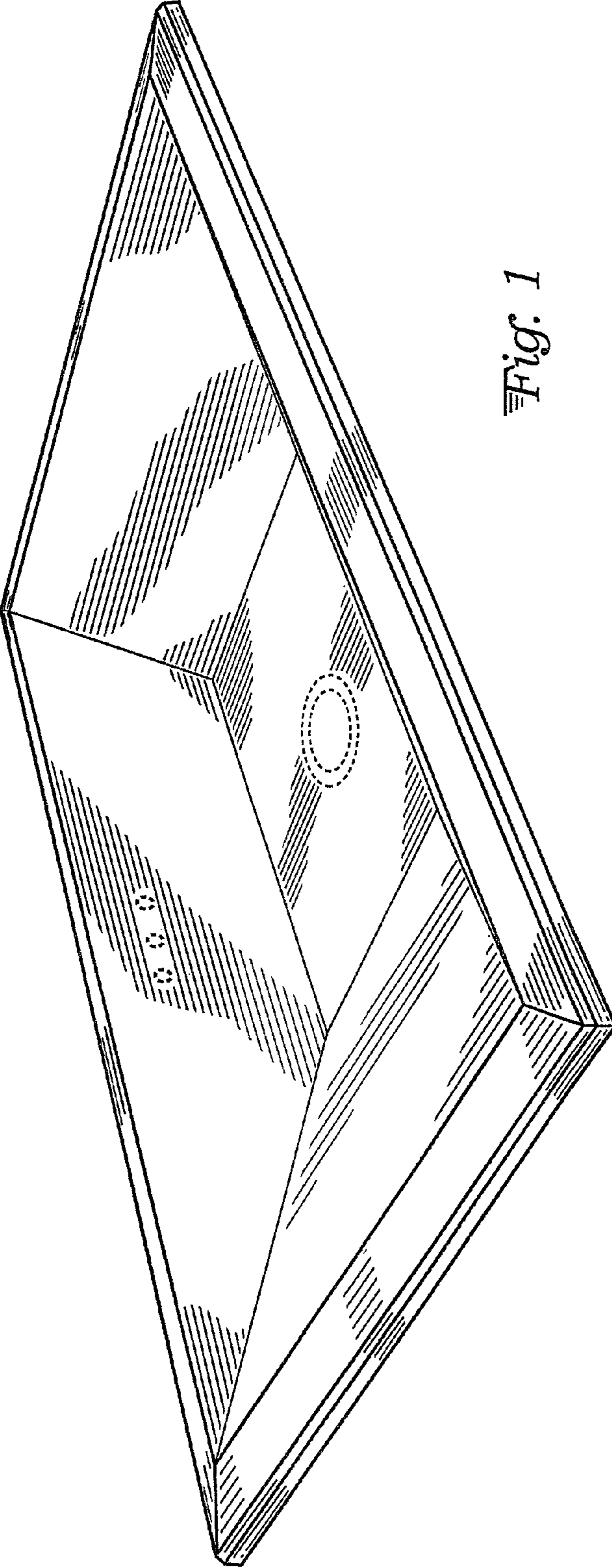


Fig. 1

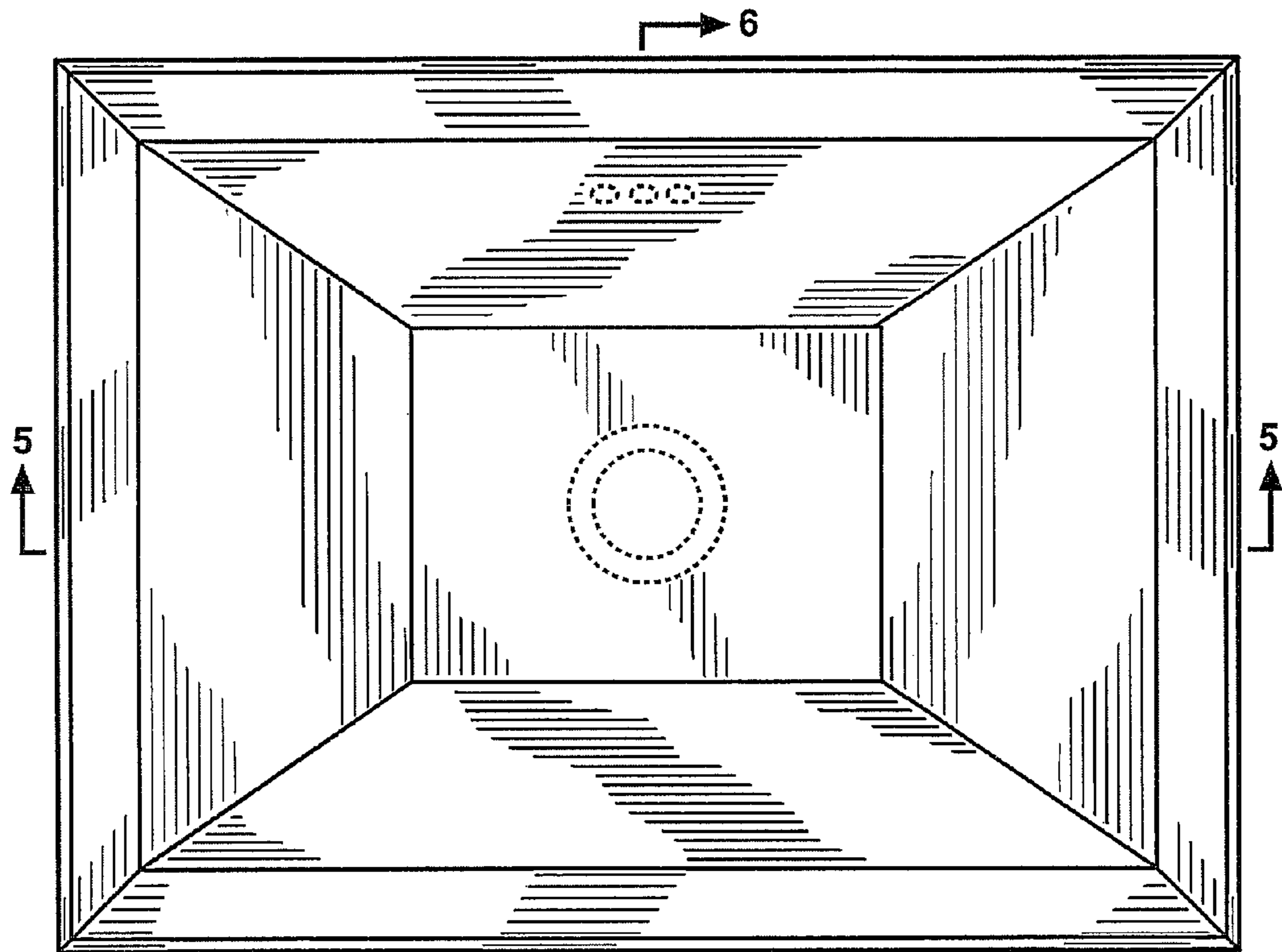


Fig. 2

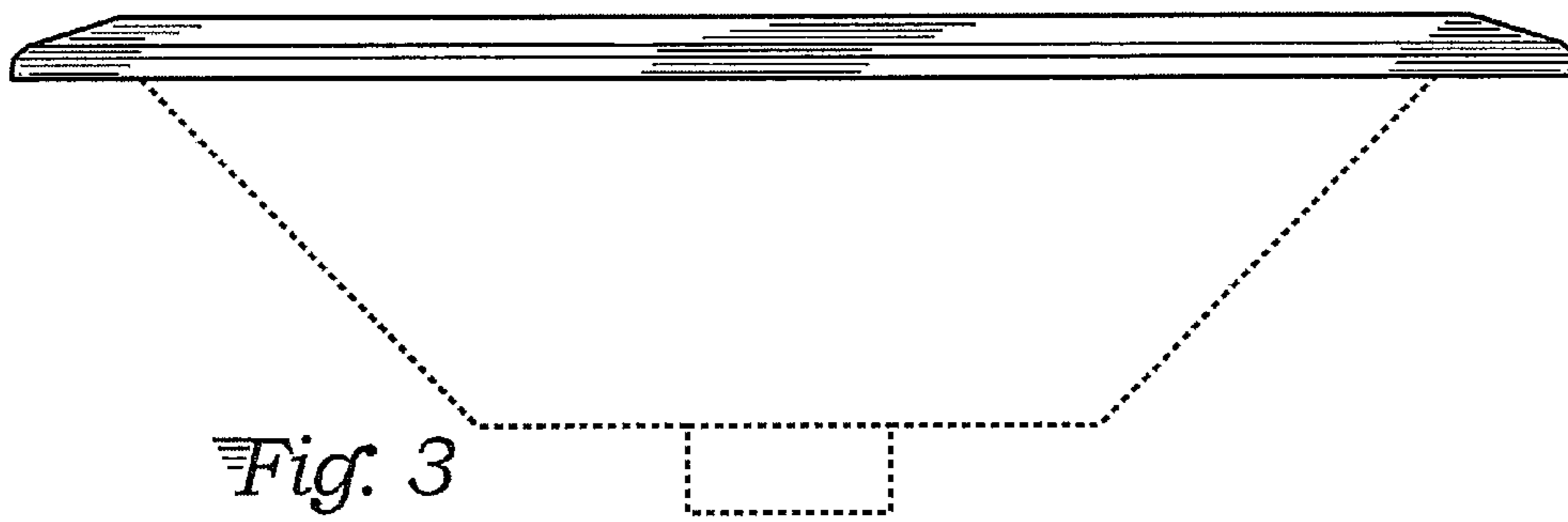


Fig. 3

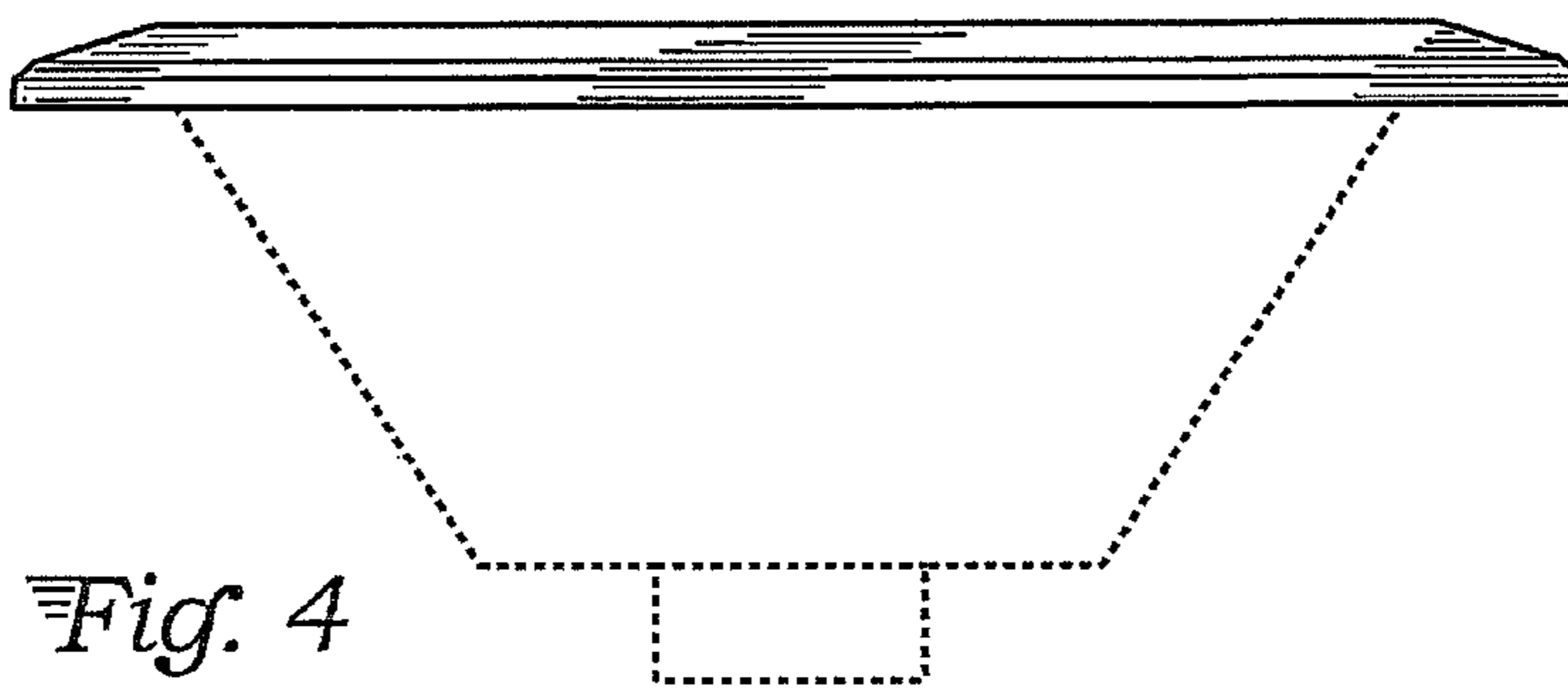
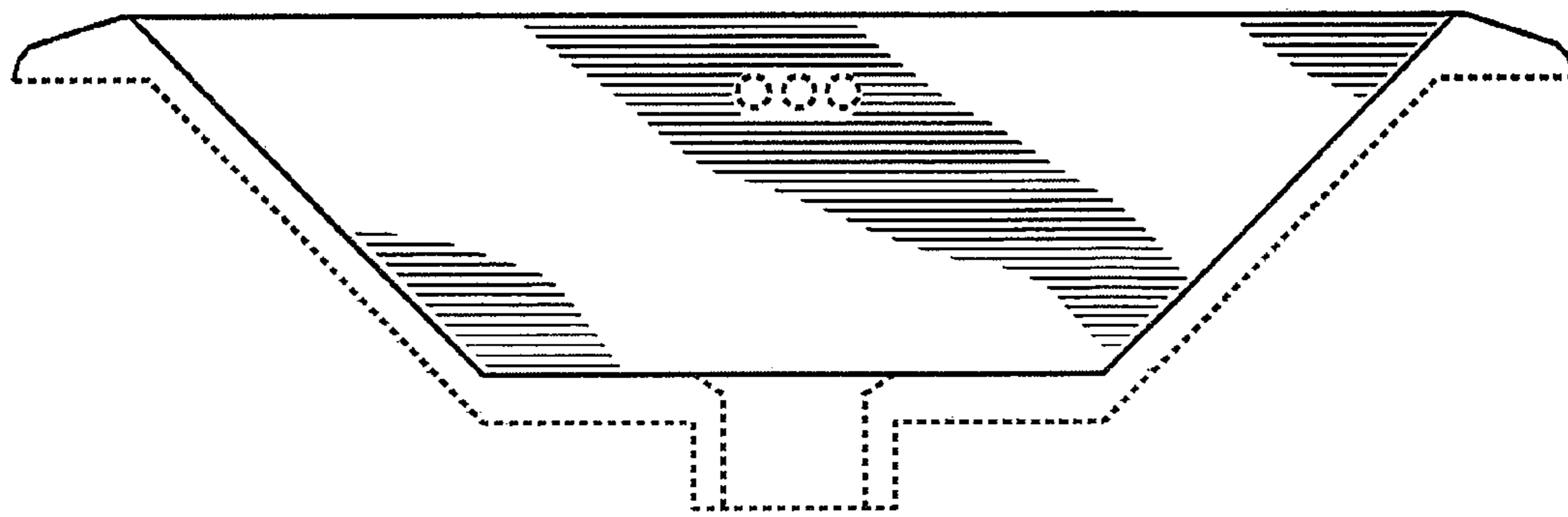
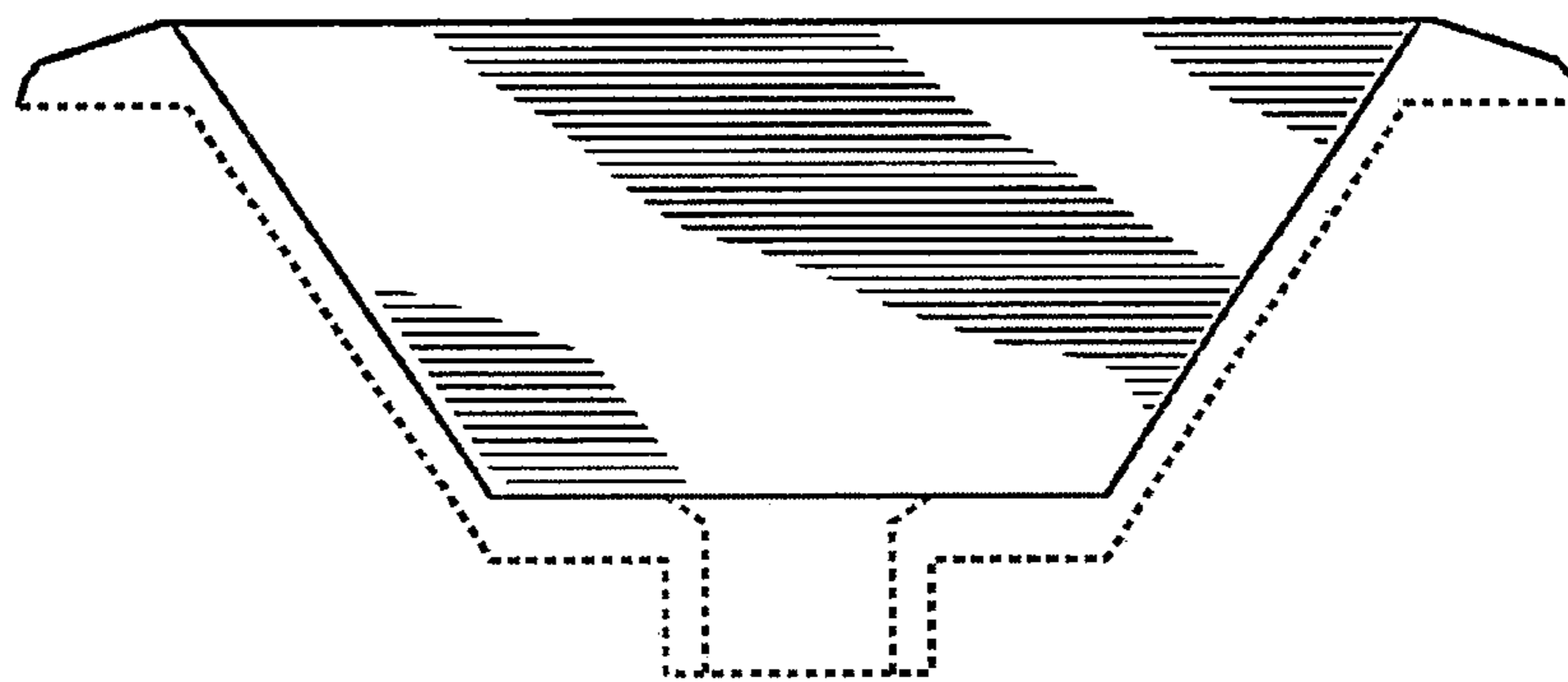


Fig. 4



*Fig. 5*



*Fig. 6*