



US00D713512S

(12) **United States Design Patent**
Luke

(10) **Patent No.:** **US D713,512 S**

(45) **Date of Patent:** **** Sep. 16, 2014**

(54) **PIPE ADAPTOR**

(75) **Inventor:** **Owen Edward Luke**, Kiama Heights
(AU)

(73) **Assignee:** **Reln Pty Ltd** (AU)

(**) **Term:** **14 Years**

(21) **Appl. No.:** **29/430,695**

(22) **Filed:** **Aug. 29, 2012**

(30) **Foreign Application Priority Data**

Mar. 13, 2012 (AU) 11324/2012

(51) **LOC (10) Cl.** **23-01**

(52) **U.S. Cl.**
USPC **D23/262**

(58) **Field of Classification Search**
USPC D23/259–269, 386, 393; 285/12, 63,
285/88, 405; 4/252.4; D9/435–437
See application file for complete search history.

(56) **References Cited**

U.S. PATENT DOCUMENTS

3,088,756	A *	5/1963	May	285/116
3,405,828	A *	10/1968	St Pierre	215/206
3,471,179	A *	10/1969	Sixt	285/148.22
D222,643	S *	11/1971	Martin	D23/266
4,714,279	A *	12/1987	Custeau	285/239
D296,355	S *	6/1988	Kanao	D23/266
D296,356	S *	6/1988	Kanao	D23/266
5,497,514	A *	3/1996	Miller	4/255.04
D430,482	S *	9/2000	Stout, Jr.	D8/382
D447,792	S *	9/2001	Renaud	D23/266
D452,343	S *	12/2001	Pan	D26/138
D483,095	S *	12/2003	Snyder et al.	D23/262
6,666,233	B1 *	12/2003	Sorkin	138/121
D484,953	S *	1/2004	Renaud	D23/266

D501,539	S *	2/2005	Dyer, III	D23/262
D504,503	S *	4/2005	Thurman	D23/393
6,941,972	B2 *	9/2005	Toliver et al.	138/26
D517,666	S *	3/2006	Wilk et al.	D23/262
D517,667	S *	3/2006	Sener et al.	D23/262
D531,284	S *	10/2006	Wagner et al.	D23/266
D551,336	S *	9/2007	Haggkvist	D23/386
D586,435	S *	2/2009	Reckseen	D23/266
D603,939	S *	11/2009	McPheat	D23/262
D676,940	S *	2/2013	Kluss et al.	D23/262
D676,943	S *	2/2013	Kluss et al.	D23/262
D703,794	S *	4/2014	Luke	D23/262

* cited by examiner

Primary Examiner — Eric Goodman

Assistant Examiner — John Reickel

(74) *Attorney, Agent, or Firm* — Barnes & Thornburg LLP

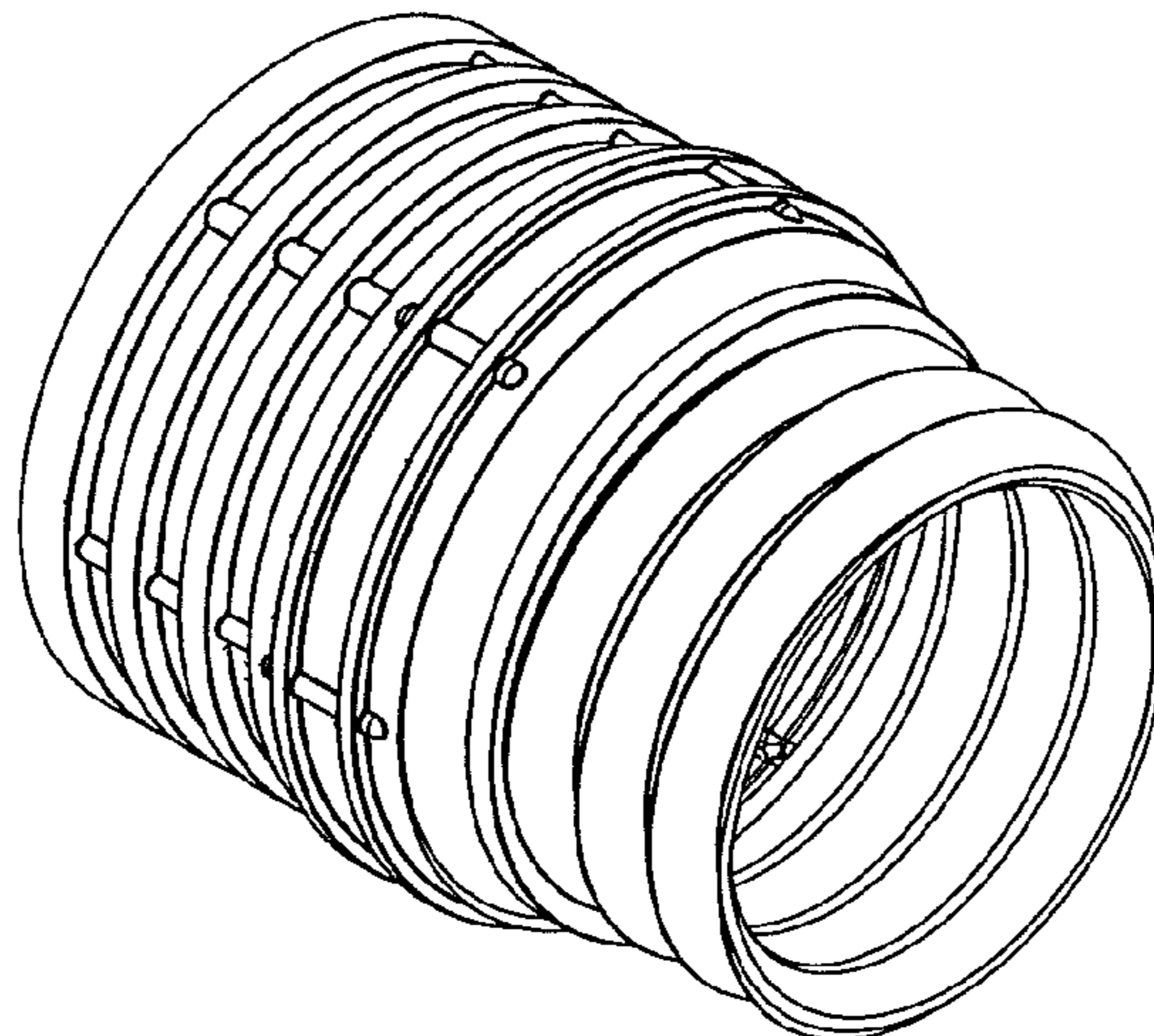
(57) **CLAIM**

The ornamental design for a pipe adaptor, as shown and described.

DESCRIPTION

FIG. 1 is an isometric view thereof, taken from one end,
 FIG. 2 is an isometric view, taken from the opposite end,
 FIG. 3 is an isometric view similar to FIG. 2, but taken from
 beneath,
 FIG. 4 is an isometric view similar to FIG. 1, but taken from
 beneath,
 FIG. 5 is a side elevational view thereof, the opposite side
 being a mirror image,
 FIG. 6 is a top plan view thereof,
 FIG. 7 is a bottom plan view thereof,
 FIG. 8 is an end view thereof as shown in FIG. 5, from the left
 end; and,
 FIG. 9 is an end view thereof as shown in FIG. 5, from the
 right end.

1 Claim, 2 Drawing Sheets



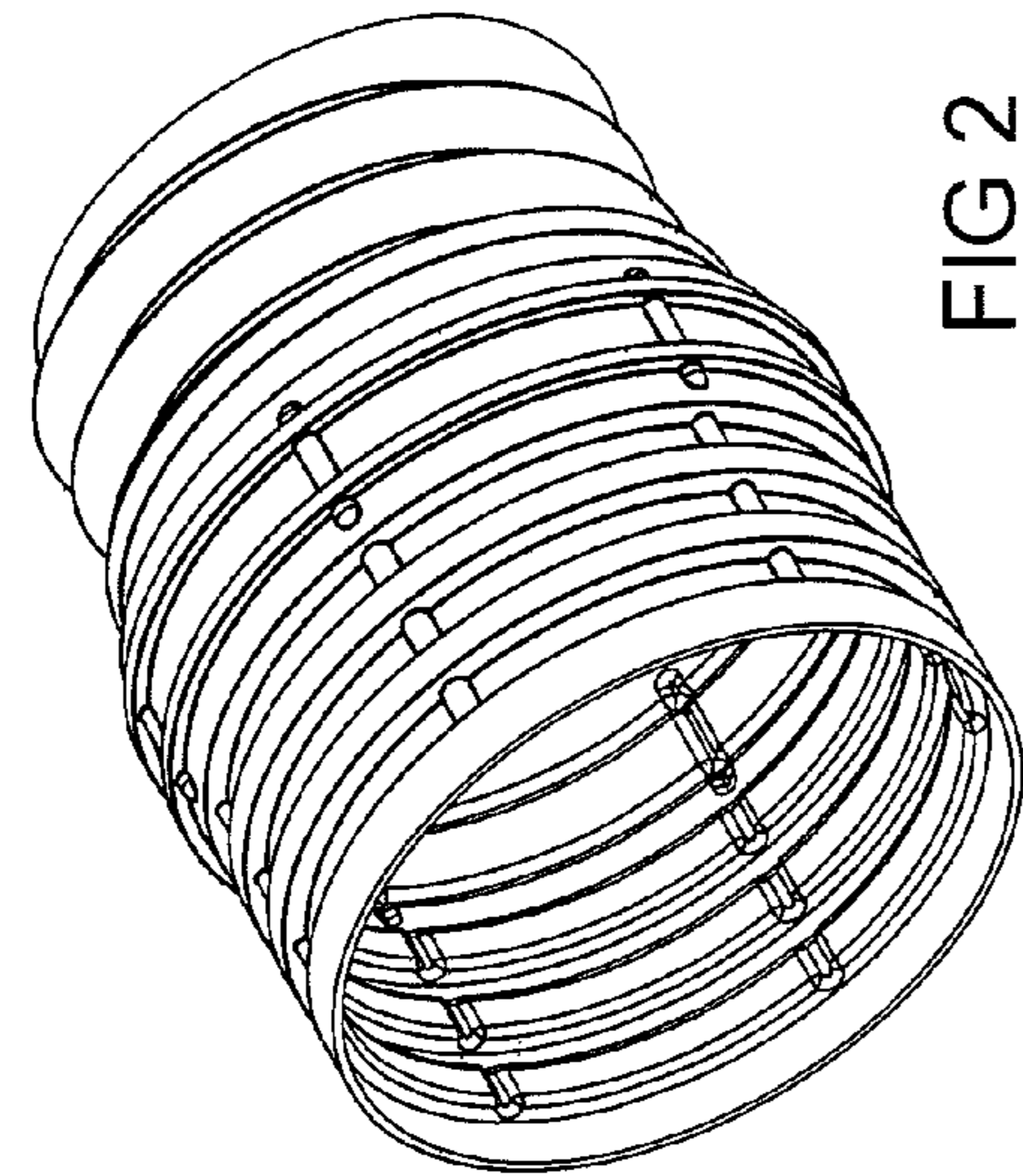


FIG 2

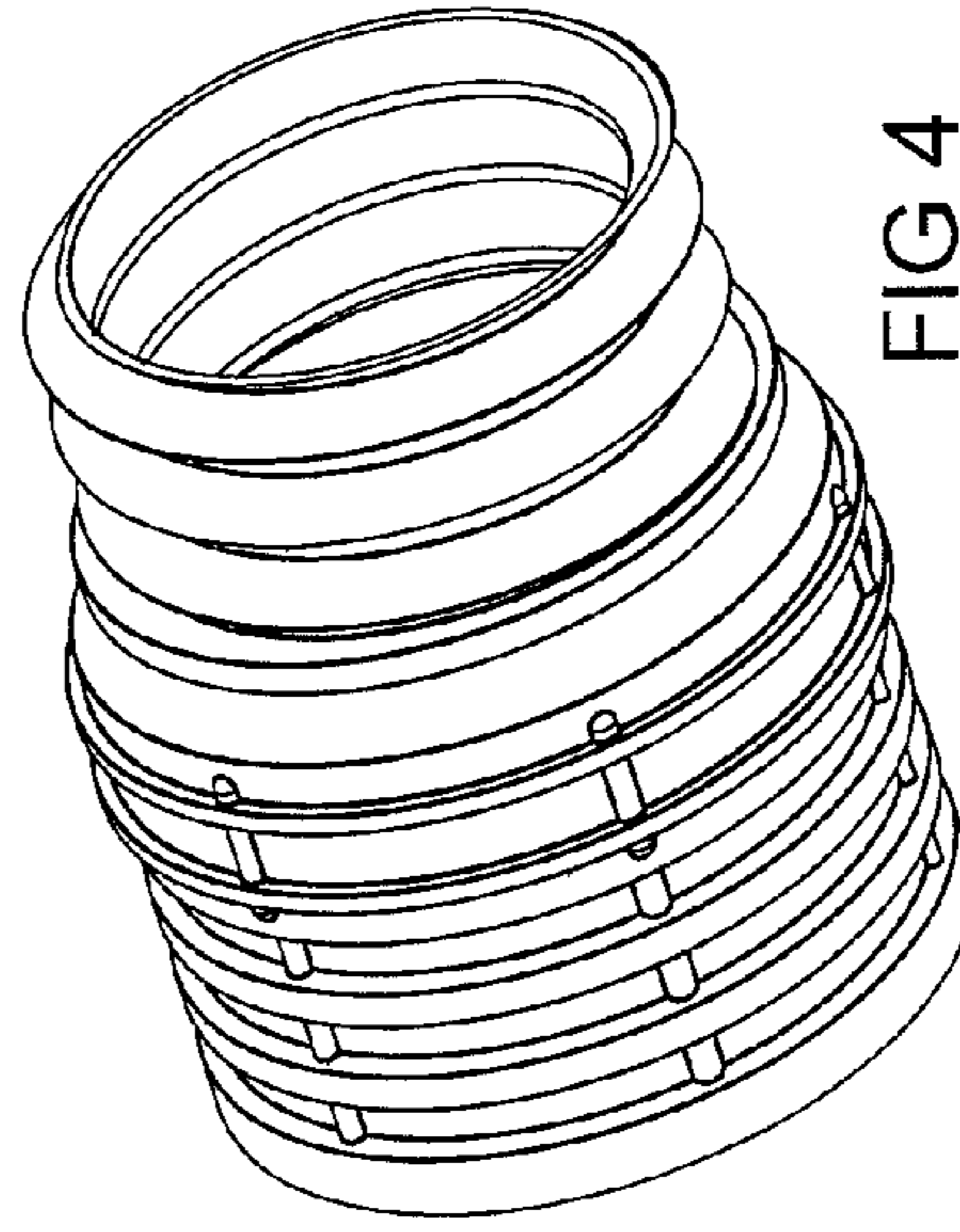


FIG 4

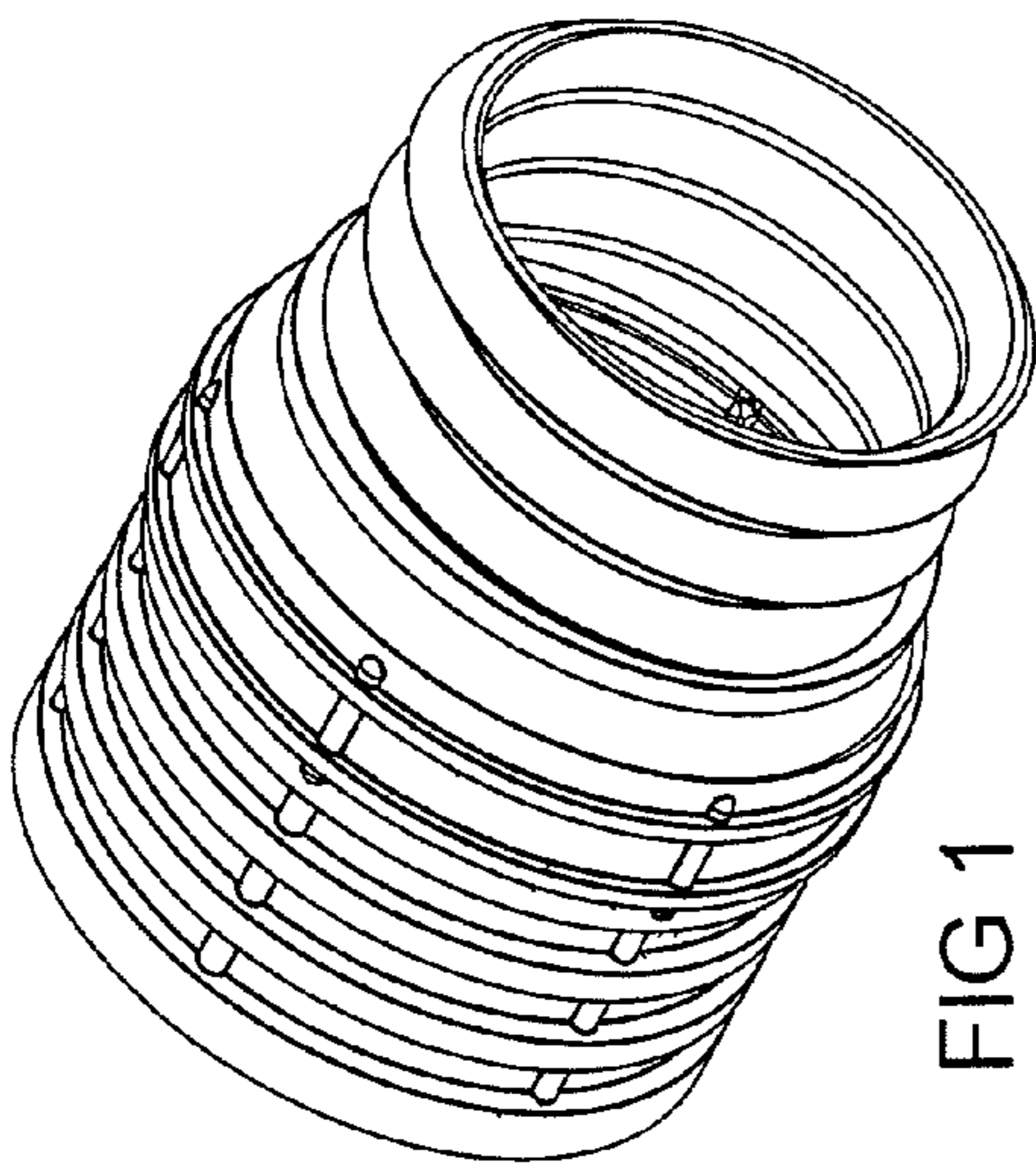


FIG 1

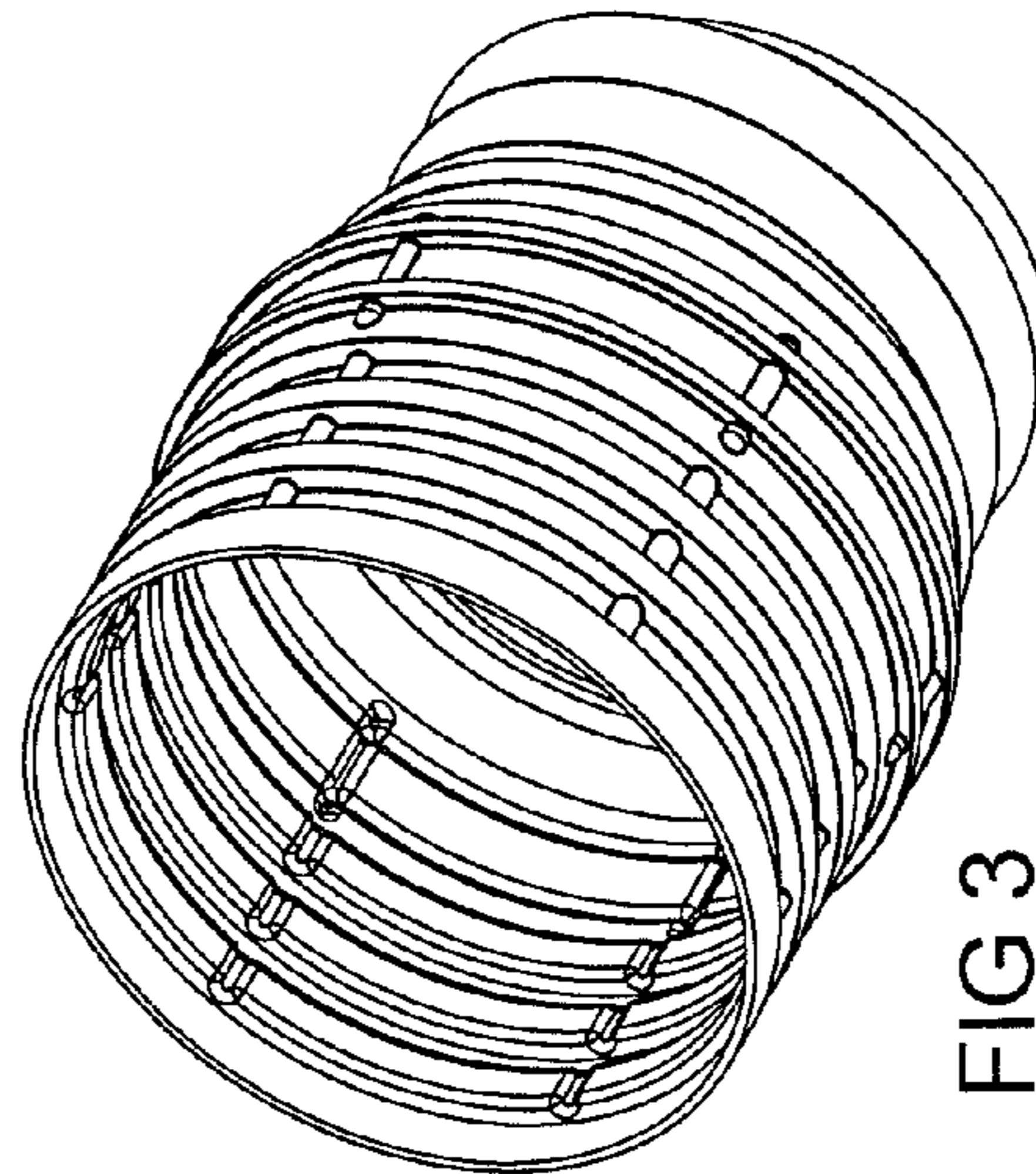


FIG 3

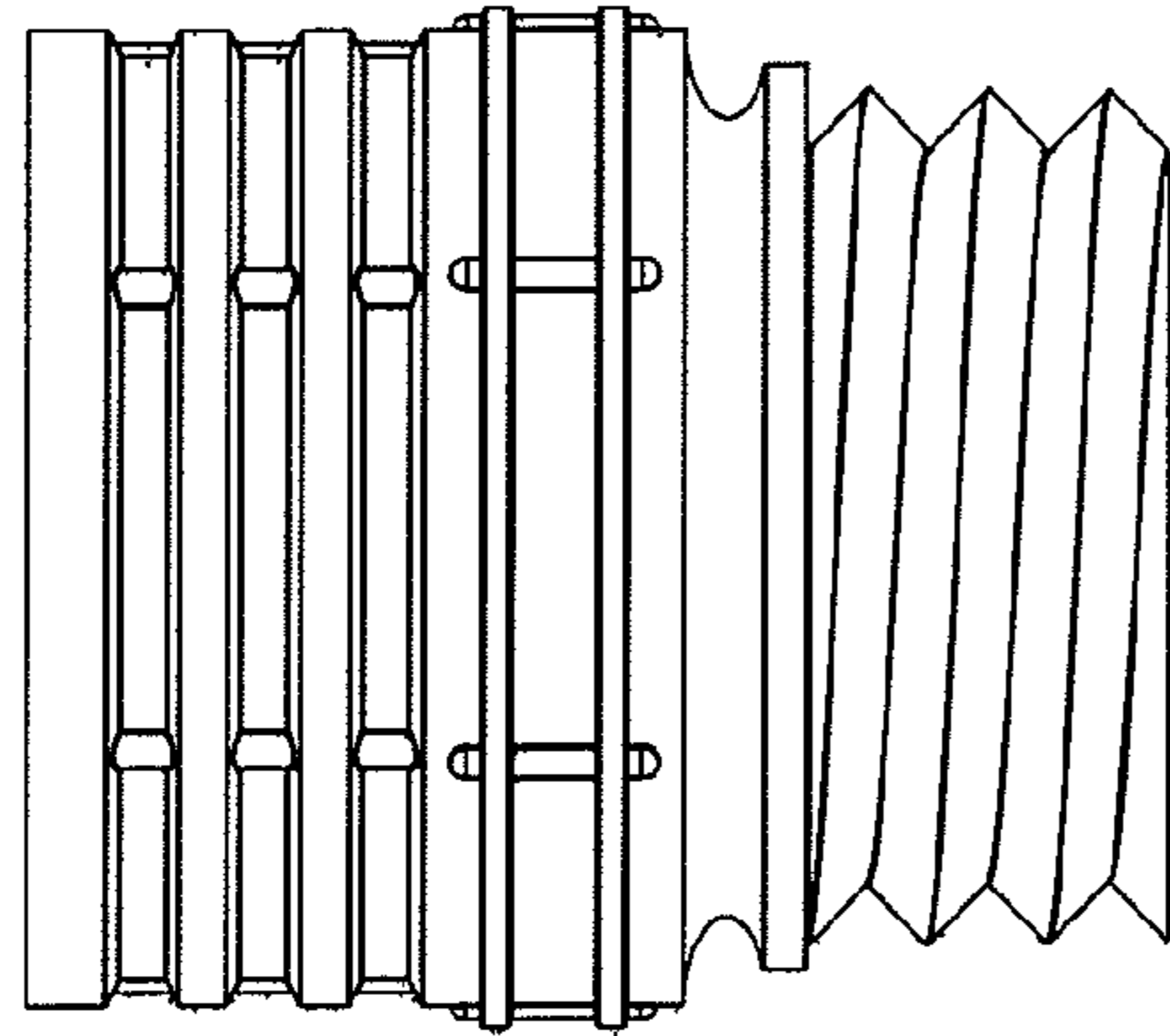


FIG 6

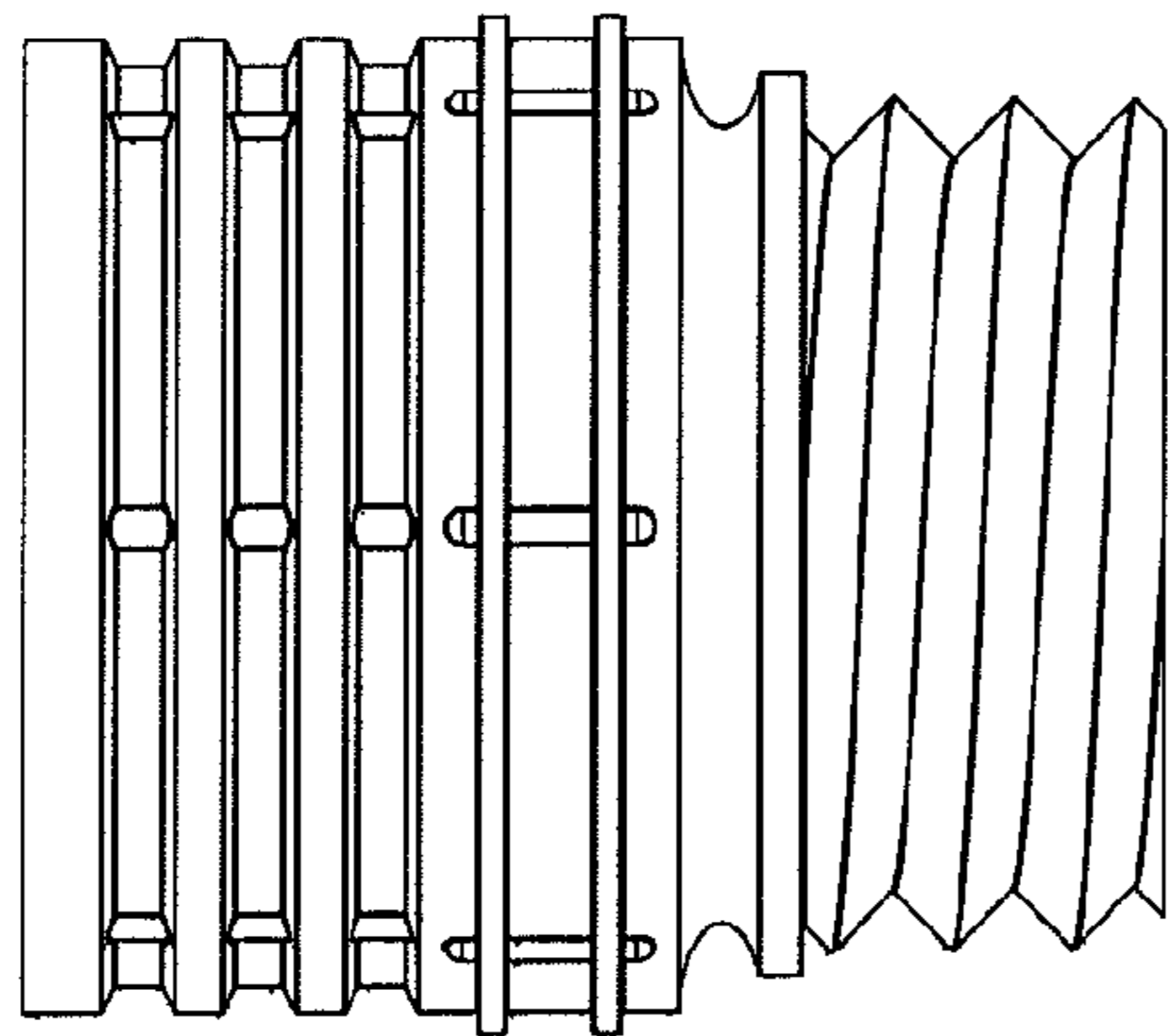


FIG 5

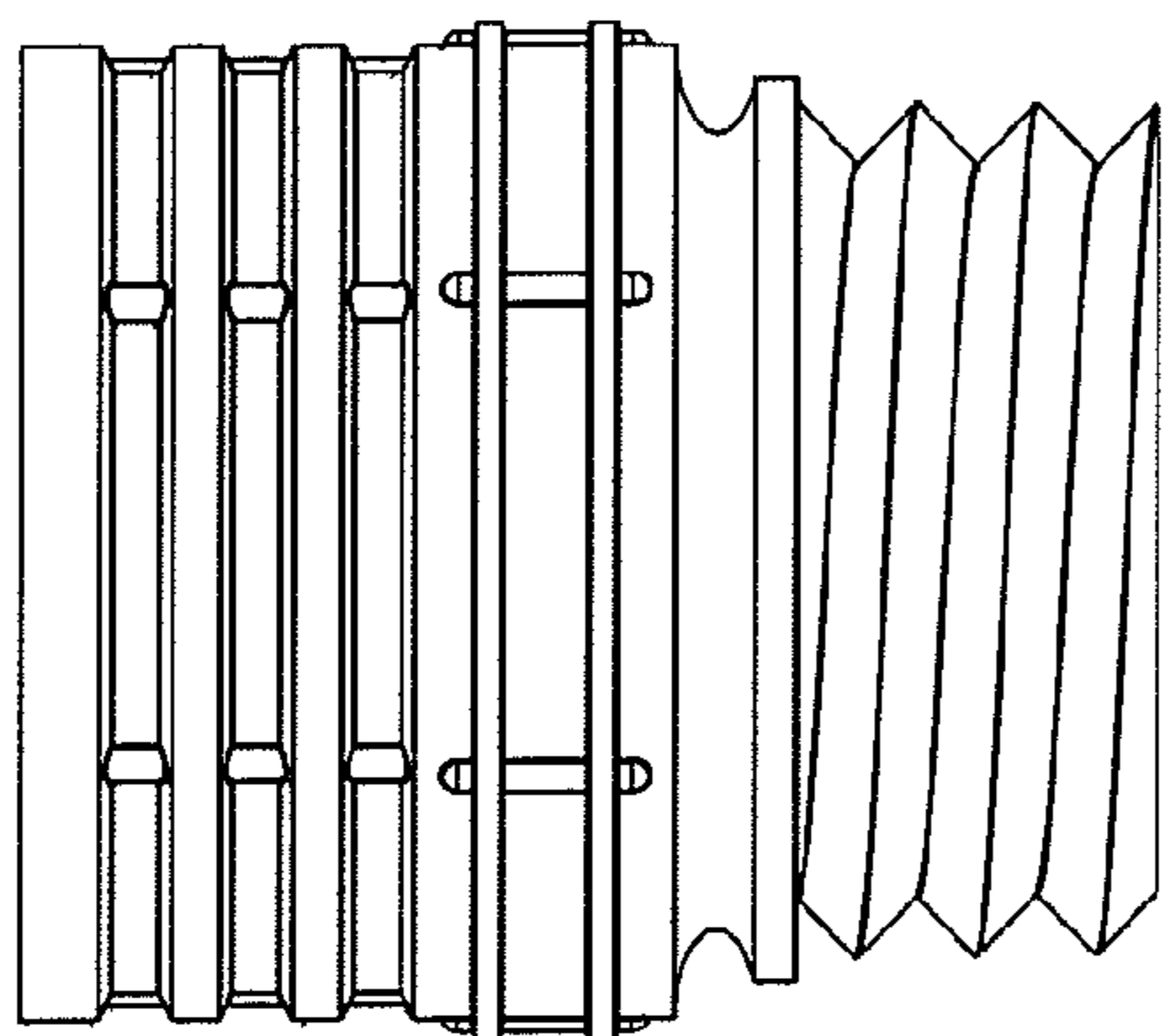


FIG 7

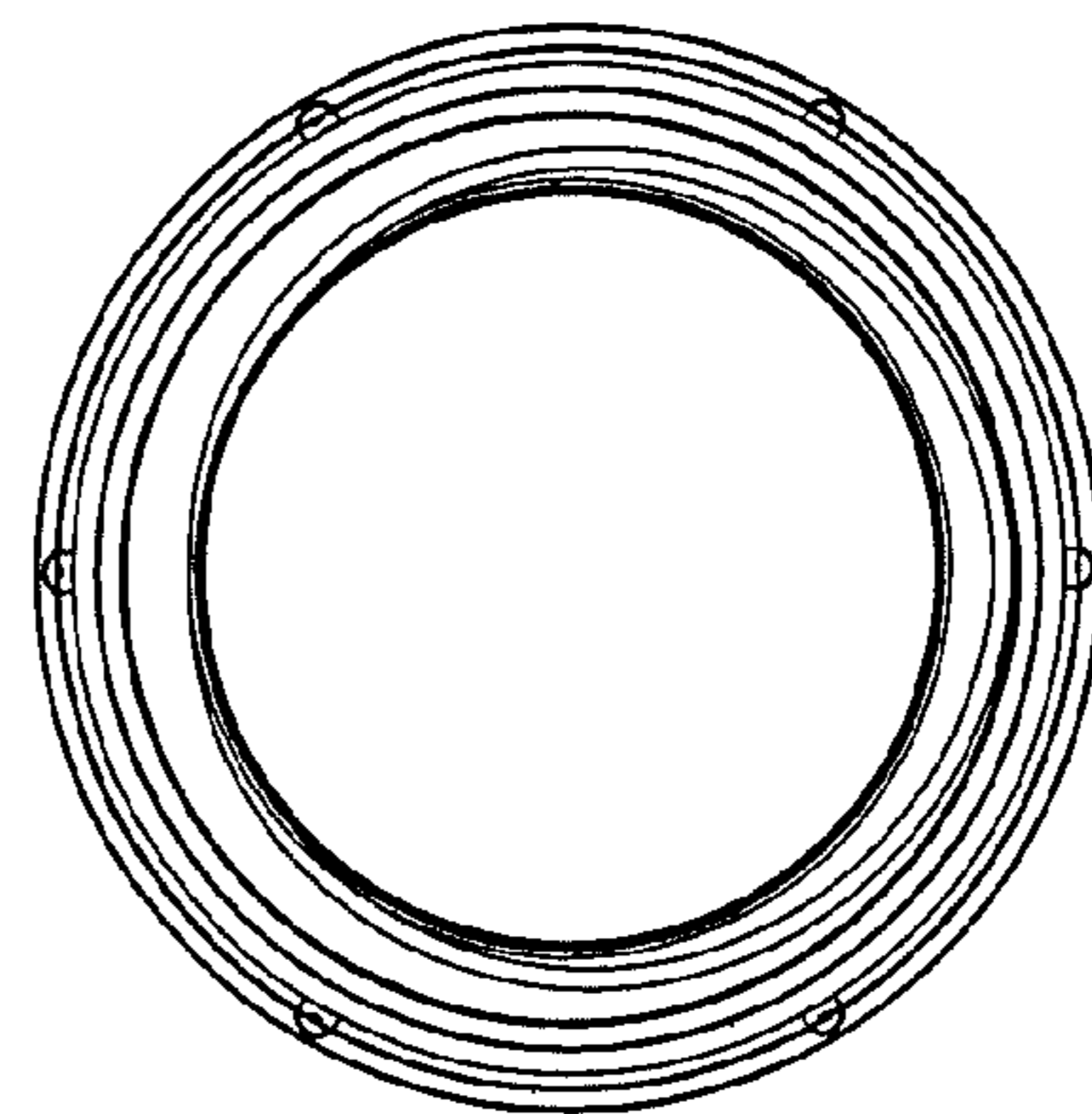


FIG 8

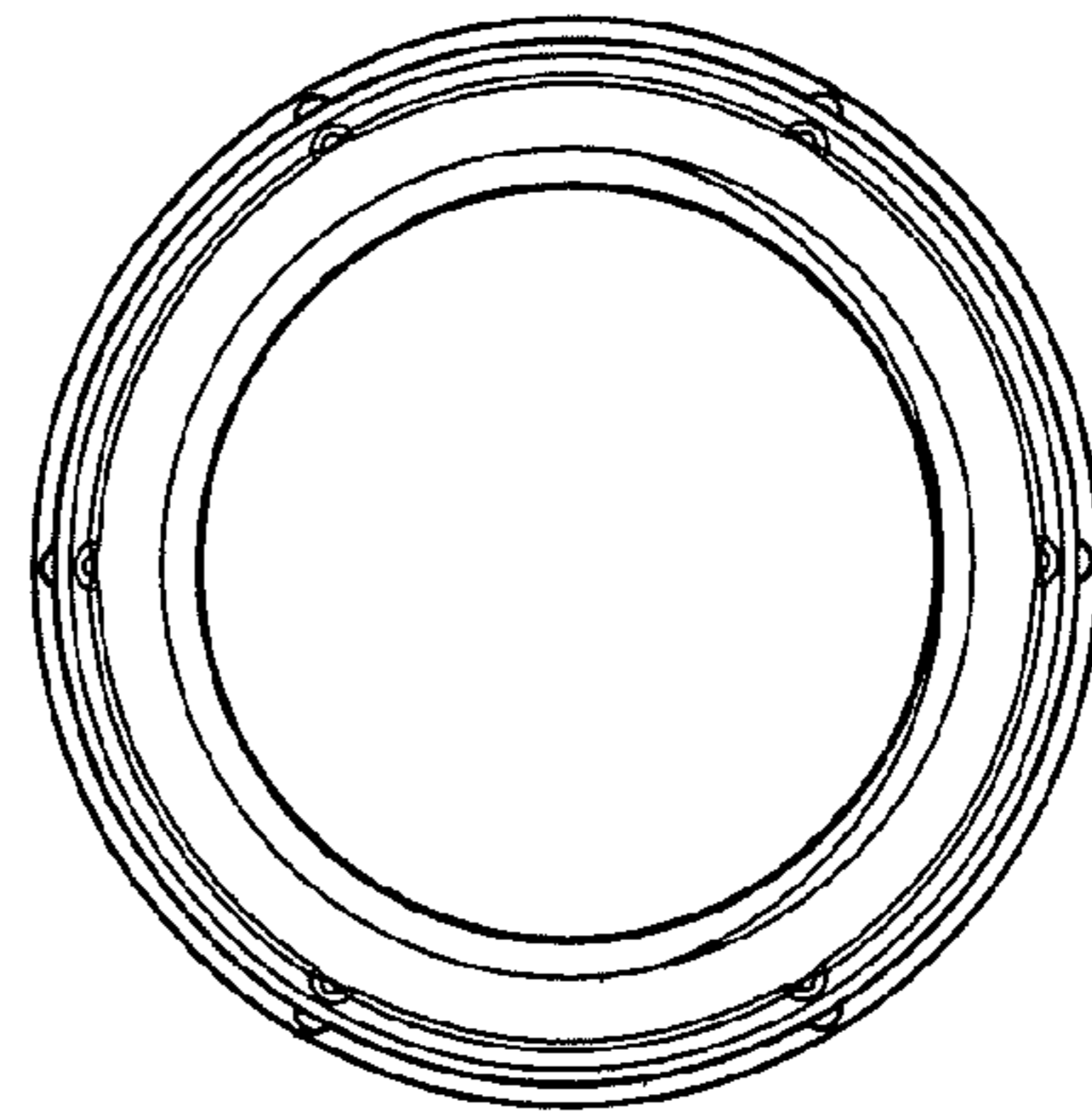


FIG 9