



US00D713509S

(12) **United States Design Patent**
Potter et al.

(10) **Patent No.:** **US D713,509 S**
(45) **Date of Patent:** **** Sep. 16, 2014**

- (54) **FAUCET HANDLE**
- (71) Applicant: **Price Pfister, Inc.**, Lake Forest, CA (US)
- (72) Inventors: **Cameron Potter**, Pasadena, CA (US);
David Downey, Mission Viejo, CA (US)
- (73) Assignee: **Price Pfister, Inc.**, Lake Forest, CA (US)
- (**) Term: **14 Years**
- (21) Appl. No.: **29/482,813**
- (22) Filed: **Feb. 21, 2014**
- (51) **LOC (10) Cl.** **23-01**
- (52) **U.S. Cl.**
USPC **D23/252; D23/242**
- (58) **Field of Classification Search**
CPC E03C 1/04; E03C 1/0401; E03C 1/0404;
E03C 1/042; E03C 1/0415
USPC D23/238, 241–243, 250, 252, 255, 257
See application file for complete search history.

- D482,757 S 11/2003 Blomstrom
- D482,758 S 11/2003 Bates
- D496,436 S 9/2004 Ouyoung
- D497,411 S 10/2004 Warshawsky
- D502,534 S 3/2005 Panis et al.

(Continued)

FOREIGN PATENT DOCUMENTS

- EP 1738037 A2 1/2007
- EP 1877628 A2 1/2008

(Continued)

Primary Examiner — Robert Delehanty

(74) *Attorney, Agent, or Firm* — Barnes & Thornburg LLP

(57) **CLAIM**

What is claimed is the ornamental design for a faucet handle, as shown and described.

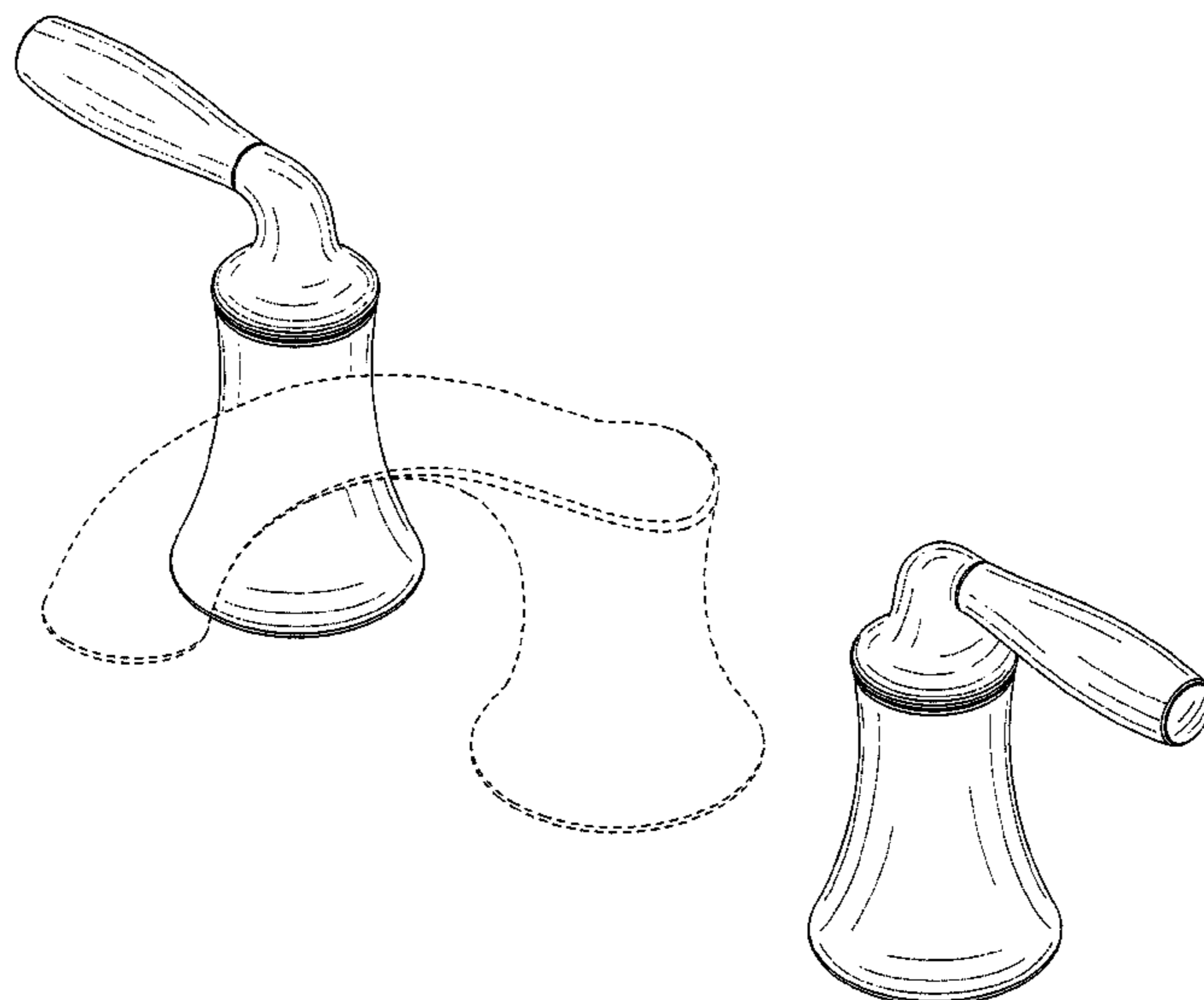
DESCRIPTION

FIG. 1—perspective view of our new design with the spray head in broken lines;
 FIG. 2—right side elevation view of the design shown in FIG. 1;
 FIG. 3—is the left side elevational view of the design shown in FIG. 1;
 FIG. 4—is a top view of the design shown in FIG. 1;
 FIG. 5—is a bottom view of the design shown in FIG. 1;
 FIG. 6—is a front elevational view of the design shown in FIG. 1; and,
 FIG. 7—is a rear elevational view of the design shown in FIG. 1.

The broken lines shown in the drawings are for purposes of illustrating portions of the design and form no part of the claimed design.

1 Claim, 6 Drawing Sheets

- (56) **References Cited**
- U.S. PATENT DOCUMENTS
- 5,852,848 A 12/1998 Spurgeon
 - D447,542 S 9/2001 Dretzka
 - 6,370,712 B1 4/2002 Burns
 - D458,346 S 6/2002 Müllenmeister
 - D458,347 S 6/2002 Müllenmeister
 - D458,349 S 6/2002 Müllenmeister
 - D462,742 S 9/2002 Lord
 - D465,559 S 11/2002 Chen
 - D467,998 S 12/2002 Panis et al.
 - D469,159 S 1/2003 Marshall
 - D469,162 S 1/2003 Panis et al.
 - D469,511 S 1/2003 Marshall
 - D471,964 S 3/2003 Bates
 - D475,764 S 6/2003 Singtoroj
 - D477,053 S 7/2003 Schönherr et al.



(56)

References Cited

U.S. PATENT DOCUMENTS

D510,127 S 9/2005 Spangler
 D511,563 S 11/2005 Berman
 D511,564 S 11/2005 Berman
 D515,669 S 2/2006 Ying Hui et al.
 D515,670 S 2/2006 Ying Hui et al.
 D516,675 S 3/2006 Kakihana
 D517,171 S 3/2006 Shieh
 D518,149 S 3/2006 Spangler
 D518,150 S 3/2006 Chu
 D519,610 S * 4/2006 Fritz D23/241
 D519,613 S 4/2006 Spangler
 D520,115 S 5/2006 Fritz
 D520,118 S 5/2006 Fritz
 D520,602 S 5/2006 Koury
 D520,603 S 5/2006 Fritz
 D521,110 S 5/2006 Fritz et al.
 D521,112 S 5/2006 Fritz
 D521,602 S 5/2006 En Min et al.
 D522,097 S 5/2006 Fritz et al.
 D522,098 S 5/2006 Fritz

D524,914 S 7/2006 Chu
 D527,804 S * 9/2006 Chu et al. D23/252
 D529,997 S 10/2006 Chen
 D535,726 S 1/2007 Koury
 D542,383 S 5/2007 Chu
 D606,169 S 12/2009 Lammel et al.
 D634,815 S * 3/2011 Barry D23/252
 D655,787 S 3/2012 Obara et al.
 D655,788 S 3/2012 Obara et al.
 D680,626 S 4/2013 Kwok
 D682,991 S 5/2013 Liao
 D682,992 S 5/2013 Obara et al.
 D688,777 S 8/2013 Liao

FOREIGN PATENT DOCUMENTS

WO WO2002025022 A1 3/2002
 WO WO2007027340 A2 3/2007
 WO WO2006081107 A3 5/2007
 WO WO2007095070 A1 8/2007
 WO WO2006099273 A3 6/2009

* cited by examiner

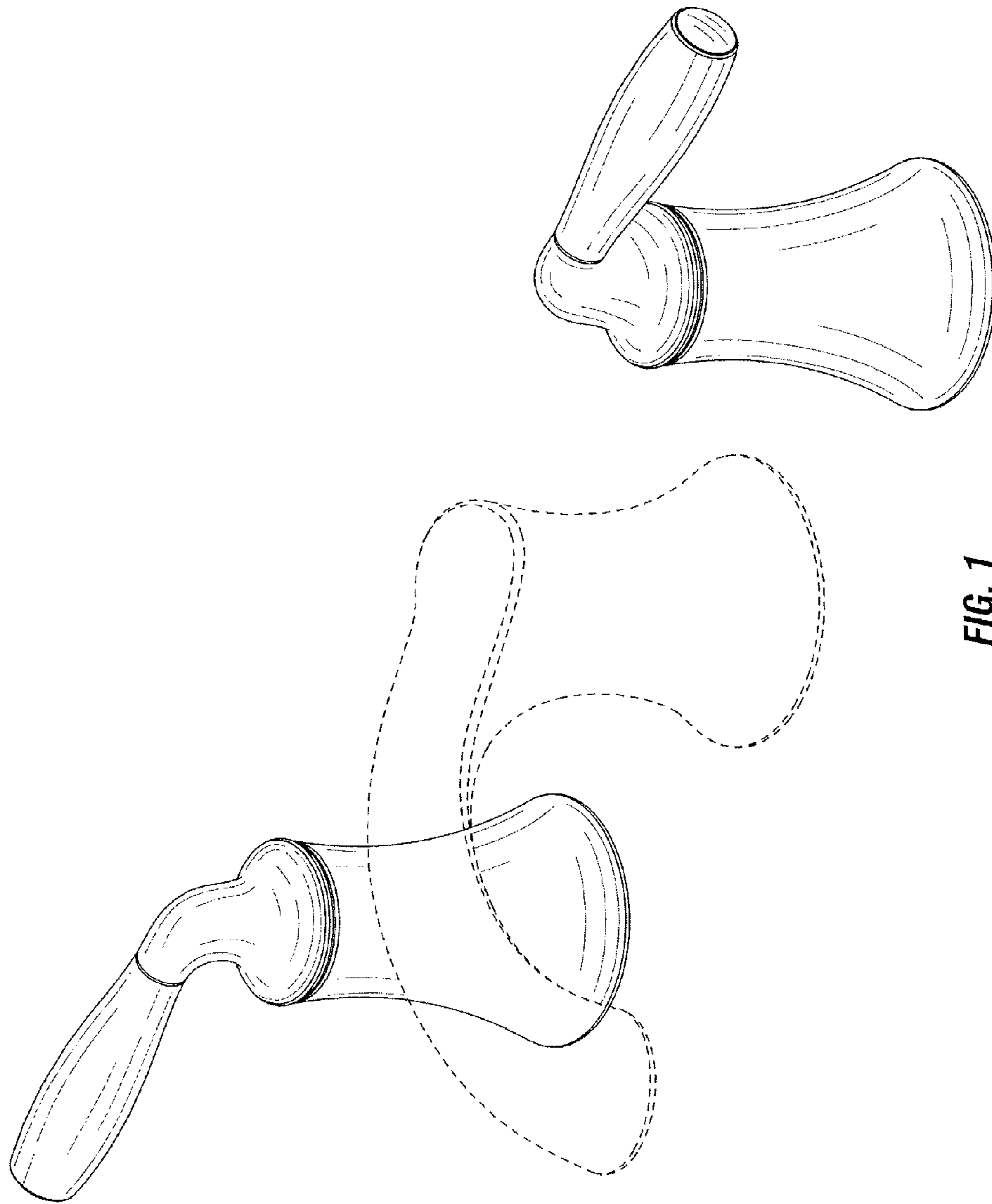


FIG. 1

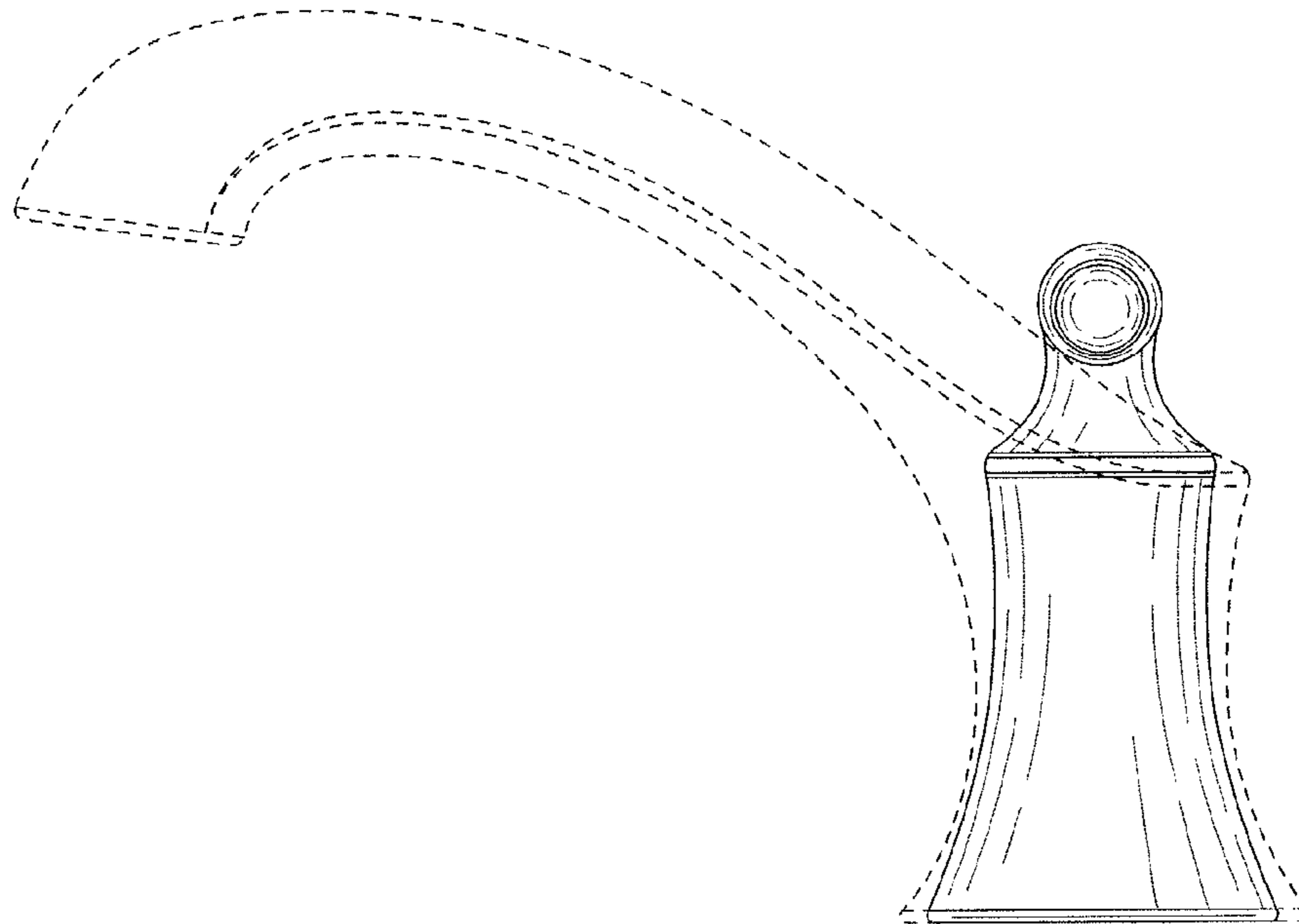


FIG. 2

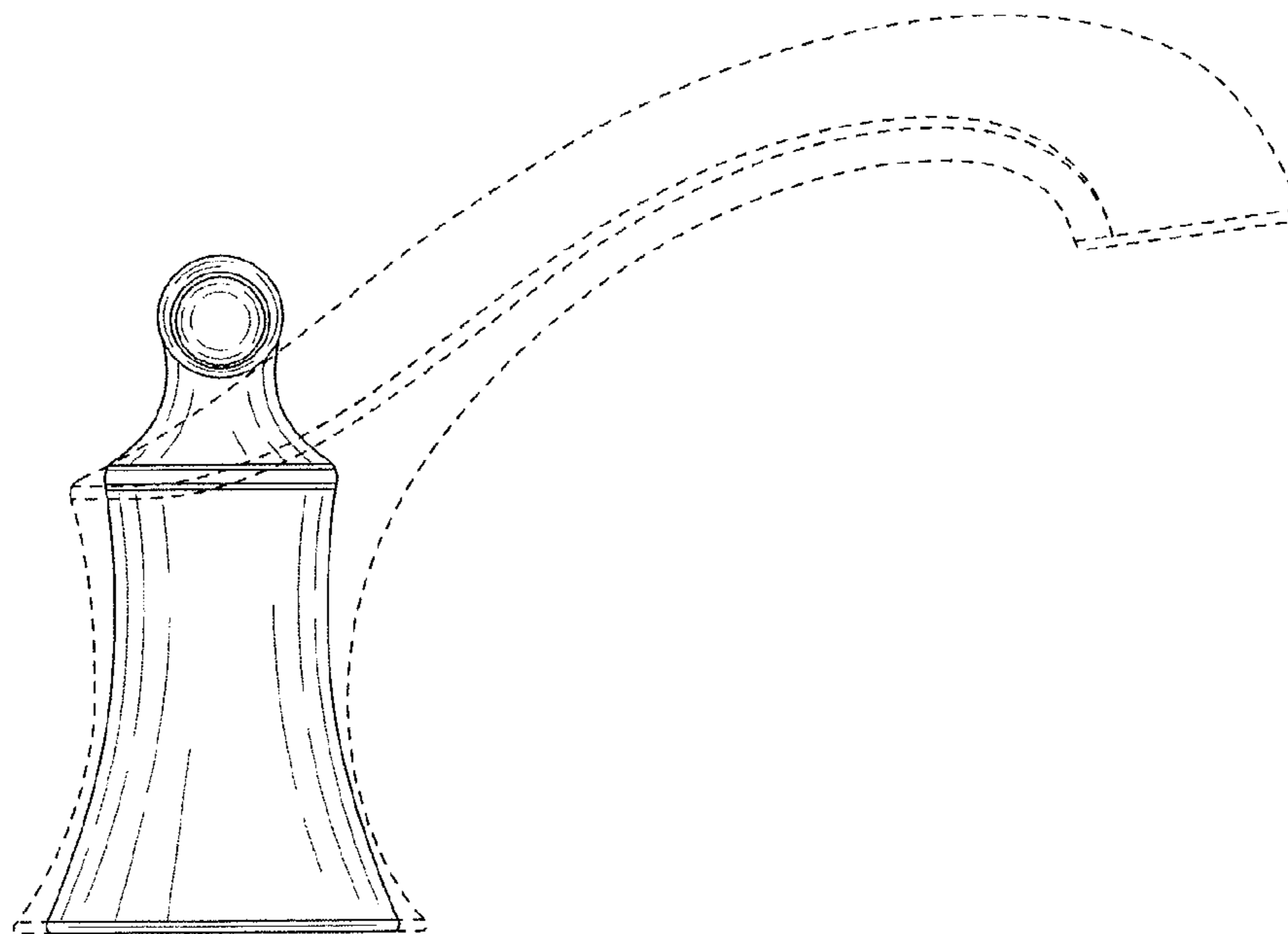


FIG. 3

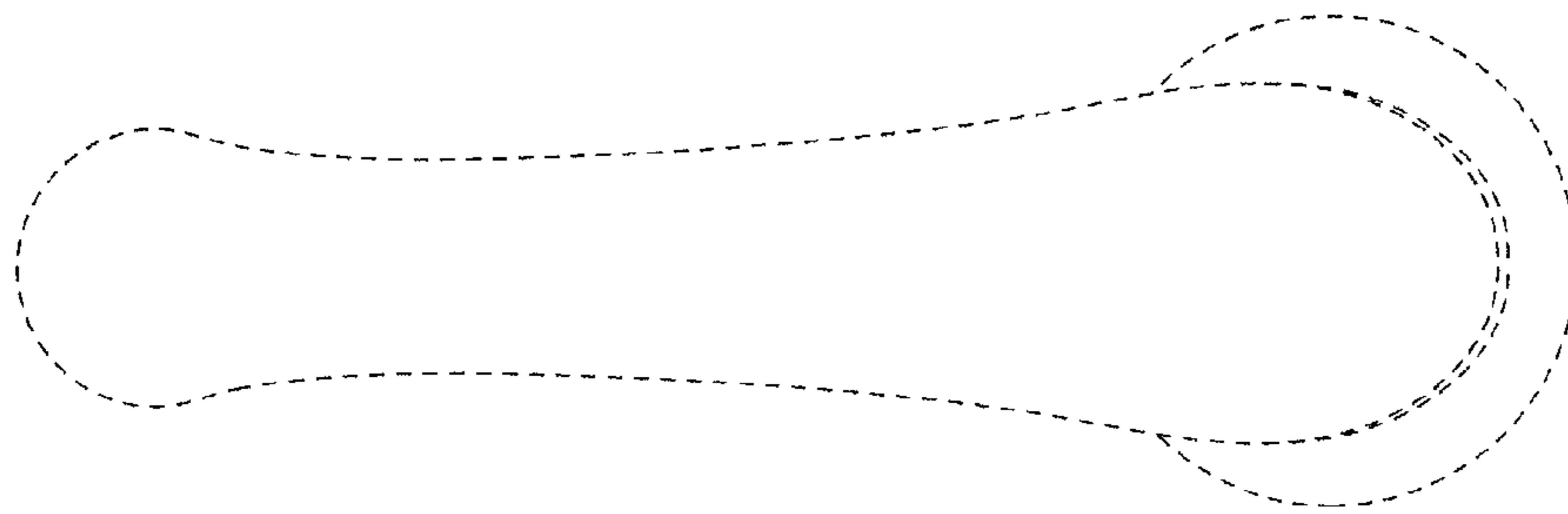
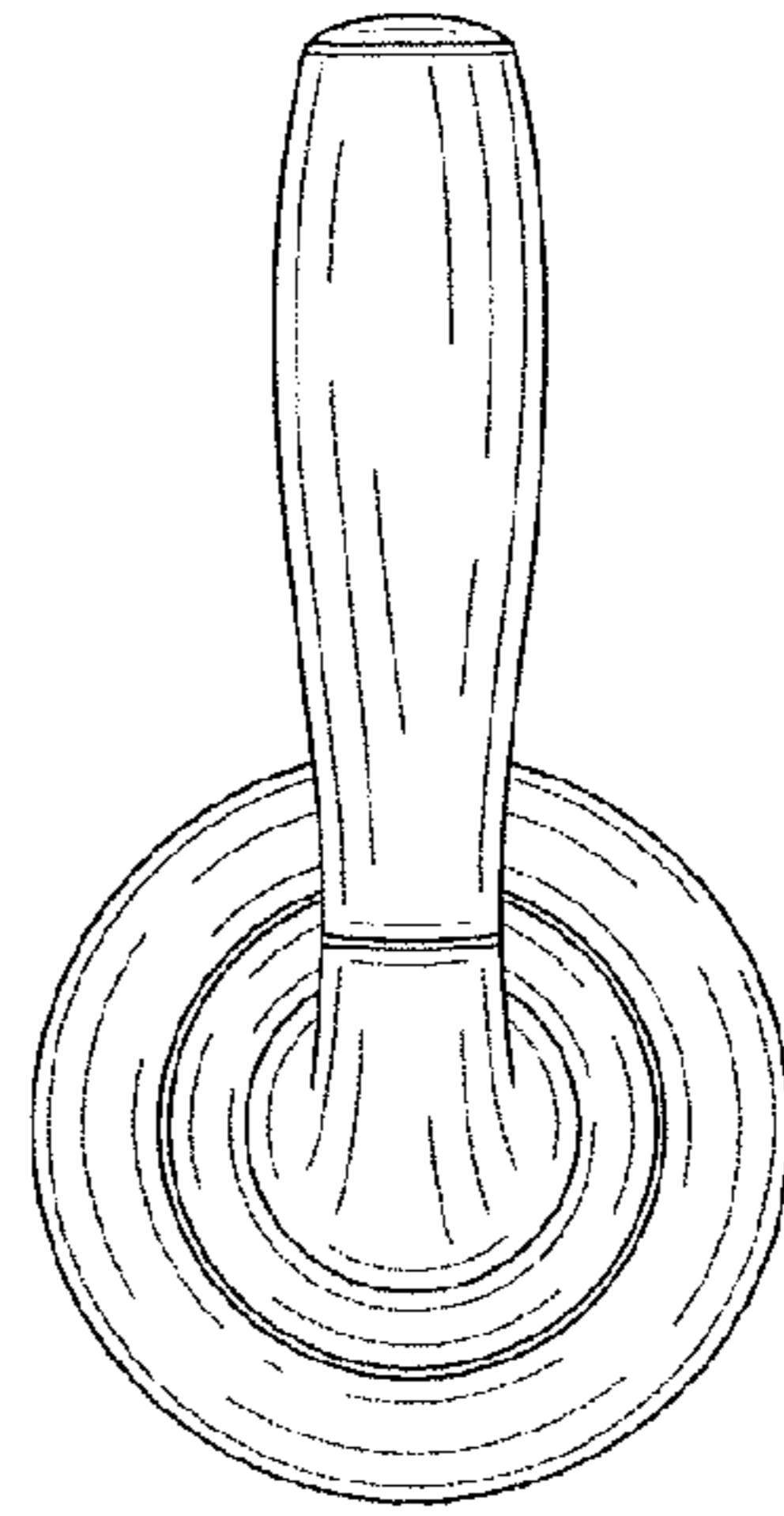
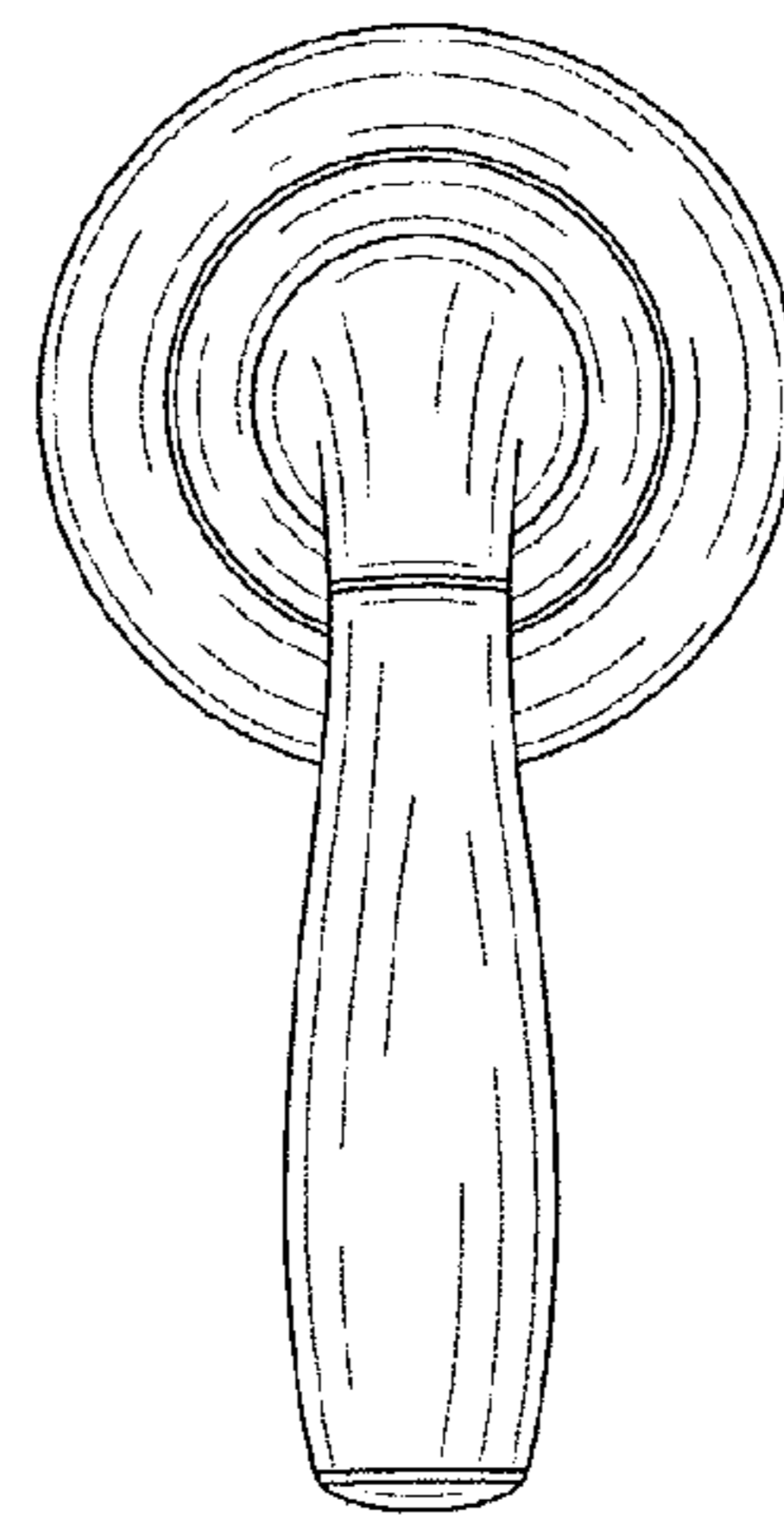


FIG. 4



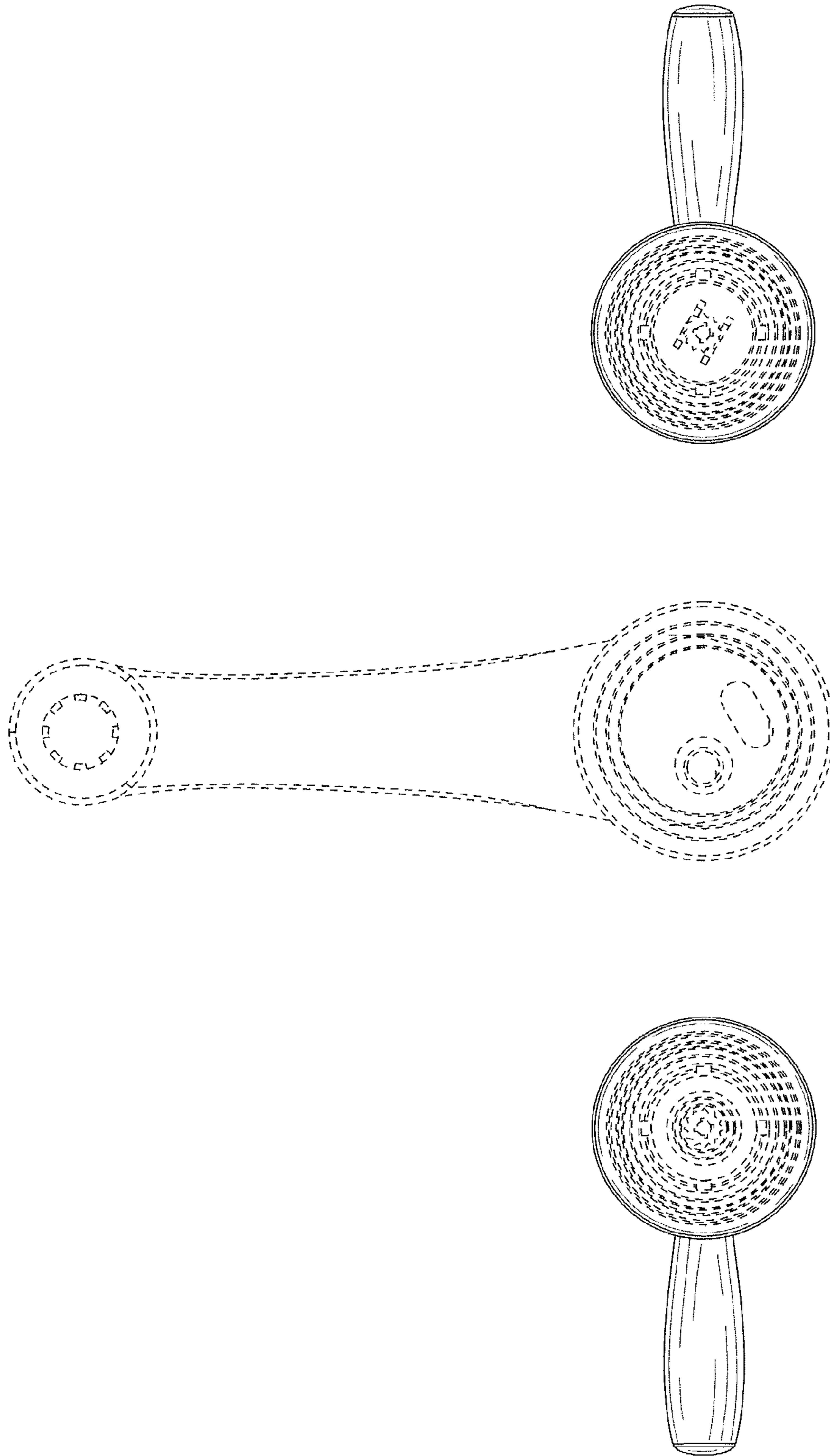


FIG. 5

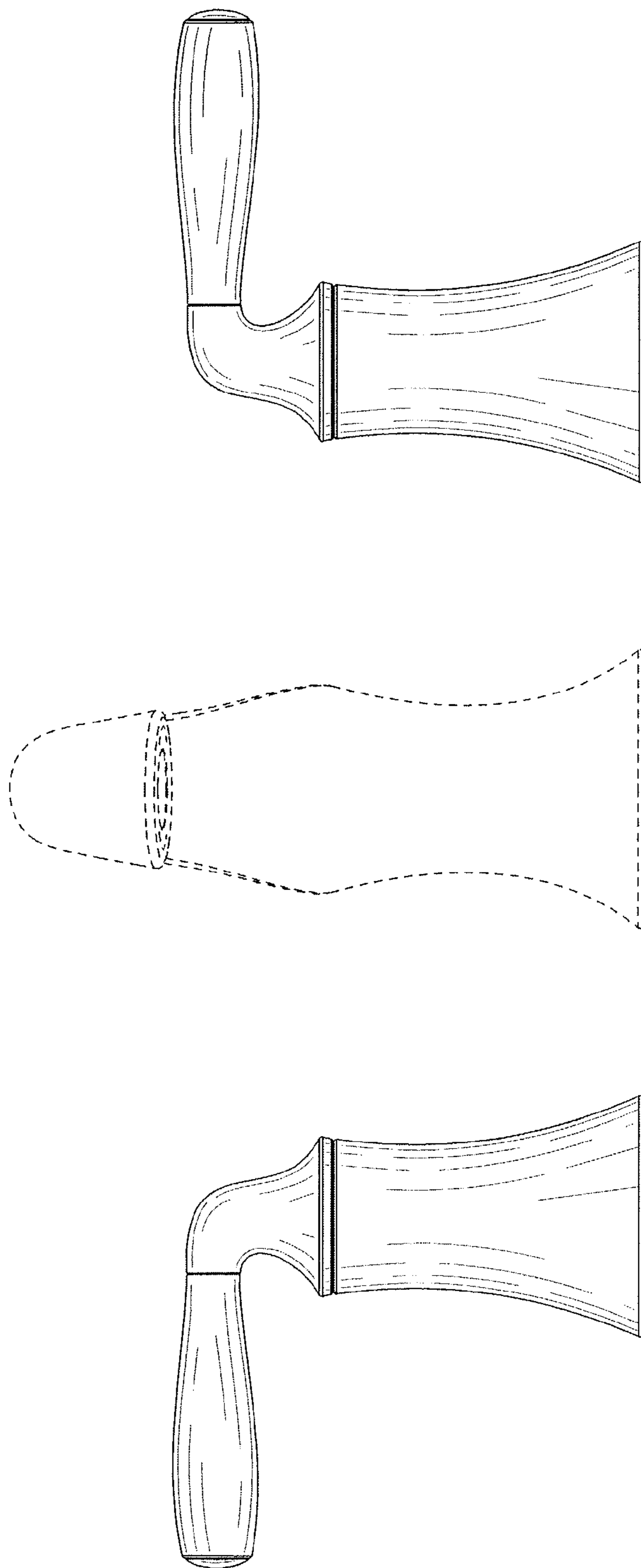


FIG. 6

