



US00D713502S

(12) **United States Design Patent**
Nicolia et al.

(10) **Patent No.:** **US D713,502 S**
(45) **Date of Patent:** **** Sep. 16, 2014**

(54) **HOLSTER FOR A HOSE TO A MANUALLY OPERATED SPRAY TANK**

(71) Applicant: **The Fountainhead Group, Inc.**, New York Mills, NY (US)

(72) Inventors: **Jeffrey D. Nicolio**, Oneida, NY (US);
George A. Mitchell, Utica, NY (US);
Andrew C. Clarey, Clinton, NY (US)

(73) Assignee: **The Fountainhead Group, Inc.**, New York Mills, NY (US)

(**) Term: **14 Years**

(21) Appl. No.: **29/461,324**

(22) Filed: **Jul. 22, 2013**

(51) **LOC (10) Cl.** **23-01**

(52) **U.S. Cl.**
USPC **D23/225**

(58) **Field of Classification Search**
USPC D23/213, 223, 225, 226; 239/302, 332,
239/333, 337, 526, 373; 222/465.1, 383.1,
222/383.3, 143, 154, 401; D8/1, 2
See application file for complete search history.

(56) **References Cited**

U.S. PATENT DOCUMENTS

5,755,361 A * 5/1998 Restive et al. 222/209
7,789,275 B2 * 9/2010 Englhard et al. 222/385

D639,388 S * 6/2011 Plantz et al. D23/225
D639,389 S * 6/2011 Plantz et al. D23/225
D639,908 S * 6/2011 Davis et al. D23/225
D647,999 S * 11/2011 Hudson et al. D23/225
D664,236 S * 7/2012 Hudson et al. D23/225
D670,788 S * 11/2012 Plantz et al. D23/225
8,672,364 B2 * 3/2014 Schrum et al. 285/33

* cited by examiner

Primary Examiner — Robin V Webster

(74) *Attorney, Agent, or Firm* — George R. McGuire; Bond Schoeneck & King, PLLC

(57) **CLAIM**

The ornamental design for a holster for a hose to a manually operated spray tank, as shown and described.

DESCRIPTION

FIG. 1 is a first perspective view of a new and ornamental design for a holster for a hose to a manually operated spray tank, with the spray tank being shown in phantom lines for environmental purposes only and forms no part of the claimed design;

FIG. 2 is a front elevation view thereof;

FIG. 3 is a rear elevation view thereof;

FIG. 4 is a first side elevation view thereof;

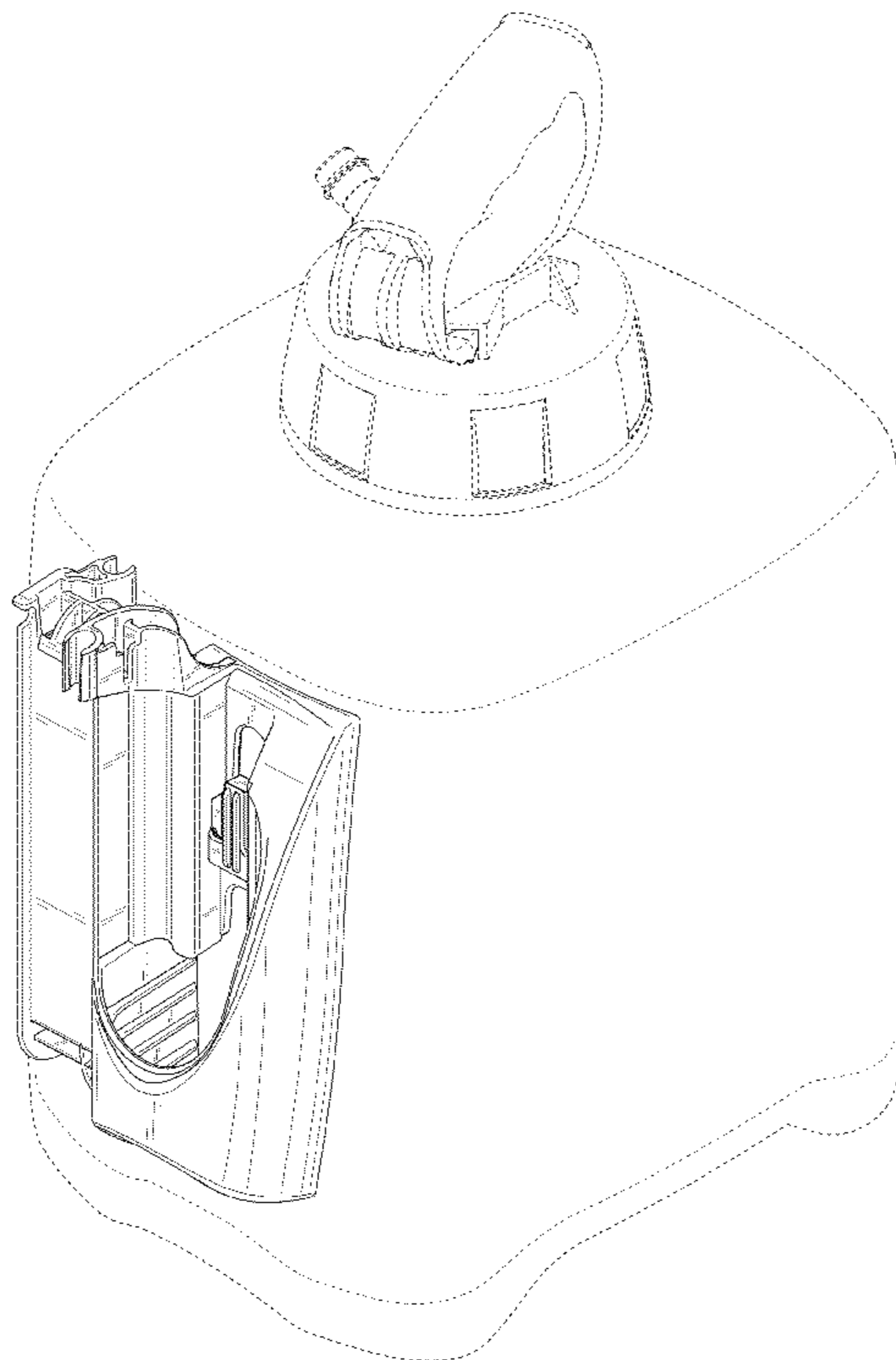
FIG. 5 is a second side elevation view thereof;

FIG. 6 is a top plan view thereof;

FIG. 7 is a bottom plan view thereof; and,

FIG. 8 is a second perspective view thereof with the spray tank, hose and trigger all being shown in phantom lines for environmental purposes only and forms no part of the claimed design.

1 Claim, 8 Drawing Sheets



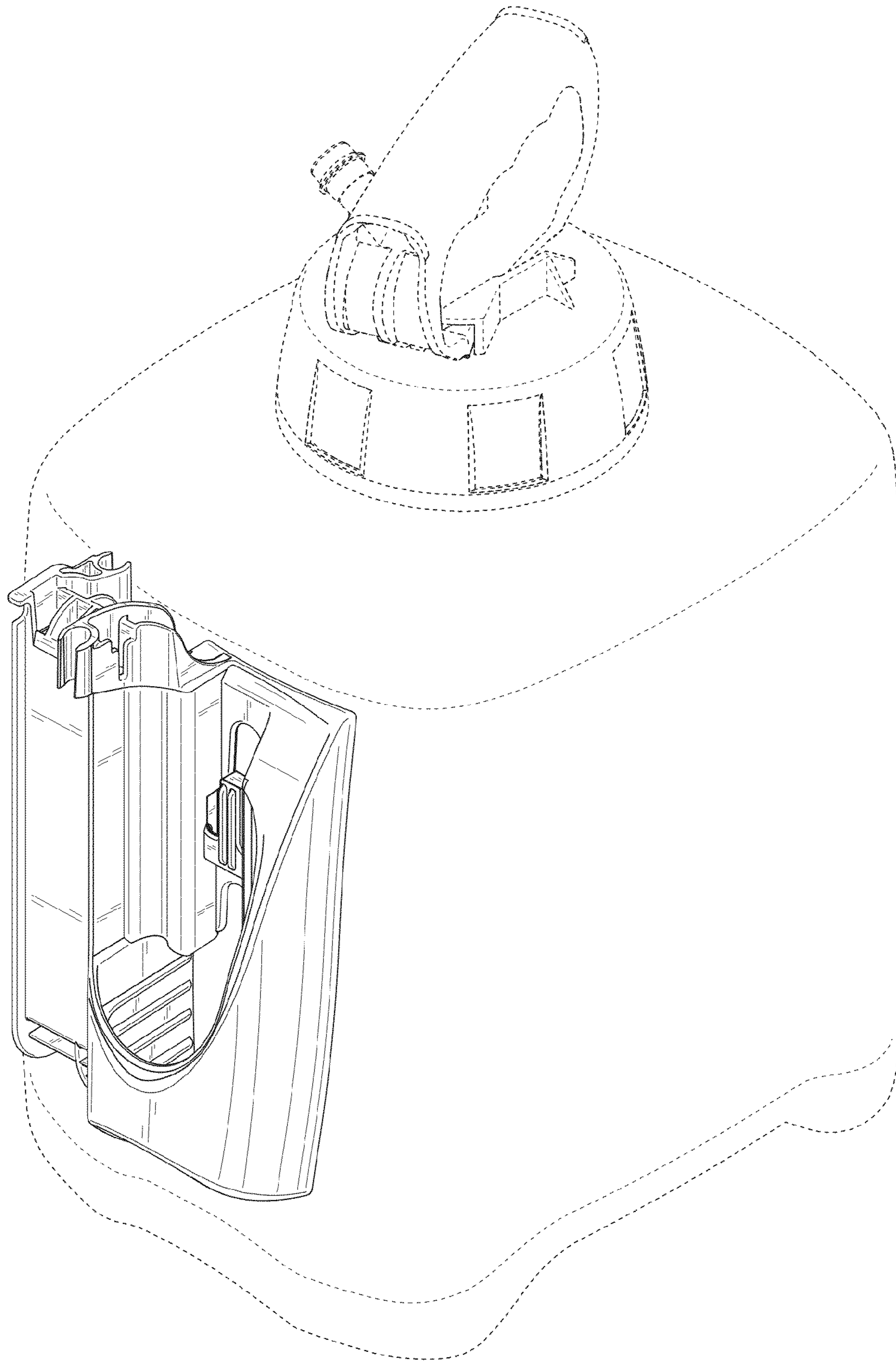


FIG. 1

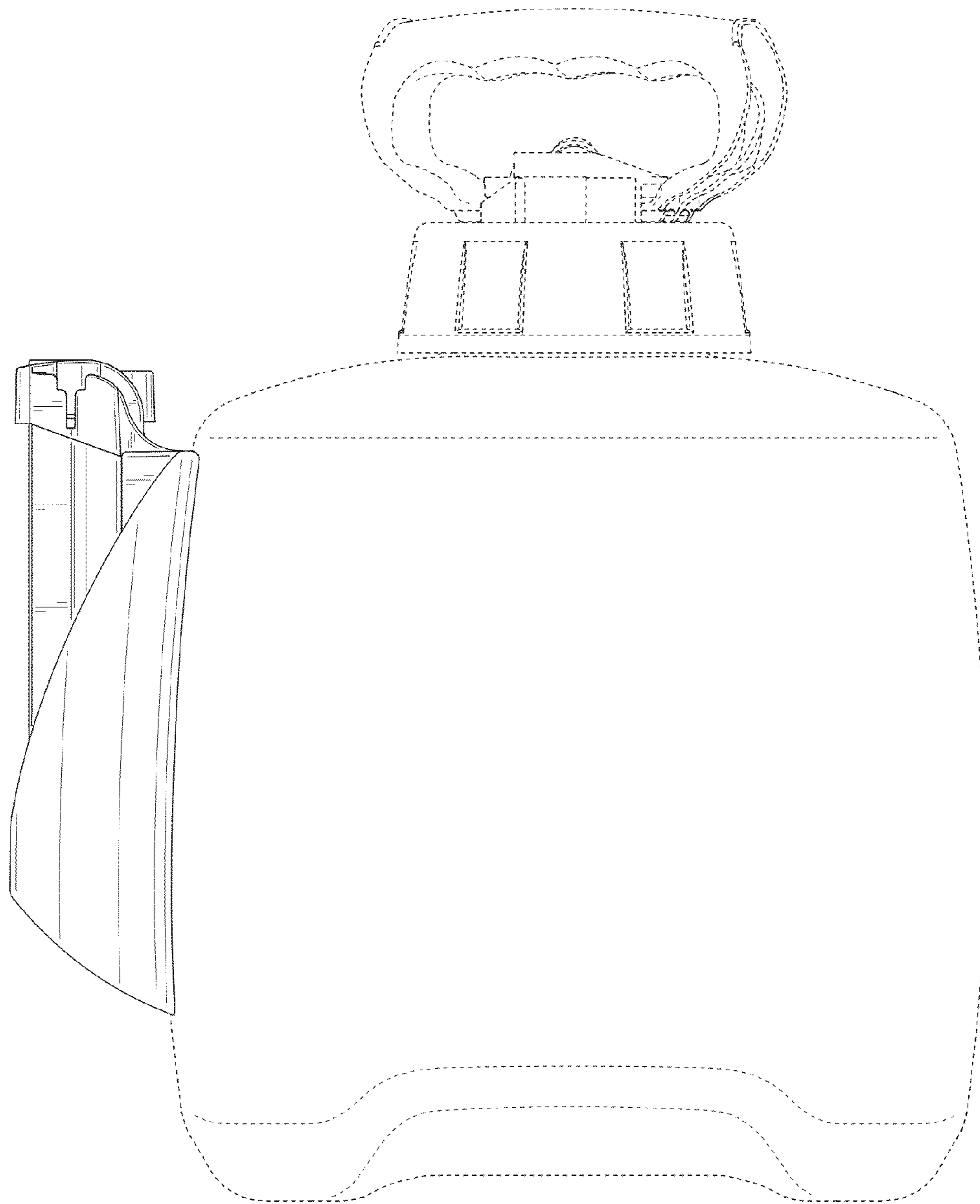


FIG. 2

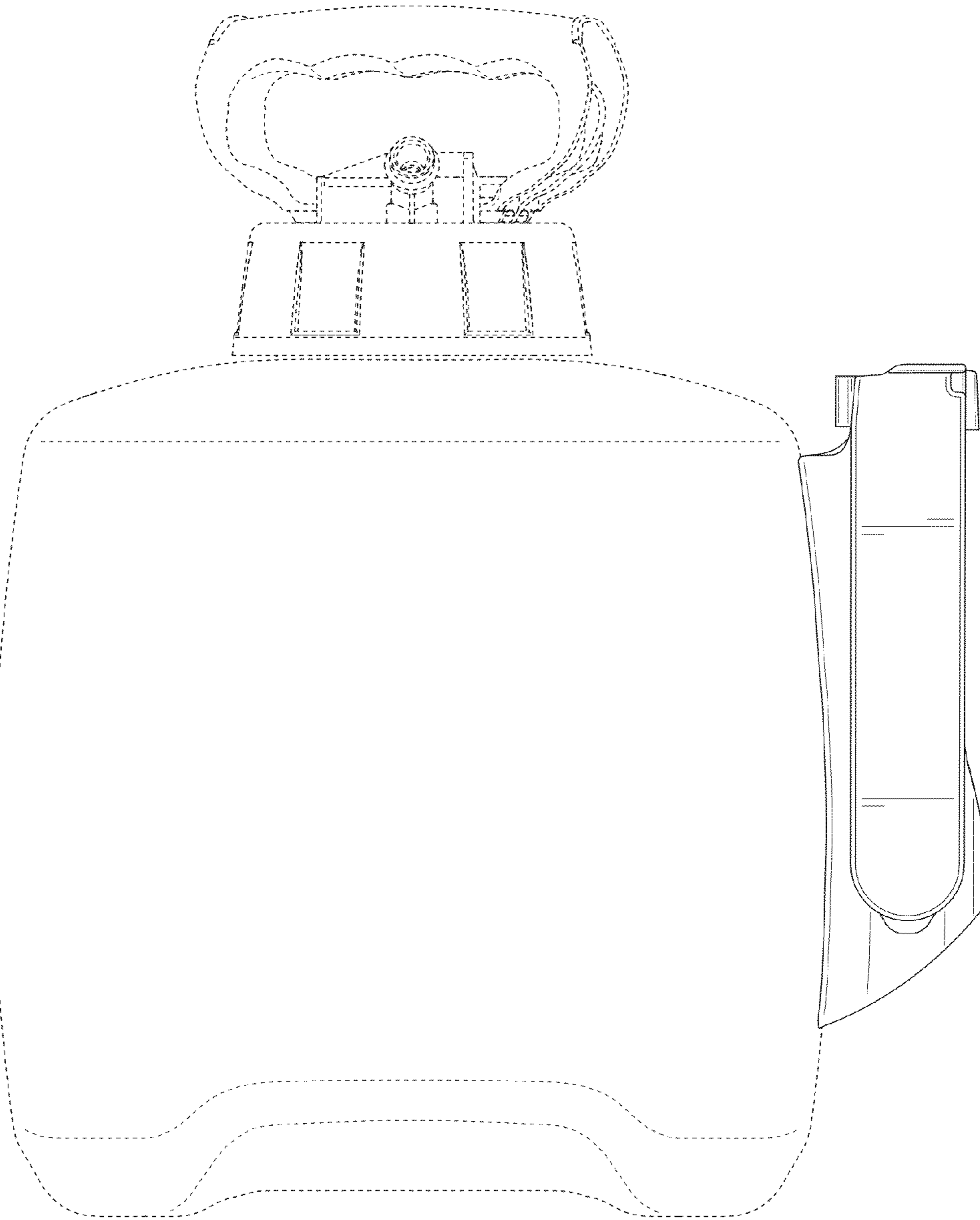


FIG. 3

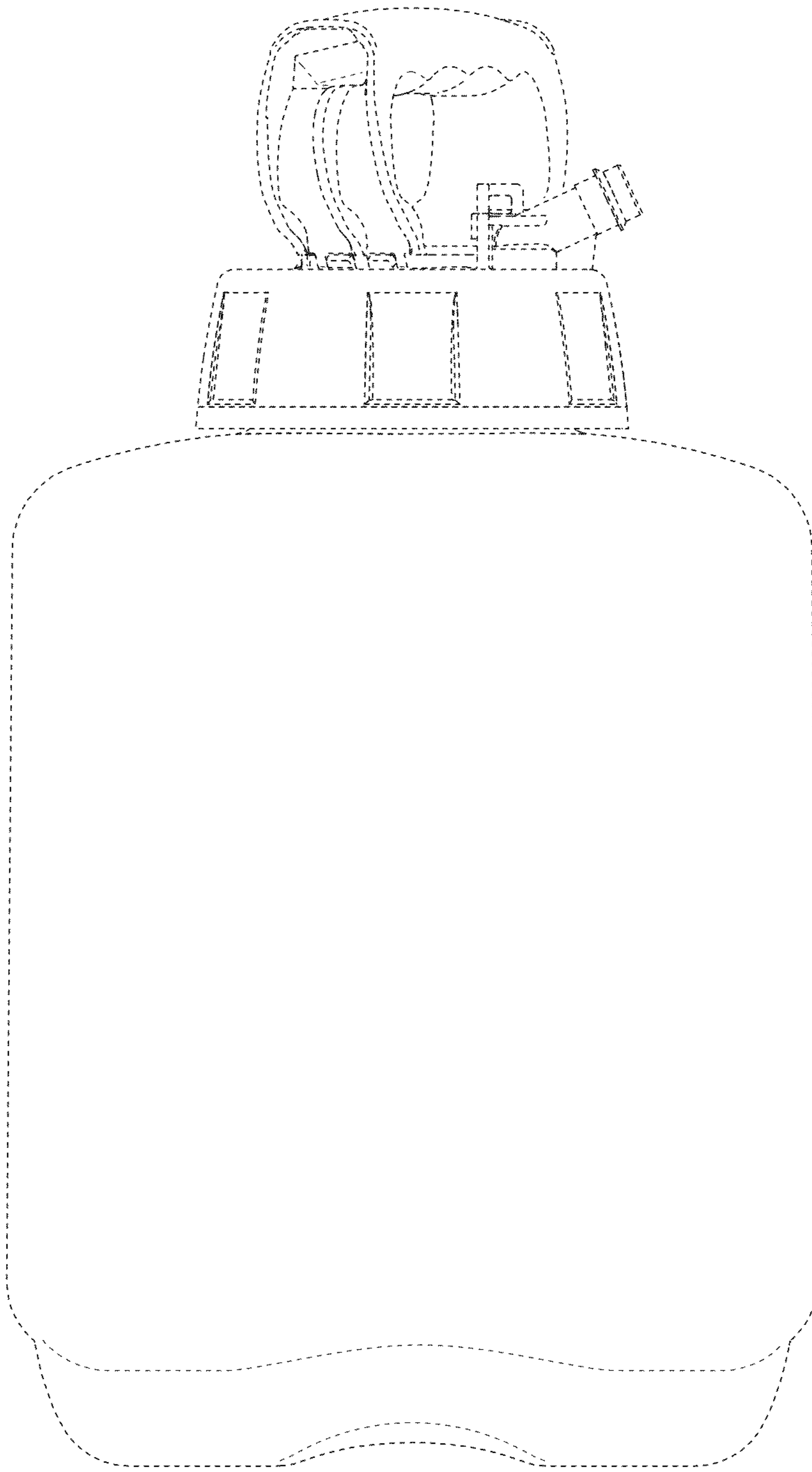


FIG. 4

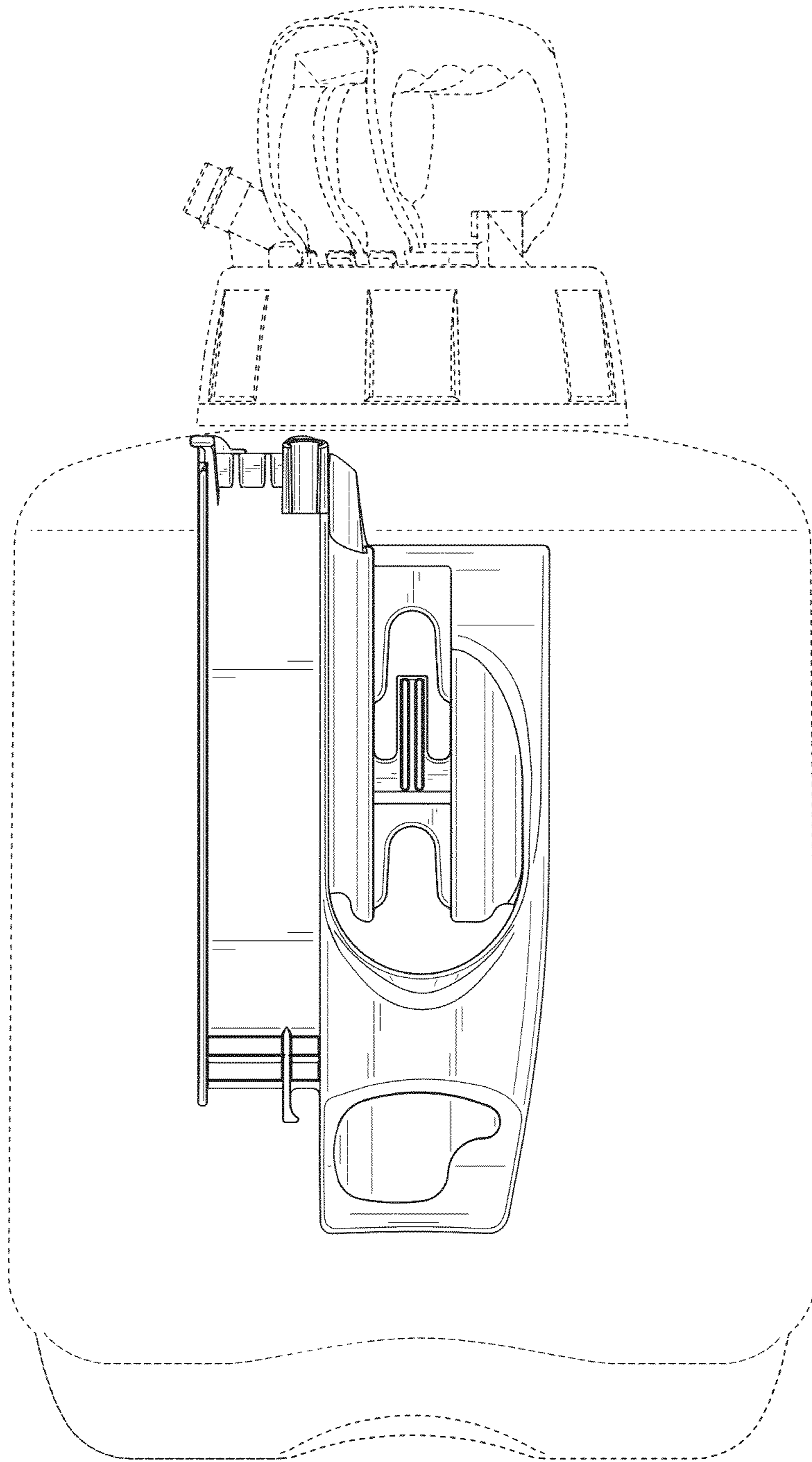


FIG. 5

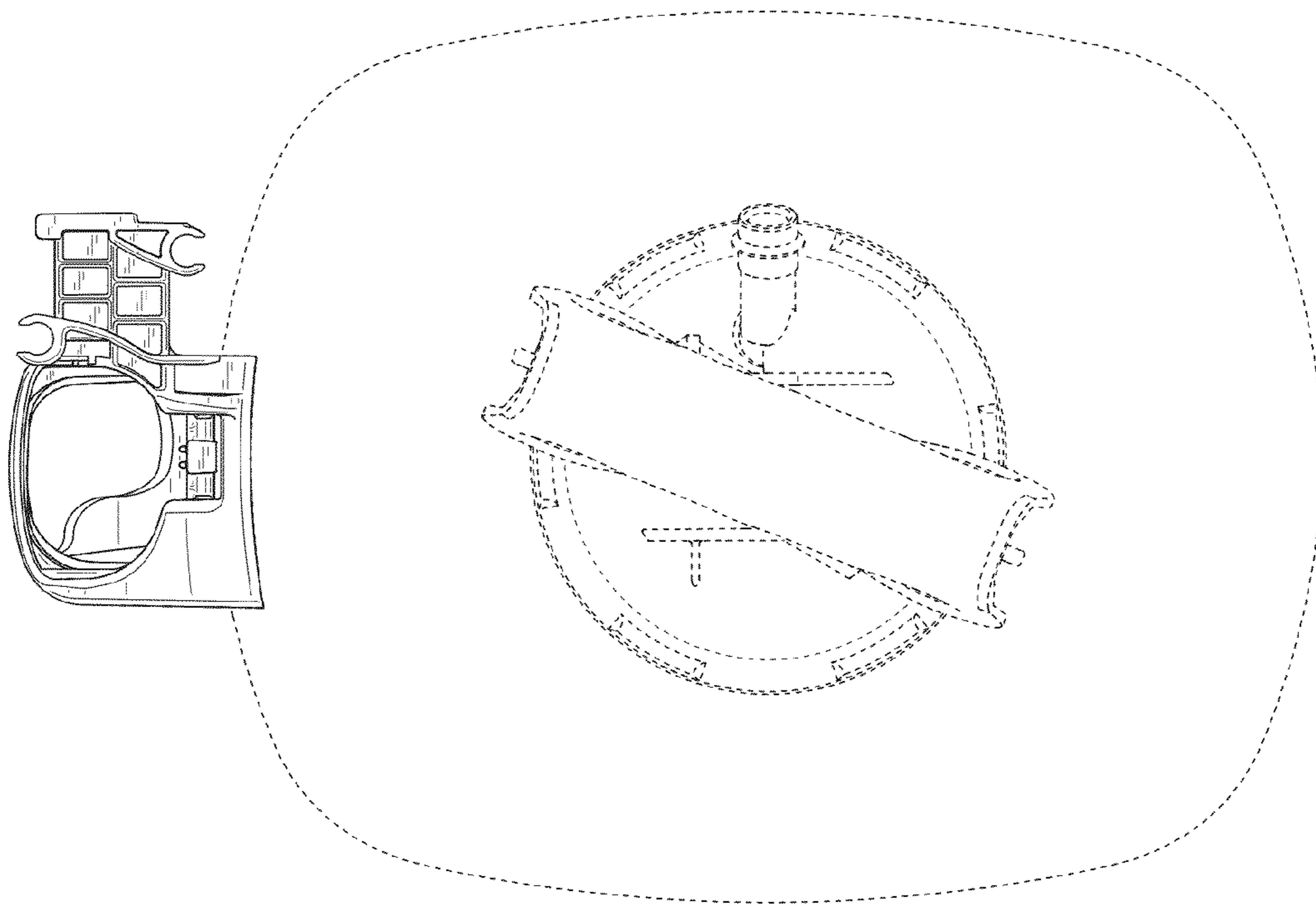


FIG. 6

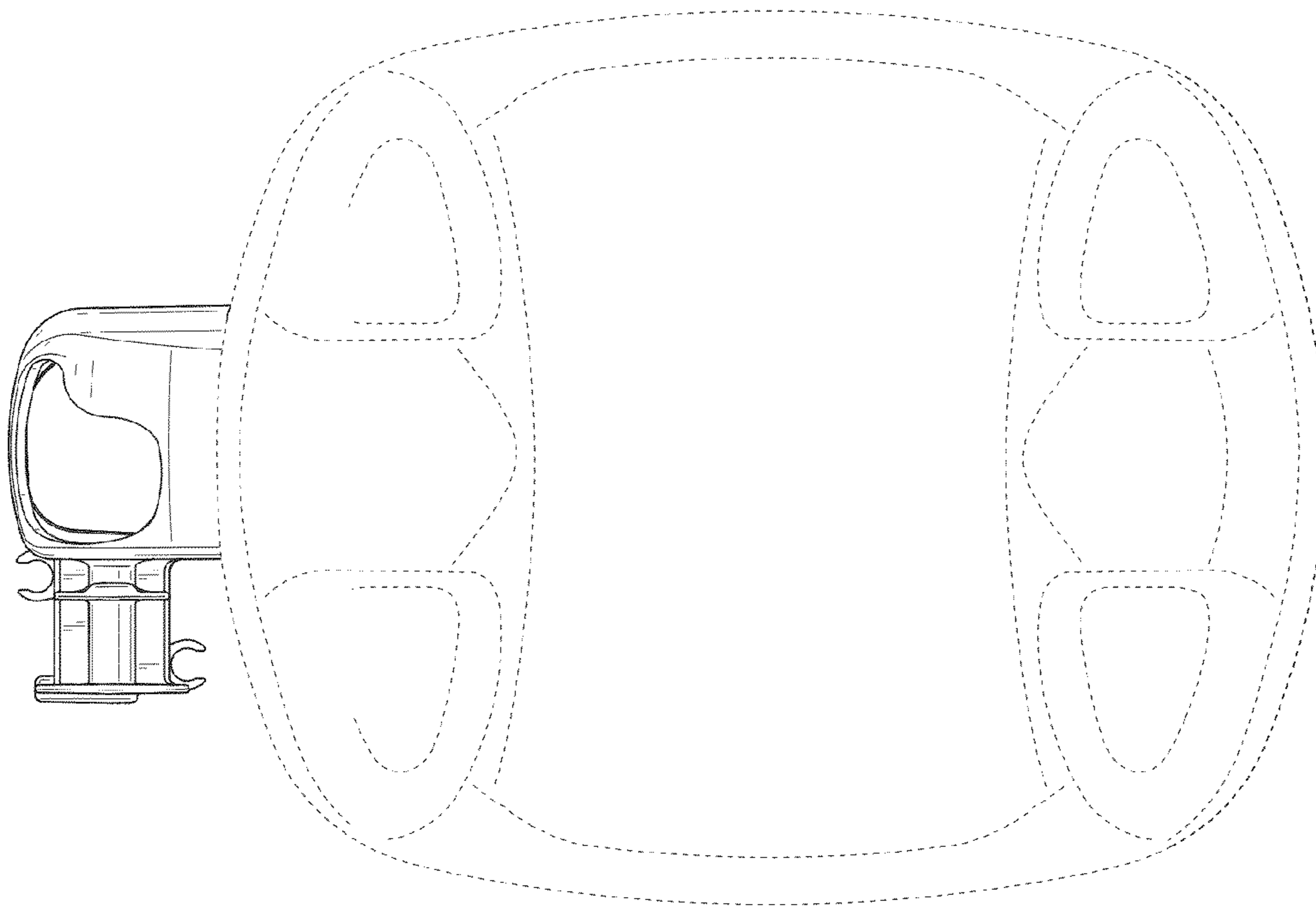


FIG. 7

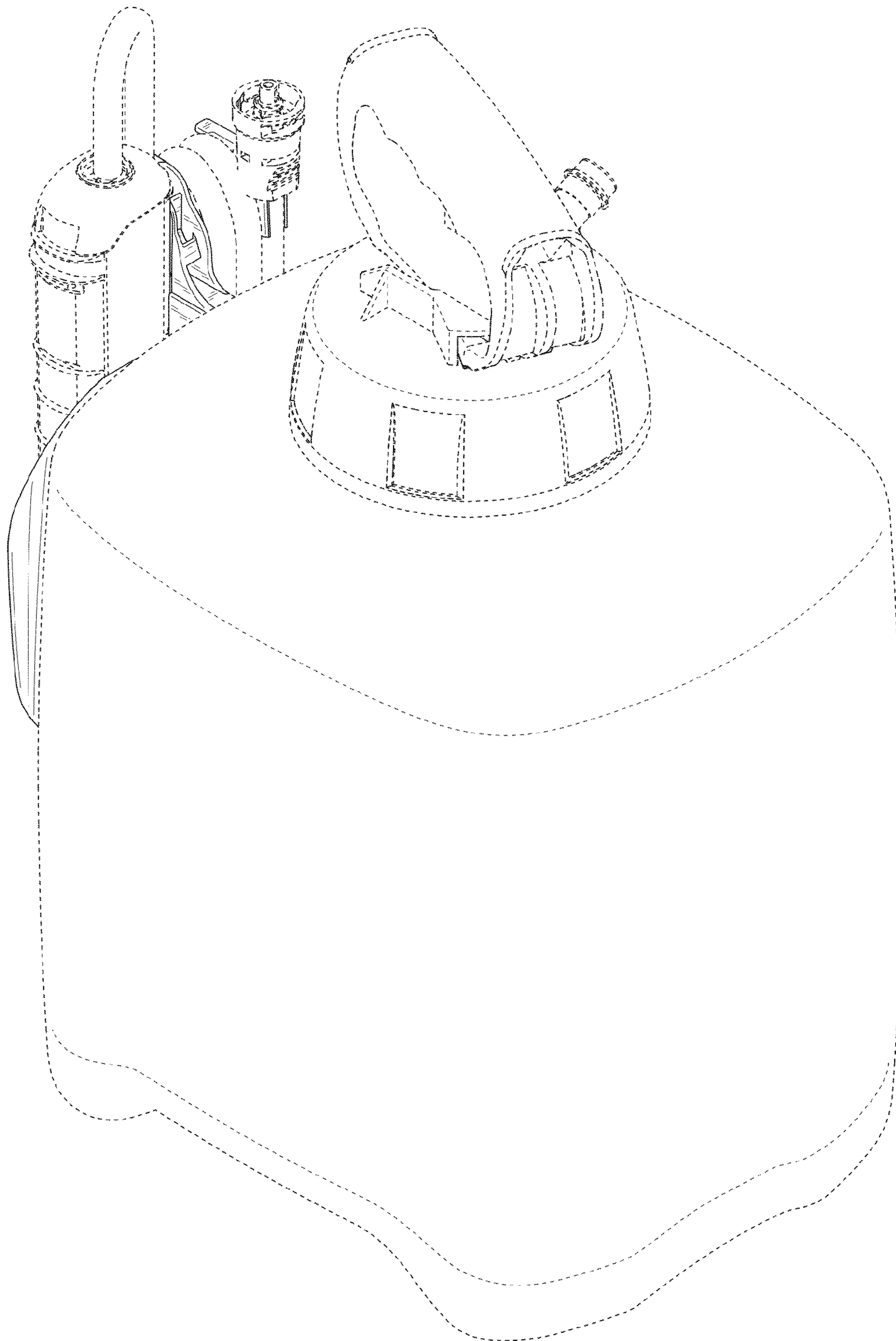


FIG. 8