



US00D713501S

(12) **United States Design Patent**  
**Nicolia et al.**

(10) **Patent No.:** **US D713,501 S**  
(45) **Date of Patent:** **\*\* Sep. 16, 2014**

(54) **MANUALLY OPERATED SPRAY TANK**

(71) Applicant: **The Fountainhead Group, Inc.**, New York Mills, NY (US)

(72) Inventors: **Jeffrey D. Nicolia**, Oneida, NY (US);  
**George A. Mitchell**, Utica, NY (US);  
**Andrew C. Clarey**, Clinton, NY (US)

(73) Assignee: **The Fountainhead Group, Inc.**, New York Mills, NY (US)

(\*\*) Term: **14 Years**

(21) Appl. No.: **29/461,164**

(22) Filed: **Jul. 19, 2013**

(51) **LOC (10) Cl.** ..... **23-01**

(52) **U.S. Cl.**  
USPC ..... **D23/225**

(58) **Field of Classification Search**  
USPC ..... D23/213, 223, 225, 226; 239/302, 308,  
239/310, 332, 333, 337, 526, 373;  
222/465.1, 383.1, 383.3, 143, 154,  
222/401; D8/1, 2

See application file for complete search history.

(56) **References Cited**

**U.S. PATENT DOCUMENTS**

5,755,361 A \* 5/1998 Restive et al. .... 222/209  
7,789,275 B2 \* 9/2010 Englhard et al. .... 222/385

D639,388 S \* 6/2011 Plantz et al. .... D23/225  
D639,389 S \* 6/2011 Plantz et al. .... D23/225  
D639,908 S \* 6/2011 Davis et al. .... D23/225  
D647,999 S \* 11/2011 Hudson et al. .... D23/225  
D664,236 S \* 7/2012 Hudson et al. .... D23/225  
D670,788 S \* 11/2012 Plantz et al. .... D23/225  
8,672,364 B2 \* 3/2014 Schrum et al. .... 285/33

\* cited by examiner

*Primary Examiner* — Robin V Webster

(74) *Attorney, Agent, or Firm* — George R. McGuire; Bond Schoeneck & King, PLLC

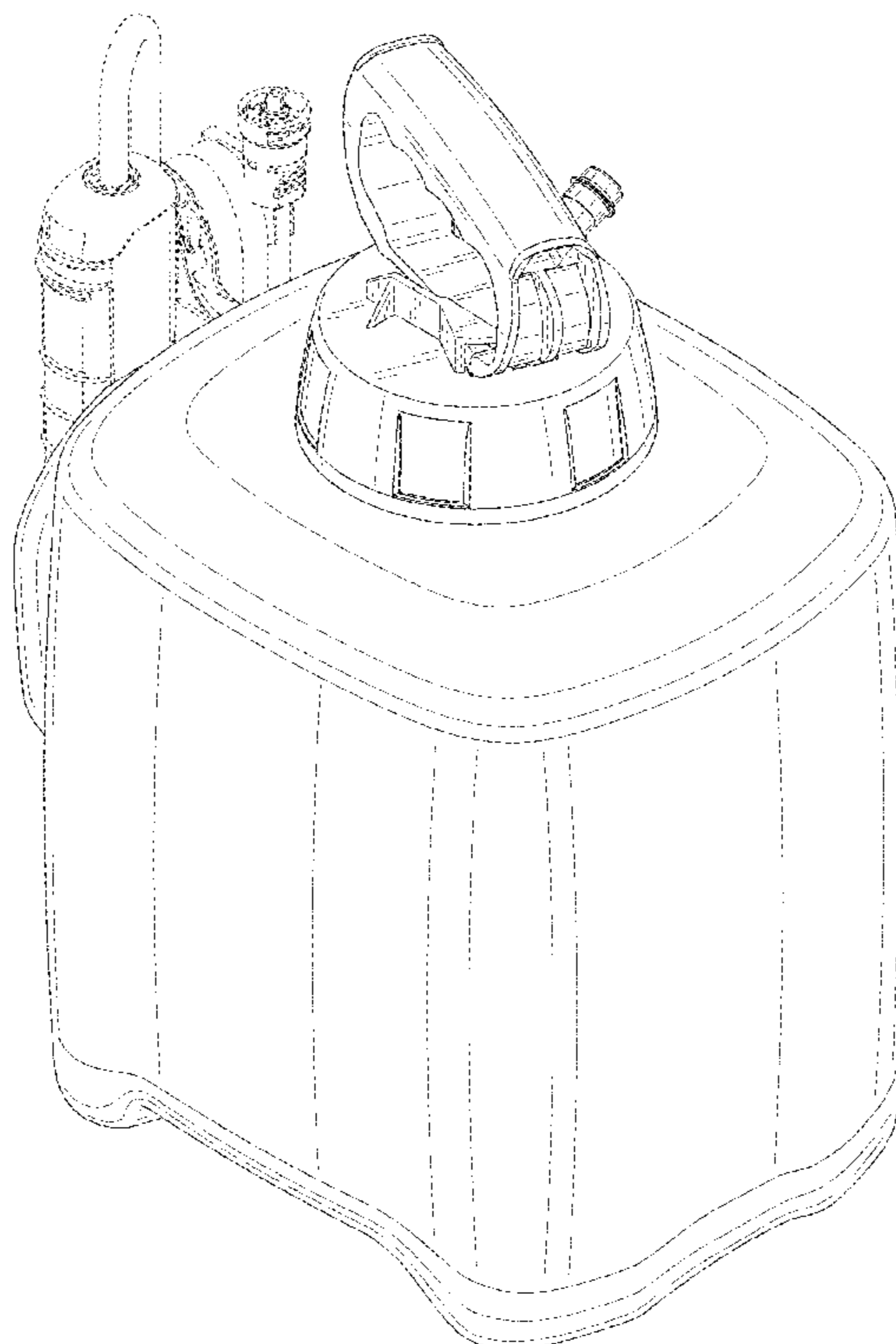
(57) **CLAIM**

The ornamental design for a manually operated spray tank, as shown and described.

**DESCRIPTION**

FIG. 1 is a perspective view of a new and ornamental design for a manually operated spray tank, the sprayer hose, trigger, nozzle and holster being shown in phantom lines for environmental purposes only and forms no part of the claimed design; FIG. 2 is a front elevation view thereof; FIG. 3 is a rear elevation view thereof; FIG. 4 is a first side elevation view thereof; FIG. 5 is a second side elevation view thereof; FIG. 6 is a top plan view thereof; and, FIG. 7 is a bottom plan view thereof.

**1 Claim, 7 Drawing Sheets**



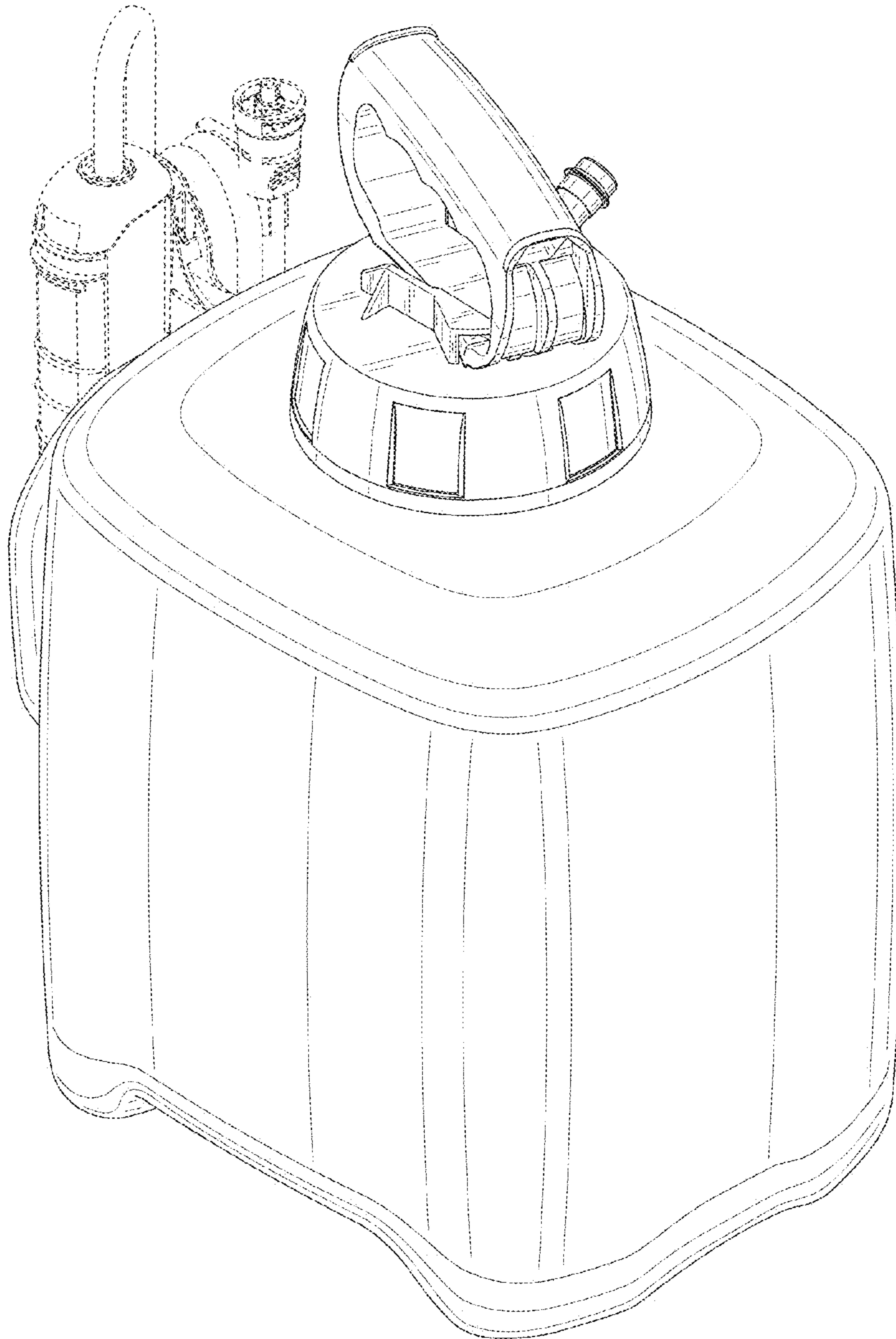


FIG. 1

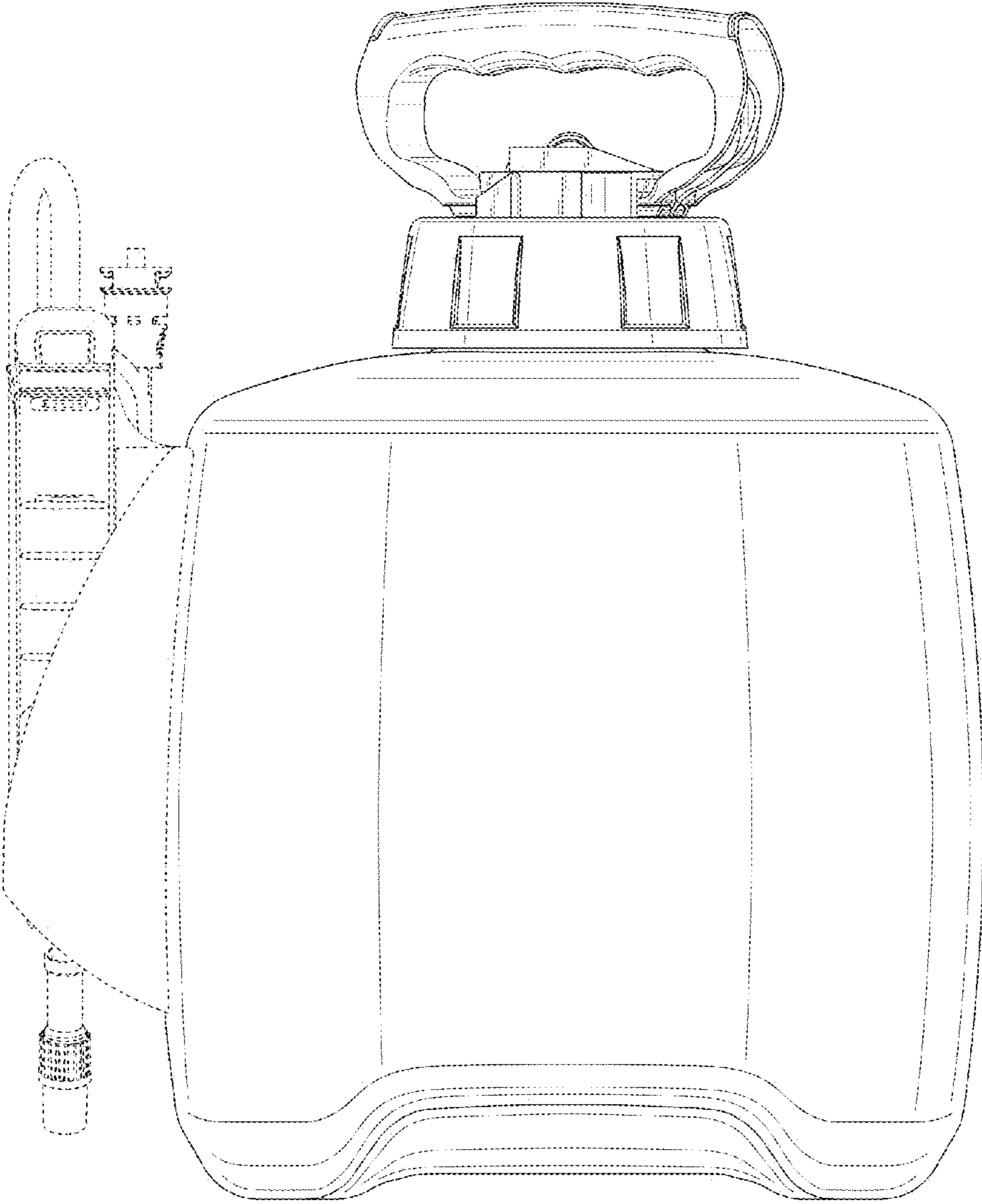


FIG. 2

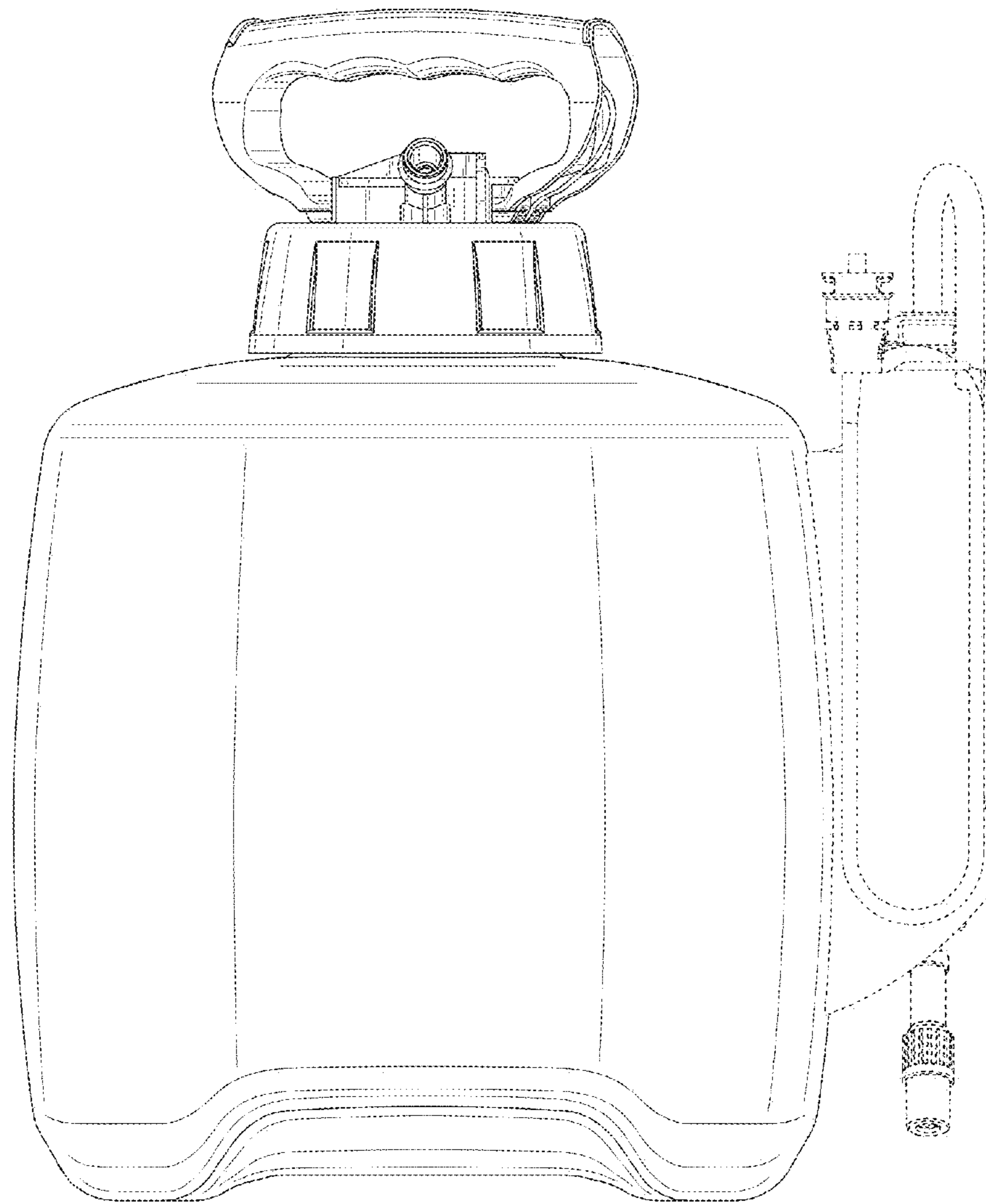


FIG. 3

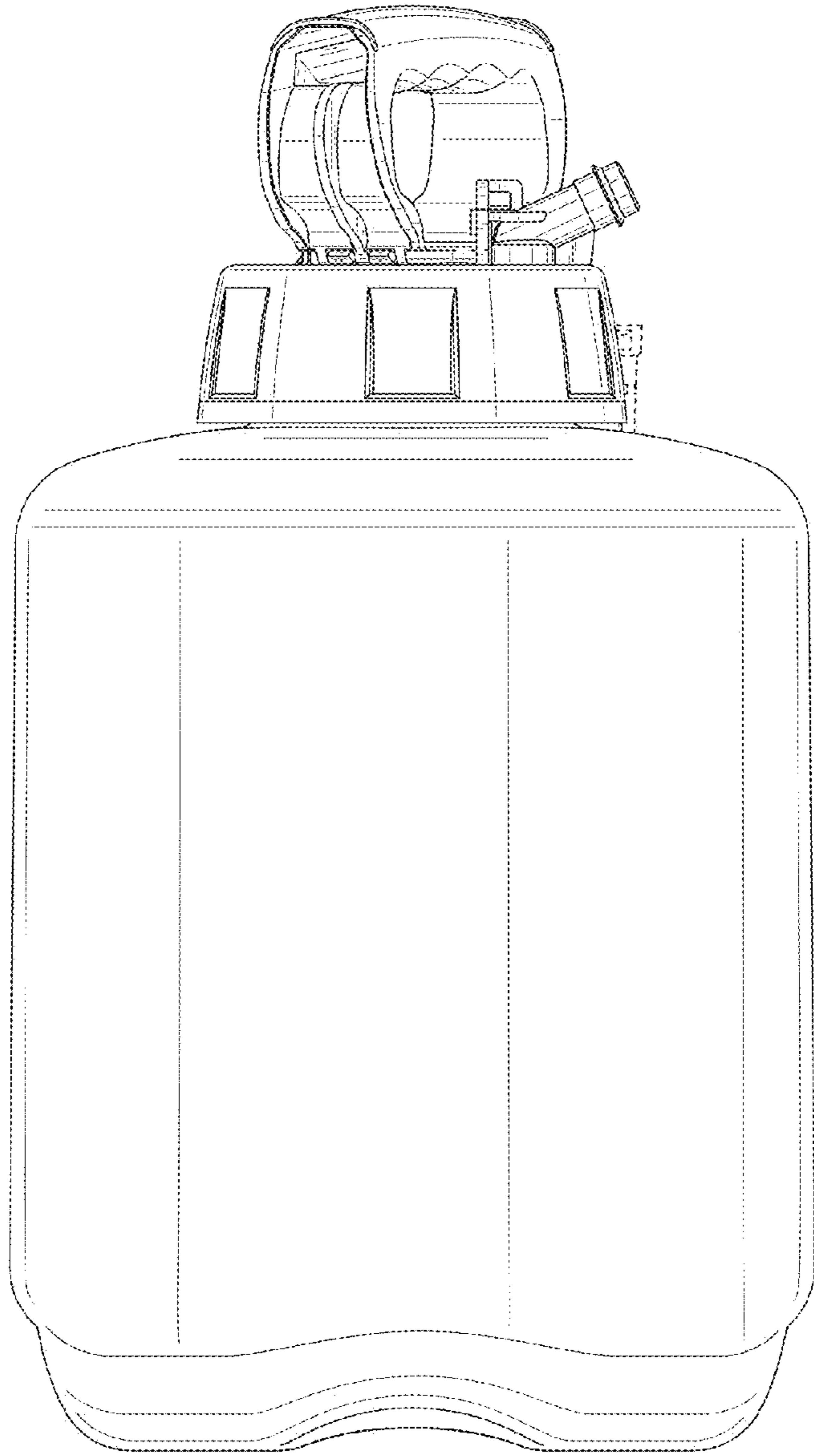


FIG. 4

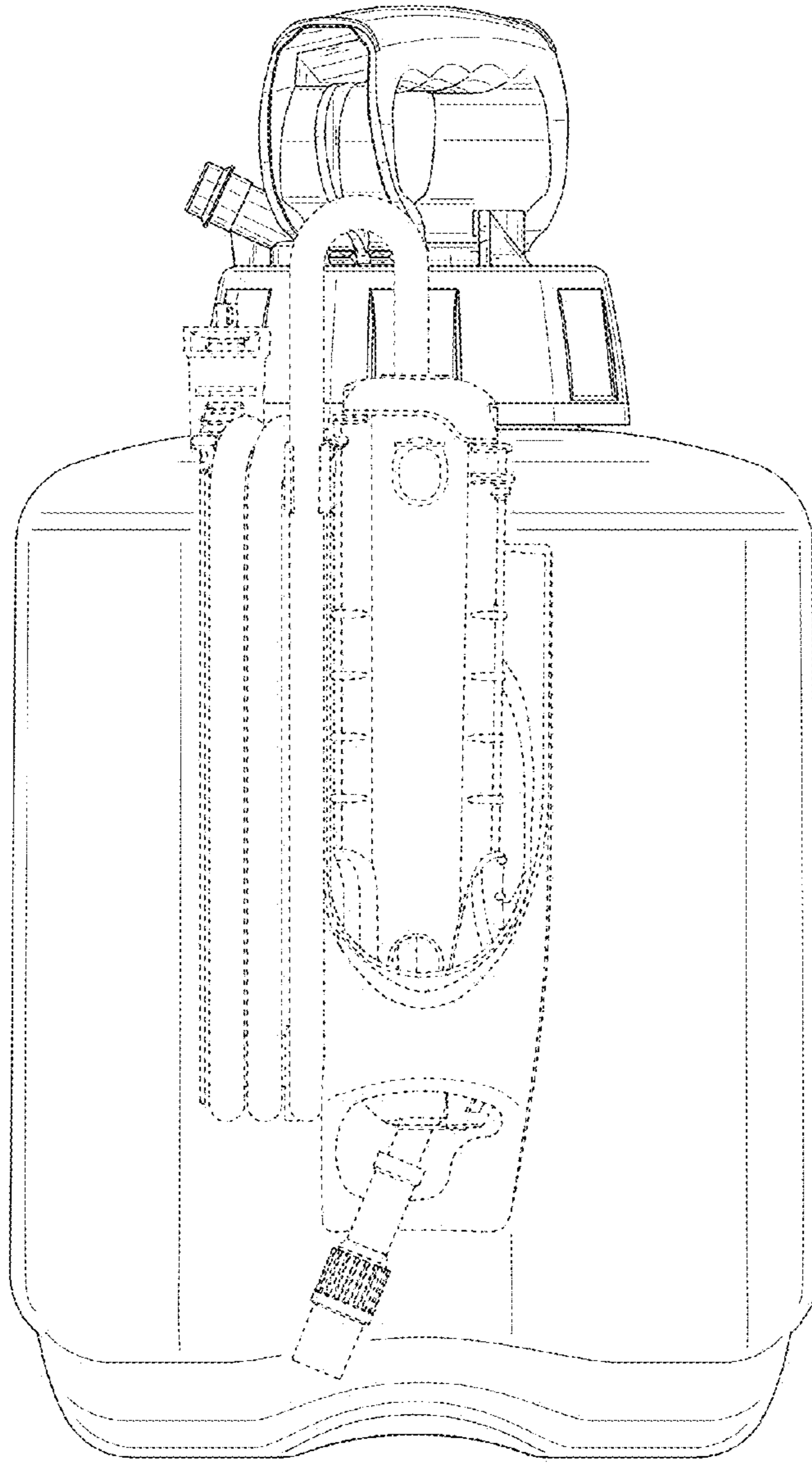


FIG. 5

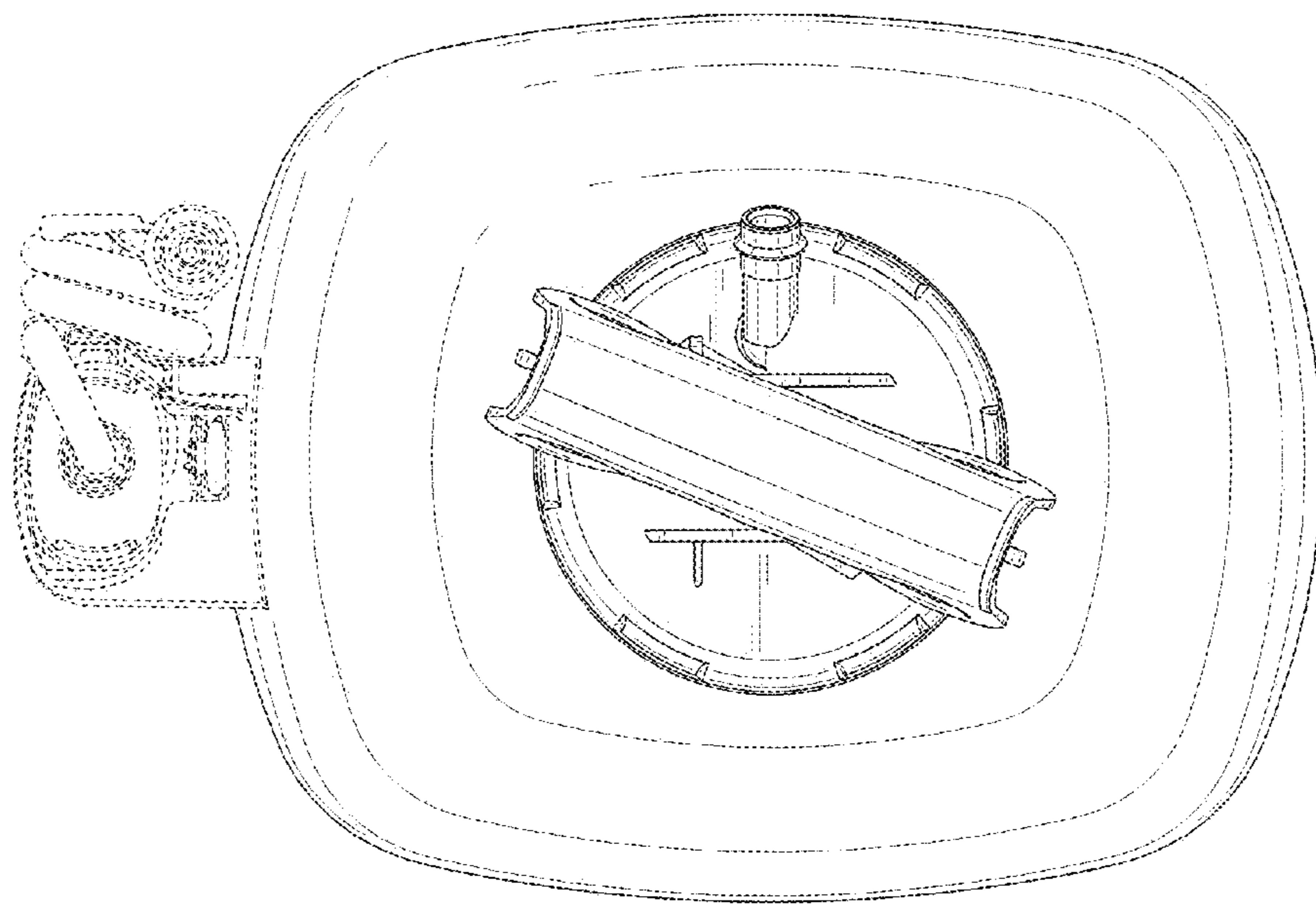


FIG. 6

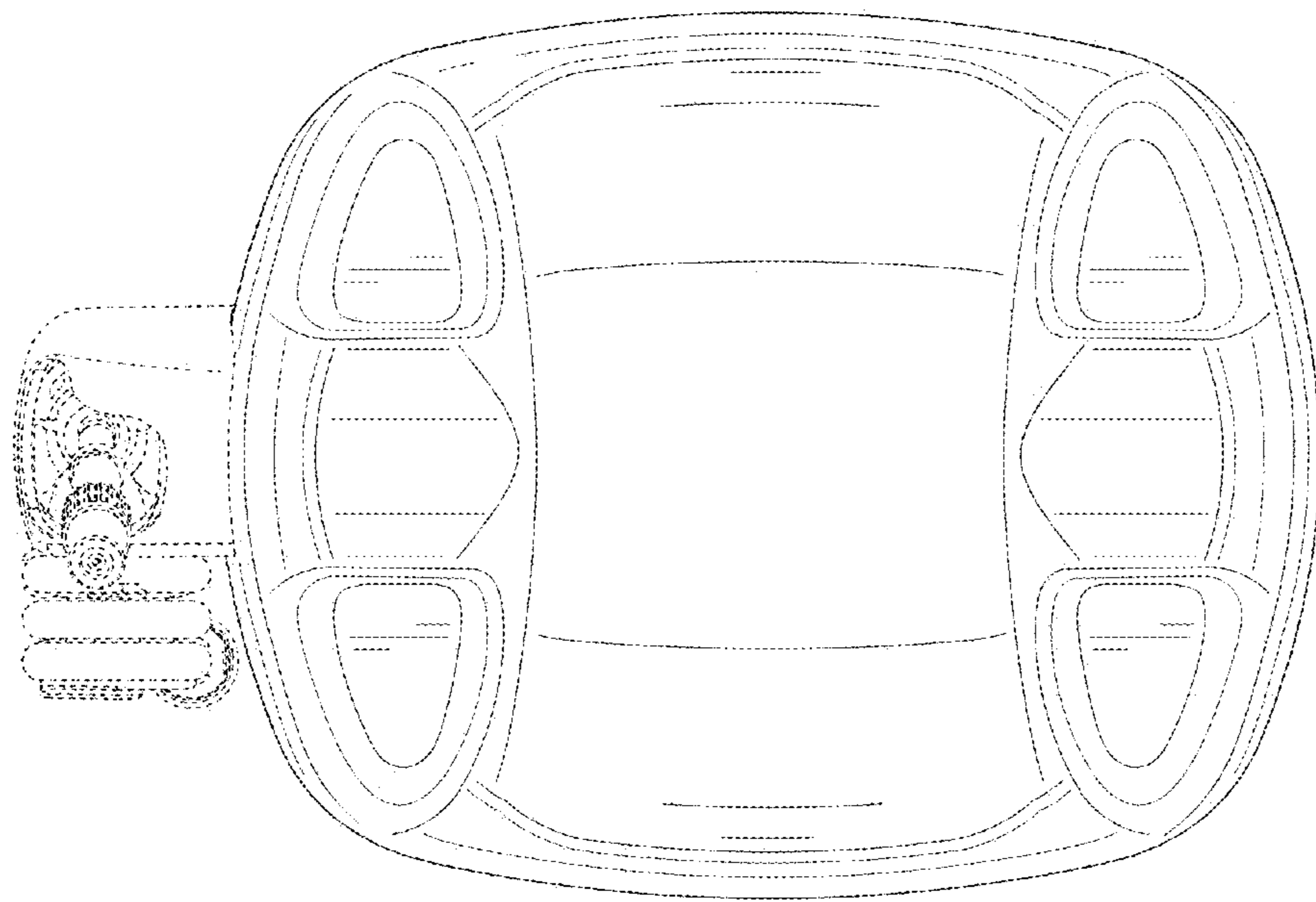


FIG. 7