



US00D713500S

(12) **United States Design Patent**
Muhl et al.

(10) **Patent No.:** **US D713,500 S**

(45) **Date of Patent:** **** Sep. 16, 2014**

(54) **SPRAY GUN FOR PAINT**

(56) **References Cited**

(71) Applicant: **J. Wagner GmbH**, Markdorf (DE)

U.S. PATENT DOCUMENTS

(72) Inventors: **Till Muhl**, Hamburg (DE); **Heiko Tullney**, Hamburg (DE); **Hermann Probst**, Ravensburg (DE)

D503,213	S	*	3/2005	Stevens et al.	D23/225
D519,603	S	*	4/2006	Schumann et al.	D23/225
D660,941	S	*	5/2012	Perez et al.	D23/225
D666,693	S	*	9/2012	Perez	D23/225
8,267,332	B1	*	9/2012	Jones et al.	239/463
8,308,083	B2	*	11/2012	Woodgate et al.	239/297
D672,434	S	*	12/2012	Perez	D23/225
D693,428	S	*	11/2013	Tullney et al.	D23/225

(73) Assignee: **J. Wagner GmbH**, Markdorf (DE)

* cited by examiner

(**) Term: **14 Years**

Primary Examiner — Robin V Webster

(21) Appl. No.: **29/457,391**

(74) *Attorney, Agent, or Firm* — Burr & Brown, PLLC

(22) Filed: **Jun. 10, 2013**

(57) **CLAIM**

The ornamental design for a spray gun for paint, as shown and described.

(30) **Foreign Application Priority Data**

DESCRIPTION

Dec. 14, 2012 (EM) 002153262

(51) **LOC (10) Cl.** **23-01**

(52) **U.S. Cl.**

USPC **D23/225**

(58) **Field of Classification Search**

USPC D23/213, 223, 225, 226; 239/302, 332, 239/333, 337, 526, 373; 222/465.1, 383.1, 222/383.3, 143, 154; D8/1, 2

FIG. 1 is a front perspective view of a paint spraying device illustrating our new design;

FIG. 2 is a rear perspective view thereof;

FIG. 3 is a left side view thereof;

FIG. 4 is a right side view thereof;

FIG. 5 is a front view thereof;

FIG. 6 is a rear view thereof;

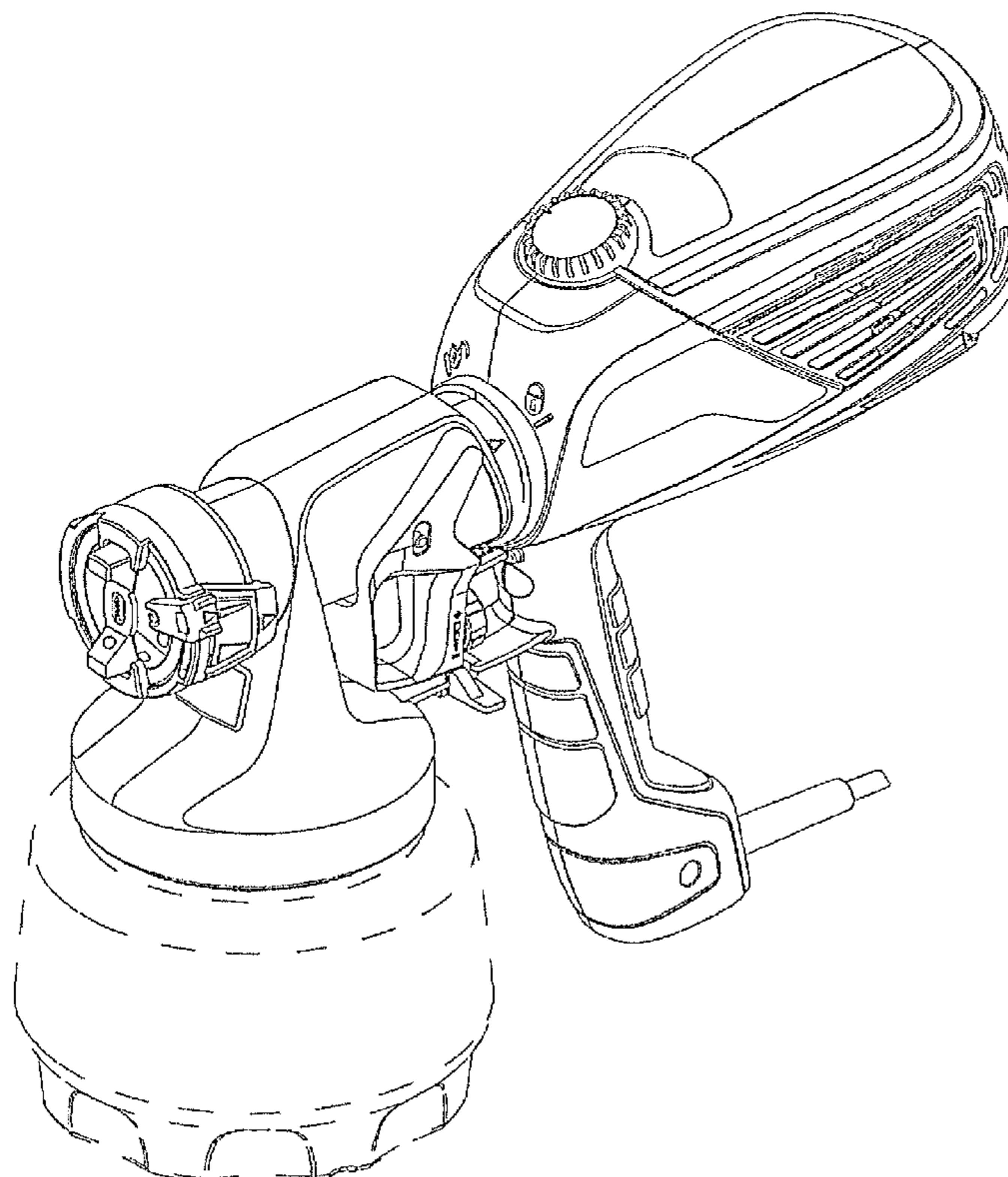
FIG. 7 is a top view thereof; and,

FIG. 8 is a bottom view thereof.

The broken line showing is included for the purpose of illustrating and forms no part of the claimed design.

See application file for complete search history.

1 Claim, 8 Drawing Sheets



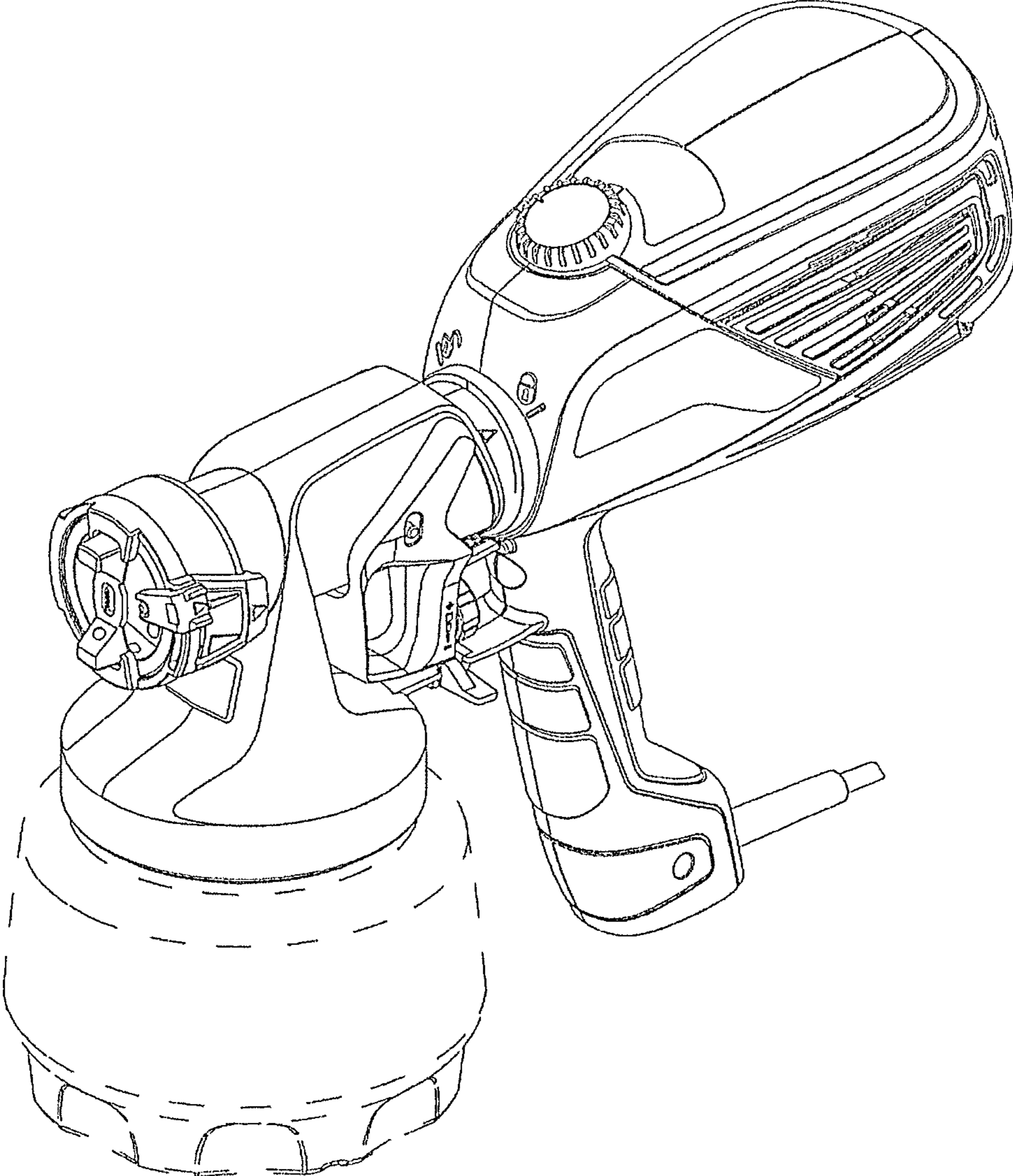


FIG. 1

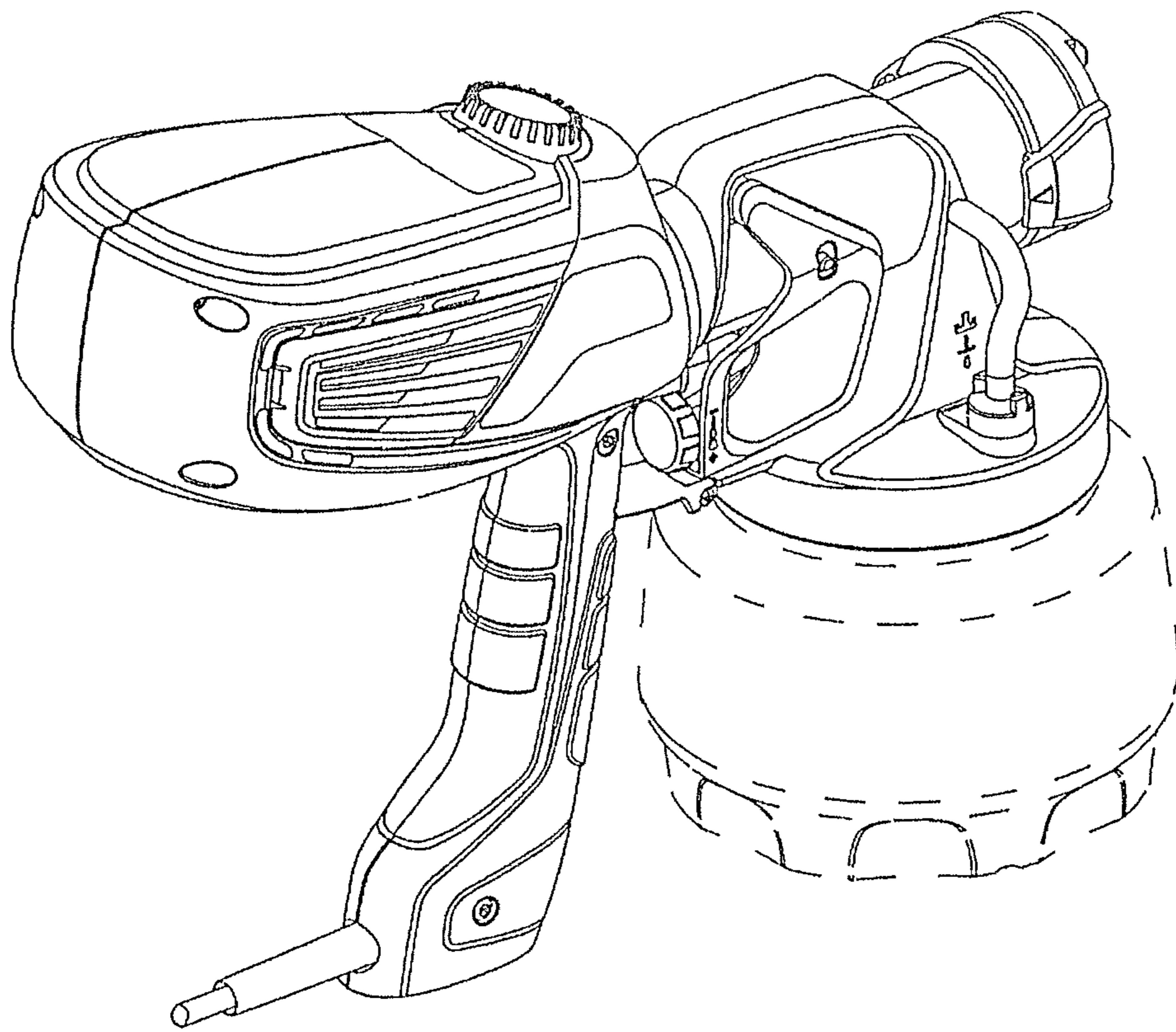


FIG. 2

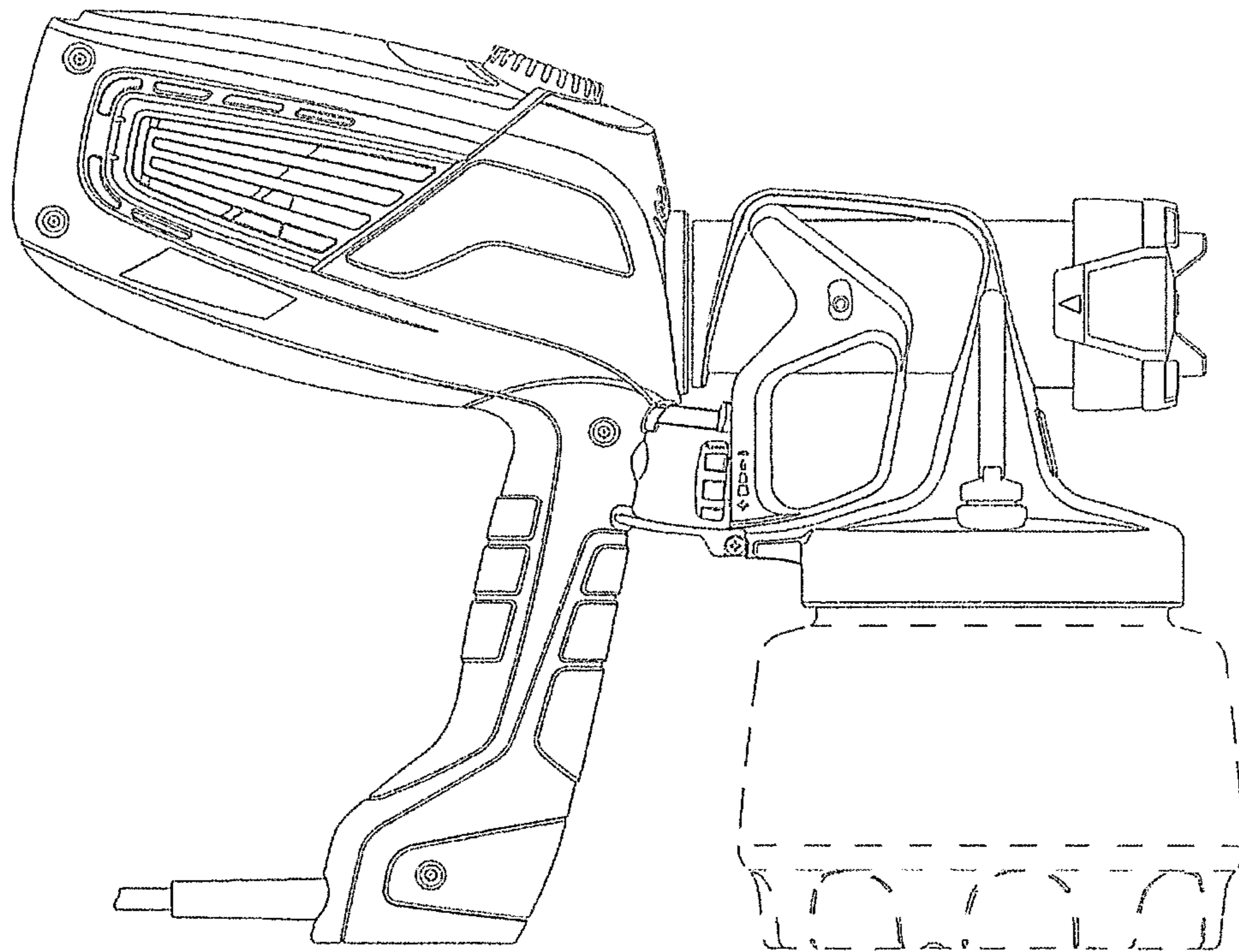


FIG. 3

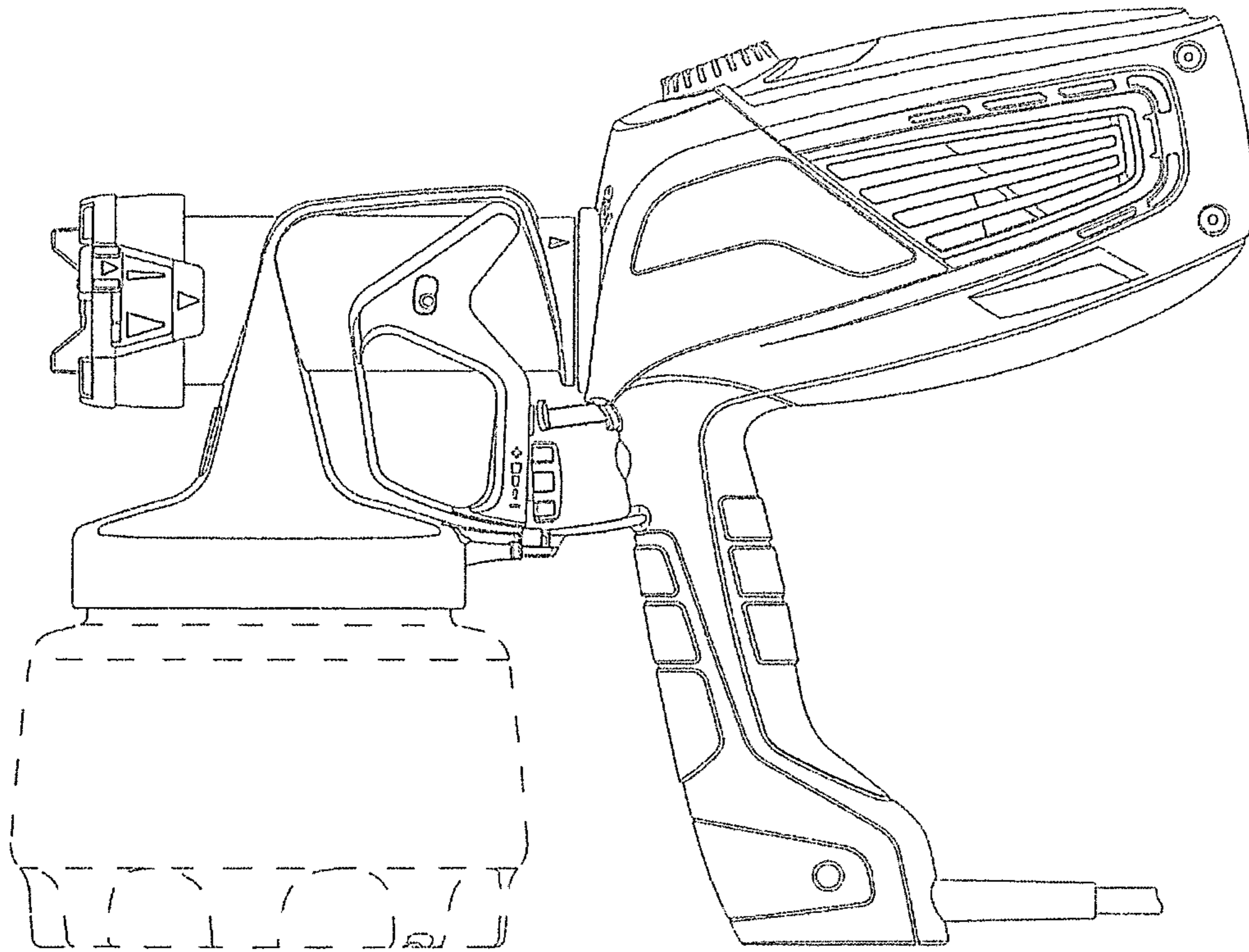


FIG. 4

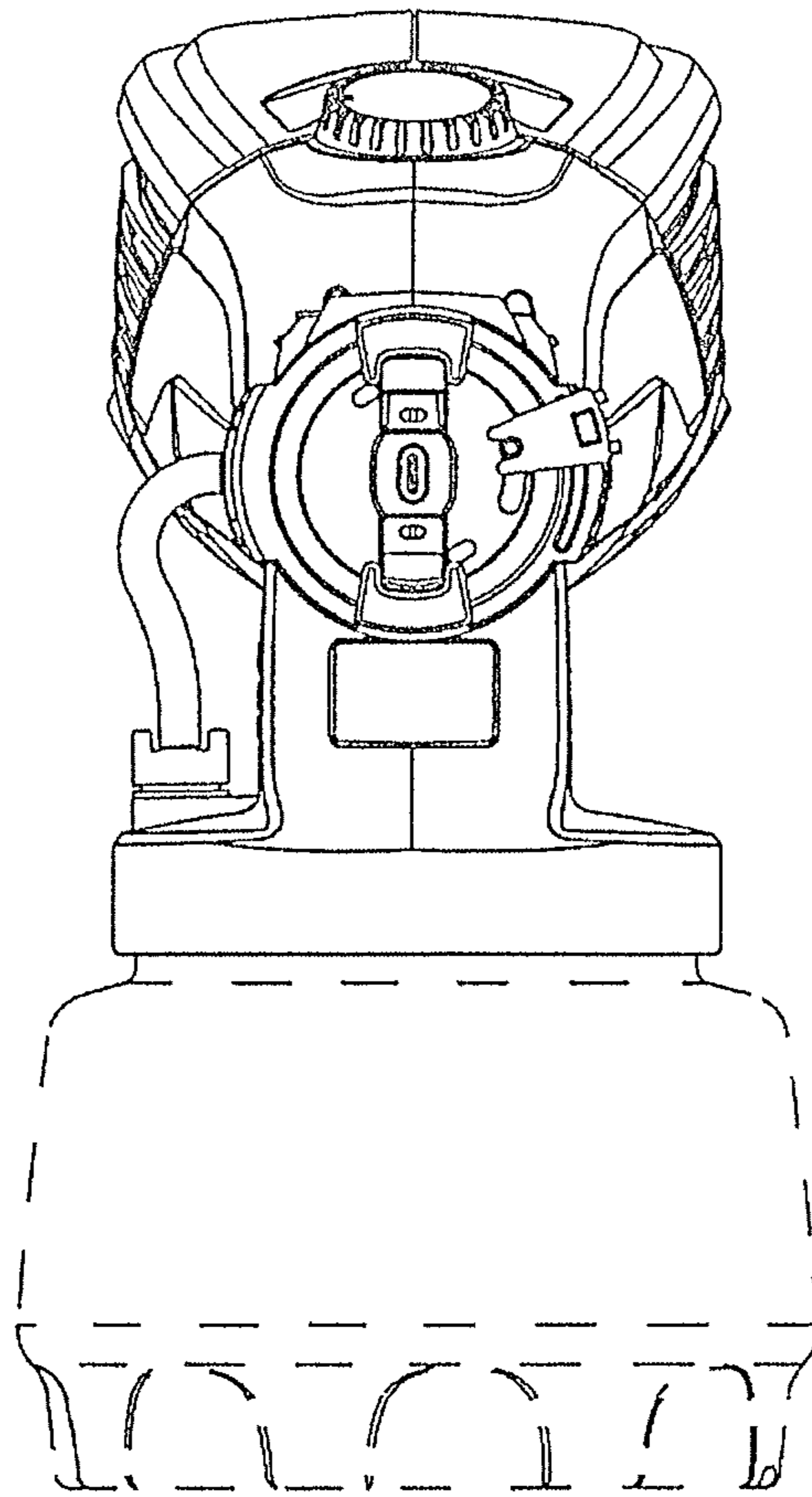


FIG. 5

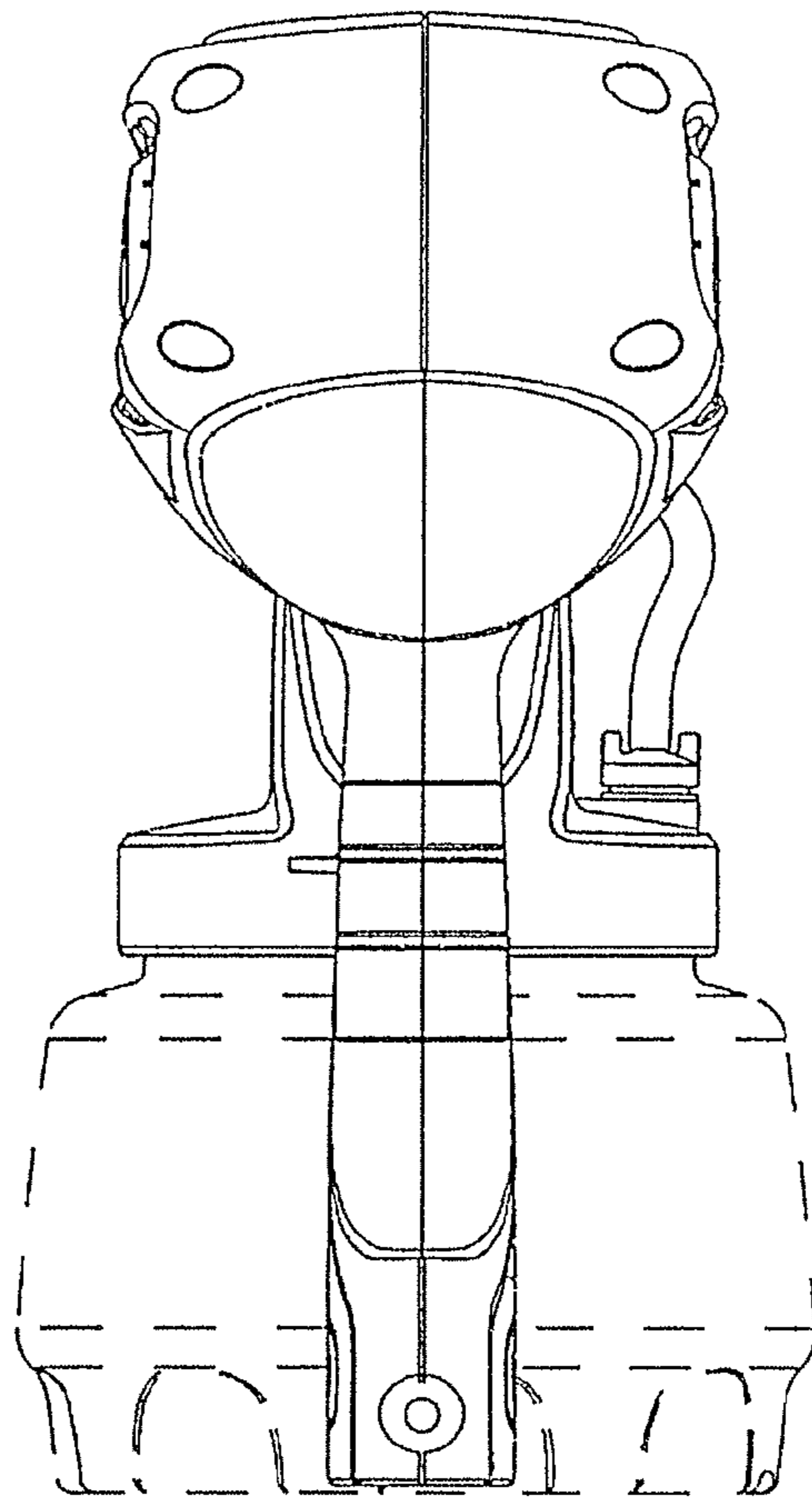


FIG. 6

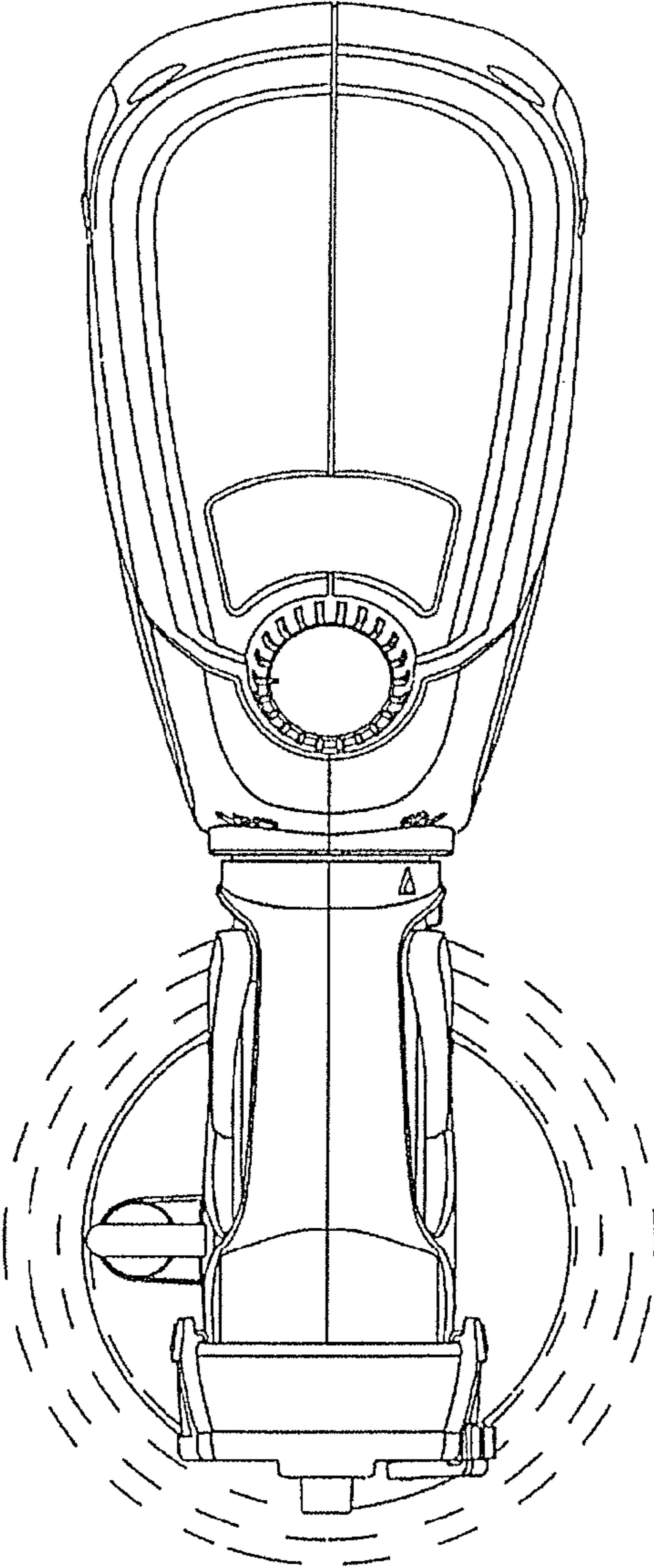


FIG. 7

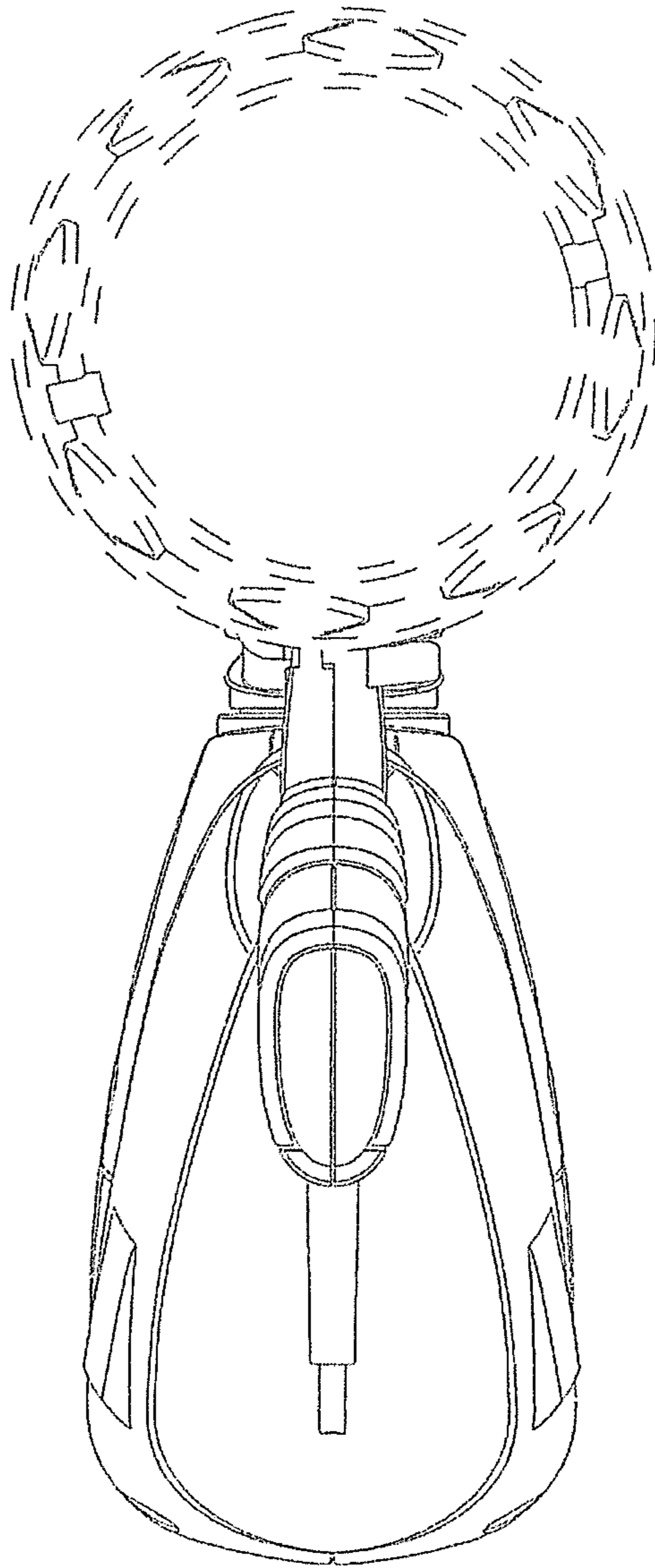


FIG. 8