



US00D713498S

(12) **United States Design Patent**
Schoenherr et al.

(10) **Patent No.:** **US D713,498 S**
(45) **Date of Patent:** **** Sep. 16, 2014**

(54) **HANSHOWER**

D660,402 S * 5/2012 Flowers et al. D23/223
D669,156 S 10/2012 Schoenherr et al.
D694,361 S * 11/2013 Schoenherr et al. D23/223

(71) Applicant: **Hansgrohe SE**, Schiltach (DE)

(72) Inventors: **Tom Schoenherr**, Stuttgart (DE);
Matthias Oesterle, Winterbach (DE)

FOREIGN PATENT DOCUMENTS

CN 302093352 9/2012
CN 302256177 12/2012
WO DM/078261 5/2012

(73) Assignee: **Hansgrohe SE**, Schiltach (DE)

(**) Term: **14 Years**

OTHER PUBLICATIONS

(21) Appl. No.: **29/466,048**

Brochure, ECH Shower 2010, 6 pgs., Foshan Ech Sanitary Ware Co., Ltd., Foshan City, Guangdong, China, at least as early as May 26, 2010.

(22) Filed: **Sep. 4, 2013**

Brochure, Huale Shower 2010, 4 pgs., Zhejiang Yuhuan Huale Appliances Co., Ltd., Zhejiang Province, China, at least as early as May 26, 2010.

(30) **Foreign Application Priority Data**

Mar. 7, 2013 (EM) 001363584-0001

* cited by examiner

(51) **LOC (10) Cl.** **23-01**

Primary Examiner — Robin V Webster

(52) **U.S. Cl.**
USPC **D23/223**

(74) *Attorney, Agent, or Firm* — Lora J. Graentzdoerffer

(58) **Field of Classification Search**
CPC B05B 1/00; B05B 1/18
USPC D23/213, 223, 229, 230; 4/615;
239/282, 283
See application file for complete search history.

(57) **CLAIM**

The ornamental design for a handshower, as shown and described.

DESCRIPTION

(56) **References Cited**

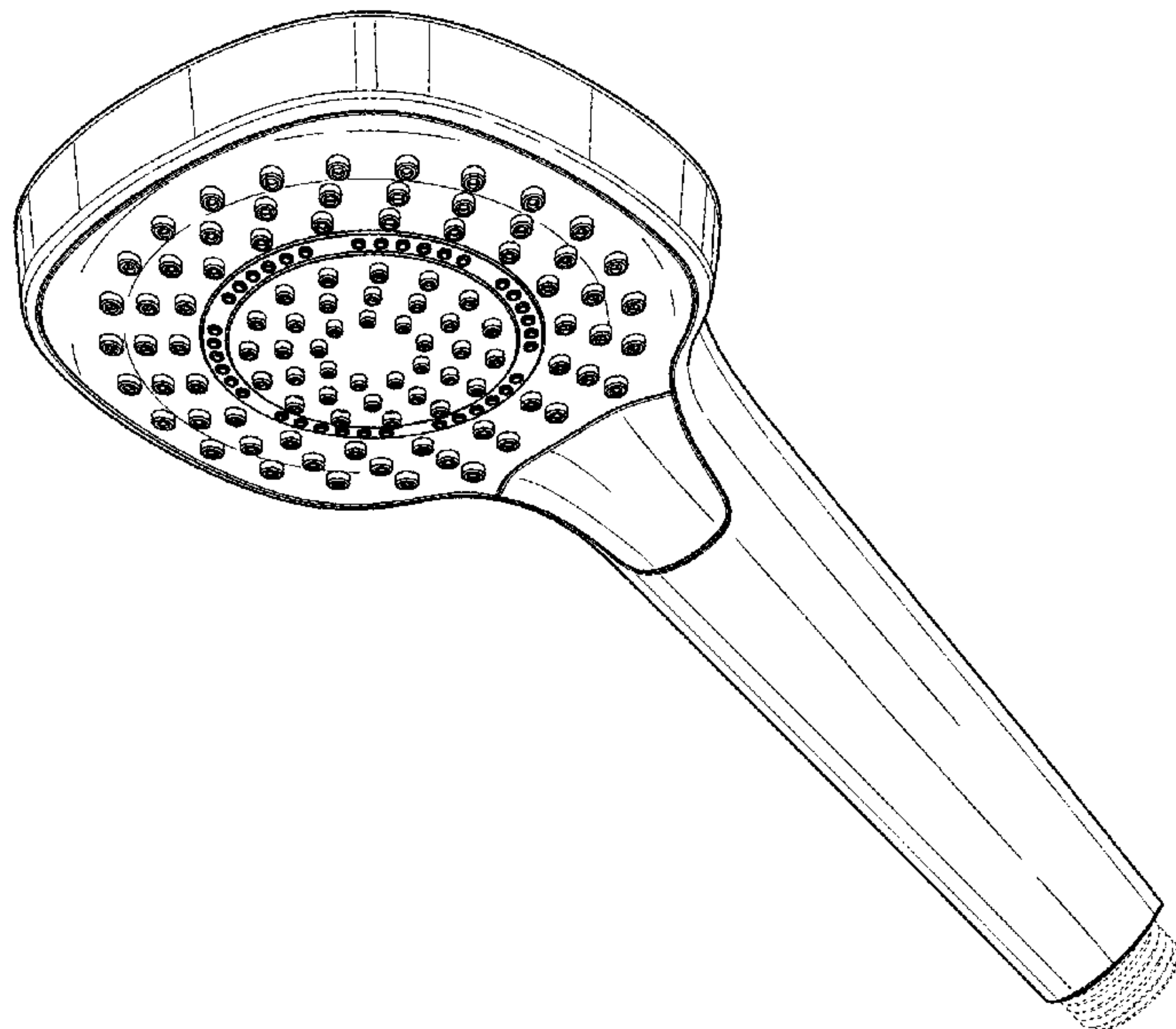
U.S. PATENT DOCUMENTS

D590,916 S 4/2009 Schoenherr et al.
D590,917 S 4/2009 Schoenherr et al.
D654,983 S * 2/2012 Schoenherr et al. D23/223
D654,984 S * 2/2012 Schoenherr et al. D23/223
D655,386 S * 3/2012 Schoenherr et al. D23/223
D655,387 S * 3/2012 Schoenherr et al. D23/223
D655,390 S * 3/2012 Schoenherr et al. D23/223
D655,783 S * 3/2012 Schoenherr et al. D23/223
D659,795 S * 5/2012 Flowers et al. D23/223

FIG. 1 is a perspective view of a handshower showing our design;
FIG. 2 is a front elevational view thereof;
FIG. 3 is a rear elevational view thereof;
FIG. 4 is a left side elevational view thereof;
FIG. 5 is a right side elevational view thereof;
FIG. 6 is a top plan view thereof; and,
FIG. 7 is a bottom plan view thereof.

The broken-line disclosure in the views represents portions of the article in which the claimed design is embodied, but which form no part of the claimed design.

1 Claim, 7 Drawing Sheets



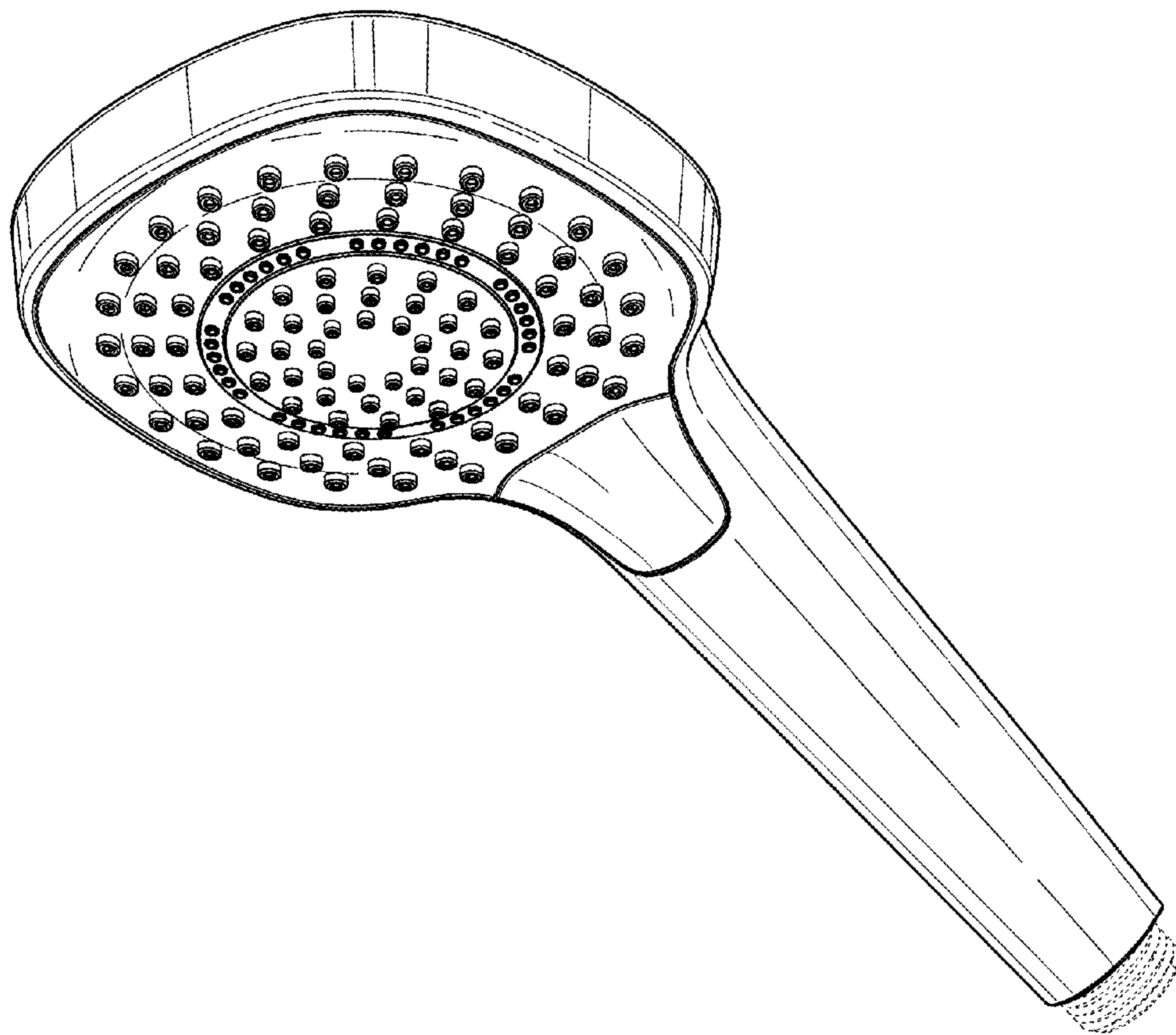


FIG. 1

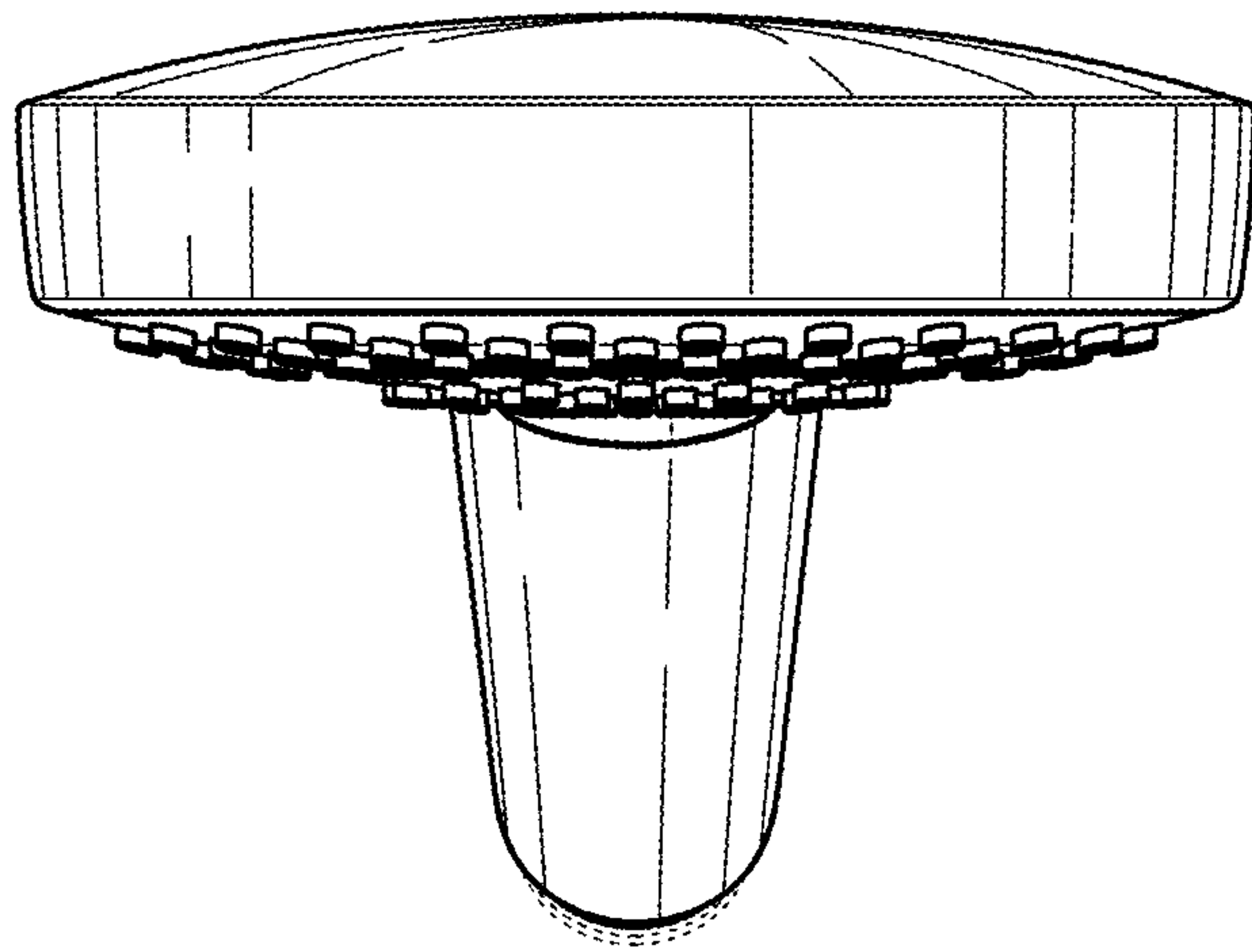


FIG. 2

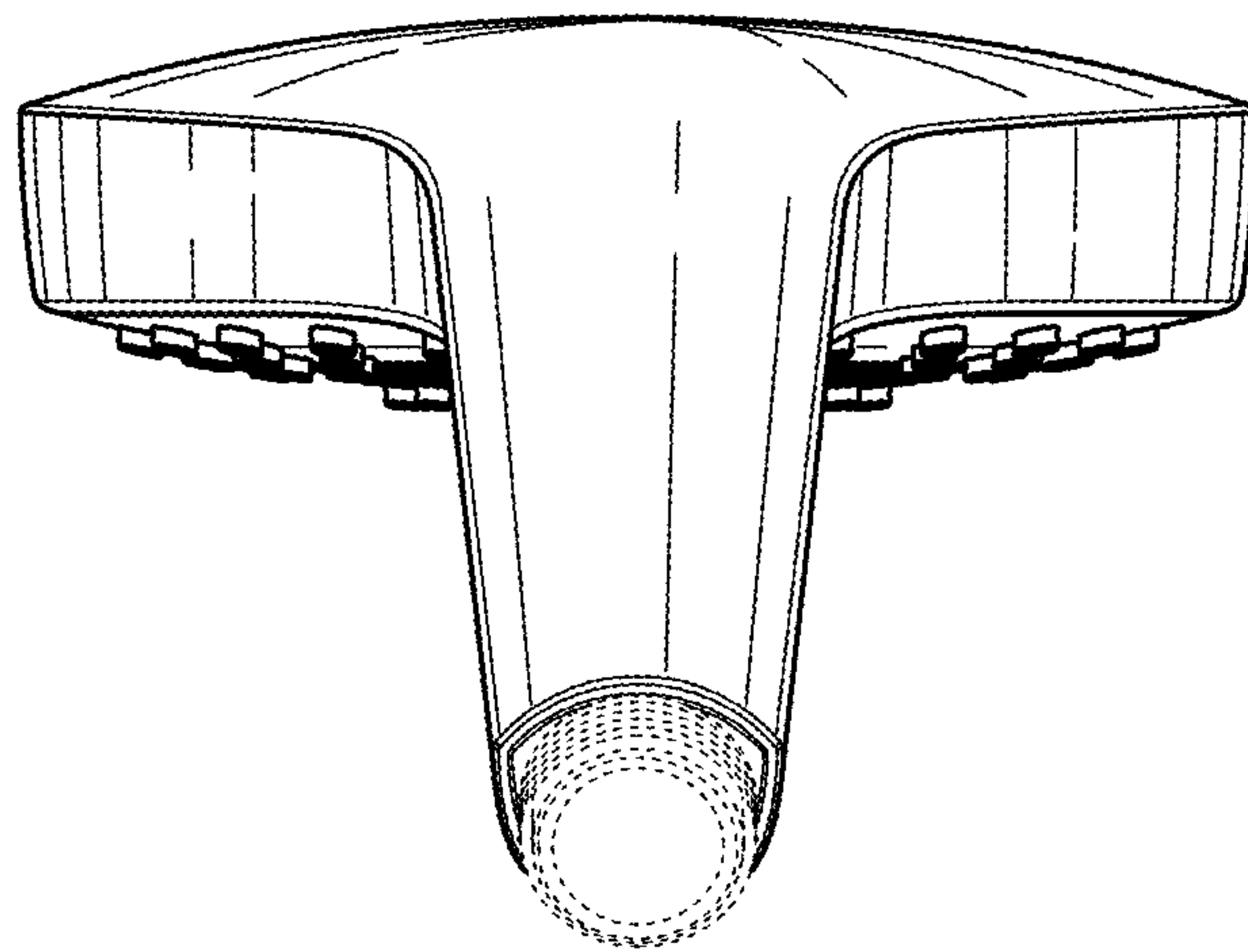


FIG. 3

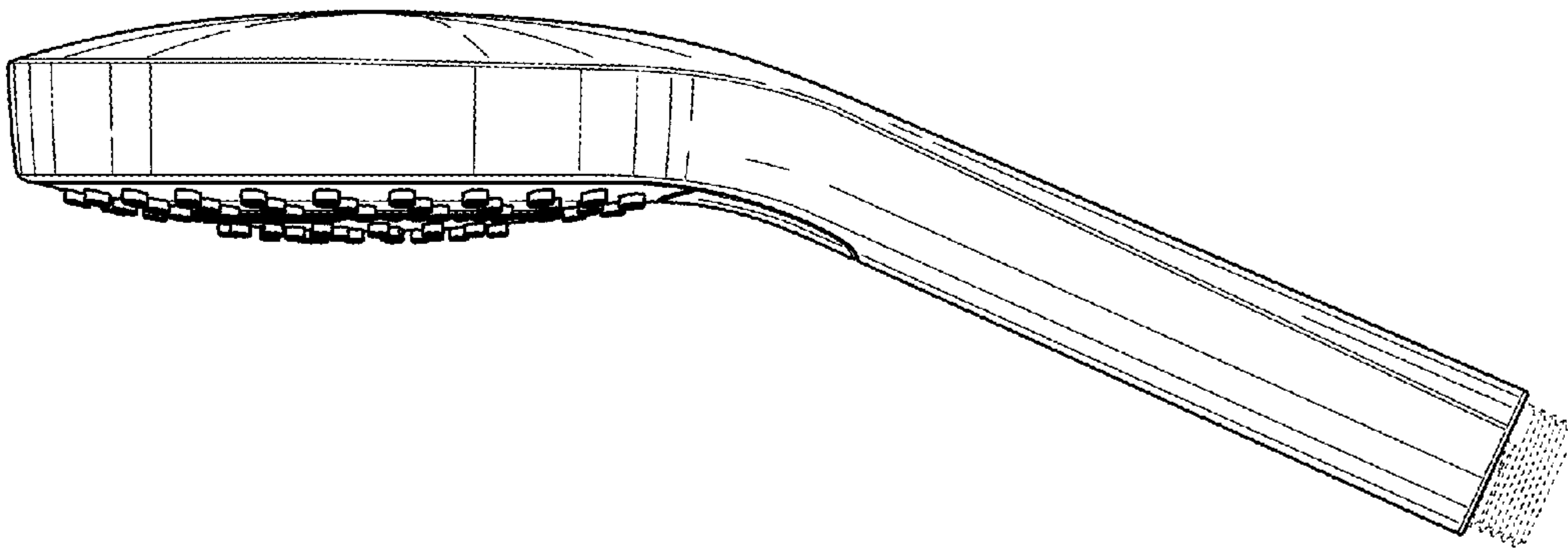


FIG. 4

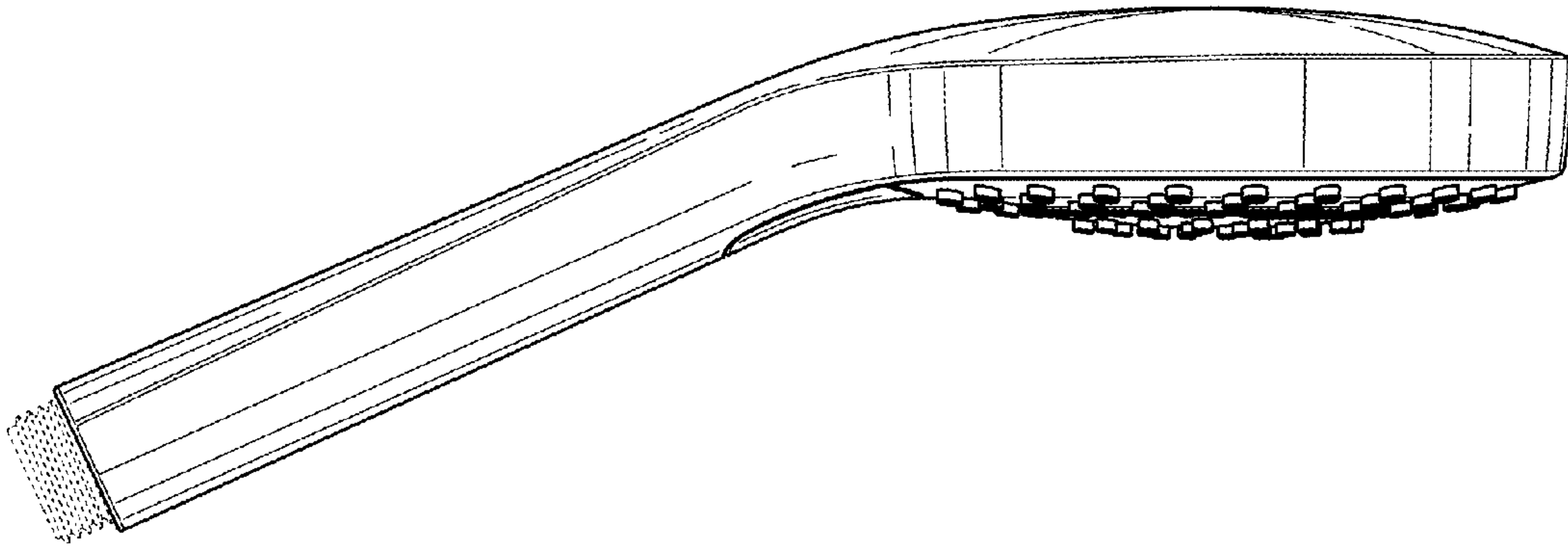


FIG. 5

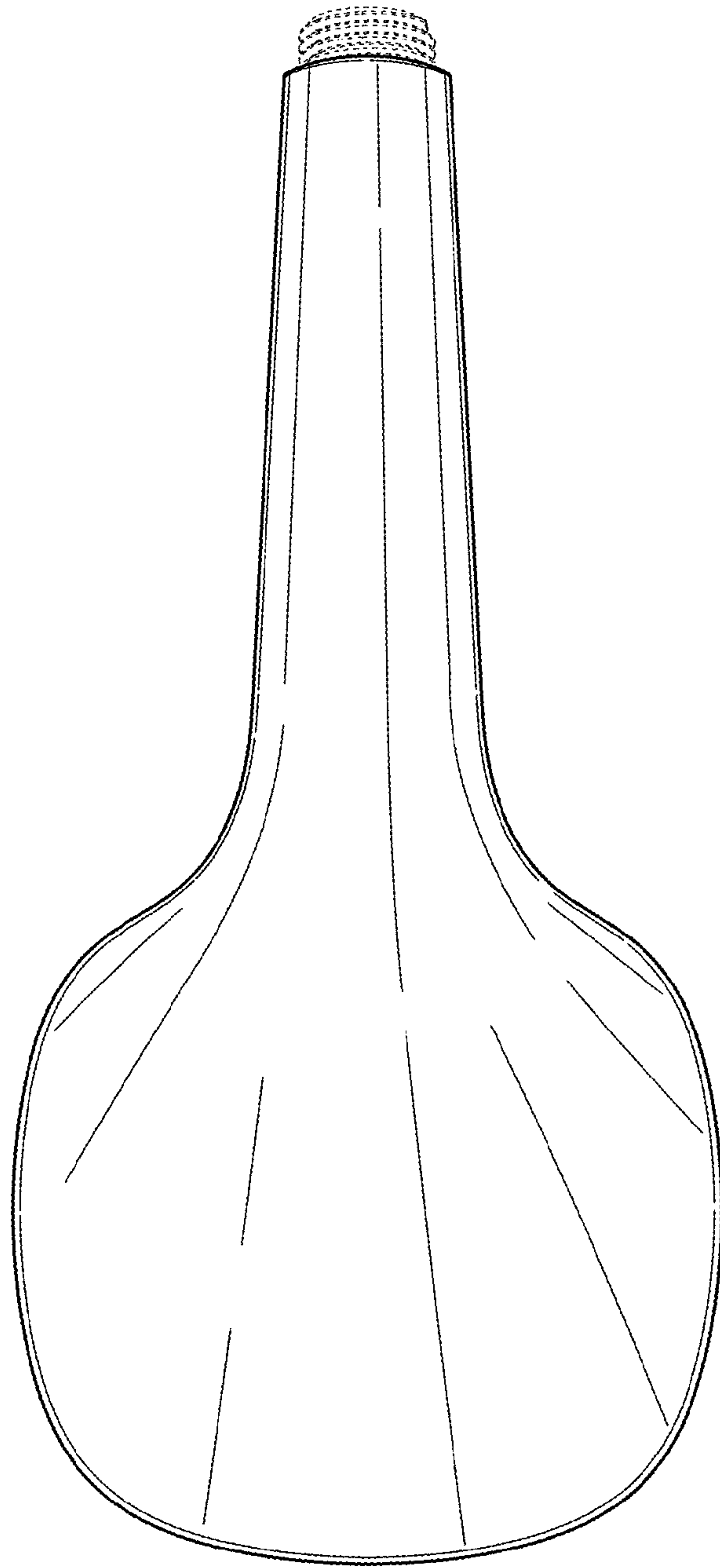


FIG. 6

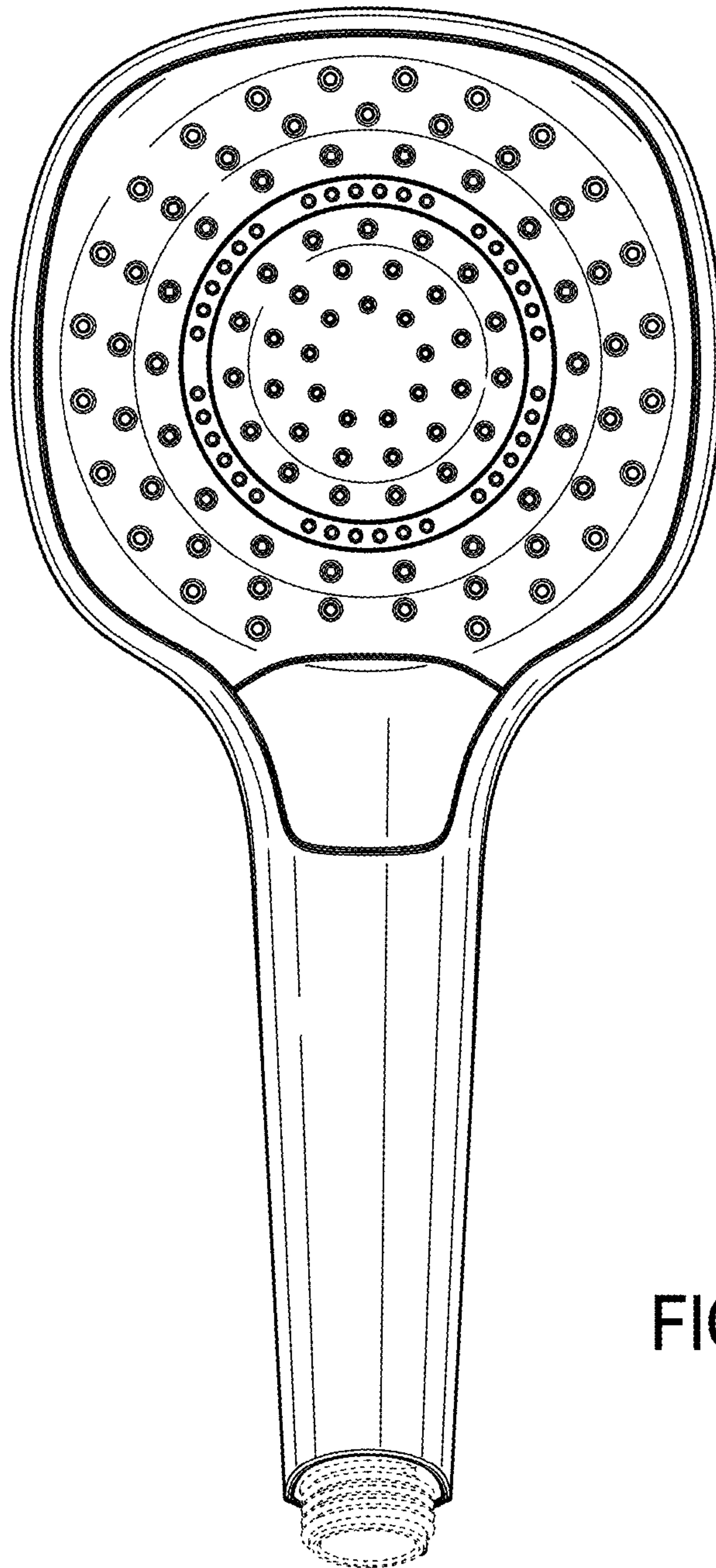


FIG. 7