



US00D713496S

(12) **United States Design Patent**
Schoenherr et al.

(10) **Patent No.:** **US D713,496 S**

(45) **Date of Patent:** **** Sep. 16, 2014**

(54) **OVERHEAD SHOWER**

(71) Applicant: **Hansgrohe SE**, Schiltach (DE)

(72) Inventors: **Tom Schoenherr**, Stuttgart (DE);
Matthias Oesterle, Winterbach (DE)

(73) Assignee: **Hansgrohe SE**, Schiltach (DE)

(**) Term: **14 Years**

(21) Appl. No.: **29/466,067**

(22) Filed: **Sep. 4, 2013**

(30) **Foreign Application Priority Data**

Mar. 7, 2013 (EM) 001363584-0010

(51) **LOC (10) Cl.** **23-01**

(52) **U.S. Cl.**
USPC **D23/213**

(58) **Field of Classification Search**
CPC B05B 1/00; B05B 1/18
USPC D23/213, 223, 229, 230; 4/615;
239/282, 283
See application file for complete search history.

(56) **References Cited**

U.S. PATENT DOCUMENTS

D492,008 S 6/2004 Haug et al.
D496,987 S 10/2004 Glunk
D562,937 S * 2/2008 Schonherr et al. D23/213
D576,251 S * 9/2008 Schonherr et al. D23/213
D604,802 S * 11/2009 Schoenherr et al. D23/213
D604,803 S 11/2009 Schoenherr et al.

D607,970 S 1/2010 Schoenherr et al.
D651,281 S * 12/2011 Lobermeier et al. D23/213
D669,962 S 10/2012 Schoenherr et al.
D694,358 S * 11/2013 Schoenherr et al. D23/213
D694,359 S * 11/2013 Schoenherr et al. D23/213
D707,328 S * 6/2014 Schoenherr et al. D23/213

OTHER PUBLICATIONS

Brochure—Hanshun iX, 6 pgs., Kaiping Hanshun Sanitary Ware Industrial Co., Ltd., Kaiping City, GD, China, at least as early as Apr. 24, 2012.

Brochure—Soft, 4 pgs., Zucchetti Rubinetteria S.p.A., Gozzano, Italy, at least as early as Sep. 27, 2005.

* cited by examiner

Primary Examiner — Robin V Webster

(74) *Attorney, Agent, or Firm* — Lora J. Graentzdoerffer

(57) **CLAIM**

The ornamental design for an overhead shower, as shown and described.

DESCRIPTION

FIG. 1 is a perspective view of an overhead shower showing our design;

FIG. 2 is a front elevational view thereof;

FIG. 3 is a rear elevational view thereof;

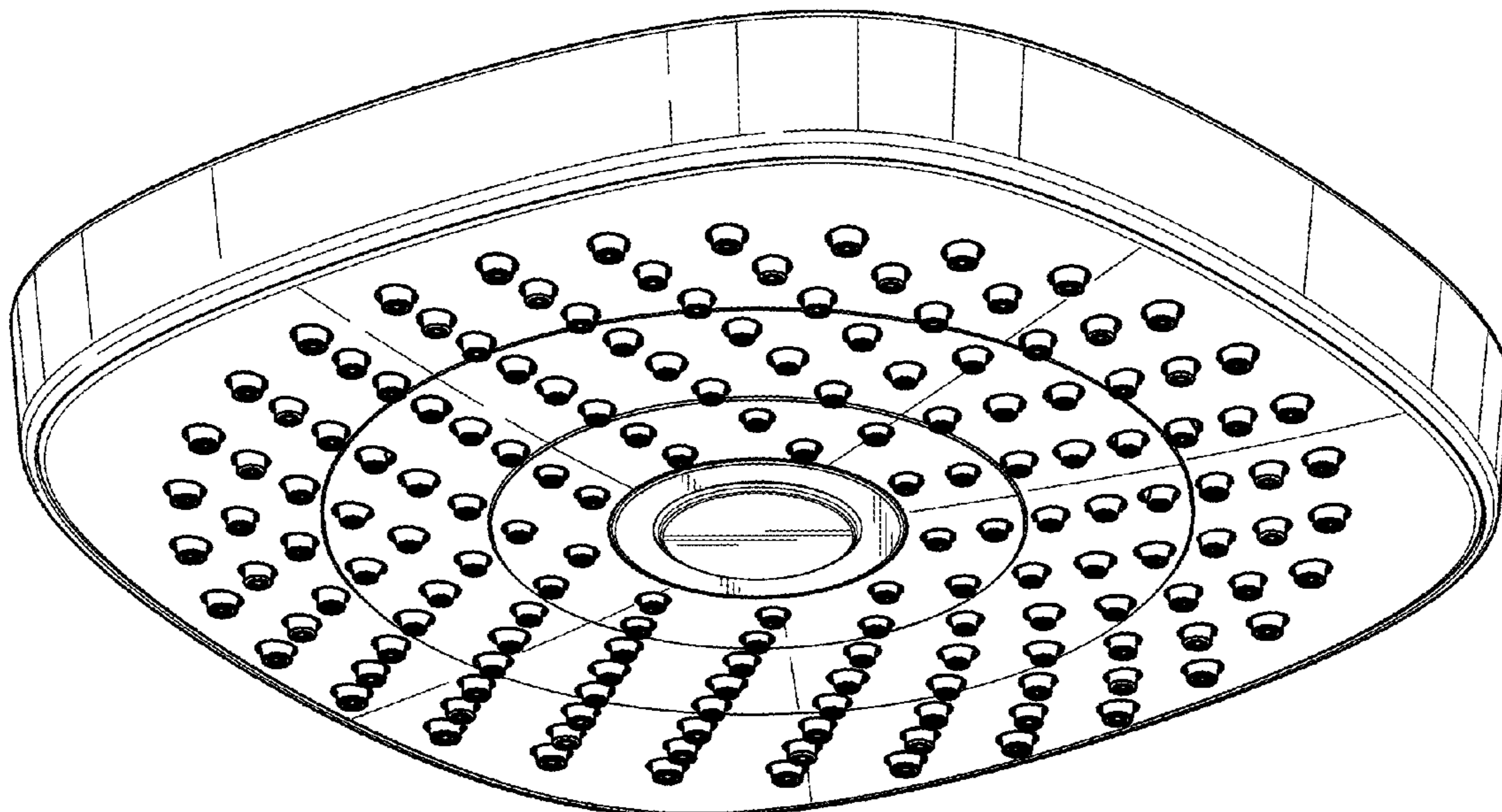
FIG. 4 is a left side elevational view thereof; the right side elevational view being a mirror image thereof;

FIG. 5 is a top plan view thereof; and,

FIG. 6 is a bottom plan view thereof.

The broken-line disclosure in the views represents portions of the article in which the claimed design is embodied, but which form no part of the claimed design.

1 Claim, 6 Drawing Sheets



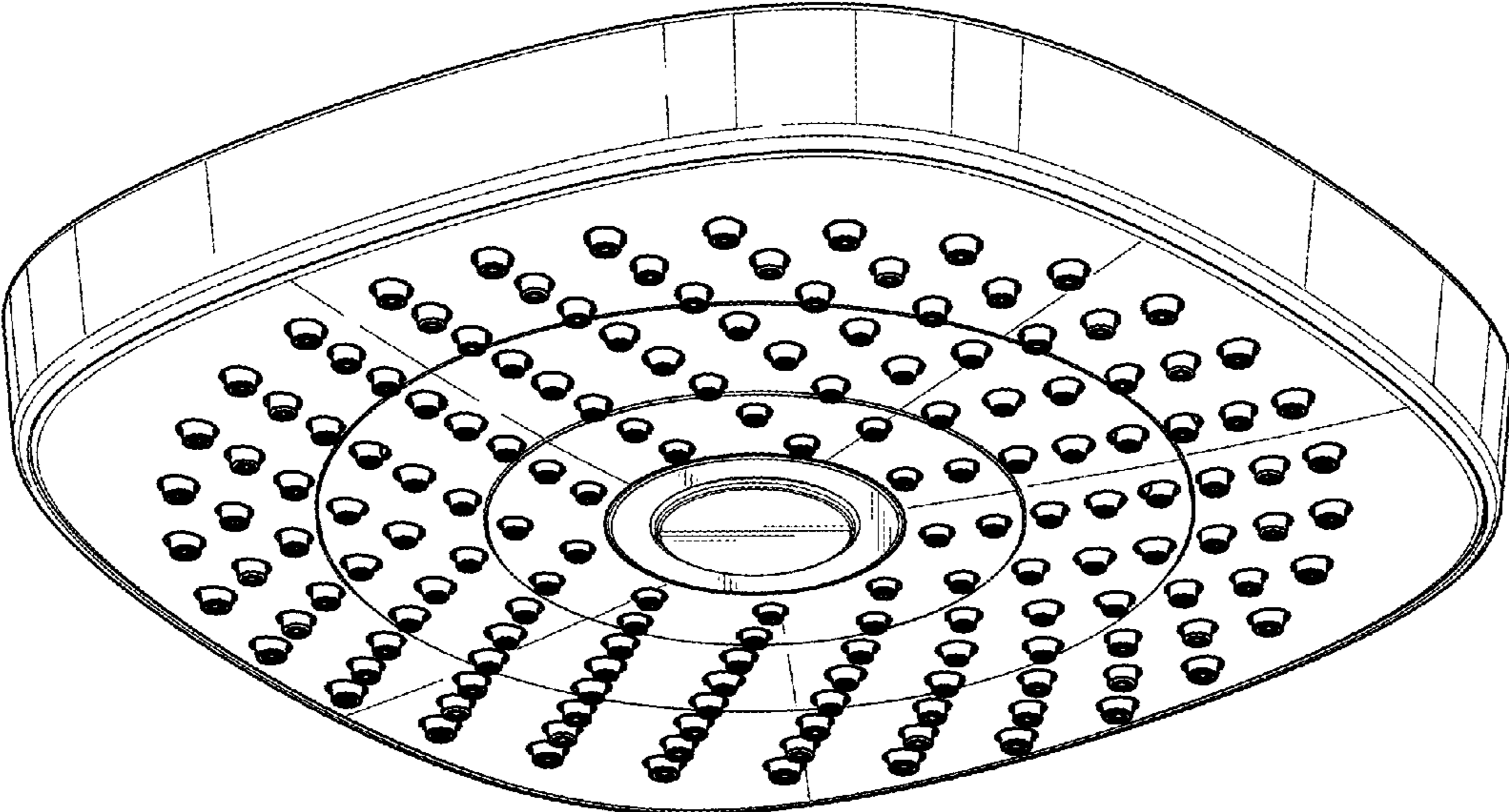


FIG. 1

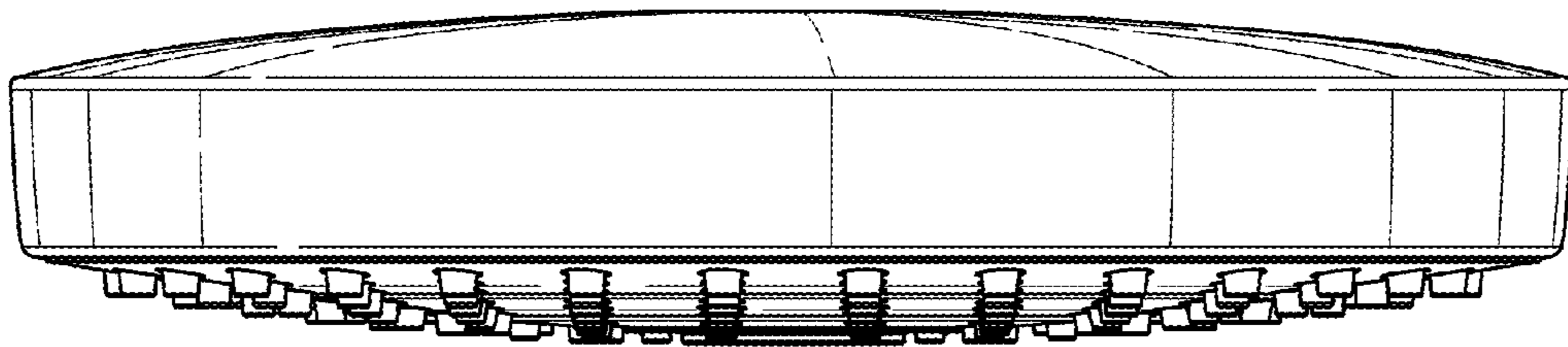


FIG. 2

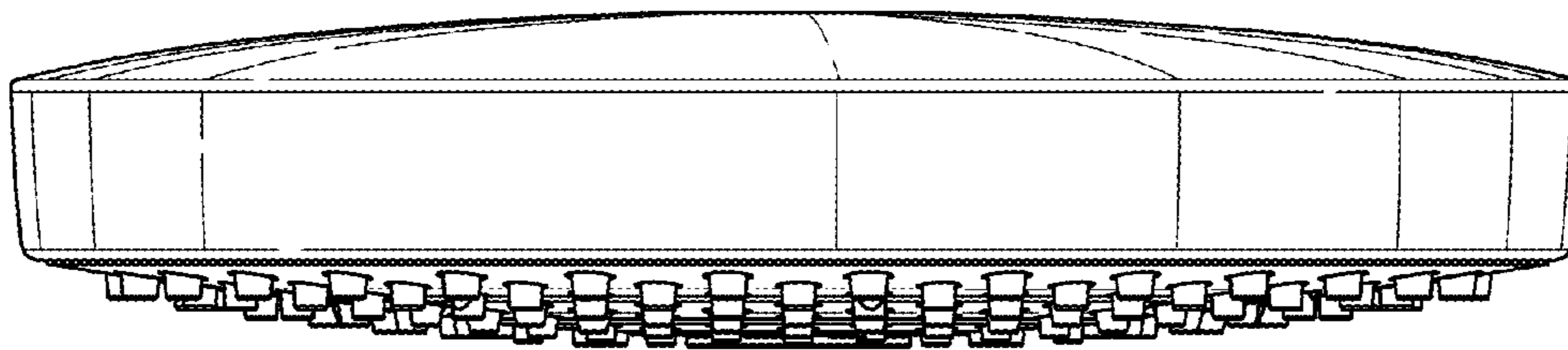


FIG. 3

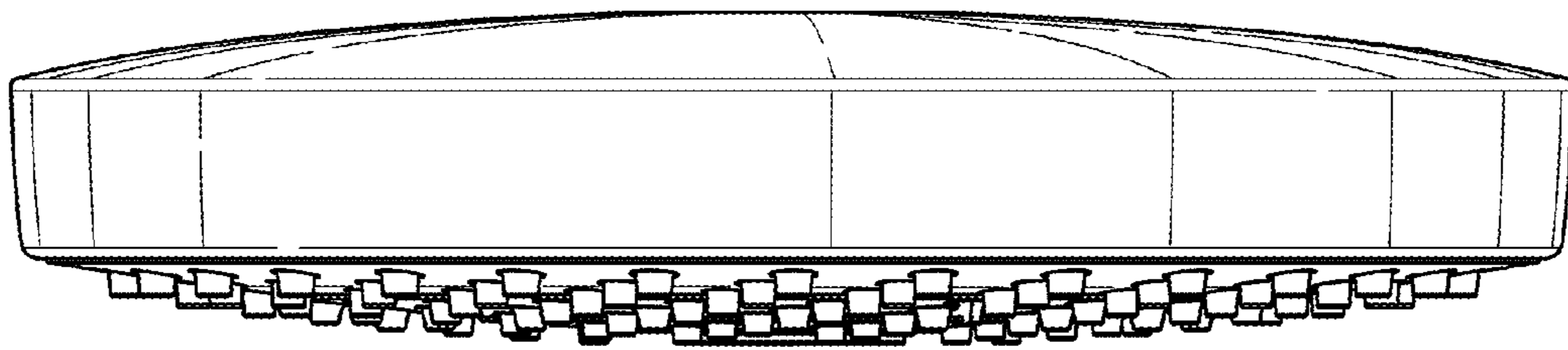


FIG. 4

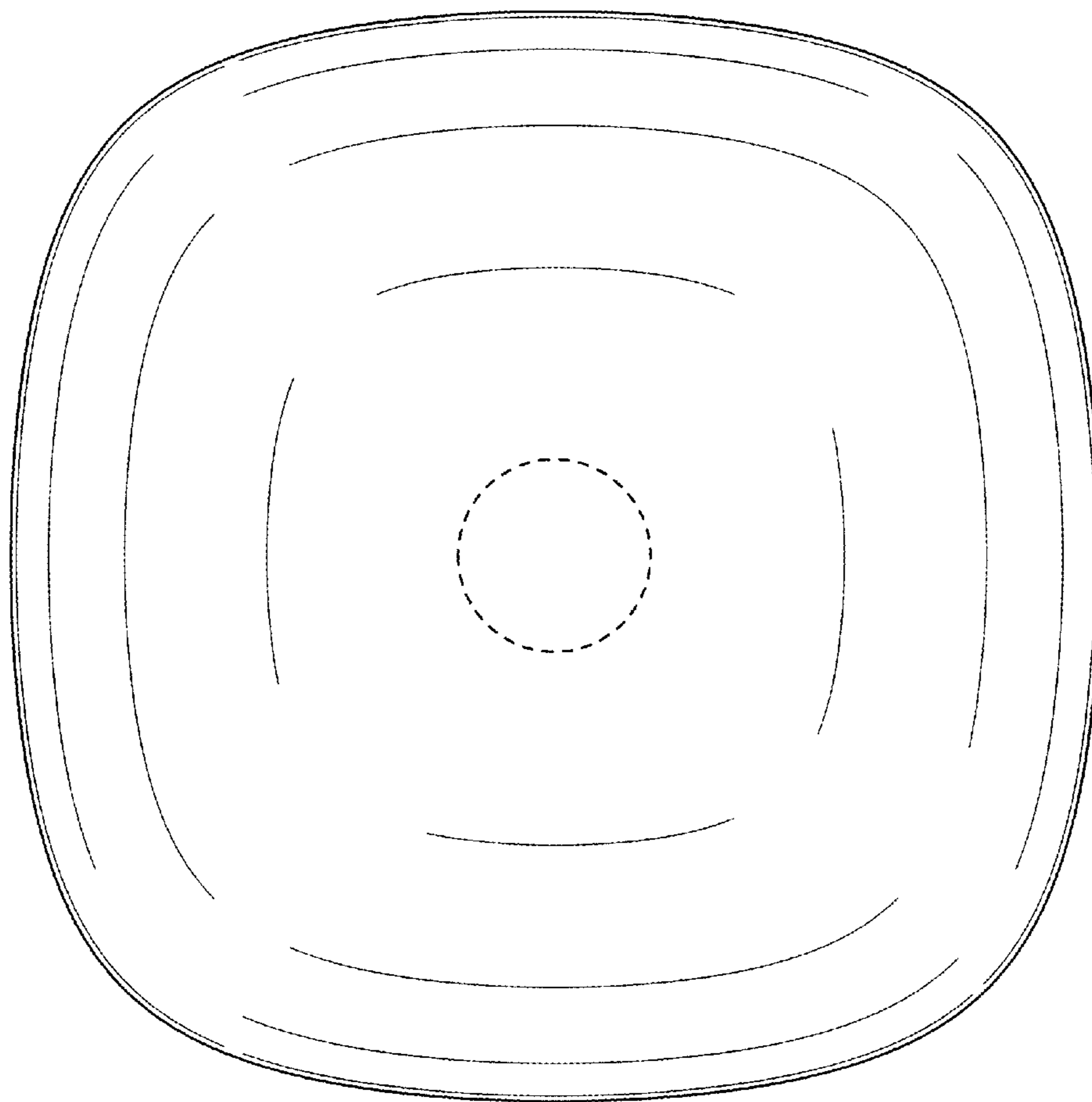


FIG. 5

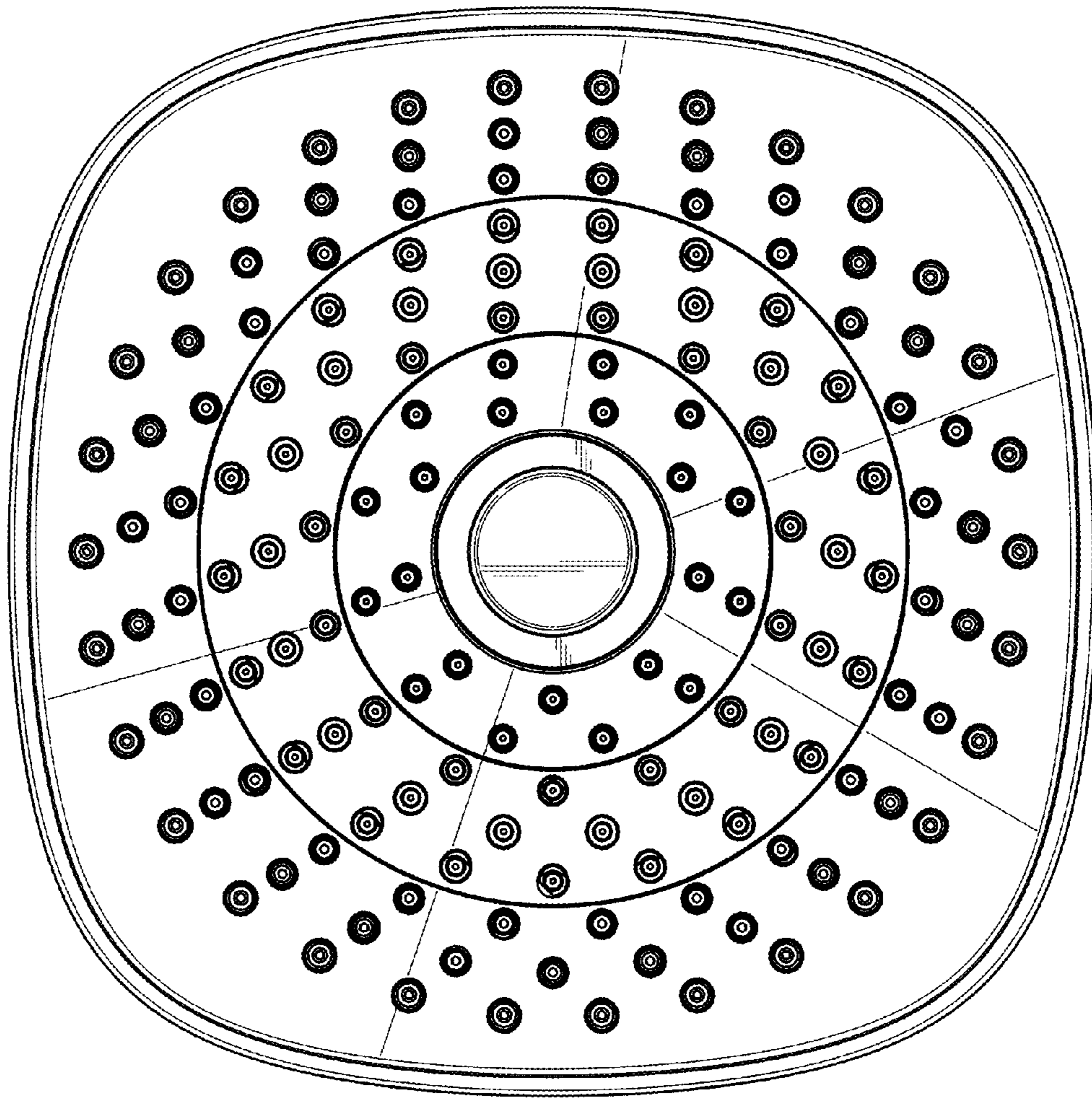


FIG. 6