



US00D713494S

(12) **United States Design Patent**
Sato

(10) **Patent No.:** **US D713,494 S**
(45) **Date of Patent:** **** Sep. 16, 2014**

(54) **SHOWERHEAD**

FOREIGN PATENT DOCUMENTS

(71) Applicant: **Hansgrohe SE**, Schiltach (DE)

EM 001351027-0001 9/2012
WO DM/079139 7/2012

(72) Inventor: **Oki Sato**, Tokyo (JP)

OTHER PUBLICATIONS

(73) Assignee: **Hansgrohe SE**, Schiltach (DE)

Brochure, ECH Shower 2010, 3 pgs., Foshan ECH Sanitary Ware Co., Ltd., Foshan City, Guangdong, China, at least as early as May 26, 2010.

(**) Term: **14 Years**

Brochure, Hanshun iX, 5 pgs., Kaiping Hanshun Sanitary Ware Industrial Co., Ltd, Kaiping City, GD, China, at least as early as May 23, 2012.

(21) Appl. No.: **29/464,939**

Brochure, bright showers, 3 pgs., Xiamen Bright Showers Co., Ltd., Xiamen, China, at least as early as May 23, 2012.

(22) Filed: **Aug. 22, 2013**

(30) **Foreign Application Priority Data**

* cited by examiner

Feb. 26, 2013 (EM) 001362438-0003

Primary Examiner — Robin V Webster

(51) **LOC (10) CL.** **23-01**

(74) *Attorney, Agent, or Firm* — Lora J. Graentzdoerffer

(52) **U.S. CL.**
USPC **D23/213**

(57) **CLAIM**

(58) **Field of Classification Search**
CPC B05B 1/28; B05B 1/00; B05B 1/18
USPC D23/213, 223, 229, 230, 227; 239/282,
239/283, 288, 288.5, 289; 4/615
See application file for complete search history.

The ornamental design for a showerhead, as shown and described.

DESCRIPTION

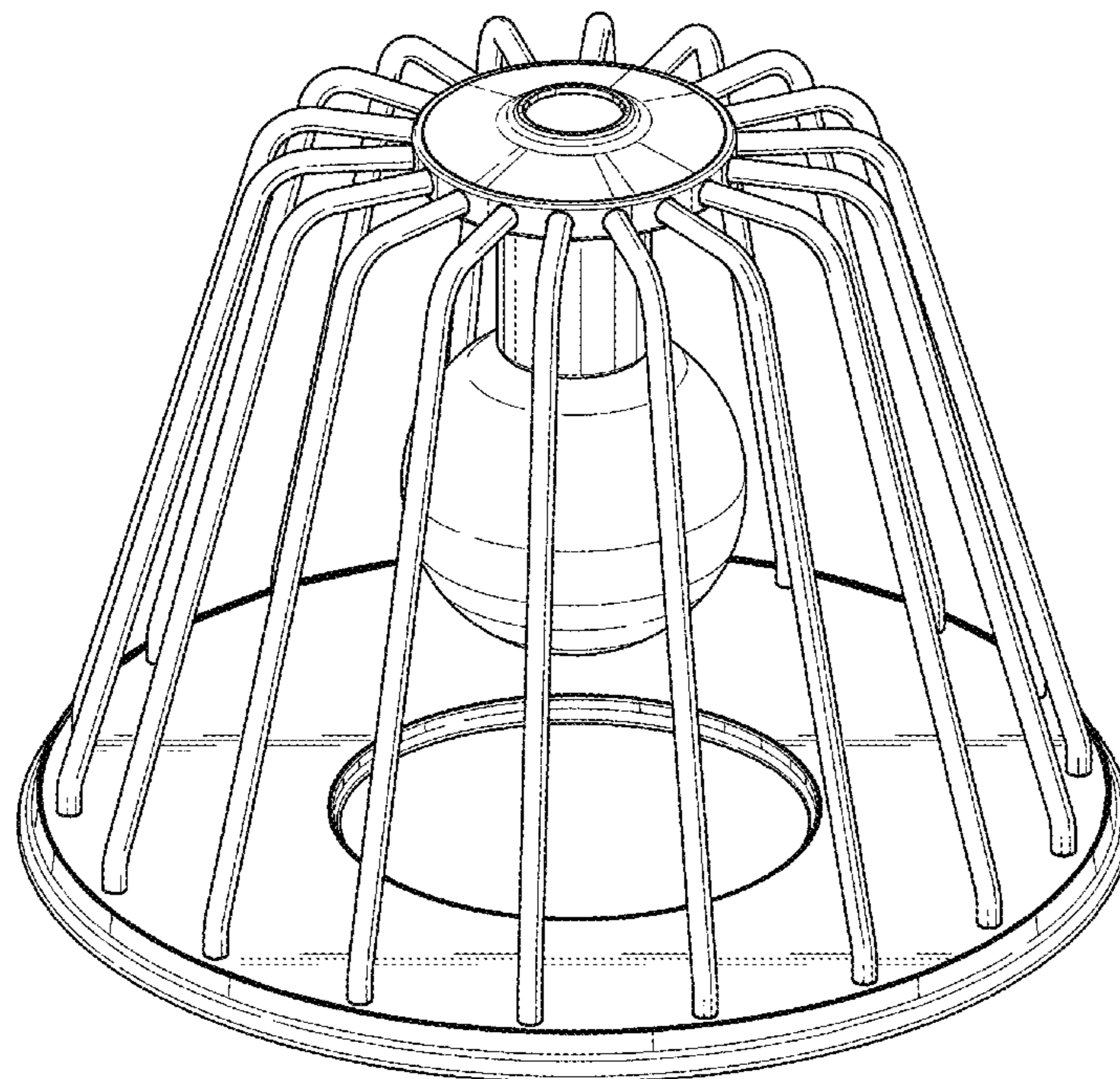
(56) **References Cited**

FIG. 1 is a perspective view of a showerhead showing my design;
FIG. 2 is a front elevational view thereof;
FIG. 3 is a rear elevational view thereof;
FIG. 4 is a left side elevational view thereof;
FIG. 5 is a right side elevational view thereof;
FIG. 6 is a top plan view thereof; and,
FIG. 7 is a bottom plan view thereof.

U.S. PATENT DOCUMENTS

3,514,040 A * 5/1970 Carson 239/288.5
4,272,022 A * 6/1981 Evans 239/107
D399,920 S * 10/1998 Bate D23/227
5,893,418 A * 4/1999 Ponte 169/37
D674,875 S 1/2013 Spangler

1 Claim, 7 Drawing Sheets



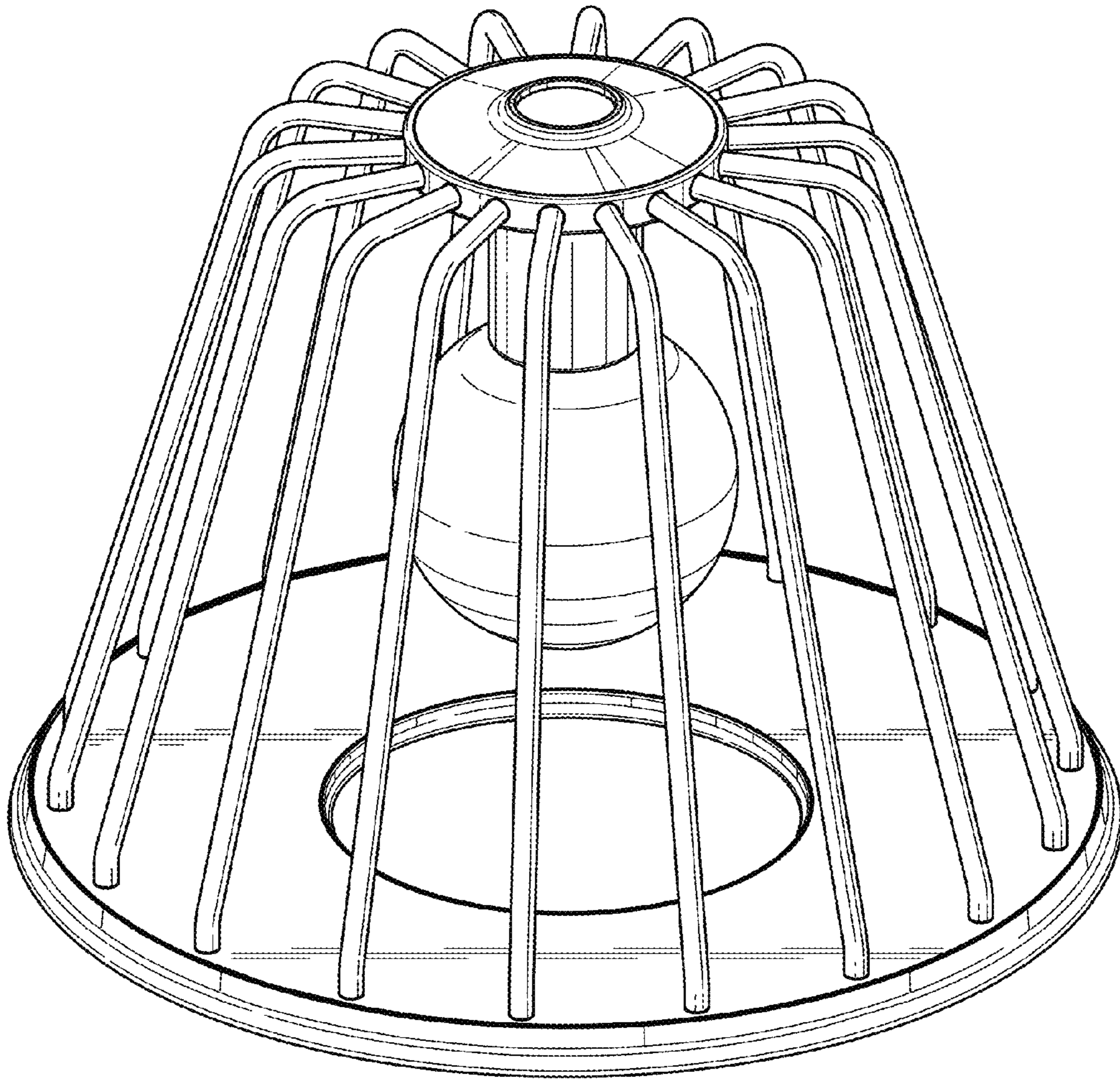


FIG. 1

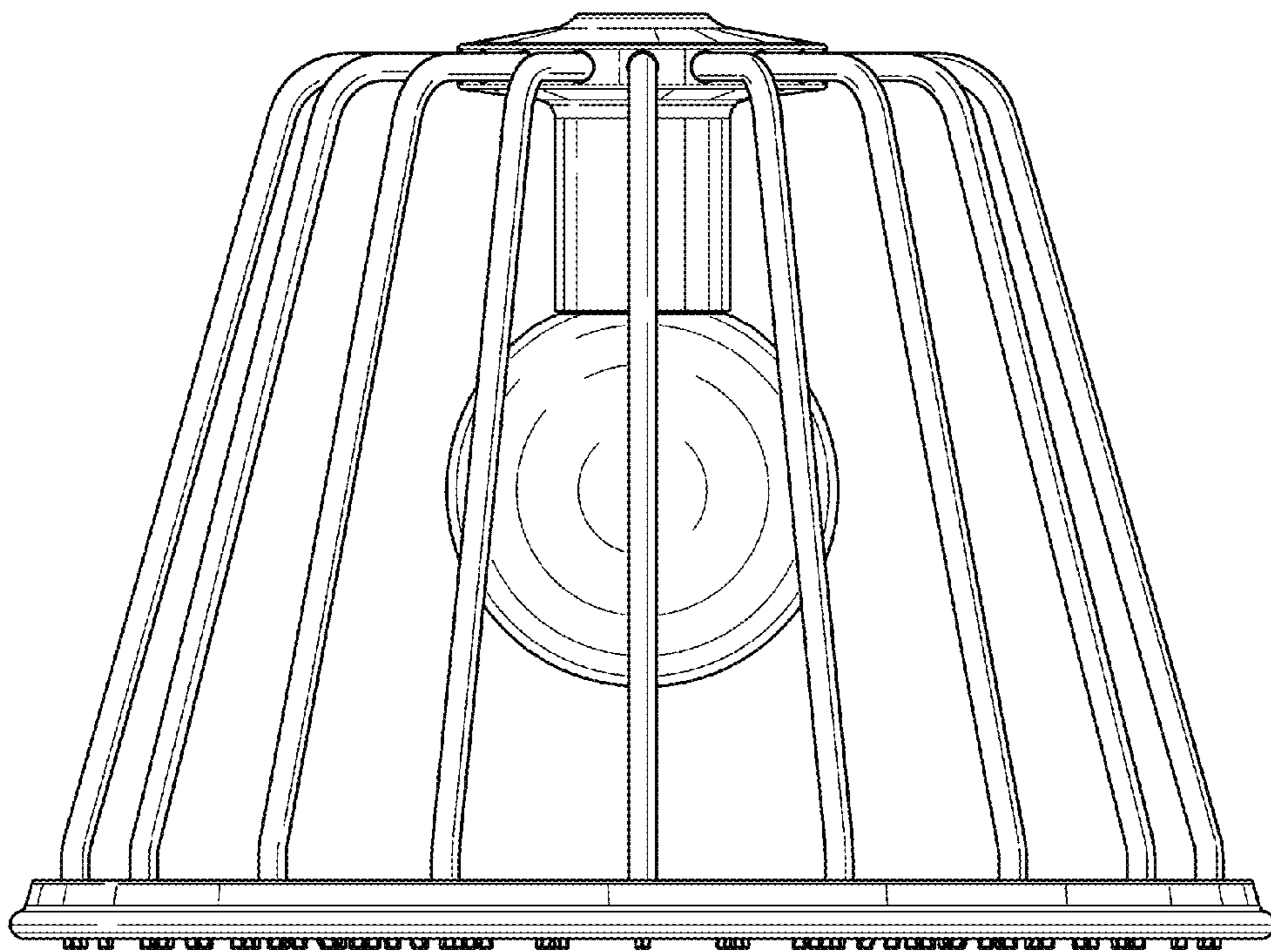


FIG. 2

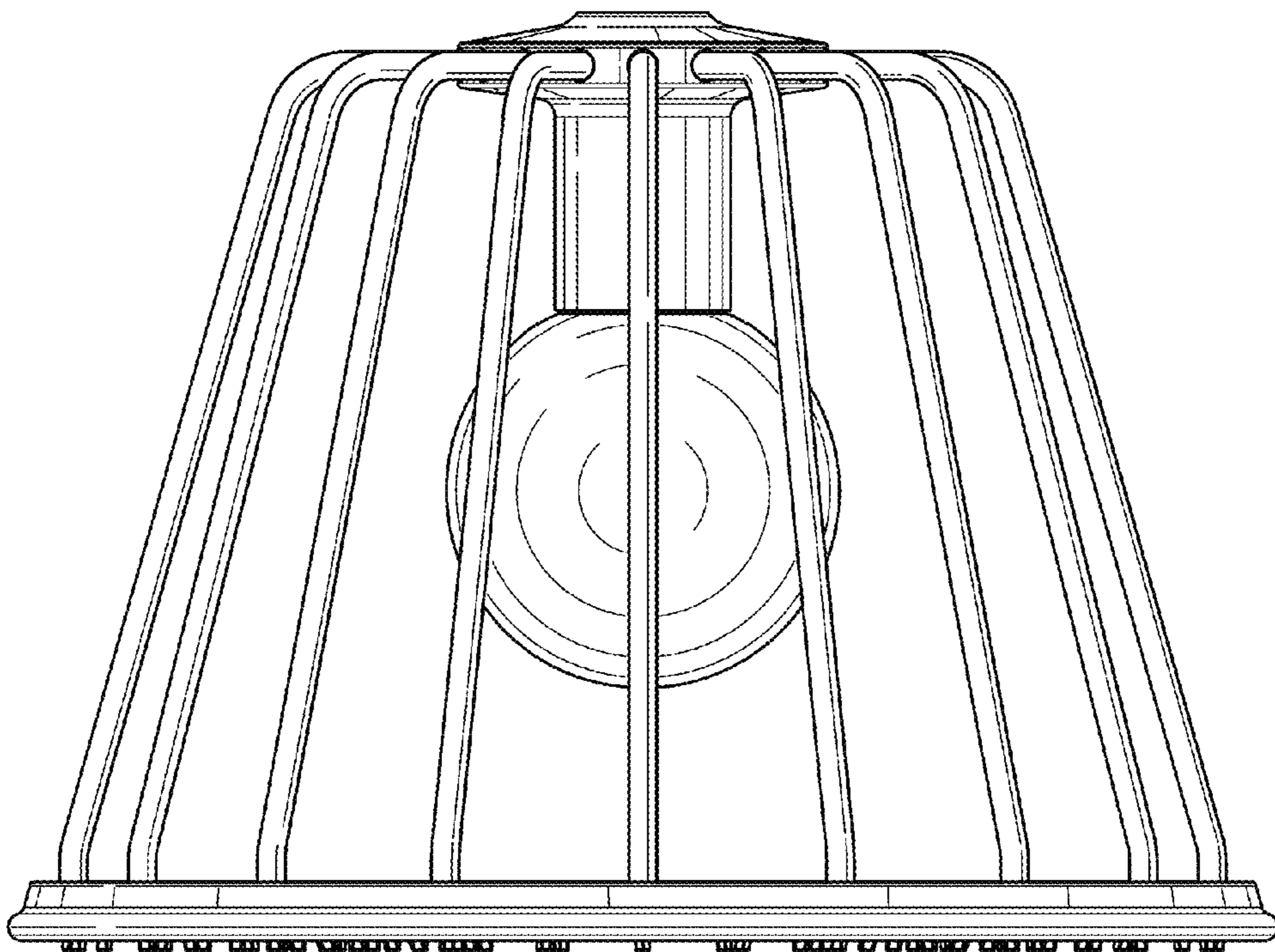


FIG. 3

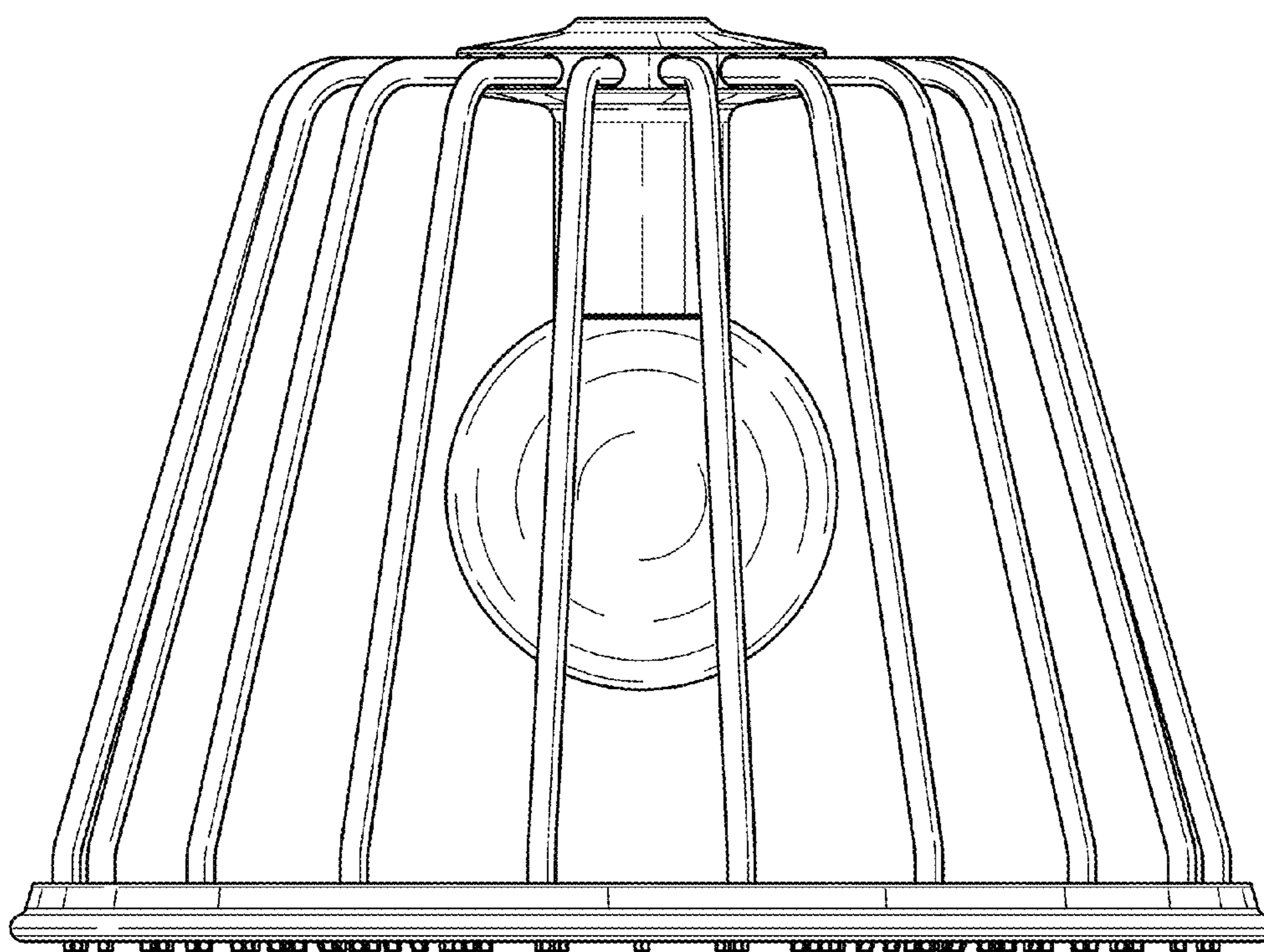


FIG. 4

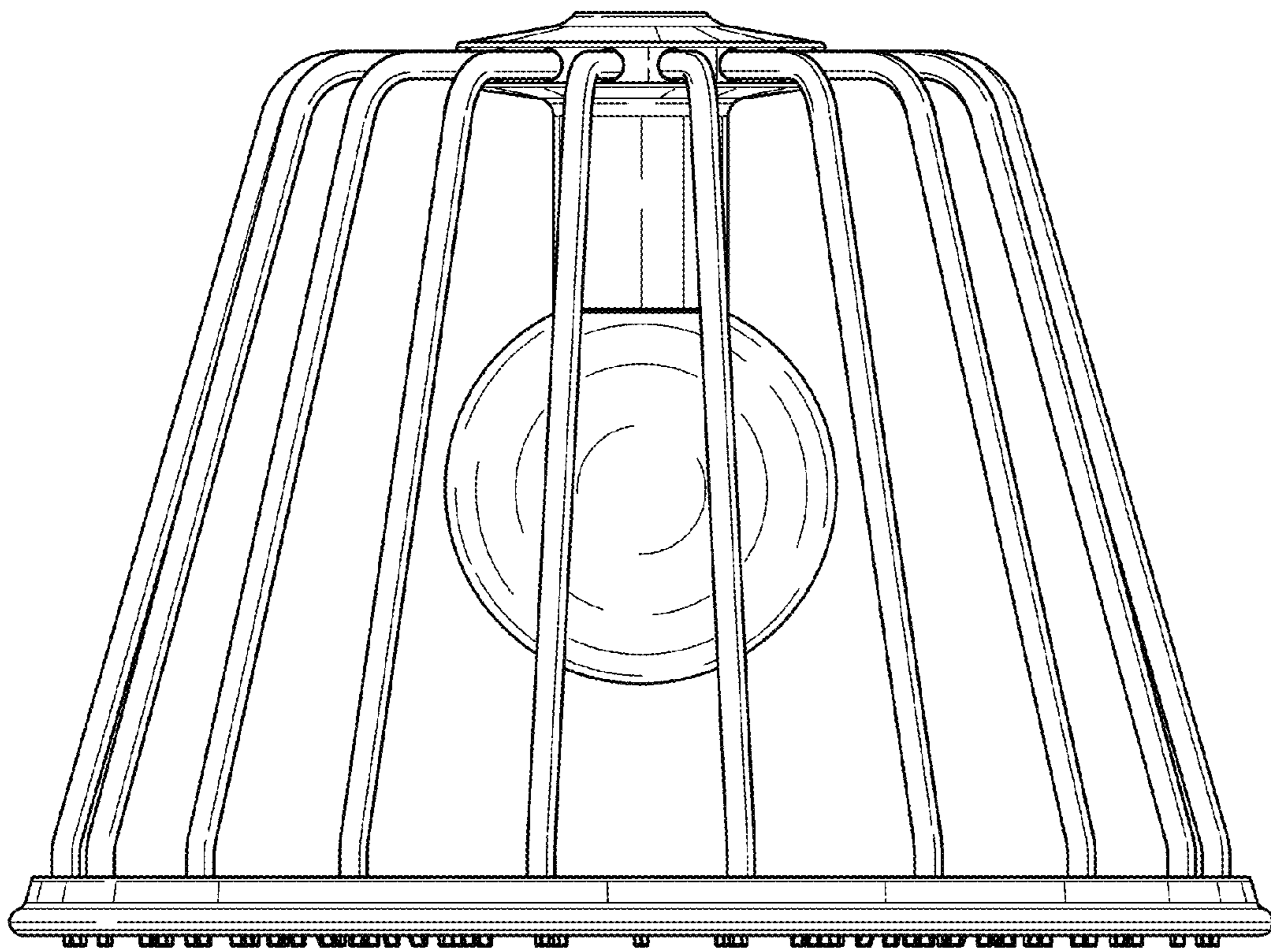


FIG. 5

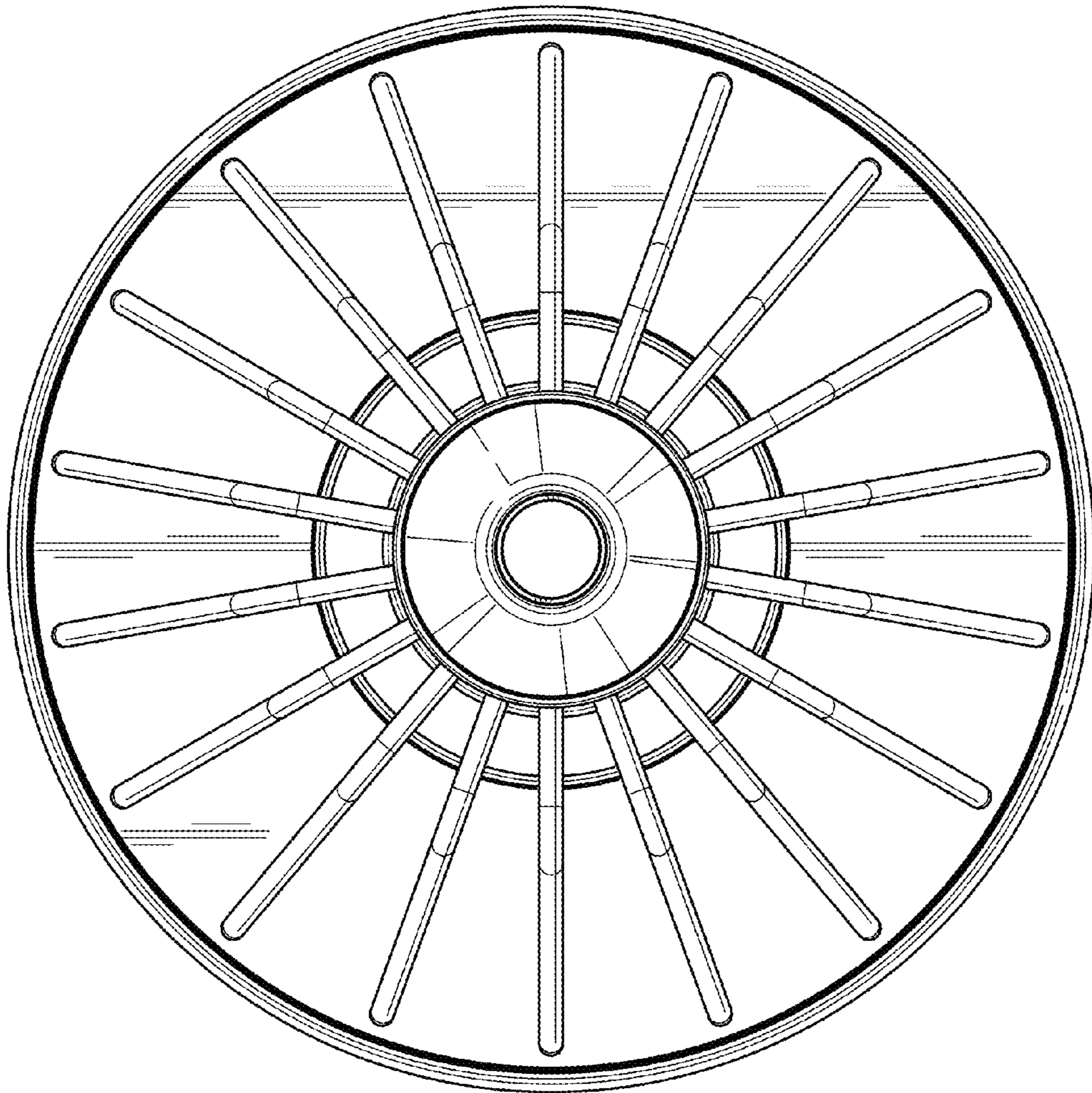


FIG. 6

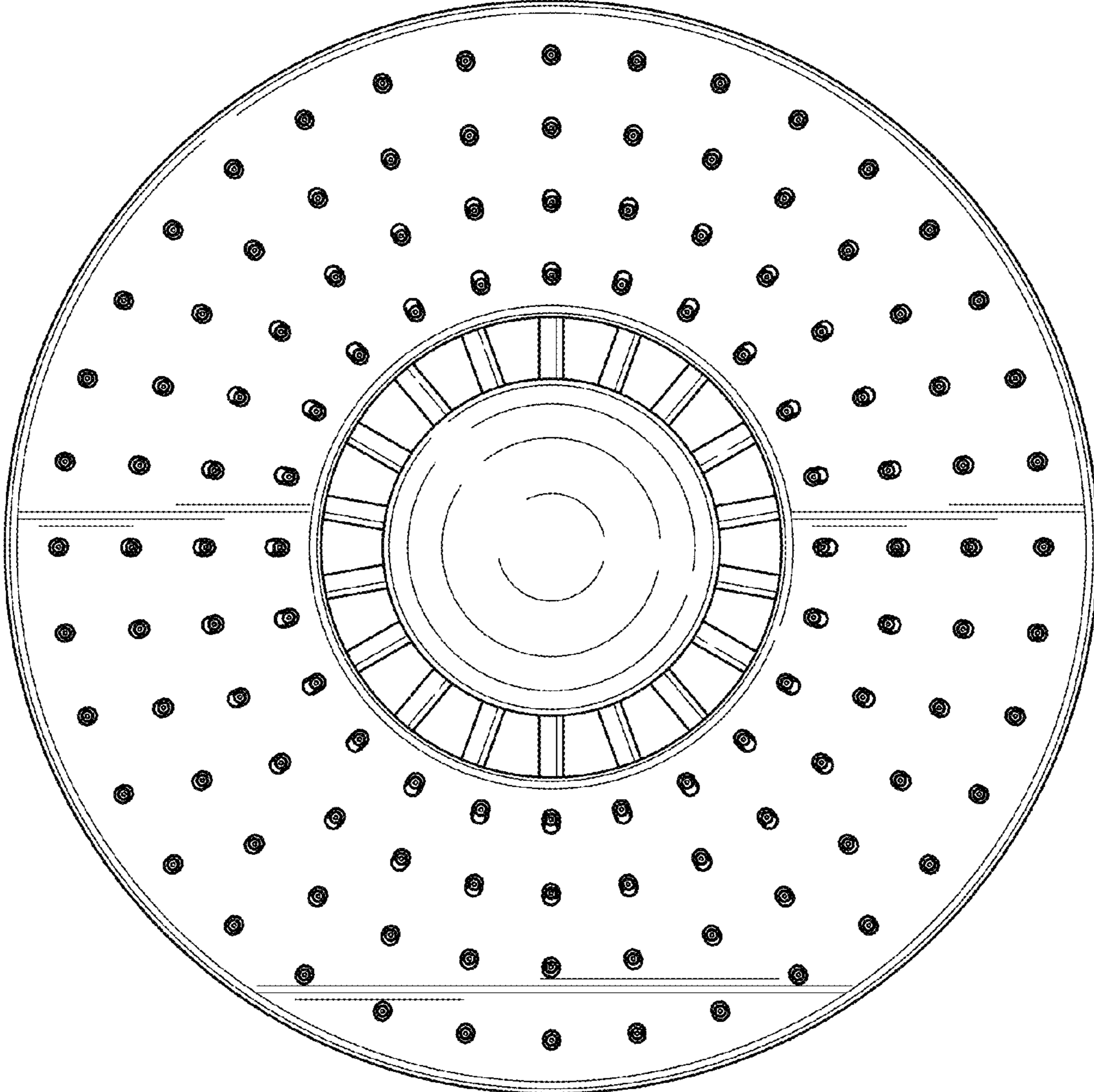


FIG. 7